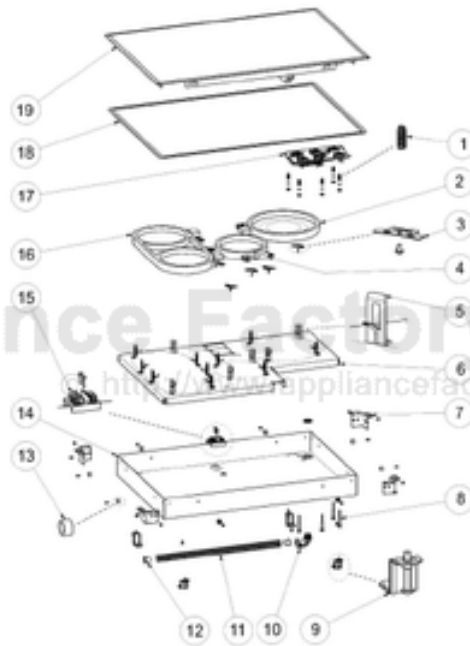


This Owner's Manual is provided and hosted by [Appliance Factory Parts](#).



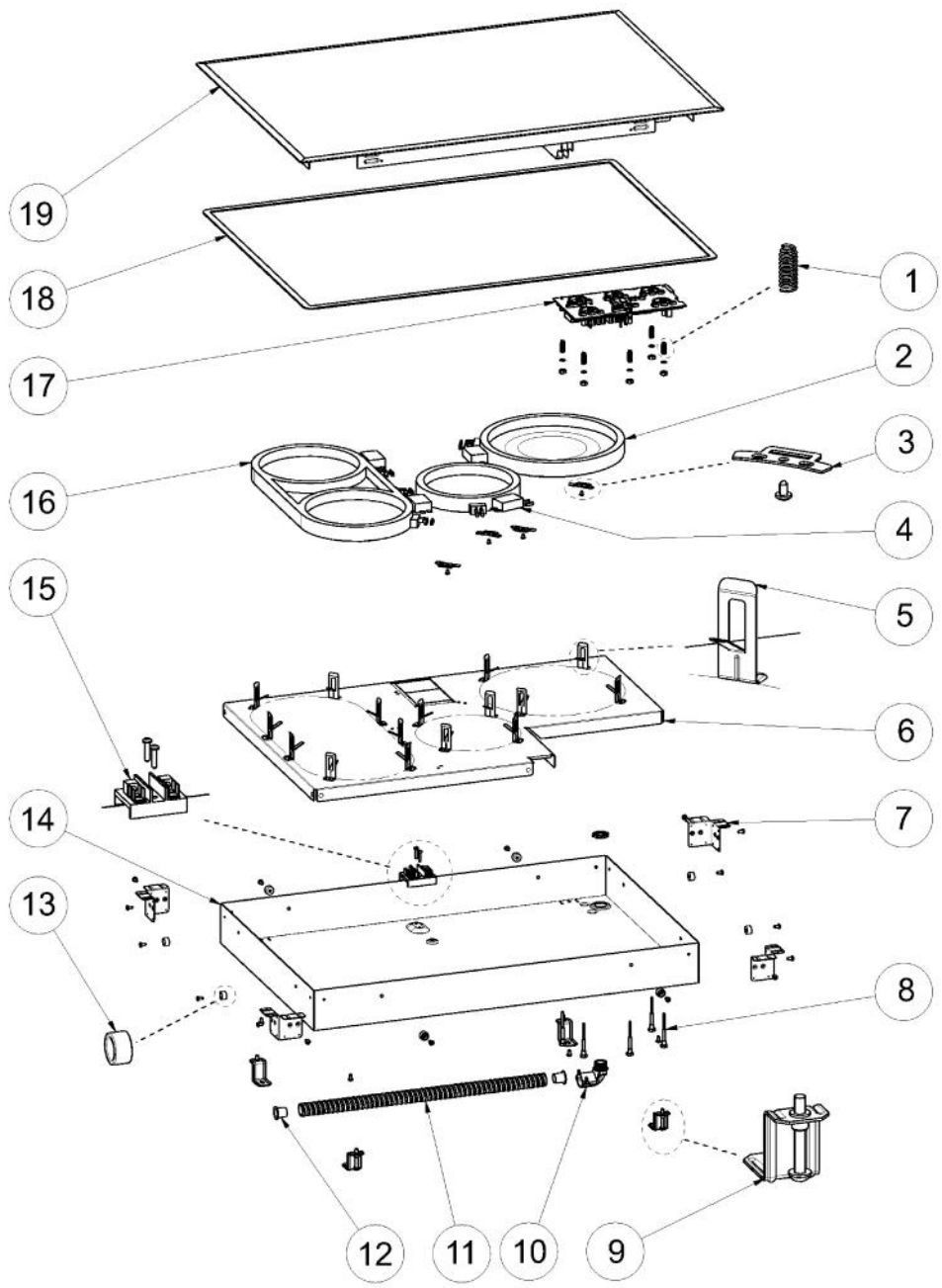
VIKING DETU200-4B Owner's Manual

[Shop genuine replacement parts for VIKING
DETU200-4B](#)



[Find Your VIKING Gas Range Parts - Select From 76 Models](#)

----- Manual continues below -----



Ref #	Part Number	Qty.	Description
1	022339-000	5	SPRING
2	022331-000	1	HEATING ELEMENT.255/185/125 H.LIGHT 240V
3	022319-000	4	LOCKING HOOK
4	022330-000	1	HEATING ELEMENT.155 H.LIGHT 240V
5	022320-000	16	SPRING CLIP, FIXING HEATING ELEMENT
6	022338-000	1	DOUBLE BOTTOM FOR CERAMIC COOKTOP TC 30
7	022322-000	4	SQUARE SUPPORT BOX
8	022323-000	4	SCREW FIXING ELECTRONIC CONTROL
9	022333-000	4	ASSEMBY BRACKET FIXING
10	022329-000	1	ANGLED CONNECTOR (POWER CABLE ASSY)
11	022327-000	1	CONDUIT FOR CABLES PROTECTION
12	022328-000	2	PLASTIC PROTECTION (POWER CABLE)
13	022321-000	1	SPACER FOR CERAMIC COOKTOP 30/36
14	022337-000	1	BOX FOR CERAMIC COOKTOP TC 30
15	022325-000	1	POWER TERMINAL BLOCK
16	022332-000	1	HEATING BRIDGE ELEMENT.175/175 H.LIGHT 240V
17	022326-000	1	ELECTRONIC TOUCH CONTROL
18	022336-000	1	PERIMETRIC SEAL
19	022334-000	1	GLASS COOKTOP ASSY.VIKING 30 RIVER BOAT
NI	022324-000	1	SCRAPER
NI	022335-000	1	WIRING