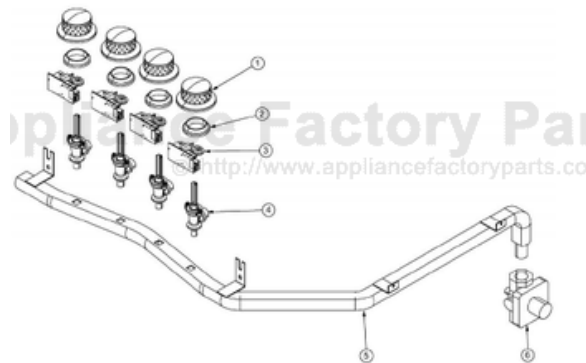


This Owner's Manual is provided and hosted by [Appliance Factory Parts](http://www.appliancefactoryparts.com).



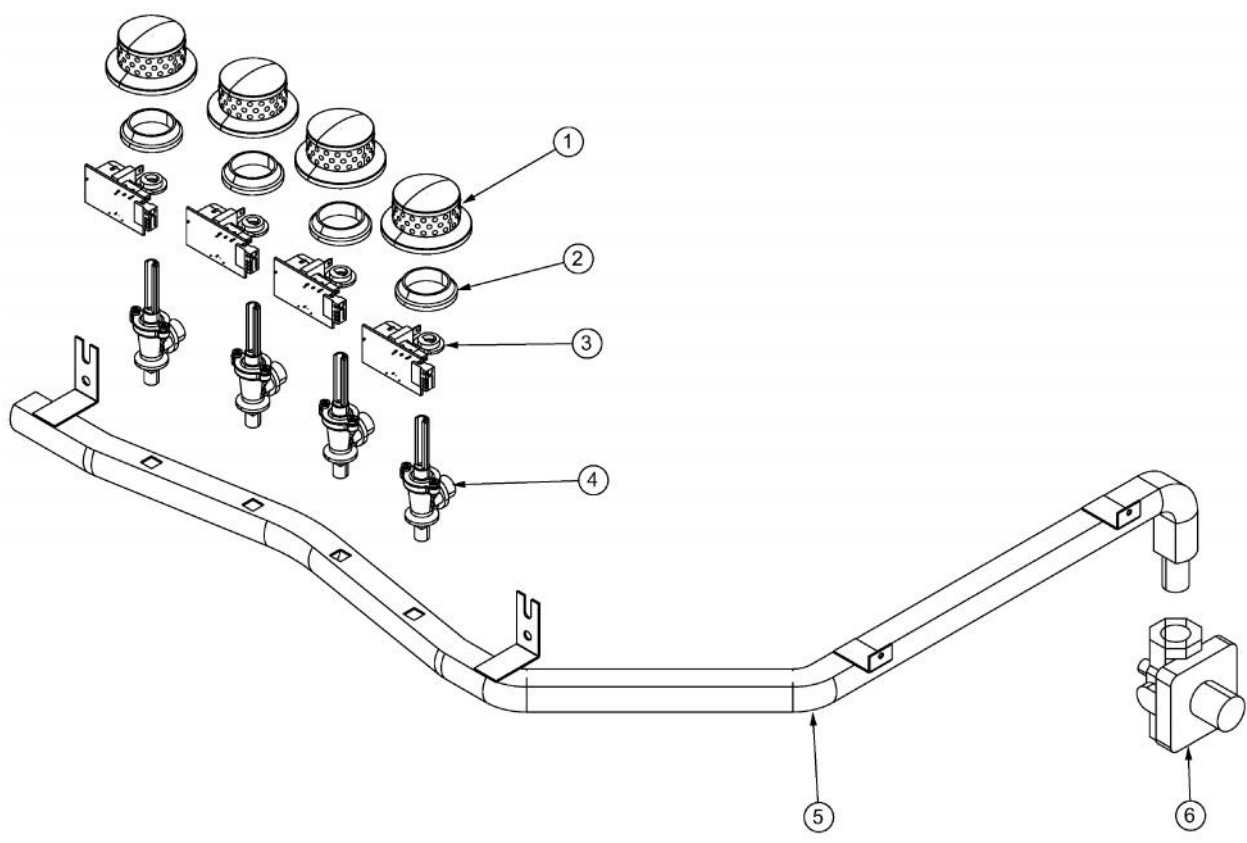
VIKING DGCU106-4B Owner's Manual

[Shop genuine replacement parts for VIKING
DGCU106-4B](#)

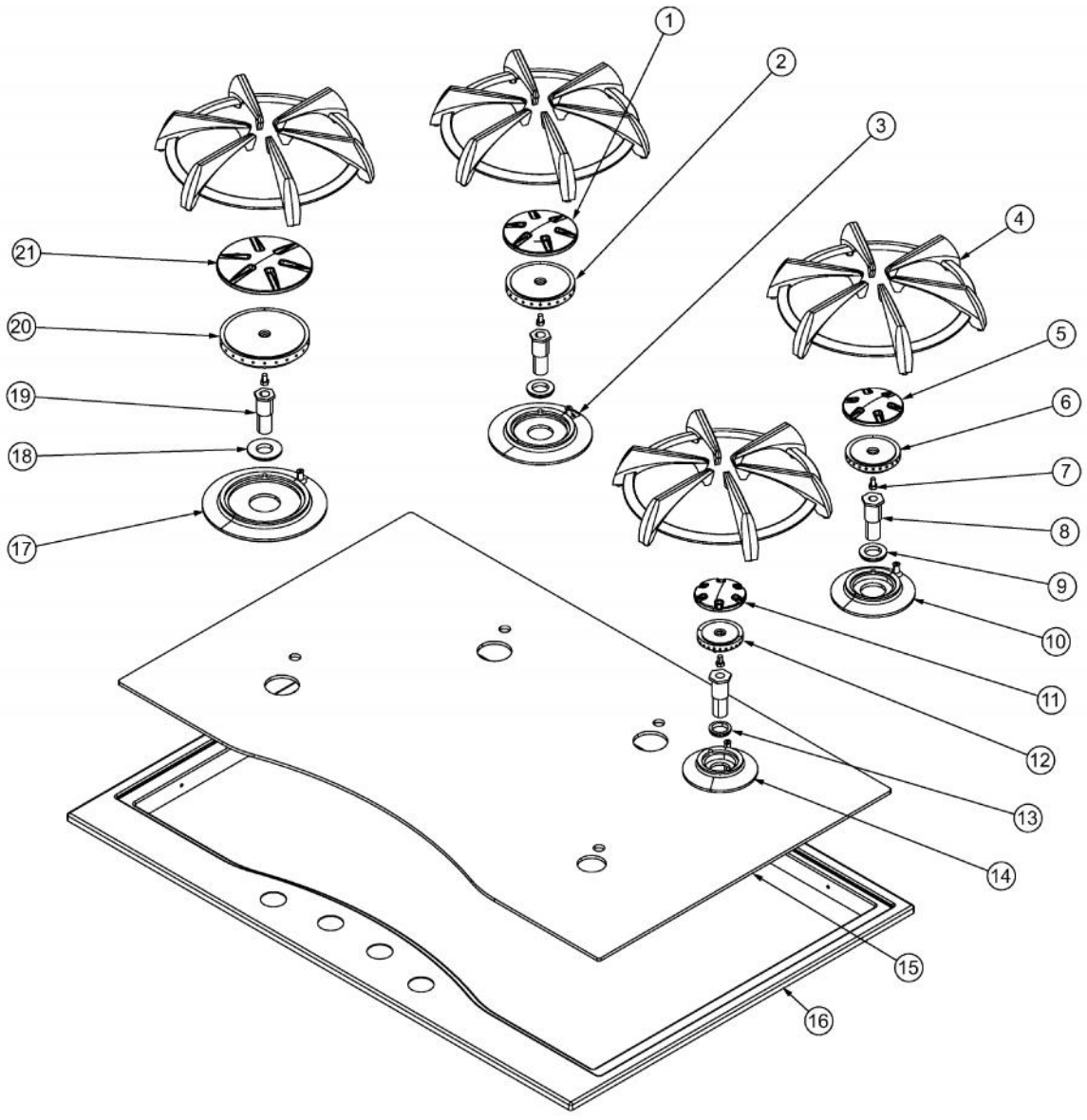


[Find Your VIKING Gas Range Parts - Select From 76 Models](#)

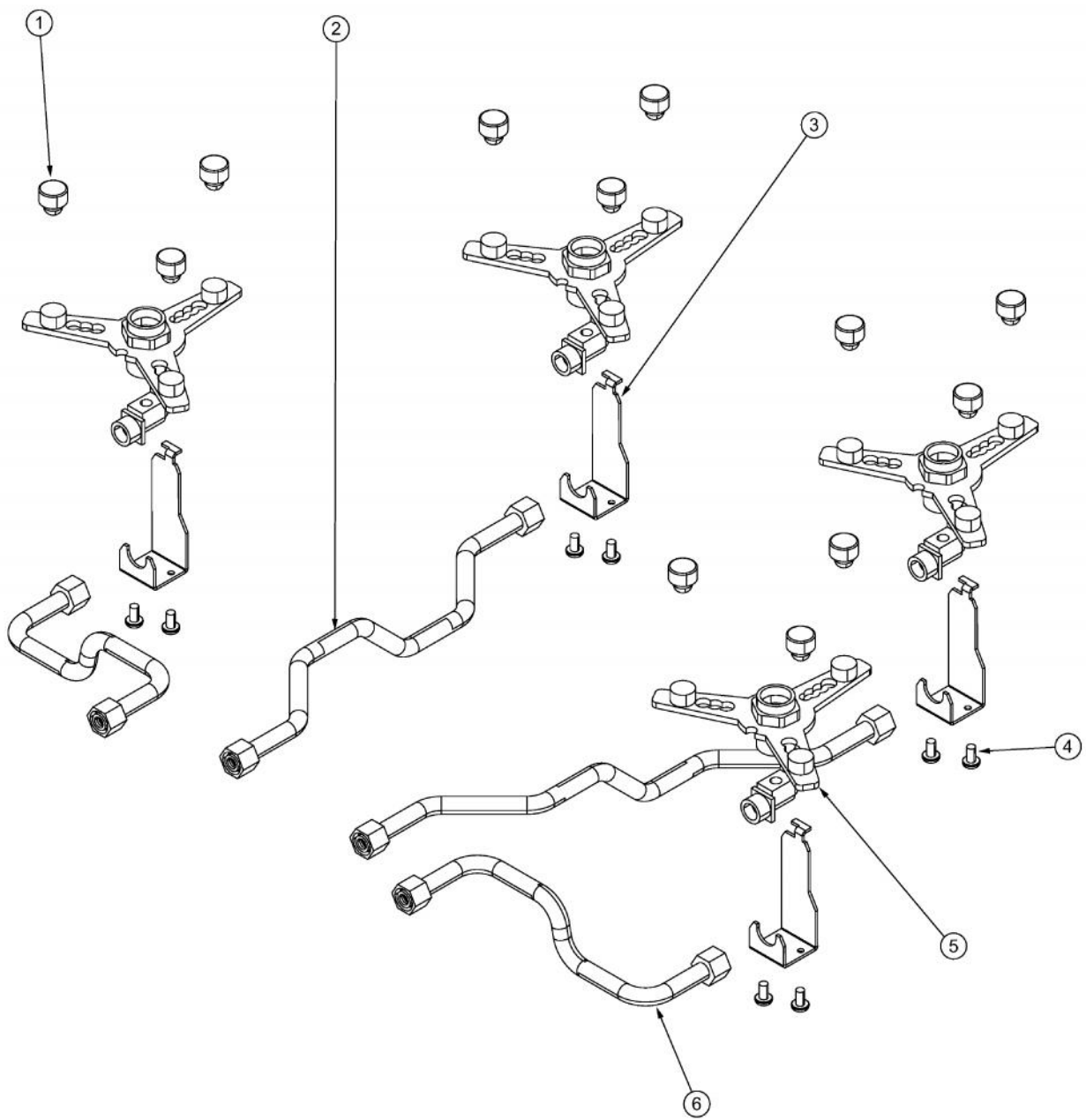
----- Manual continues below -----



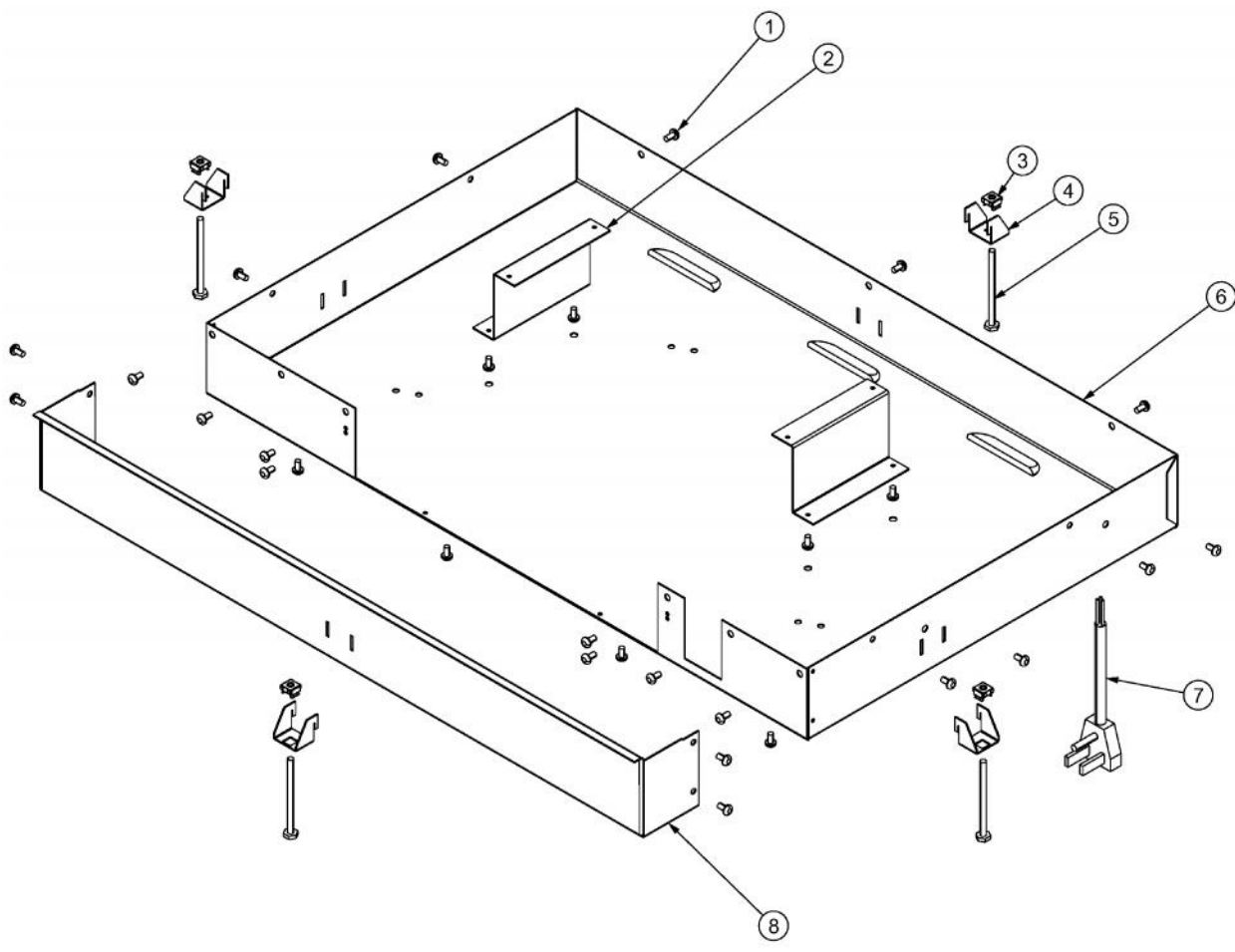
Ref #	Part Number	Qty.	Description
1	011731-000	4	KNOB, BK, DESIGNER COOKTOP
No.	014558-000	4	KNOB, VLV, GRAY BAND, DES COOKTOP
2	PB070079	4	SILICONE EXTRUSION (DGSU)
3	015112-000	4	MODULE, SPK IRIS COOKTOP
4	PA010161	4	SUB TO 007146-000 - COOKTOP REVERSE FLOW VALVE
5	014585-000	1	MANIFOLD, ASM
6	PA070004	1	PRESSURE REG.(NAT.) RV47L-77-5.0
No.	PA070005	1	PRESSURE REG.(LP) RV47L-77-10.0
No.	PB040195	1	NO. 50 ORIFICE FOR SEALED BURNER
No.	PB040236	1	NO.55 NAT
No.	PB040200	1	NO.57 ORIFICE - LP



Ref #	Part Number	Qty.	Description
1	PA080070	1	BK MATTE BURNER CAP
No.	PA080071	1	GRAY MATTE BURNER CAP
2	PA080064	1	C`` BURNER HEAD (12,000 BTU) DGC
3	PA080058	1	C BURNER BASE DGCU
4	PA060055	4	GRATES BK
No.	PA060056	4	DGCU GRATE MATTE GRAY
5	PA080068	1	BK MATTE BURNER CAP
No.	PA080069	1	GRAY MATTE BURNER CAP
6	PA080063	1	B`` BURNER HEAD (9,000 BTU) DGC
7	PD010049	4	BOLT, M5 X 8 (DGCU)
8	PD030067	2	BURNER VENTURI A & B (DGCU)
9	PD040058	2	B/C - BURNER ALIGNMENT BUSHING-DGCU
10	PA080059	1	B BURNER BASE DGCU
11	PA080066	1	BURNER CAP MATTE BLACK
No.	PA080067	1	GRAY MATTE BURNER CAP
12	PA080062	1	A`` BURNER HEAD (6,000 BTU) DGCU
13	PD040057	1	A-BURNER ALIGNMENT BUSHING (DGCU)
14	PA080060	1	A BURNER BASE DGCU
15	PE040114	1	30 DGCU GLASS BLACK
No.	PE040122	1	30 DGCU GLASS (WHITE)
16	017278-000	1	DGCU106 TOP, SB
17	PA080057	1	BURNER BASE ASM
18	PD040059	1	D-BURNER ALIGNMENT BUSHING (DGCU)
19	PD030068	2	VENTURI, C&D (DGCU)
20	PA080065	1	D`` BURNER HEAD (14,000 BTU) DGC
21	PA080072	1	BK MATTE BURNER CAP
No.	PA080073	1	GRAY MATTE BURNER CAP
No.	PB040274	1	NO.58 LP
No.	PB040271	1	NO.60 LP
No.	PB040258	1	LP ORIFICE NO.69
No.	PB040204	1	NO.67 LP



Ref #	Part Number	Qty.	Description
1	PD040061	12	HIGH HEAT SILICON PAD
2	014351-000	2	TUBE, ASM, DGPU106 B
3	013908-000	4	BRACKET, ORIFICE HOLDER
4	PD020004	8	10X3/8PH.HD.TYPE 25 REPL PD040125
5	PB050061	4	JET HOLDER (DGPU)
6	014349-000	2	TUBE, ASM, DGPU106 A



Ref #	Part Number	Qty.	Description
1	PD020004	30	10X3/8PH.HD.TYPE 25 REPL PD040125
2	A20012993	2	GLASS SHIELD BRACKET
3	PD030029	4	SELF RETAINING NUT (1/4-20)
4	A2005721	4	MOUNT BRACKET (DECU)
5	PD020123	4	BOLT 1/4-20 X 3 HEX HD
6	015148-000	1	BOX, COOKTOP
7	G4007440	1	SUPPLY CORD ASSY
8	A3005722	1	DGPU30 CONTROL PANEL COVER