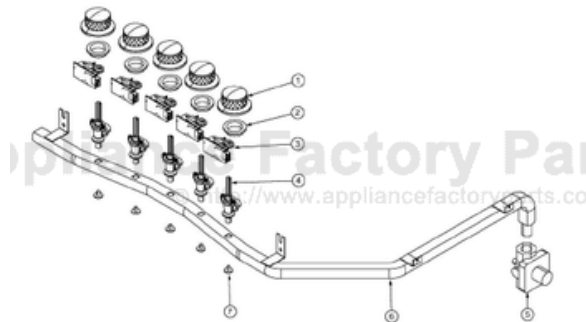


This Owner's Manual is provided and hosted by [Appliance Factory Parts](#).



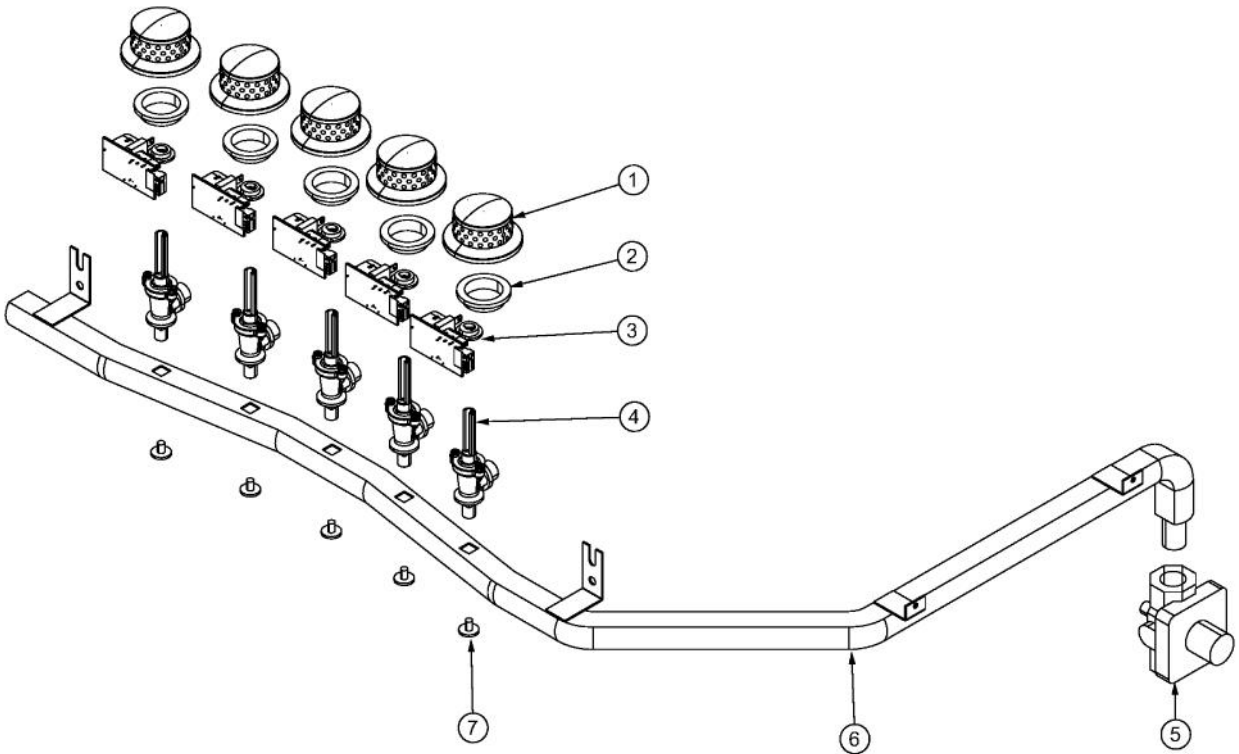
# VIKING DGCU166-5B Owner's Manual

**[Shop genuine replacement parts for VIKING  
DGCU166-5B](#)**



**[Find Your VIKING Gas Range Parts - Select From 76 Models](#)**

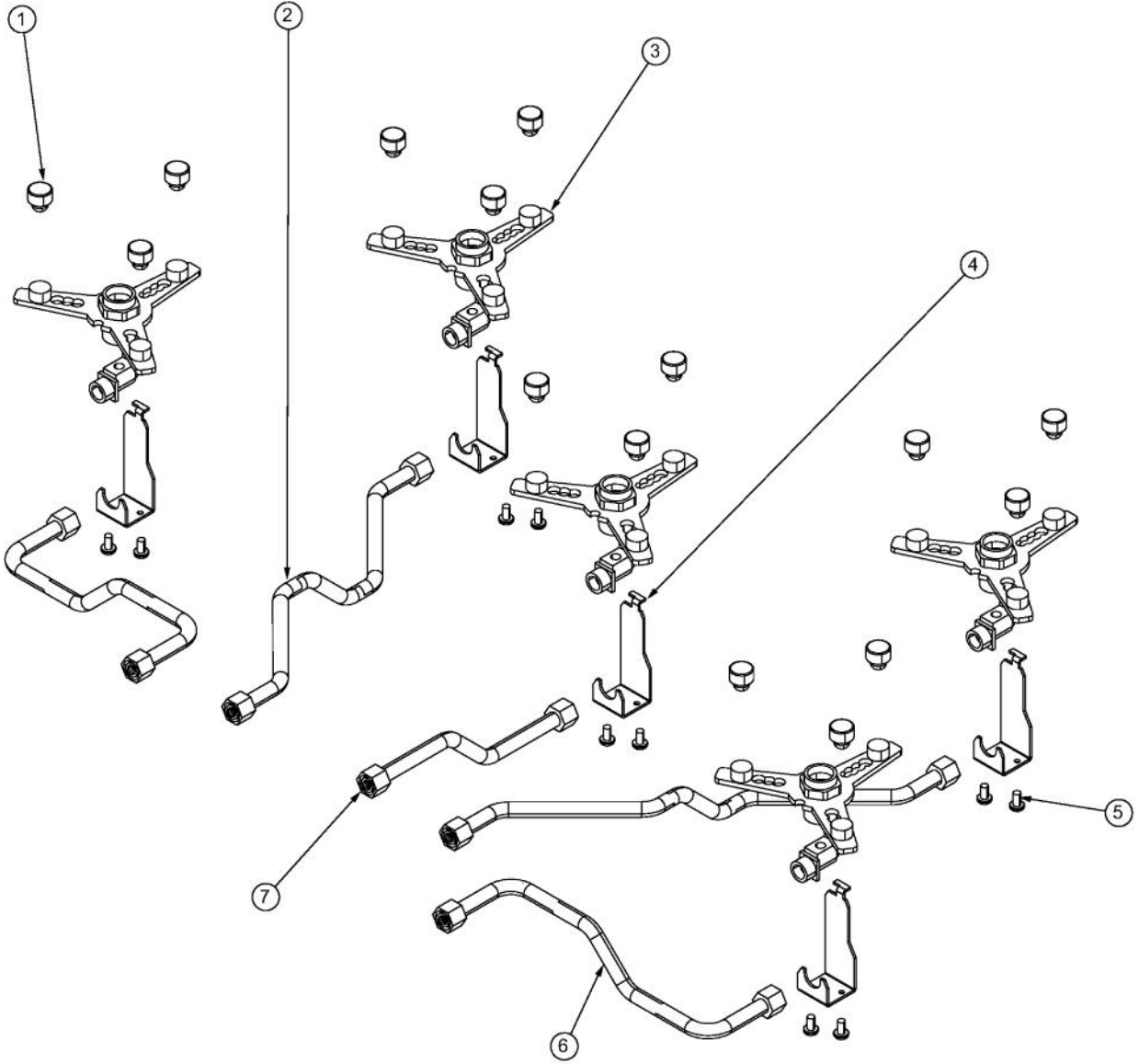
----- Manual continues below -----



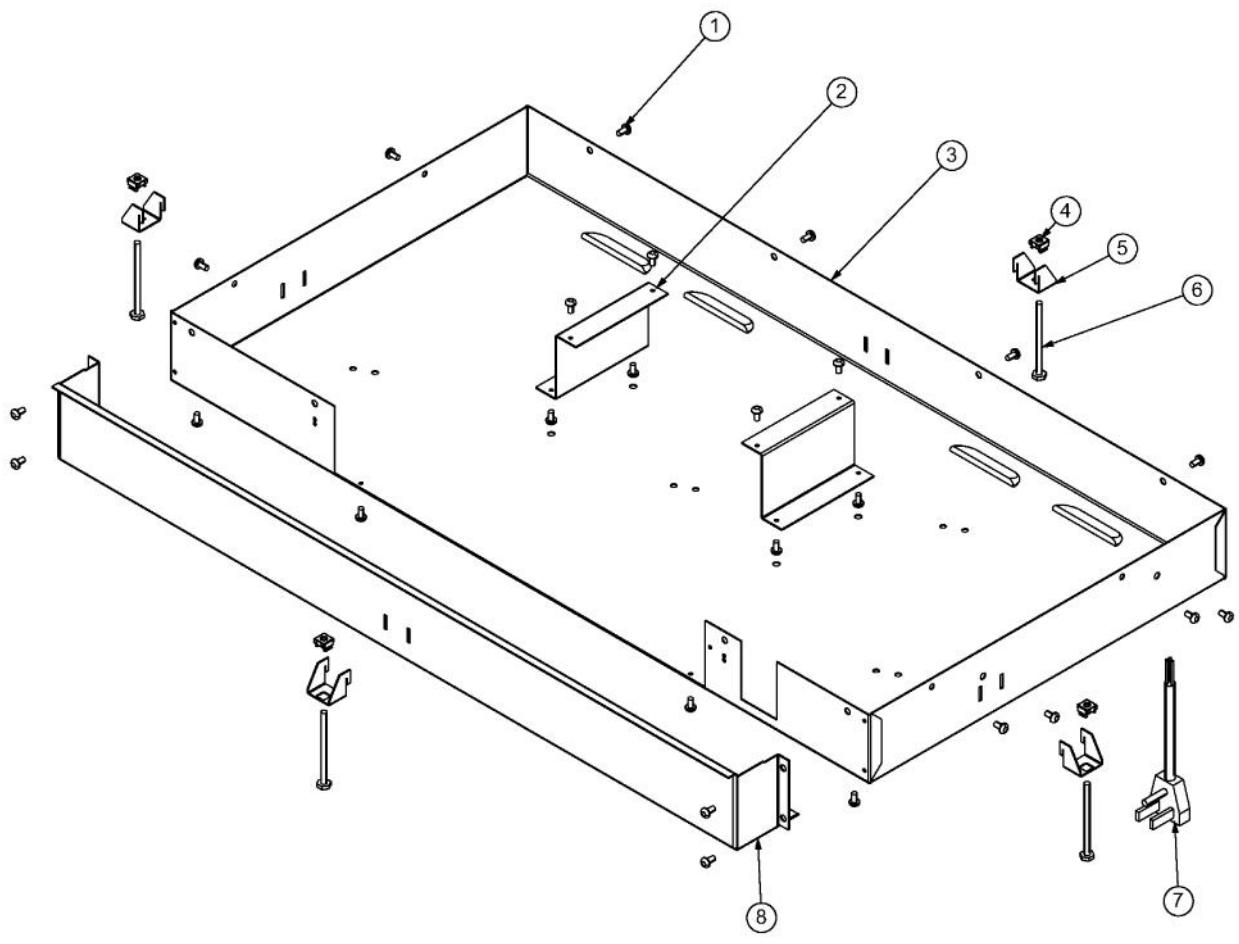
Ref #	Part Number	Qty.	Description
1	011731-000	5	KNOB, BK, DESIGNER COOKTOP
1	014558-000	5	KNOB, VLV, GRAY BAND, DES COOKTOP
2	PB070079	5	SILICONE EXTRUSION (DGSU)
3	015112-000	5	MODULE, SPK IRIS COOKTOP
4	PA010161	5	SUB TO 007146-000 - COOKTOP REVERSE FLOW VALVE
5	PA070004	1	PRESSURE REG.(NAT.) RV47L-77-5.0
5	PA070005	1	PRESSURE REG.(LP) RV47L-77-10.0
6	014587-000	1	MANIFOLD, ASM
7	PD010012	5	VALVE BOLT 1/4-20 UNC-2B 5/16 M.S.



Ref #	Part Number	Qty.	Description
1	PA060055	5	GRATES BK
1	PA060056	5	DGCU GRATE MATTE GRAY
2	PA080070	2	BK MATTE BURNER CAP
2	PA080071	2	GRAY MATTE BURNER CAP
3	PA080064	2	C`` BURNER HEAD (12,000 BTU) DGC
4	PA080072	1	BK MATTE BURNER CAP
4	PA080073	1	GRAY MATTE BURNER CAP
5	PA080065	1	D`` BURNER HEAD (14,000 BTU) DGC
6	PA080068	1	BK MATTE BURNER CAP
6	PA080069	1	GRAY MATTE BURNER CAP
7	PA080063	1	B`` BURNER HEAD (9,000 BTU) DGC
8	PD010049	5	BOLT, M5 X 8 (DGCU)
9	PD030067	2	BURNER VENTURI A & B (DGCU)
10	PD040058	3	B/C - BURNER ALIGNMENT BUSHING-DGCU
11	PA080059	1	B BURNER BASE DGCU
12	PA080066	1	BURNER CAP MATTE BLACK
12	PA080067	1	GRAY MATTE BURNER CAP
13	PA080062	1	A`` BURNER HEAD (6,000 BTU) DGCU
14	PD040057	1	A-BURNER ALIGNMENT BUSHING (DGCU)
15	PA080060	1	A BURNER BASE DGCU
16	017281-000	1	DGCU166 TOP ASM, SB
16	019811-000	1	DGCU166 TOP ASM, SW
17	017281-000	1	DGCU166 TOP ASM, SB
18	PD040059	1	D-BURNER ALIGNMENT BUSHING (DGCU)
19	PA080057	1	BURNER BASE ASM
20	PA080058	2	C BURNER BASE DGCU
21	PD030068	3	VENTURI, C&D (DGCU)
NI	PB040271	1	NO.60 LP
NI	PB040202	1	NO.63 ORIFICE FOR SEALED BURNER
NI	PB040274	1	NO.58 LP
NI	PB040258	1	LP ORIFICE NO.69
NI	PB040204	1	NO.67 LP



Ref #	Part Number	Qty.	Description
1	PD040061	15	HIGH HEAT SILICON PAD
2	014345-000	2	TUBE, ASM, DGCU166 B
3	PB050061	5	JET HOLDER (DGCU)
4	013908-000	5	BRACKET, ORIFICE HOLDER
5	PD020004	10	10X3/8PH.HD.TYPE 25 REPL PD040125
6	014343-000	2	TUBE, ASM, DGCU166 A
7	014347-000	1	TUBE, ASM, DGCU166 C



Ref #	Part Number	Qty.	Description
1	PD020004	26	10X3/8PH.HD.TYPE 25 REPL PD040125
2	A20012993	2	GLASS SHIELD BRACKET
3	015149-000	1	BOX, COOKTOP
4	PD030029	4	SELF RETAINING NUT (1/4-20)
5	A2005721	4	MOUNT BRACKET (DECU)
6	PD020123	4	BOLT 1/4-20 X 3 HEX HD
7	G4007440	1	SUPPLY CORD ASSY
8	A3005710	1	36 CS CONTROL PANEL COVER