

This Owner's Manual is provided and hosted by [Appliance Factory Parts](#).



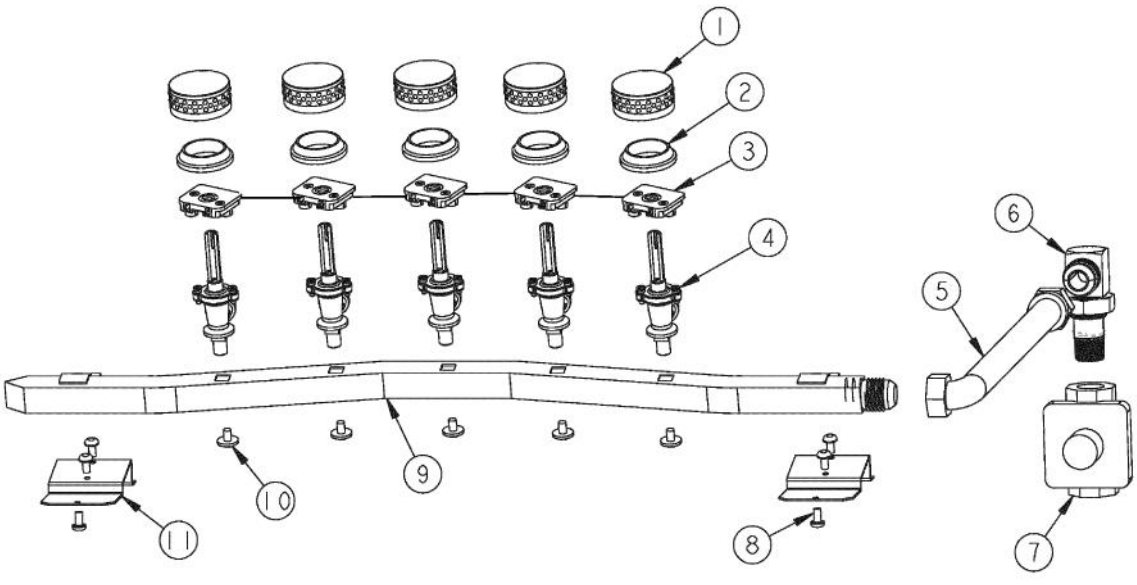
# VIKING DGSU160 Owner's Manual

[Shop genuine replacement parts for VIKING DGSU160](#)



[Find Your VIKING Gas Range Parts - Select From 76 Models](#)

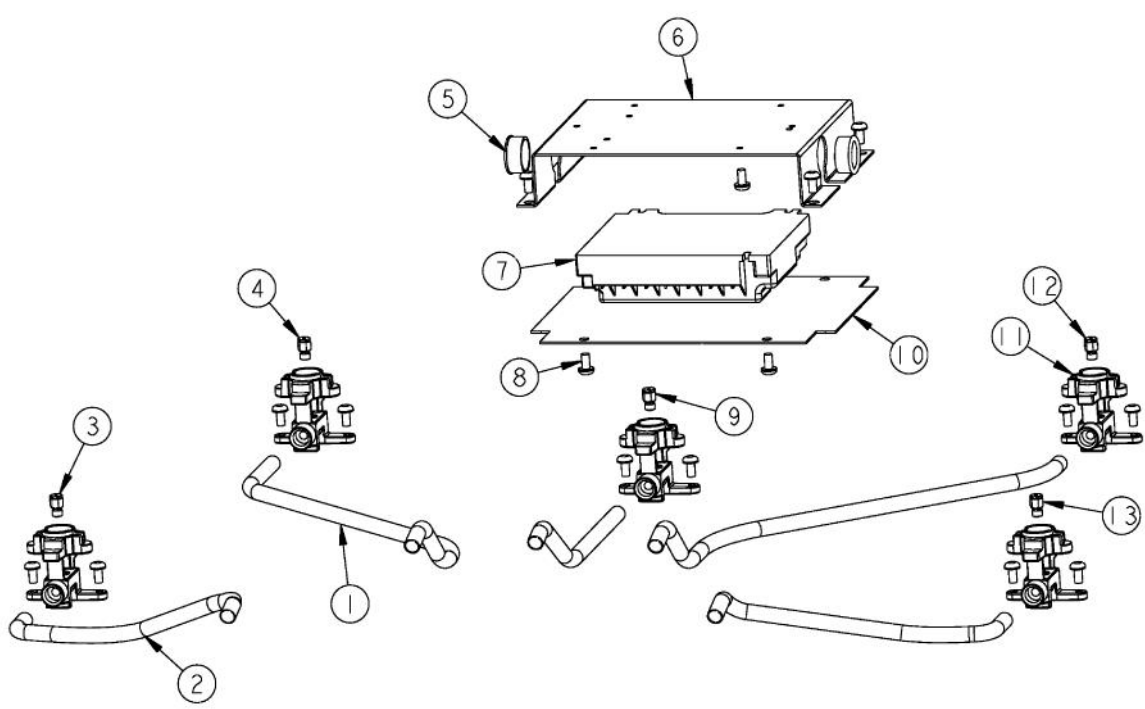
----- Manual continues below -----



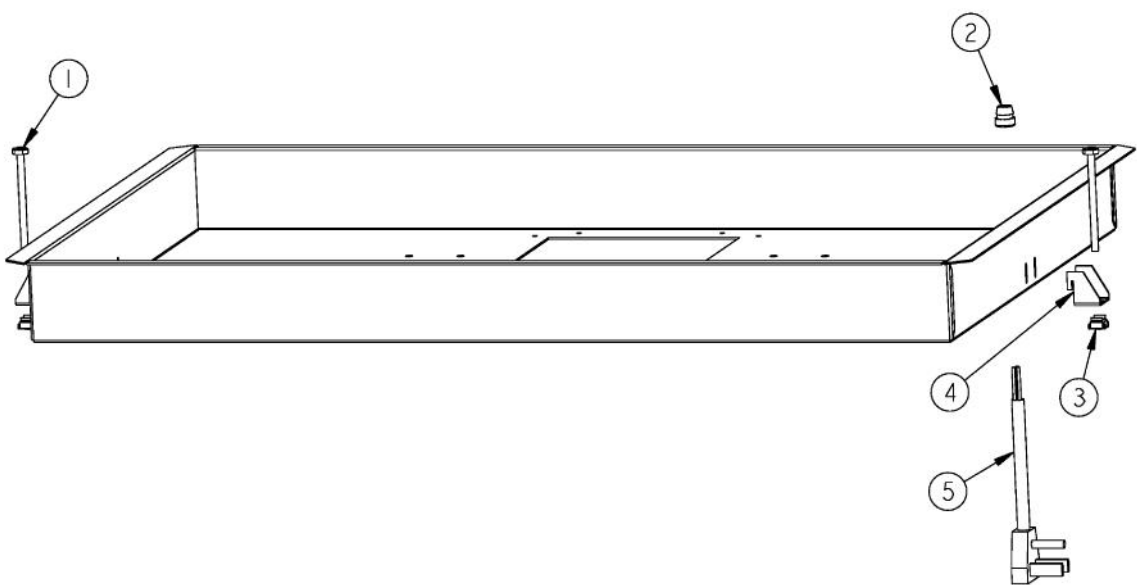
Ref #	Part Number	Qty.	Description
1	PB010200		GAS DESIGNER COOKTOP KNOB
1	PB010200PVD		GAS DESIGNER COOKTOP KNOB - BRASS
1	PB010214		GAS DESIGNER COOKTOP KNOB - WH
1	PB010214PVD		GAS DESIGNER COOKTOP KNOB - BRASS
2	PB070079		SILICONE EXTRUSION (DGSU)
3	PE070819		IGNITOR SWITCH HARNESS 5B, 36 (ILLUSTRATION NOT EXACT - SEE IGNITOR SWITCH HARNE...
4	PA010094		SUB TO 003577-000 - DGCU GAS VALVE (DESIGNER SERIES) (BEFORE 02/09/06)
NI	PA010161		SUB TO 007146-000 - COOKTOP REVERSE FLOW VALVE (AFTER 02/09/06)
5	PB020189		5/8 FLEX TUBE
6	PB040231		90 DEGREE BULKHEAD ELBOW W / LOCKNUT
7	PA070004		PRESSURE REG.(NAT.) RV47L-77-5.0 (NATURAL GAS)
NI	PA070005		PRESSURE REG.(LP) RV47L-77-10.0 (LP GAS)
8	PD020004		10X3/8PH.HD.TYPE 25 REPL PD040125
9	PA050087		DGSU160 MANIFOLD
10	PD010012		VALVE BOLT 1/4-20 UNC-2B 5/16 M.S.
11	A20014779		DGSU MANIFOLD BRACKET



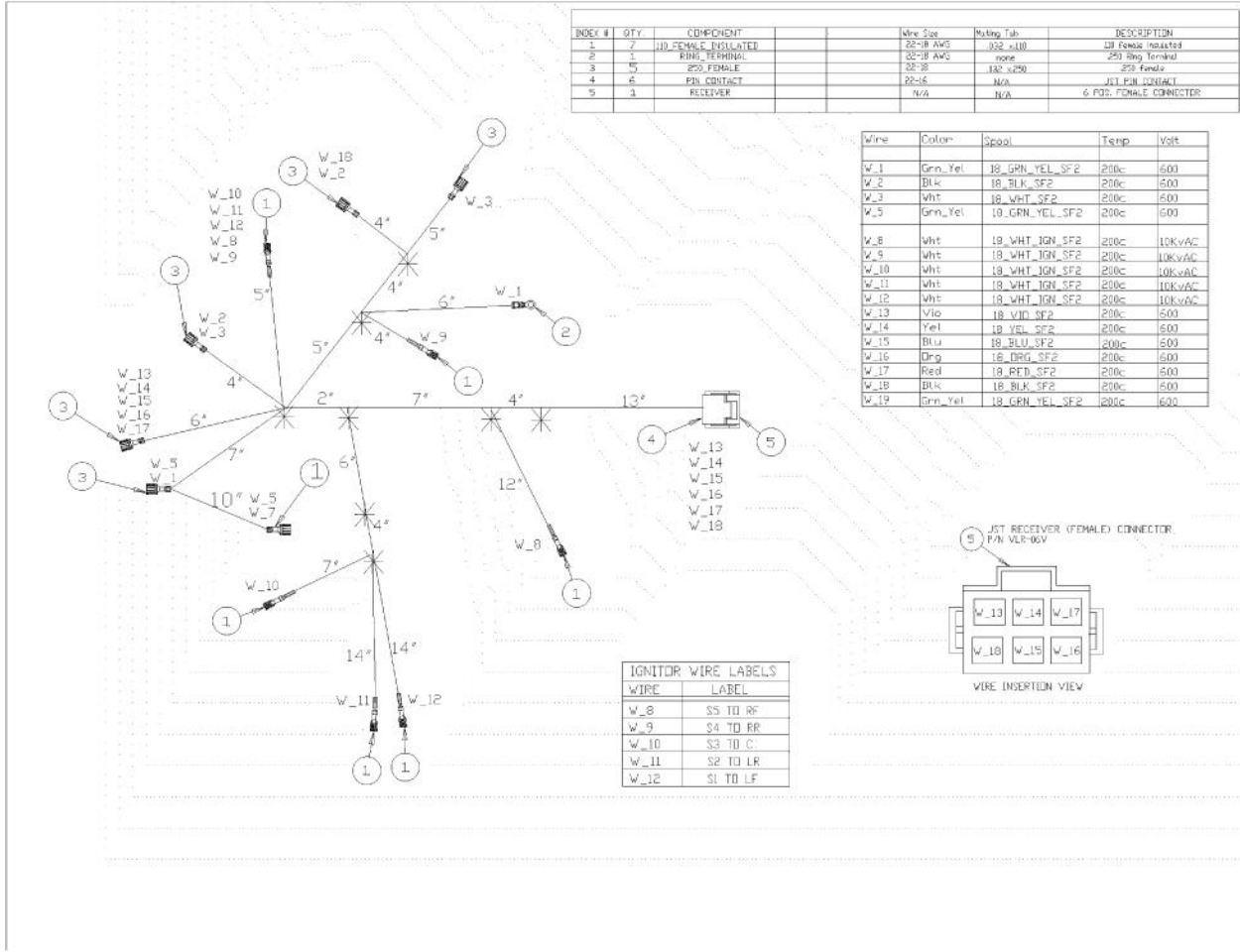
Ref #	Part Number	Qty.	Description
1	PA060064		160 LEFT GRATE (BEFORE 12/16/06)
NI	PA060075		160 LEFT GRATE (GRAY) (BEFORE 12/16/06)
NI	PA060085		LH DGSU160 GRATE (BLACK) (AFTER 12/16/06)
NI	PA060088		LH DGSU160 GRATE (GRAY) (AFTER 12/16/06)
2	PA060063		160 CENTER GRATE (BEFORE 12/16/06)
NI	PA060074		160 CENTER GRATE (GREY) (BEFORE 12/16/06)
NI	PA060087		CENTER DGSU160 GRATE (BLACK) (AFTER 12/16/06)
NI	PA060090		CENTER DGSU160 GRATE (GRAY) (AFTER 12/16/06)
3	PA060065		160 RIGHT GRATE (BEFORE 12/16/06)
NI	PA060076		160 RIGHT GRATE (GREY) (BEFORE 12/16/06)
NI	PA060086		RH DGSU160 GRATE (BLACK) (AFTER 12/16/06)
NI	PA060089		RH DGSU160 GRATE (GRAY) (AFTER 12/16/06)
4	PA080091		A-BURNER
	PA080095		A-BURNER (GRAY)
5	PB050071		B-BASE (INCLUDES IGNITER)
6	PB050072		A-BASE (INCLUDES IGNITER)
7	PA080090		B-BURNER
	PA080094		B-BURNER (GREY)
8	PA080088		D-BURNER
	PA080092		D-BURNER (GRAY)
9	PB050069		D-BASE (INCLUDES IGNITER)
10	B92014573		DGSU160 TOP
10	E92014573BK		DGSU160 TOP XBKX
10	E92014573BT		DGSU160 TOP XBTX
10	E92014573GG		DGSU160 TOP XGGX
10	E92014573SG		DGSU160 TOP XSGX
10	E92014573WH		DGSU160 TOP XWHX
11	PD020159		DGSU BURNER BASE SCREW
12	PB050070		C-BASE (INCLUDES IGNITER)
13	PA080089		C-BURNER
13	PA080093		C-BURNER (GRAY)



Ref #	Part Number	Qty.	Description
1	PB020198		20 FLEX TUBING
2	PB020190		10 FLEX TUBE
3	PB040198		NO. 54 ORIFICE FOR SEALED BURNER (NATURAL GAS)
NI	PB040202		NO.63 ORIFICE FOR SEALED BURNER (LP GAS)
4	PB040197		NO. 53 ORIFICE FOR SEALED BURNER (NATURAL GAS)
NI	PB040201		NO.61 ORIFICE FOR SEALED BURNER (LP GAS)
5	PD040005		SNAP BUSHING - 7/8
6	A2007834		MODULE BRACKET
7	PA020042		TYTRONICS 0+6 SPARK MODULE
8	PD020004		10X3/8PH.HD.TYPE 25 REPL PD040125
9	PB040196		NO. 51 ORIFICE FOR SEALED BURNER (NATURAL GAS)
NI	PB040200		NO.57 ORIFICE - LP (LP GAS)
10	A1005718		MODULE COVER
11	PB050067		JETHOLDER
12	PB040236		NO.55 NAT (NATURAL GAS)
NI	PB040203		NO.65 ORIFICE FOR SEALED BURNER (LP GAS)
13	PB040199		NATURAL ORIFICE NO.56 (NATURAL GAS)
NI	PB040204		NO.67 LP (LP GAS)



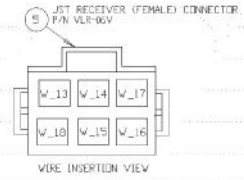
Ref #	Part Number	Qty.	Description
1	PD020123		BOLT 1/4-20 X 3 HEX HD
2	PE070069		STRAIGHT-THRU BUSHING
3	PD030029		SELF RETAINING NUT (1/4-20)
4	A2005721		MOUNT BRACKET (DECU)
5	G4007440		SUPPLY CORD ASSY



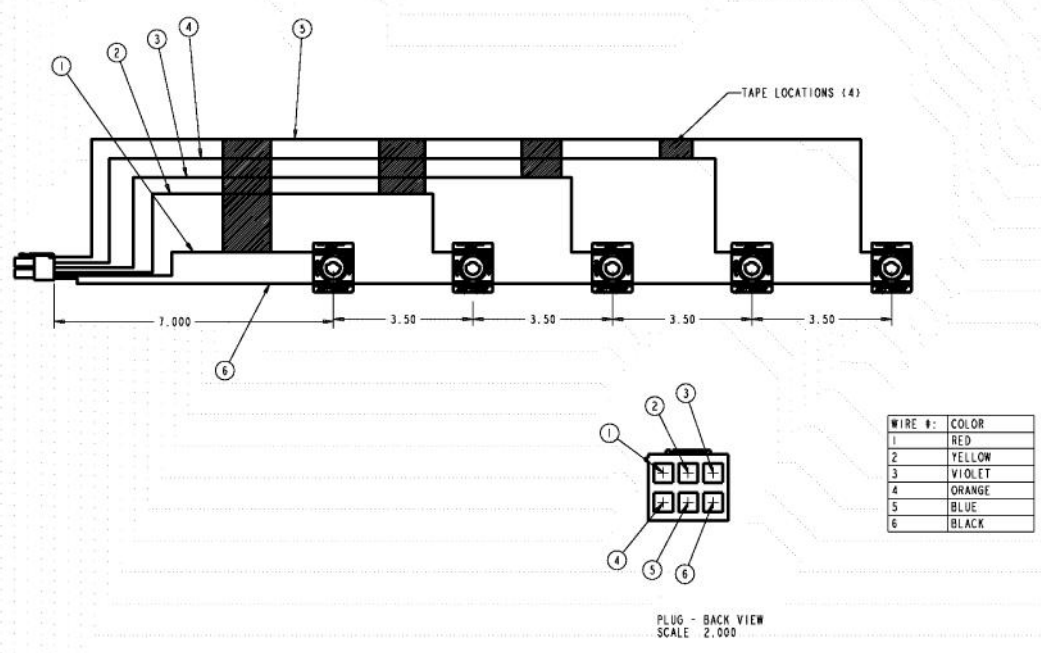
INDEC #	QTY	COMPONENT	Wire Size	Wiring Tab	DESCRIPTION
1	7	JST FEMALE INSULATOR	22-18 AWG	032 x100	JST Female Insulator
2	1	WIRE TERMINAL	22-18 AWG	None	250 Ring Terminal
3	5	250 FEMALE	22-18	182 x250	250 Female
4	6	PIN CONTACT RECEIVER	N/A	N/A	JST PIN CONTACT
5	3	RECEIVER	N/A	N/A	6 POS. FEMALE CONNECTOR

Wire	Color	Spool	Temp	Volts
W_1	Grn_Yel	18 GRN_YEL_SF2	200c	500
W_2	Blk	18 BLK_SF2	200c	500
W_3	Wht	18 WHT_SF2	200c	500
W_5	Grn_Yel	18 GRN_YEL_SF2	200c	500
W_8	Wht	18 WHT_IGN_SF2	200c	10KvAC
W_9	Wht	18 WHT_IGN_SF2	200c	10KvAC
W_10	Wht	18 WHT_IGN_SF2	200c	10KvAC
W_11	Wht	18 WHT_IGN_SF2	200c	10KvAC
W_12	Wht	18 WHT_IGN_SF2	200c	10KvAC
W_13	Vio	18 VIO_SF2	200c	500
W_14	Yel	18 YEL_SF2	200c	500
W_15	Blu	18 BLU_SF2	200c	500
W_16	Org	18 ORG_SF2	200c	500
W_17	Red	18 RED_SF2	200c	500
W_18	Blk	18 BLK_SF2	200c	500
W_19	Grn_Yel	18 GRN_YEL_SF2	200c	500

WIRE	LABEL
W_8	S5 TO RF
W_9	S4 TO RR
W_10	S3 TO C
W_11	S2 TO LR
W_12	S1 TO LF



Ref #	Part Number	Qty.	Description
1	PE070873		DGSU160 WIRE HARNESS



Ref #	Part Number	Qty.	Description
1	PE070819		IGNITOR SWITCH HARNESS 5B, 36