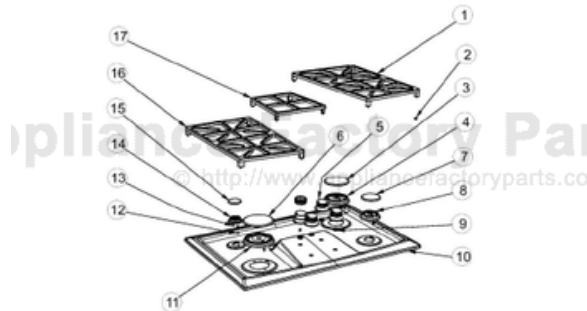


This Owner's Manual is provided and hosted by [Appliance Factory Parts](#).



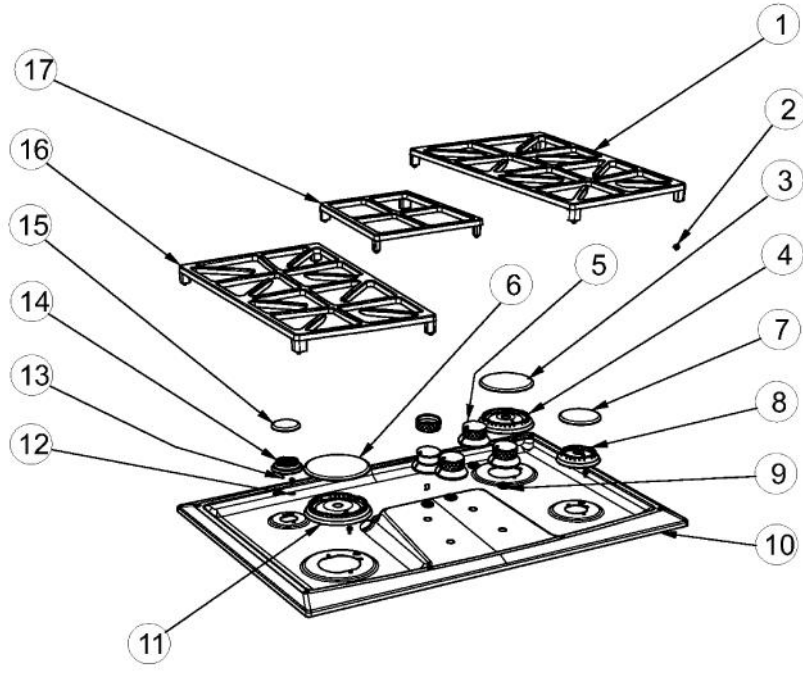
# VIKING DGVU200-4B Owner's Manual

**[Shop genuine replacement parts for VIKING  
DGVU200-4B](#)**

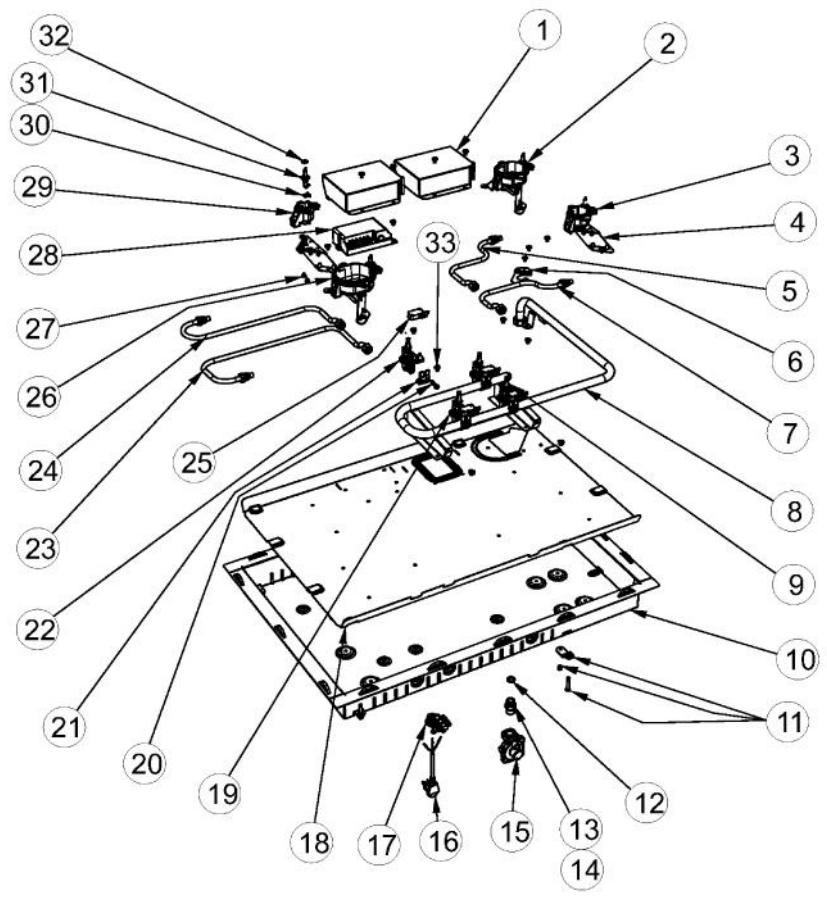


**[Find Your VIKING Gas Range Parts - Select From 76 Models](#)**

----- Manual continues below -----



Ref #	Part Number	Qty.	Description
1	022072-000	1	BLACK GRATE RIGHT ASSEMBLY
1	022073-000	1	GREY GRATE RIGHT ASSEMBLY
2	022074-000	12	RUBBER PAD
3	022075-000	1	BURNER CUP R FOR COOKTOP GAS 30"/36" BLACK
NI	022076-000	1	BURNER CUP R FOR COOKTOP GAS 30"/36" GREY
4	022077-000	1	GAS SPREADER R
5	022078-000	4	KNOB ASSEMBLY COOKTOP GAS VK (INOX/BLACK)
NI	022079-000	4	KNOB ASSEMBLY COOKTOP GAS VK (INOX/GREY)
6	022080-000	1	BURNER CUP UR FOR COOKTOP GAS 30"/36" BLACK
NI	022081-000	1	BURNER CUP UR FOR COOKTOP GAS 30"/36" GREY
7	022082-000	1	BURNER CUP SR FOR COOKTOP GAS 30"/36" BLACK
NI	022083-000	1	BURNER CUP SR FOR COOKTOP GAS 30"/36" GREY
8	022084-000	1	GAS SPREADER SR
9	022085-000	4	KNOB SEALING GASKET
10	022086-000	1	INOX COVER FOR COOKTOP GAS 30 (SS)
NI	022087-000	1	WHITE COVER FOR COOKTOP GAS 30
NI	022088-000	1	BLACK COVER FOR COOKTOP GAS 30
11	022089-000	1	GAS SPREADER UR
12	022090-000	4	WASHER
13	022091-000	4	SCREW M4X7
14	022092-000	1	GAS SPREADER AUX
15	022093-000	1	BURNER CUP AUX FOR COOKTOP GAS 30"/36" BLACK
NI	022094-000	1	BURNER CUP AUX FOR COOKTOP GAS 30"/36" GREY
16	022095-000	1	BLACK GRATE LEFT ASSEMBLY
NI	022096-000	1	GREY GRATE LEFT ASSEMBLY
17	022097-000	1	BLACK CENTRAL GRATE ASSEMBLY
NI	022098-000	1	GREY CENTRAL GRATE ASSEMBLY



Ref #	Part Number	Qty.	Description
1	022099-000	2	IGNITER, COVER
2	022100-000	1	BURNER ASSY.12000
3	022101-000	1	BURNER ASSY.9000
4	022102-000	2	BURNER BRACKET
5	022103-000	1	BURNER PIPE ASSY REAR RIGHT R
6	022104-000	1	MANIFOLD END BRACKET
7	022105-000	1	BURNER PIPE ASSY FRONT RH SR
8	022106-000	1	PIPE FOR GAS COOKTOP ASSY
9	022107-000	2	GAS TAP, BYPASS.36
10	022108-000	1	COOKTOP GAS BOX 30
11	022109-000	1	KIT FOR FIXING COOKTOP
12	022110-000	1	SEAL FOR GAS CONNECTOR
13	022111-000	1	ELBOW 1/2 GAS
14	022112-000	1	NIPPLE 1/2 NPT
15	022113-000	1	PRESSURE REGULATOR CONV.
16	022114-000	1	POWER CORD 18 AWG US PLUG
17	022115-000	1	TERMINAL BLOCK WITH CLAMP
18	022116-000	1	PARTITION COOKTOP GAS 36
19	022117-000	1	GAS TAP ASSEMBLY, COOKTOP 42 R/UR
20	022118-000	4	SCREW FOR GAS TAP FIXING
21	022119-000	4	FIXING FOR GAS TAP
22	022120-000	1	GAS TAP, BYPASS.29
23	022121-000	1	BURNER PIPE ASSY FRONT LEFT UR
24	022122-000	1	BURNER PIPE ASSY LF AUX
25	022123-000	1	MICROSWITCH
26	022124-000	1	BURNER CUP UR
27	022125-000	4	SCREW 3,5 X 6,5
28	022126-000	1	RE-IGNITER, ELECTRONIC
29	022127-000	1	BURNER ASSEMBLY,AUX 4000
30	022128-000	4	SPRING FIXING SPARK PLUG
31	022129-000	4	SPARK PLUG
32	022130-000	4	GASKET, SPARK PLUG
33	022131-000	2	SCREW, 4,2X6,5
NI	022132-000	1	INJECTORS SET (NATURAL GAS)
NI	022133-000	1	INJECTORS SET (LPG)