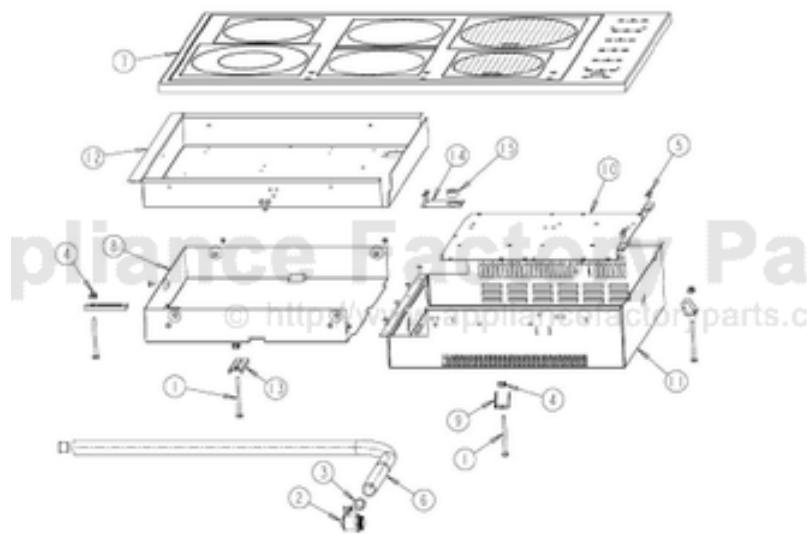


This Owner's Manual is provided and hosted by [Appliance Factory Parts](http://ApplianceFactoryParts.com).



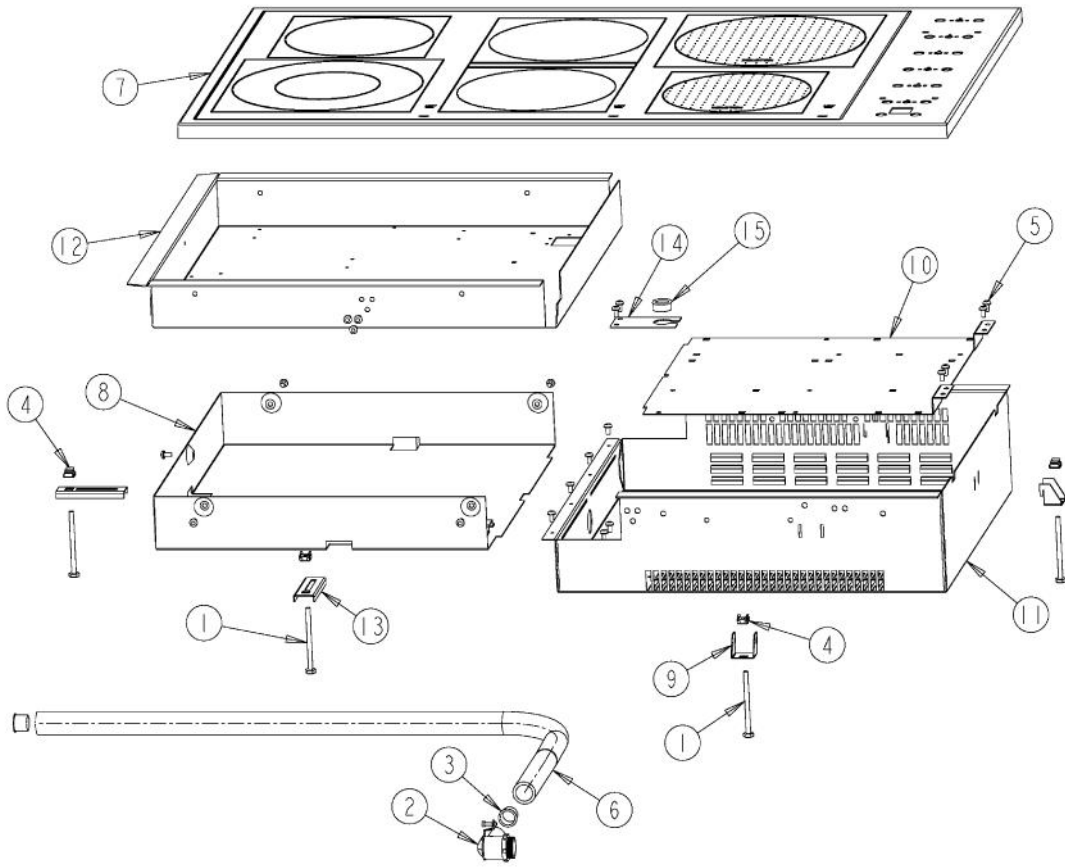
VIKING VCCU165 Owner's Manual

[Shop genuine replacement parts for VIKING VCCU165](#)

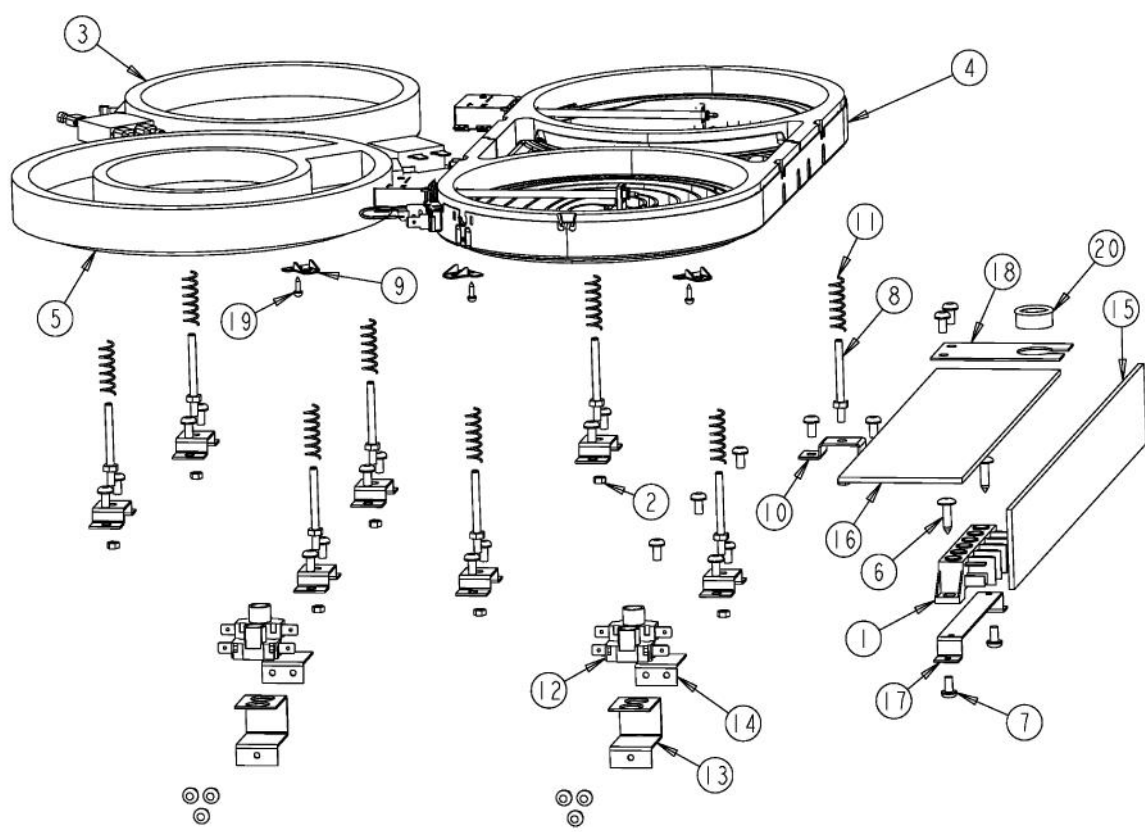


[Find Your VIKING Gas Range Parts - Select From 76 Models](#)

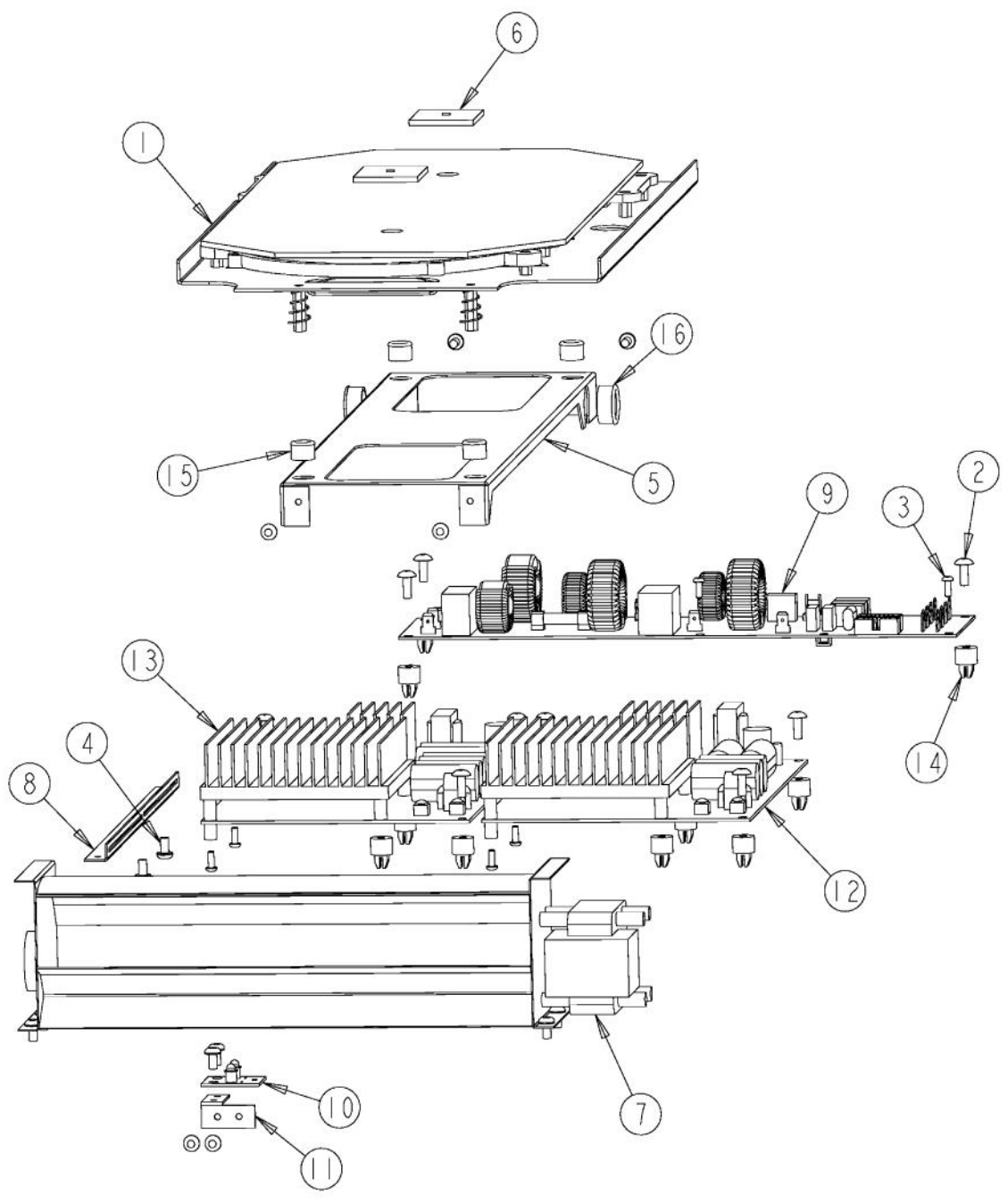
----- Manual continues below -----



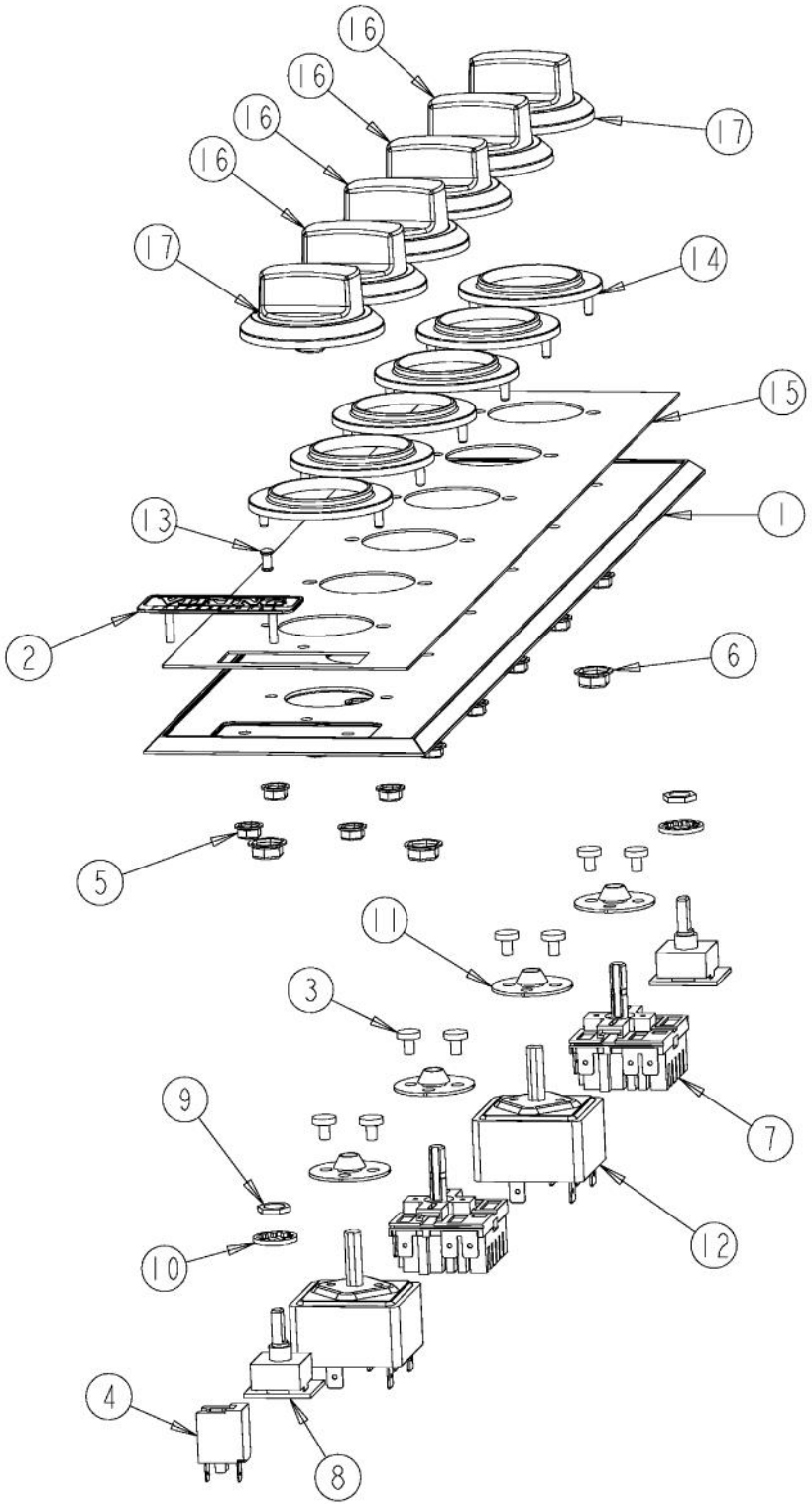
Ref #	Part Number	Qty.	Description
1	PD020123		BOLT 1/4-20 X 3 HEX HD
2	PB040259		90 DEG. 3/4 CONDUIT FITTING
3	PD040131		CONDUIT GROMMET (3/4)
4	PD030029		SELF RETAINING NUT (1/4-20)
5	PD020004		10X3/8PH.HD.TYPE 25 REPL PD040125
6	PB020259		3/4 CONDUIT
7	G50012149		36 VCCU TOP ASSY (BLACK)
	G50012936		36 VCCU TOP ASSY (WHITE)
8	A2005082		BOTTOM COVER
9	A2005721		MOUNT BRACKET (DECU)
10	A20010649		INDUCTION BOARD PLATE
11	A3005081		INDUCTION BURNER BOX
12	A3005097		INDUCTION RADIANT BURNER BOX
13	A2003053		RET.BRKT VGSU101 REPL PG210006
14	A10010652		ROUTING PLATE
15	PD040005		SNAP BUSHING - 7/8



Ref #	Part Number	Qty.	Description
1	PE070231		TERMINAL BLOCK - 6 POLE (HEYCO)
2	PD030012		6-32 HEX NUT
3	PJ020003		ELEMENT
4	PJ020004		ELEMENT-(2)1800 X 800
5	PJ020002		ELEMENT 2200 (750)
6	PD020014		10X3/4 PH TR HD SMS
7	PD020004		10X3/8PH.HD.TYPE 25 REPL PD040125
8	PD010148		ELEMENT STUD
9	PM010194		CERAMA-SPEED BRACKET
10	A2005055		BOTTOM ELEMENT BRACKET (VESU)
11	PC010006		GUIDE SPRING DESU
12	PE050077		INDICATOR LIGHT
13	A2005061		LIGHT COVER
14	A2005062		LIGHT SUPPORT
15	PB070197		INDUCTION INSULATION BOARD
16	PB070198		INDUCTION INSULATION BOARD
17	A2005084		INDUCTION TERMINAL BOARD BRACKET
18	A10010652		ROUTING PLATE
19	PD020013		TYPE AB NO.6 X 3/8 PH PAN HD. SMS
20	PD040005		SNAP BUSHING - 7/8



Ref #	Part Number	Qty.	Description
1	PE070769		COIL TRAY ASSEMBLY (71-0102)
2	PD010003		10-24 X 1/2 PH.TR.HD.SERD.M.S.
3	PD020076		6-32 X 3/8 PHILL PAN MS
4	PD020004		10X3/8PH.HD.TYPE 25 REPL PD040125
5	A20014410		BURNER SUPPORT
6	PE070761		INDUCTION THERMAL LIMITER
7	PE070365		COOLING FAN
8	A20010651		INDUCTION BOARD BRACE
9	PE070302		MIXED FUEL EMI BOARD
10	PE070519		INDUCTION LED ASSEMBLY
11	A20010645		INDUCTION LED BRACKET
12	PE070301		INDUCTION FULL POWER BOARD
13	PE070485		INDUCTION HALF POWER BOARD
14	PD030033		GROMMET NUT-ROUND HD. NO.8 X .500DIA.
15	PD040021		1/2 BUSHING (VGRC)
16	PD040005		SNAP BUSHING - 7/8



Ref #	Part Number	Qty.	Description
1	PE040251		36 ELECTRIC CONTROL PANEL
	PE040251PVD		36 ELECTRIC CONTROL PANEL XPVDX
2	PE010191		2 1/2 VIKING LOGO BLACK/CHROME
	PE010166		VIKING LOGO BRASS
	PE010176		2.5 WHITE CHROME LOGO
	PE010177		2.5 WHITE BRASS LOGO
3	PD020044		NO.8-32 X 1/4 PH. TR. HD. M.S.
4	PE050079		LENS OPENING
5	PD030006		CAPPED WASHER PAL NUT
6	PD030137		CAPPED WASHER PAL NUT
7	PJ030028		DUAL INFINITE SWITCH
8	PE070364		POT ASSY - GRAY 28.5 (12-4200)
9	PD030114		INDUCTION CONTROL NUT
10	PD040117		10 MM WASHER
11	PB070078		SILICONE GASKET (DESU)
12	PJ030019		INFINITE SWITCH
13	PE050187		POWER LIGHT LENS
14	PB010262		LOWER BEZEL
15	PE040334		VCCU PANEL GRAPHICS INLAY 36 BK
	PE040266		VCCU 36 CONTROL PANEL INLAY WHITE GRAPHICS
16	G50012164BK		INFINITE KNOB BEZEL ASSY XBKX
	G50012164BKBR		INFINITE KNOB BEZEL ASSY XBKBRX
	G50012164WH		INFINITE KNOB BEZEL ASSY XWHX
	G50012164WHBR		INFINITE KNOB BEZEL ASSY XWHBRX
17	G50012165BK		INDUCTION KNOB BEZEL ASSY XBKX
	G50012165BKBR		INDUCTION KNOB BEZEL ASSY XBKBRX
	G50012165WH		INDUCTION KNOB BEZEL ASSY XWHX
	G50012165WHBR		INDUCTION KNOB BEZEL ASSY XWHBRX

*No Image
Available*

Ref #	Part Number	Qty.	Description
NI	PE070456	1	36 4/2 INDUCTION HARNESS
NI	G4003016	1	GREEN - SUPPLY WIRE