

This Owner's Manual is provided and hosted by [Appliance Factory Parts](#).



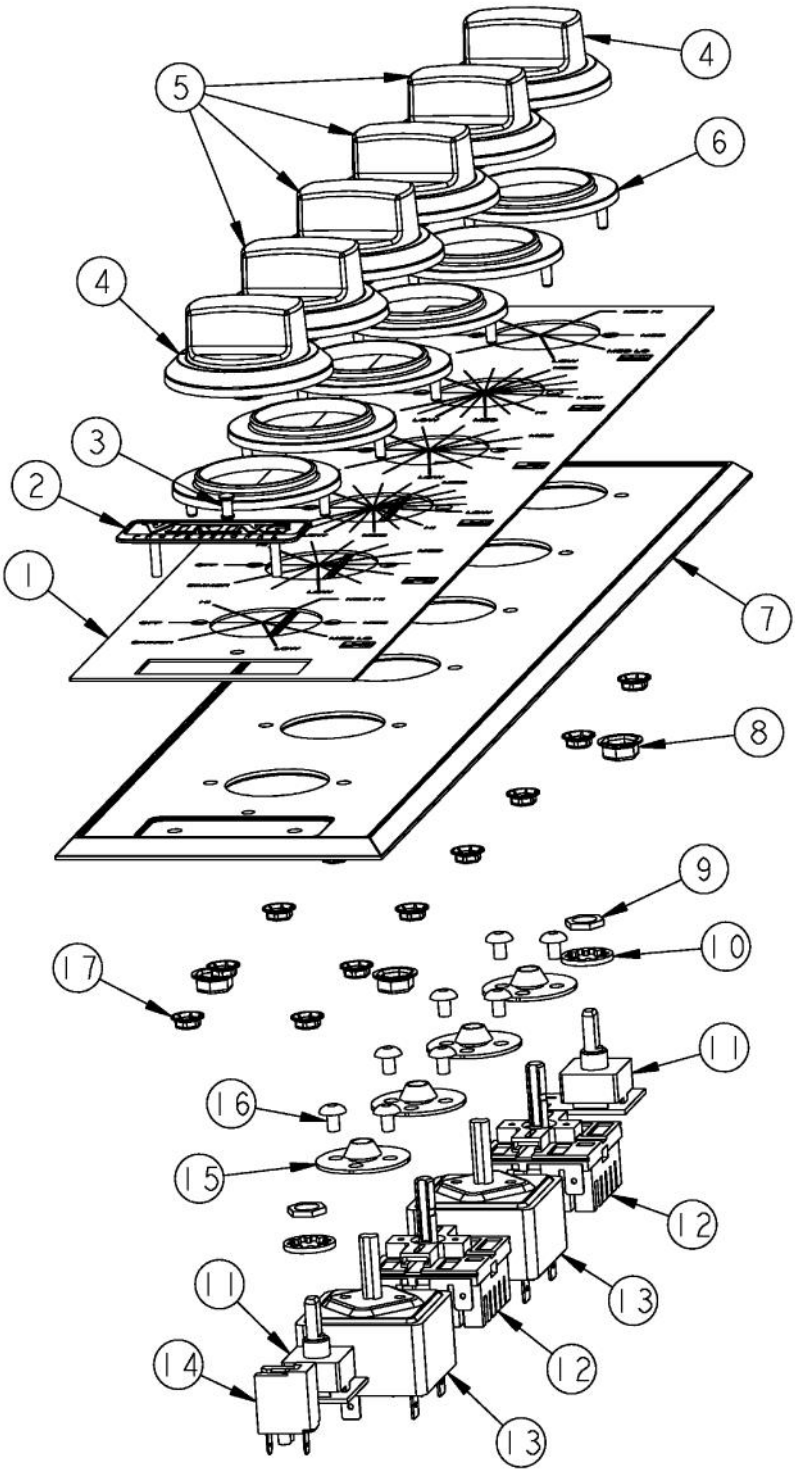
VIKING VCCU166 Owner's Manual

[Shop genuine replacement parts for VIKING VCCU166](#)

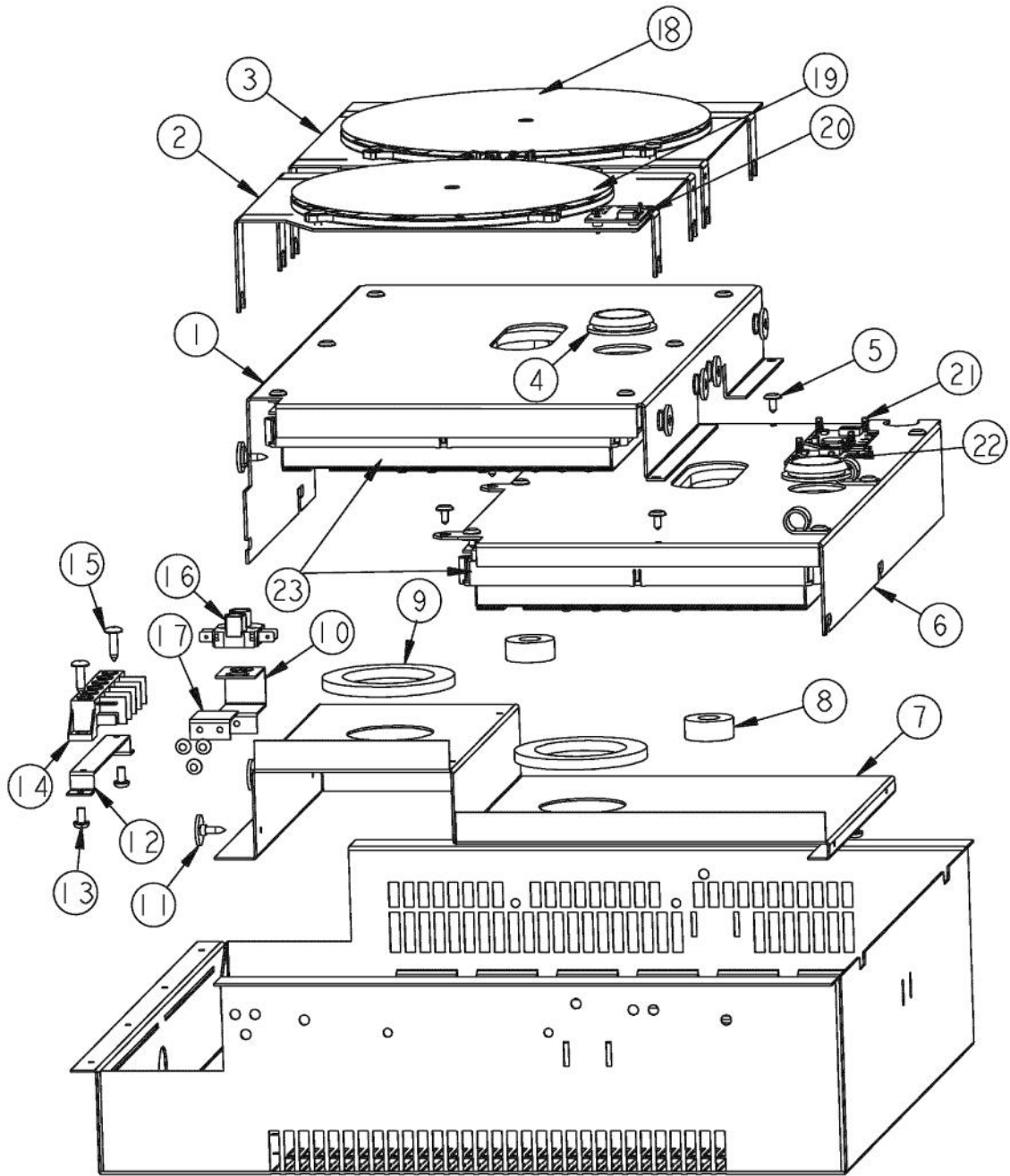


[Find Your VIKING Gas Range Parts - Select From 76 Models](#)

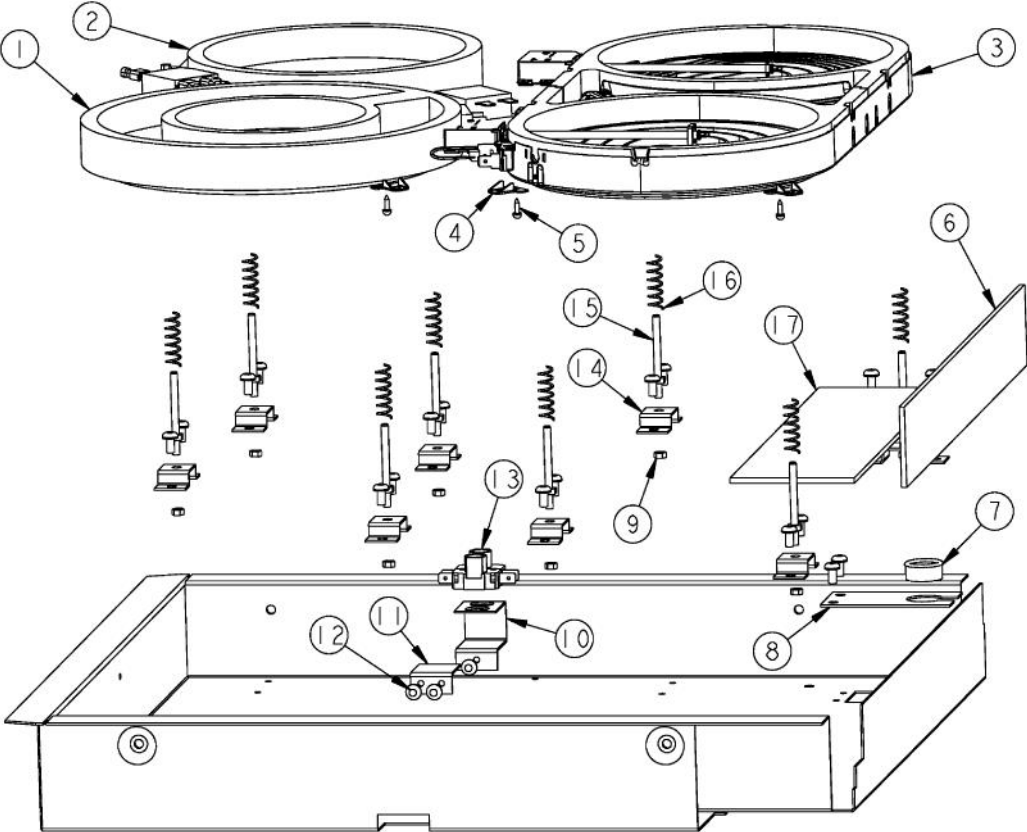
----- Manual continues below -----



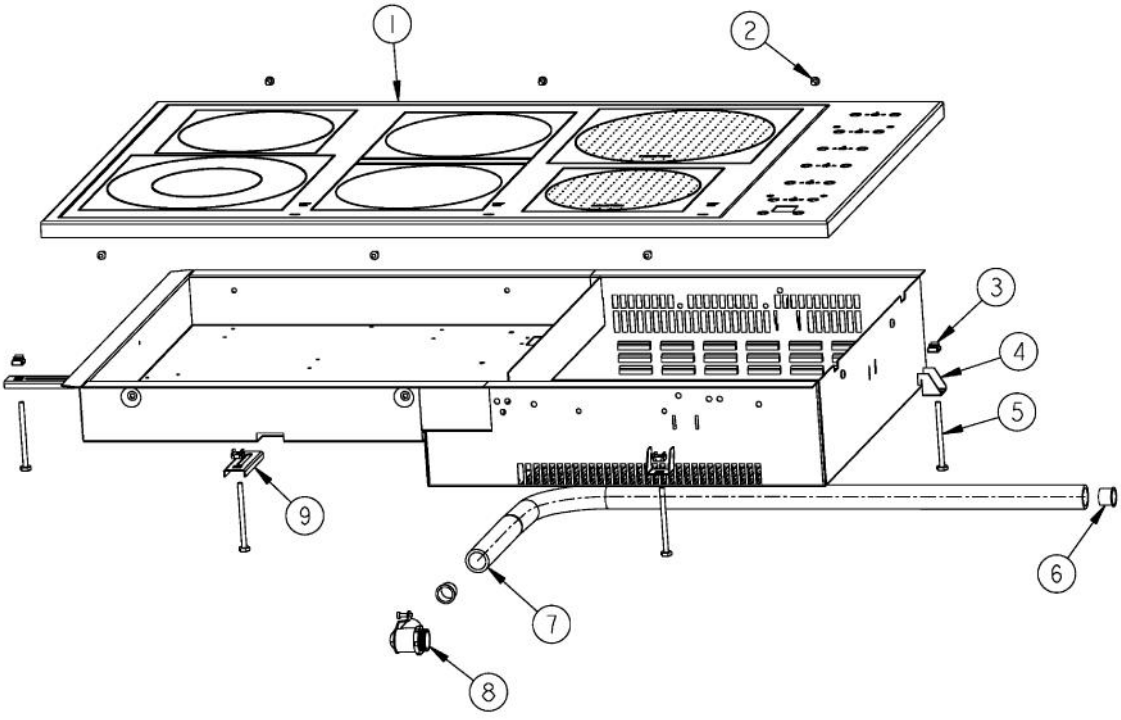
Ref #	Part Number	Qty.	Description
1	PE040334		VCCU PANEL GRAPHICS INLAY 36 BK
1	PE040337		VCCU PANEL GRAPHICS INLAY 36 WH
2	PE010191		2 1/2 VIKING LOGO BLACK/CHROME
2	PE010192		2 1/2 VIKING LOGO BLACK/BRASS
2	PE010193		2 1/2 VIKING LOGO WHITE/CHROME
2	PE010194		2 1/2 VIKING LOGO WHITE/BRASS
3	PE050187		POWER LIGHT LENS
4	G50012165BK		INDUCTION KNOB BEZEL ASSY XBKX
4	G50012165BKBR		INDUCTION KNOB BEZEL ASSY XBKBRX
4	G50012165WH		INDUCTION KNOB BEZEL ASSY XWHX
4	G50012165WHBR		INDUCTION KNOB BEZEL ASSY XWHBRX
5	G50012164BK		INFINITE KNOB BEZEL ASSY XBKX
5	G50012164BKBR		INFINITE KNOB BEZEL ASSY XBKBRX
5	G50012164WH		INFINITE KNOB BEZEL ASSY XWHX
5	G50012164WHBR		INFINITE KNOB BEZEL ASSY XWHBRX
6	PB010262		LOWER BEZEL
7	PE040251		36 ELECTRIC CONTROL PANEL
8	PD030137		CAPPED WASHER PAL NUT
9	PD030114		INDUCTION CONTROL NUT
10	PD040117		10 MM WASHER
11	003225-000		ROTARY INDUCTION CONTROL
12	PJ030028		DUAL INFINITE SWITCH
13	PJ030019		INFINITE SWITCH
14	PE050079		LENS OPENING
15	PB070078		SILICONE GASKET (DESU)
16	PD020044		NO.8-32 X 1/4 PH. TR. HD. M.S.
17	PD030006		CAPPED WASHER PAL NUT
18	003135-000	1	COIL, IND, 210MM
19	003134-000	1	COIL, IND, 180MM
20	003136-000	1	INDICATOR, IND, RED
21	003154-042	1	INDUCTION ADAPTOR COIL, 210MM
22	003154-041	1	INDUCTION ADAPTOR COIL, 180MM
23	003133-000	2	COOKTOP, GEN (SEE BOARD COMPONENTS PAGE FOR INDIVIDUAL PARTS)



Ref #	Part Number	Qty.	Description
1	003158-000		UPPER GENERATOR ASSY
2	003149-000		180MM COIL ASSY
3	003153-000		210MM COIL ASSY
4	PB070320		SILICONE EXTRUSION
5	PD020032		SRW-8(A)X3/8PH.WFR HD 7/16DIAXNICL
6	003157-000		LOWER GENERATOR ASSY
7	001846-000		FAN SHROUD
8	003592-000		CASED CORE
9	003820-000		INDUCTION FAN SEAL
10	A2005061		LIGHT COVER
11	PD020151		SHOULDER SCREW
12	A2005084		INDUCTION TERMINAL BOARD BRACKET
13	PD020004		10X3/8PH.HD.TYPE 25 REPL PD040125
14	PE070321		RANGE PREHEAT HARNESS
15	PD020014		10X3/4 PH TR HD SMS
16	PE050077		INDICATOR LIGHT
17	A2005062		LIGHT SUPPORT
18	003135-000		COIL, IND, 210MM
19	003134-000		COIL, IND, 180MM
20	003136-000		INDICATOR, IND, RED
21	003154-042		INDUCTION ADAPTOR COIL, 210MM
22	003154-041		INDUCTION ADAPTOR COIL, 180MM
23	003133-000		COOKTOP, GEN



Ref #	Part Number	Qty.	Description
1	PJ020002		ELEMENT 2200 (750)
2	PJ020003		ELEMENT
3	PJ020004		ELEMENT-(2)1800 X 800
4	PM010494		CERAMASPEED BRACKET
5	PD020013		TYPE AB NO.6 X 3/8 PH PAN HD. SMS
6	PB070197		INDUCTION INSULATION BOARD
7	PD040005		SNAP BUSHING - 7/8
8	A10010652		ROUTING PLATE
9	PD030012		6-32 HEX NUT
10	A2005061		LIGHT COVER
11	A2005062		LIGHT SUPPORT
12	PD020004		10X3/8PH.HD.TYPE 25 REPL PD040125
13	PE050077		INDICATOR LIGHT
14	A2005055		BOTTOM ELEMENT BRACKET (VESU)
15	PD010148		ELEMENT STUD
16	PC010006		GUIDE SPRING DESU
17	PB070198		INDUCTION INSULATION BOARD

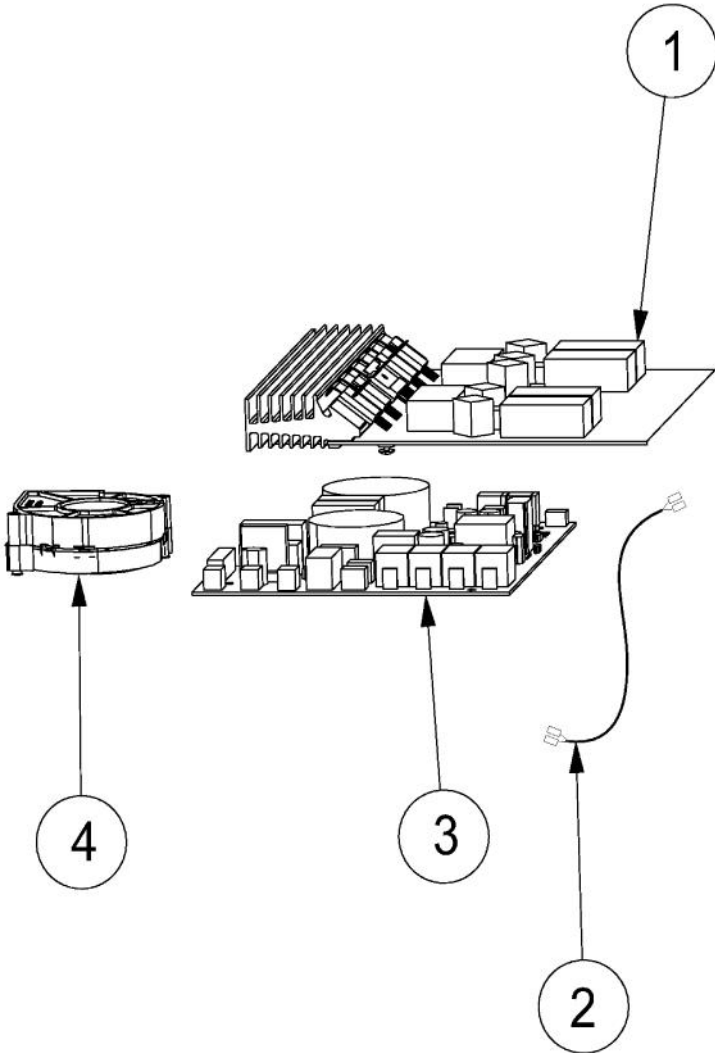


Ref #	Part Number	Qty.	Description
1	G50012149		36 VCCU TOP ASSY (BLACK)
1	G50012936		36 VCCU TOP ASSY (WHITE)
2	PD020004		10X3/8PH.HD.TYPE 25 REPL PD040125
3	PD030029		SELF RETAINING NUT (1/4-20)
4	A2005721		MOUNT BRACKET (DECU)
5	PD020123		BOLT 1/4-20 X 3 HEX HD
6	PD040131		CONDUIT GROMMET (3/4)
7	PB020259		3/4 CONDUIT
8	PB040259		90 DEG. 3/4 CONDUIT FITTING
9	A2003053		RET.BRKT VGSU101 REPL PG210006

Ref #	Part Number	Qty.	Description
-------	-------------	------	-------------

*No Image
Available*

Ref #	Part Number	Qty.	Description
NI	PE070456	1	36 4/2 INDUCTION HARNESS
NI	G4003016	1	GREEN - SUPPLY WIRE



Ref #	Part Number	Qty.	Description
1	0015132-000	1	POWER BOARD KIT - 3.2KW
2	015129-000	1	CABLE KIT
3	015131-000	1	FILTER BOARD KIT - 3.2KW
4	015127-000	1	FAN KIT