

This Owner's Manual is provided and hosted by [Appliance Factory Parts](#).



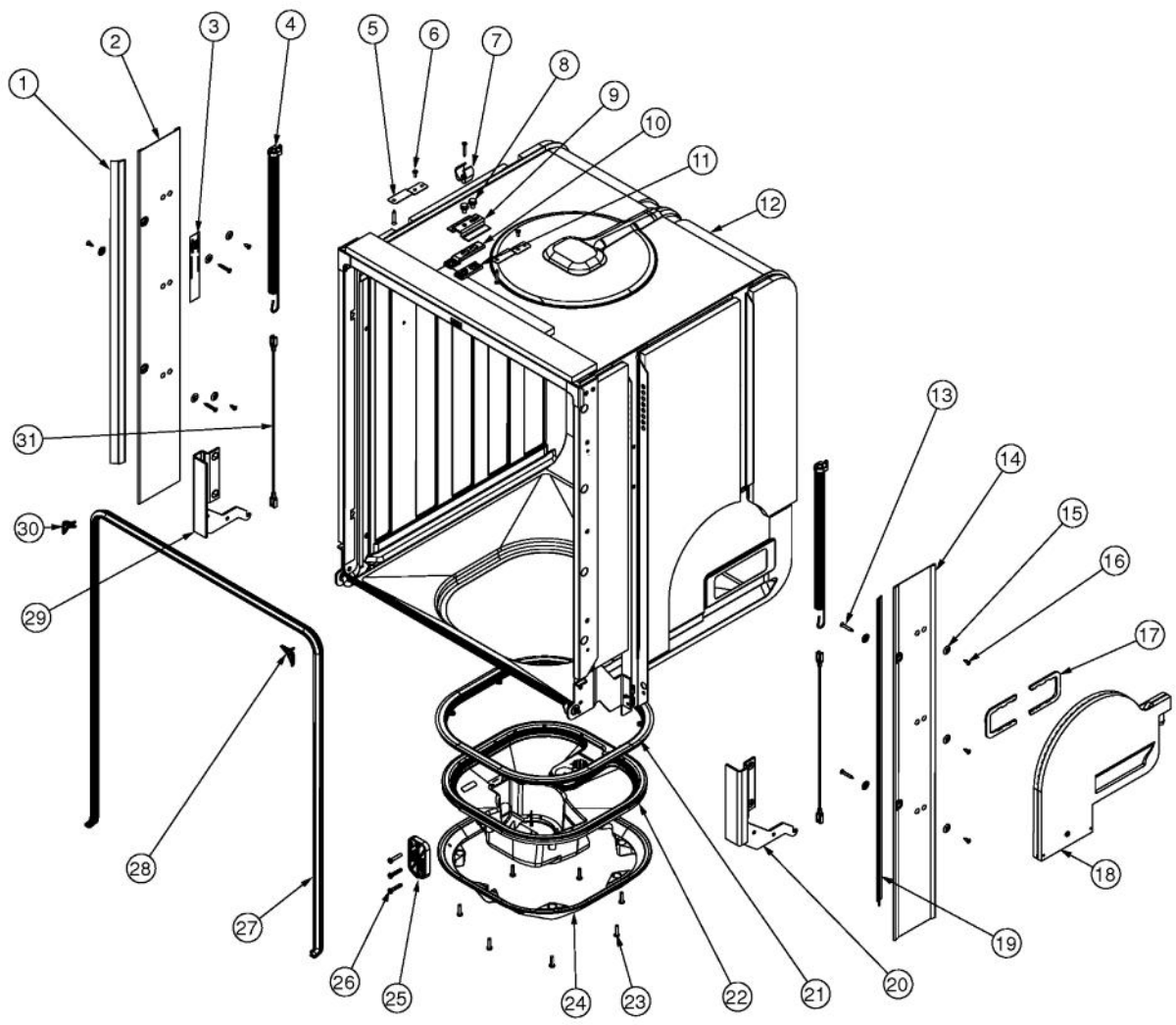
# VIKING DFB450E Owner's Manual

[Shop genuine replacement parts for VIKING DFB450E](#)

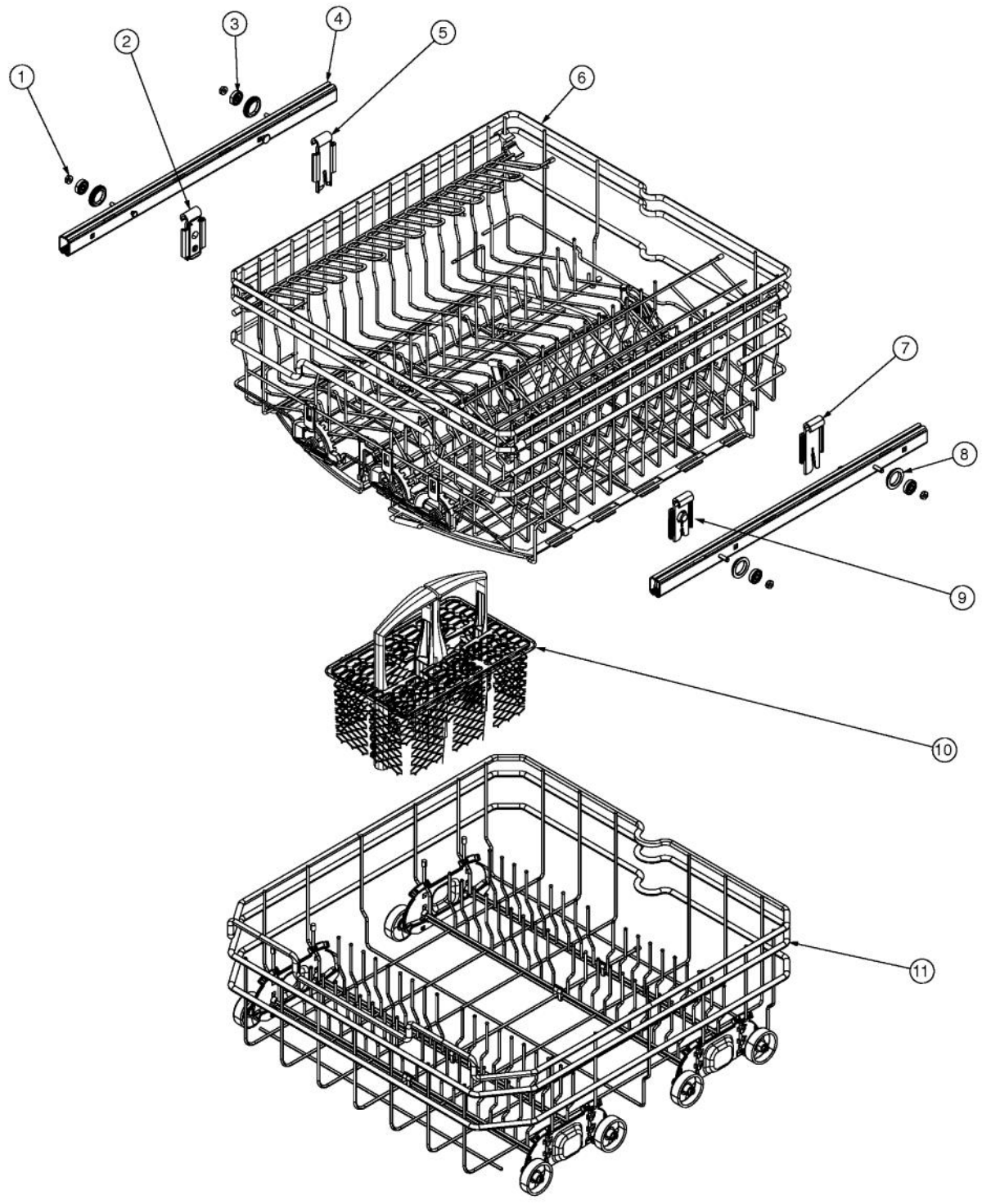


[Find Your VIKING Dishwasher Parts - Select From 36 Models](#)

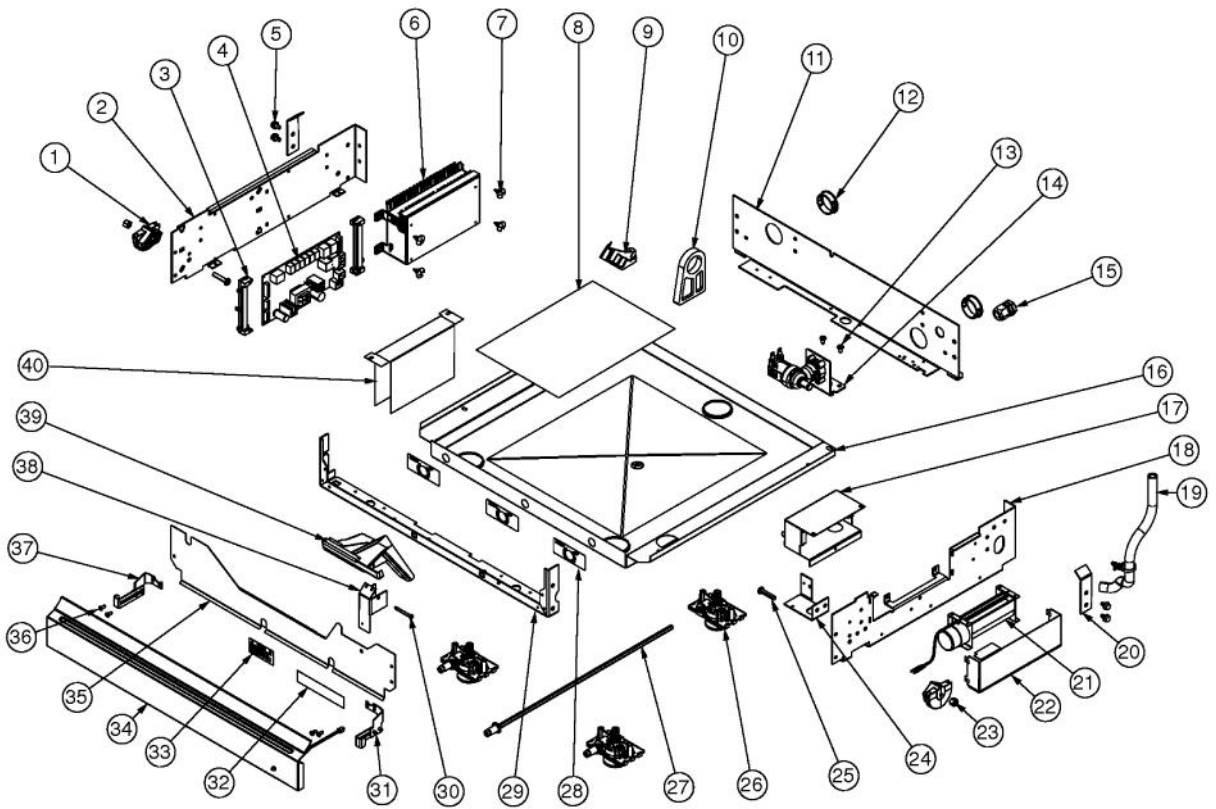
----- Manual continues below -----



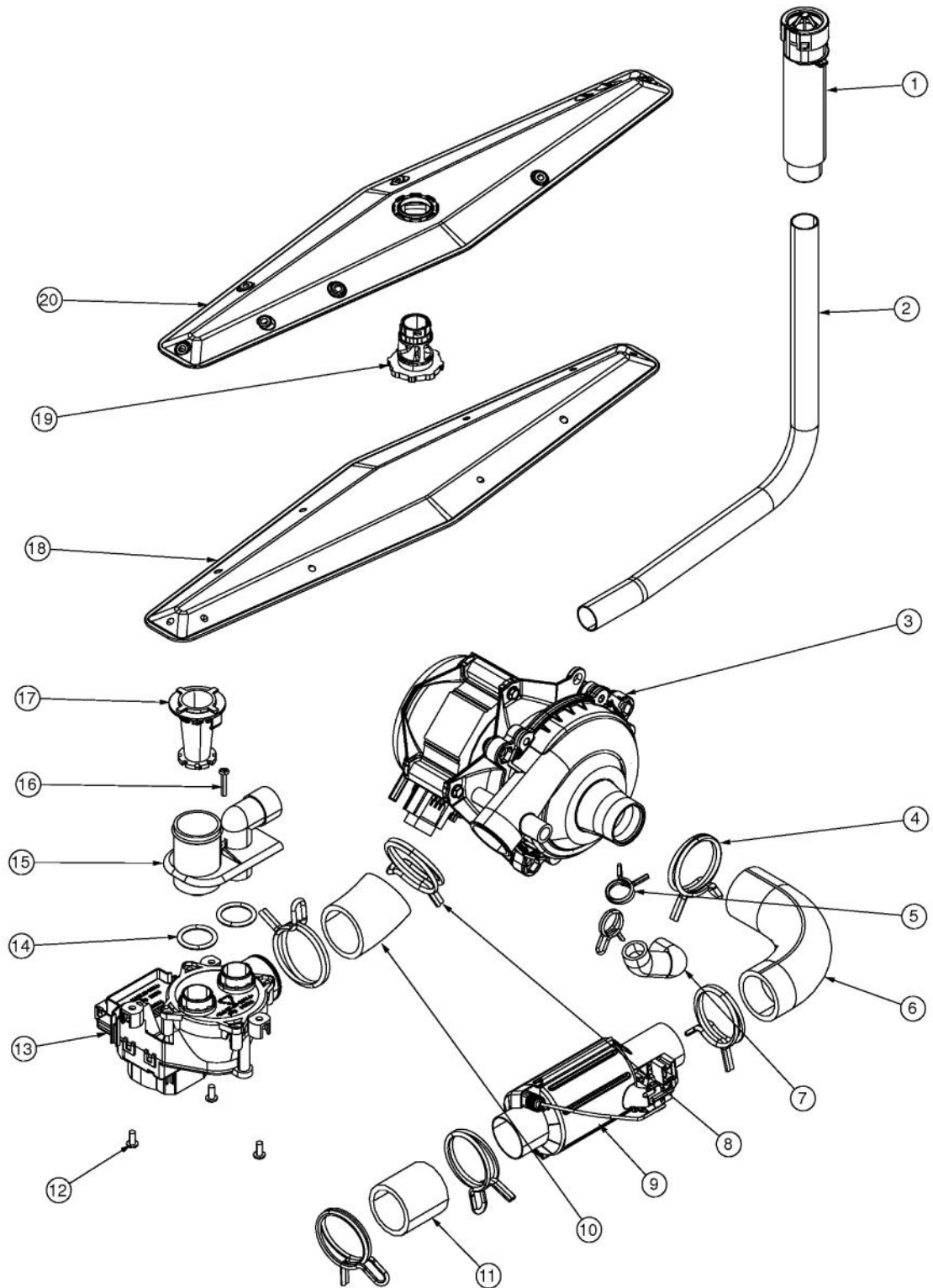
Ref #	Part Number	Qty.	Description
1	006992-000	1	EDGING, MOUNTING, TRIM
2	005042-000	1	TRIM, EXTN, LH
3	PE020111	1	PLATE, SERIAL
4	002298-000	2	DAMPENER ASSEMBLY, DOOR
5	000572-000	2	CLIP, MTG
6	PD020249	2	SCREW, NO.8-18 X 3/8, TYPE B, TORX, PAN HEAD, ZINC, BL...
7	002547-000	1	BRACKET, FLEX MTG
8	PD010019	2	BLT-1/4-20X3/8HEX WASHER SERATED
9	B20813638	1	MOUNT, STRIKER
10	000361-000	1	DOOR, STRIKER
11	000362-000	1	CLAMP, STRIKER
12	G50813644	1	TUB WELDMENT, BITUMEN, 450
13	001470-000	7	SCREW; NO.8, 18-8SS, FLAT HEAD, TORX, WOOD
14	005049-000	1	TRIM, EXTN, RH
15	000079-000	10	BUTTON,RTNR
16	PD020264	6	SCREW, 8-18 X 3/8, TORX, FLAT HEAD, 304 SS, TYPE AB
17	PK830276	2	LOCK, AIR & WATER INLET
18	008561-000	1	INLET, AIR & WATER
19	006992-000	1	EDGING, MOUNTING, TRIM
20	C93813632	1	HINGE, DOOR RIGHT PLATED
21	001070-000	1	GASKET, SUMP
22	G3088832	1	SUMP ASSEMBLY W/ PRESSURE SENSOR
23	PD020253	7	SCREW; NO.10 16X.75, 304SS, PLASTITE, PAN, TORX
24	006963-000	1	RING, SUMP RETAINER
25	004000-000	1	COVER, AIR CHAMBER-W/OVERMOLD
26	006828-000	3	10 X 1 T-25 TORX TAMPER-RESISTANT PIN PAN HEAD BOS...
27	PB870227	1	SEAL, DOOR PERIMETER
28	PK830412	1	FILLER, CORNER RIGHT
29	C93813631	1	HINGE, DOOR LEFT PLATED
30	PK830411	1	FILLER, CORNER LEFT
31	PM810487	2	DOOR DAMPENER CABLE



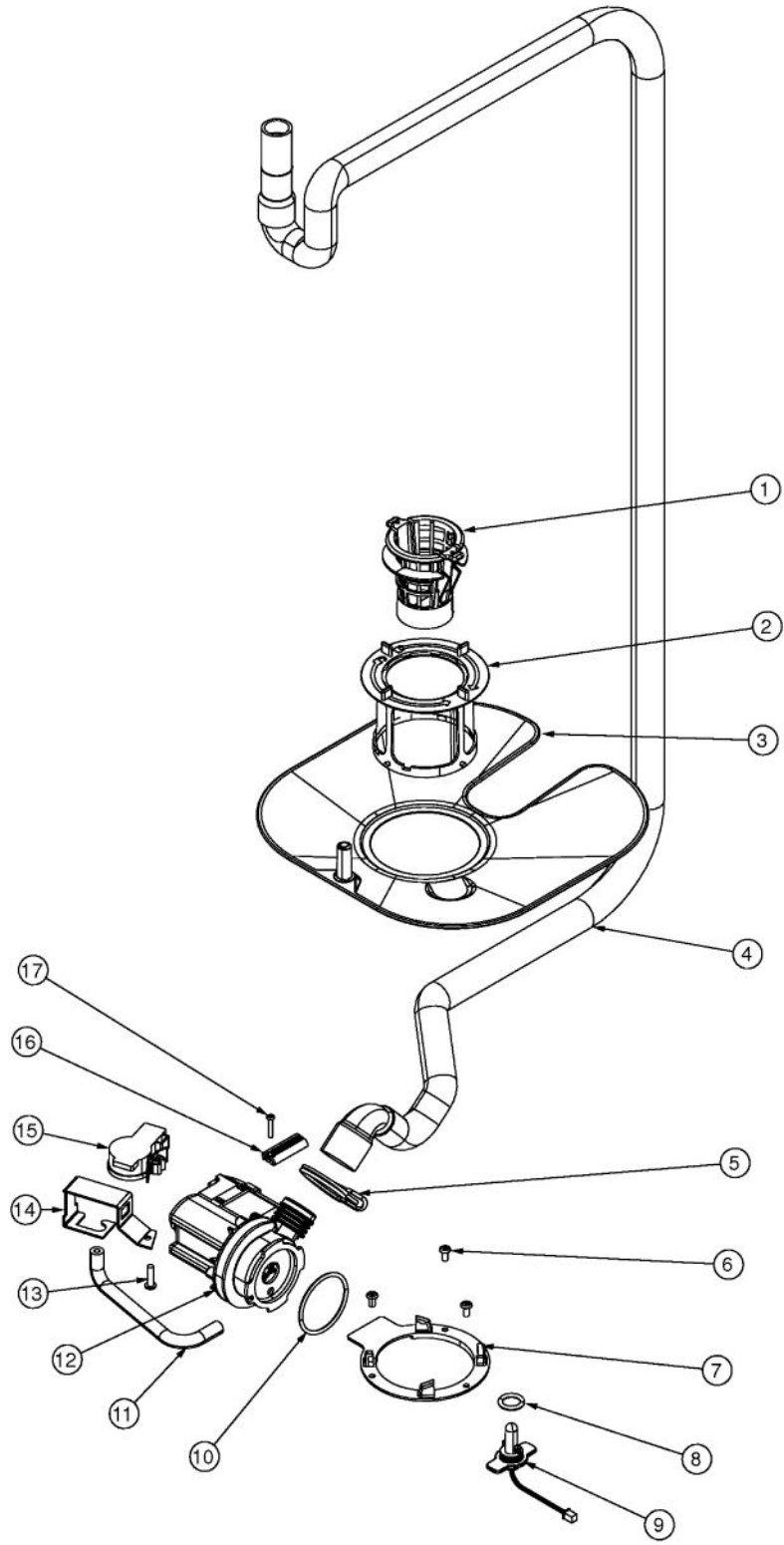
Ref #	Part Number	Qty.	Description
1	PD030156	4	NUT, W/TOOTHWASHER, ZINC, 10-32
2	005044-000	1	CLIP, RACK SLIDE-LEFT FRONT
3	PK030448	4	RACK SLIDE SPACER
4	005334-000	2	SLIDE, RACK
5	005039-000	1	CLIP, RACK SLIDE-LEFT REAR
6	G5088841	1	ULTRA PREMIUM UPPER RACK ASSEMBLY 450
7	006403-000	1	CLIP, RACK SLIDE-RIGHT REAR
8	PK030536	4	SLEEVE, SPACER
9	006404-000	1	CLIP, RACK SLIDE-RIGHT FRONT
10	G5088897	1	SILVERWARE BASKET ASSEMBLY
11	G5088895	1	ULTRA PREMIUM LOWER RACK ASSEMBLY 450
NI	PE050229	1	FLOOD SENSOR



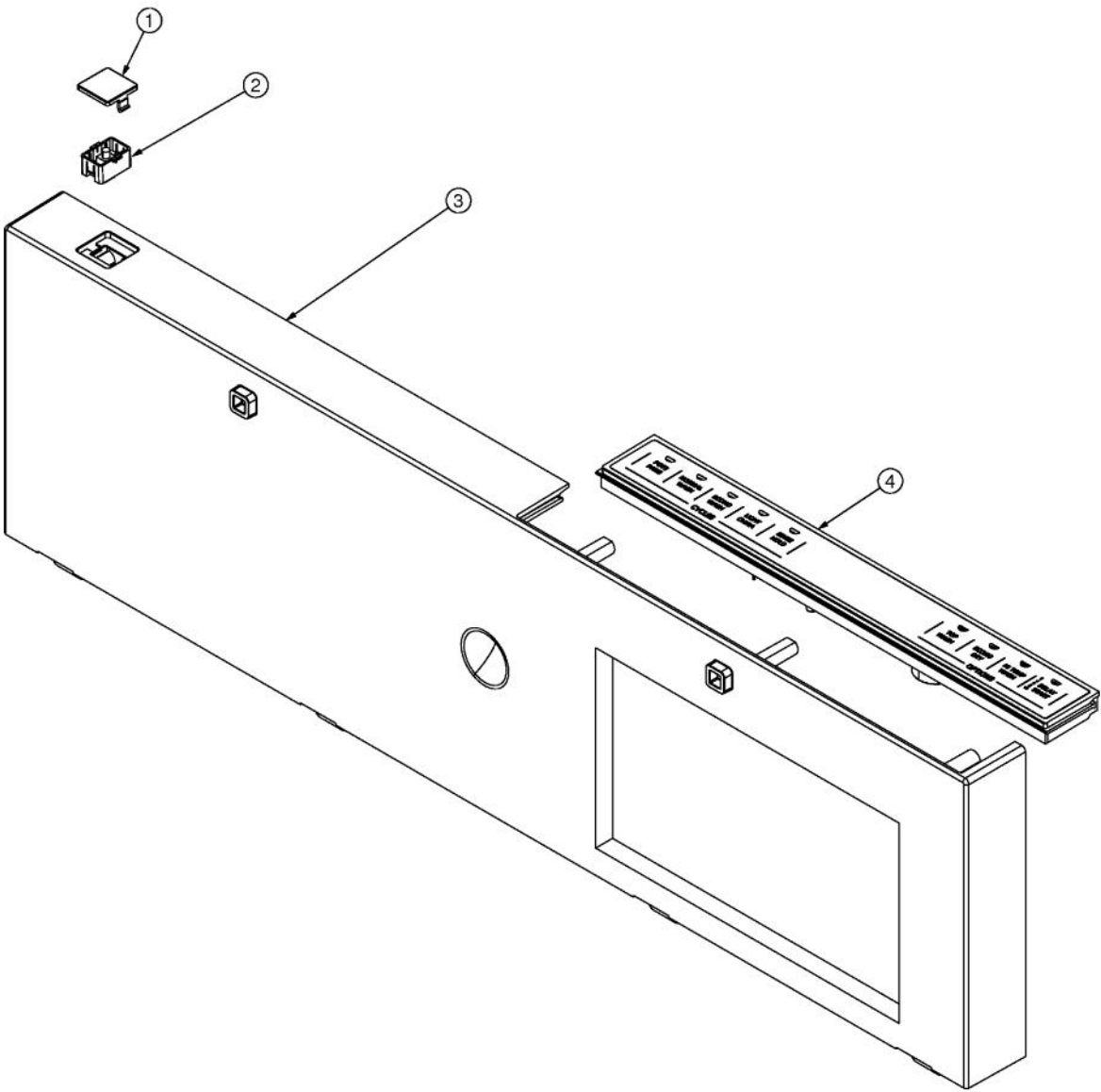
Ref #	Part Number	Qty.	Description
1	PM810488	2	DOOR DAMPENER PULLEY
2	023528-000	1	BASE, LEFT
3	PK030541	1	MOUNT, MACHINE CONTROLLER
4	023931-000	1	CONTROLLER, MACHINE, DISHWASHER
5	PD020255	4	1/4-20 X 3/8 HEX WSHR THD CUT ZINC
6	PE850191	1	ELECTRONIC MOTOR SPEED CONTROL MODULE
7	PC040020	4	NYLON TREE PUSH-IN RIVETS
8	F20698	1	DECAL, WIRING DIAGRAM
9	000380-000	1	SUPPORT, MOTOR
10	000370-000	1	MOUNT, MOTOR
11	023516-000	1	BASE, REAR
12	PD040163	2	BUSHING, POWER CORD
13	PD020250	2	SCREW; NO.10-32 X 3/8 TORX, PAN, ZINC, TYPE F
14	012180-000	1	VALVE, WATER, SINGLE SOLENOID
15	PE070209	1	STRAIN RELIEF
16	023489-000	1	PAN, BASE, BOTTOM
17	007300-000	1	COVER, BLO, HEATER
18	023423-000	1	BASE, RIGHT, 450
19	023731-000	1	HOSE, 13.5 INLET VALVE TO AIR & WATER INLET
20	K2088871	2	CLAMP, TUB REAR
21	014598-000	1	BLOWER MOTOR
22	K20813645	1	COVER, BLOWER
23	PD030179	2	1/4-20 HEX NYLON INSERT LOCK NUT
24	K20813641	1	BRACKET, POWER CORD
25	PD020265	2	1/4-20 X 1 1/4 TORX PAN HD MACHINE SCREW
26	G5088830	3	LEG LEVELING SYSTEM ASSEMBLY
27	PM810495	1	HEX BAR
28	PF031283	3	LABEL, LEVELING ARROWS
29	023534-000	1	BASE, FRONT
30	PD020215	1	SCREW, TYPE F, PAN, TORX, ZINC, 8-32 X 1.5, BLUNT
31	010851-000	1	BRACKET, ADJUSTABLE TOE KICK, RIGHT, ASSY
32	008797-000	1	LABEL, CAUTION, LEVELING LEG FEET
33	PF031188	1	WARNING DECAL
34	010984-000	1	PLATE, KICK, ASSY
35	025108-000	1	FRONT PANEL BRKT ASSY
36	PD020249	4	SCREW, NO.8-18 X 3/8, TYPE B, TORX, PAN HEAD, ZINC, BL...
37	010850-000	1	BRACKET, ADJUSTABLE TOE KICK, LEFT, ASSY
38	024110-000	1	BRACKET, OVERFLOW, MOUNTING
39	008560-000	1	CHANNEL, OVERFLOW
40	PB070338	1	SHIELD, DIELECTRIC



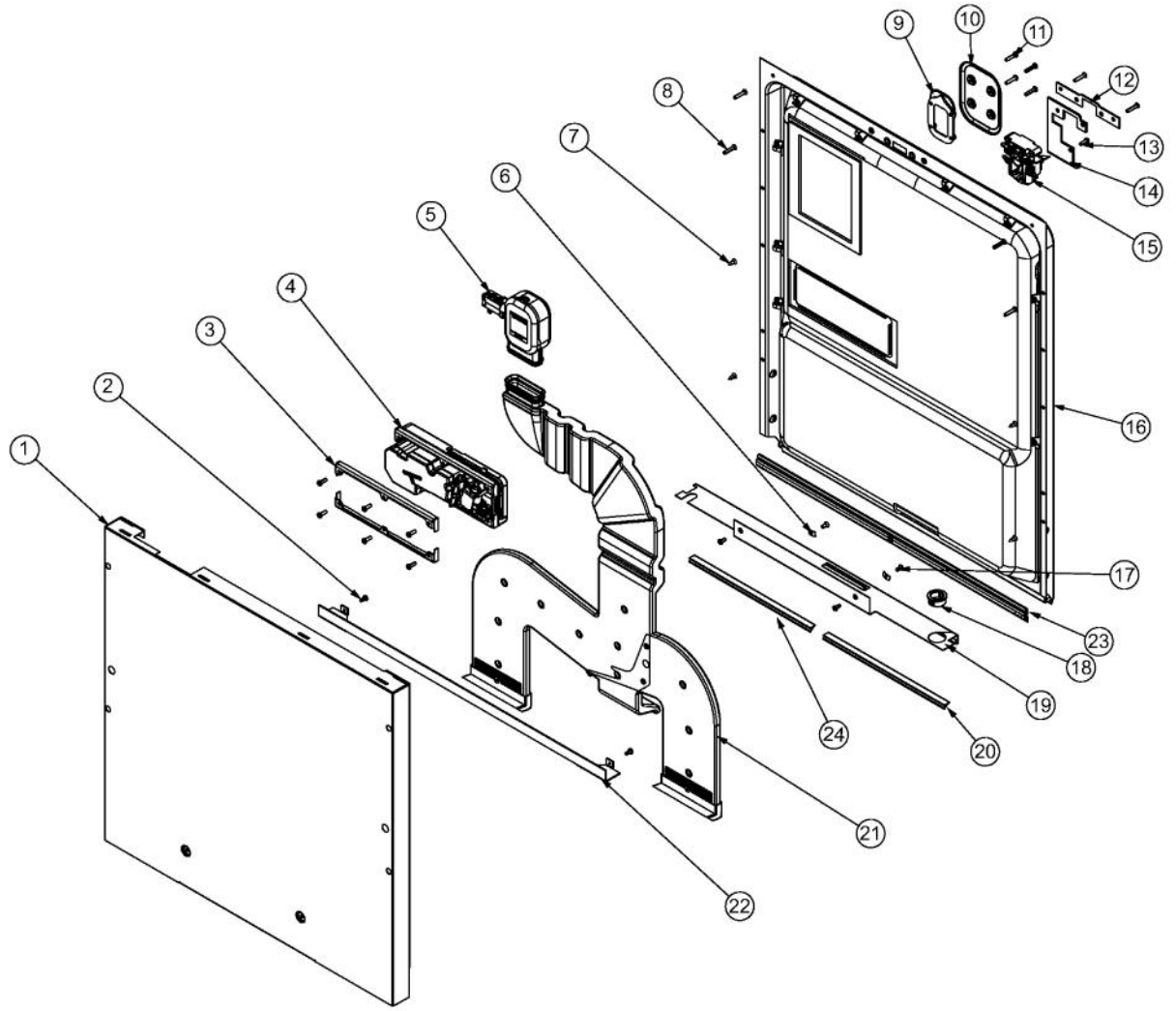
Ref #	Part Number	Qty.	Description
1	004062-000	1	REAR PORT ASSEMBLY
2	F2088867	1	CONDUIT, LOWER
3	019589-000	1	PUMP & MOTOR ASSEMBLY
4	PD030163	4	CLAMP, WIRE HOSE
5	PD030165	2	CLAMP, WIRE, HOSE
6	PB020262	1	HOSE, HEATER TO PUMP
7	PB020264	1	HOSE, PUMP TO PERIMETER SPRAYER
8	002283-000	2	CLAMP, DOUBLE WIRE, HOSE
9	016403-000	1	HEATER, FLOW THRU, 1200 WATT
NI	033790-000	1	450 SERIES HARNESS AND HEATER KIT (FOR UNITS MANUFACTURED FROM 6/1/2010 THRU 9/15/20...
10	PB020263	1	HOSE, PUMP TO DIVERTER VALVE
11	PB020261	1	HOSE, SUMP TO HEATER
12	PD020262	3	SCREW, 8-14X3/8 TORX, PAN HEAD, PLASTITE, 304 SS
13	PA810147	1	DIVERTER VALVE
14	PB870194	2	O-RING, DIVERTER VALVE
15	PM810359	1	VENTURI PLATE
16	PD020245	1	SCREW, NO.6-19 X 3/4 TORX, PAN HEAD, PLASTITE, 304SS
17	PK830260	1	LOWER SPRAY ARM VENTURI SPINDLE
18	G2188882	1	LOWER SPRAY ARM, ASSEMBLY
19	PK830375	1	MIDDLE SPRAY ARM LOCK NUT, 1/4 TURN
20	G2188879	1	MIDDLE SPRAY ARM, ASSEMBLY



Ref #	Part Number	Qty.	Description
1	PB880032	1	TRAP, GLASS
2	G5088865	1	FINE FILTER ASSEMBLY
3	019381-000	1	FILTER, PRIMARY ASSY
4	PB820205	1	HOSE, DRAIN
5	PD030164	1	CLAMP, DOUBLE WIRE, HOSE, .126
6	009039-000	3	SCREW, NO.10 X 3/8 PHIL PAN HD PLASTITE 18-8 PASSIVAT...
7	PD830110	1	FILTER LOCKING PLATE
8	PB870196	1	SUB TO 020784-000 - O-RING, LEVEL SENSOR
9	003457-000	1	SENSOR, TEMPERATURE ASSY
10	PB870195	1	O-RING, DRAIN PUMP
11	015785-000	1	TUBE, PRESSURE SENSOR
12	006521-000	1	PUMP, DRAIN ASM
13	PD020253	1	SCREW; NO.10 16X.75, 304SS, PLASTITE, PAN, TORX
14	006985-000	1	BRACKET, PRESSURE SENSOR
15	PD160016	1	PRESSURE SENSOR (8073839)
16	PK830239	1	DRAIN FILTER
17	PD020245	1	SCREW, NO.6-19 X 3/4 TORX, PAN HEAD, PLASTITE, 304SS



Ref #	Part Number	Qty.	Description
1	002702-000	1	BUTTON, START
2	PE050225	1	MAIN POWER SWITCH
3	033450-000	1	ASM, 450 CONSOLE & START SWITCH/BUTTON
4	024728-000	1	INTERFACE, USER, 450E ASSY



Ref #	Part Number	Qty.	Description
1	019051-000	1	DOOR, OUTER
2	PD020249	4	SCREW, NO.8-18 X 3/8, TYPE B, TORX, PAN HEAD, ZINC, BL...
3	PK050002	1	BRACKET, SOAP/RINSE-AID DISPENSER
4	PM810482	1	DETERGENT/RINSE AID DISPENSER
5	036009-000	1	ACTIVE VENT ASSY- SERVICE REPLACEMENT - VENT ONLY
NI	033135-000	1	ACTIVE VENT KIT
6	002550-000	2	TINNERMAN NUT
7	PD020264	4	SCREW, 8-18 X 3/8, TORX, FLAT HEAD, 304 SS, TYPE AB
8	PD020211	6	SCREW, PLASTITE, FLAT HEAD, TORX, 304SS, 8-16 X 0.75
9	PK030443	1	SPLASH GUARD SPACER
10	B2188858	1	SPLASH COVER
11	009613-000	4	NO.8-18 X 3/4 PASSIVATED HIGH-LOW SCREW
12	019464-000	1	SPACER, DOOR LATCH
13	008987-000	7	SCREW, NO.8 X 1/2 PAN TORX ZINC HIGH-LOW
14	000870-000	1	LATCH, BRACKET
15	013380-000	1	DOOR LATCH
16	025030-000	1	DOOR, INNER W BITUMEN 450
17	003655-000	2	NO.8-32 X 1/4 FLAT 18-8 PASSIVATED MACHINE TORX
18	009899-000	1	BUSHING, ENCLOSURE, HEATER, HEYCO SB-1.00-12
19	007675-000	1	BRACE, DOOR
20	025033-000	1	DOOR WIPER, 6
21	008402-000	1	ASM, INNER DOOR DUCT
22	K20813620	1	SPREADER, DOOR
23	014072-000	1	SEAL, DOOR, LOWER
24	025032-000	1	DOOR WIPER, 9 5/8