

This Owner's Manual is provided and hosted by [Appliance Factory Parts](#).



VIKING FDW301 Owner's Manual

[Shop genuine replacement parts for VIKING FDW301](#)



[Find Your VIKING Dishwasher Parts - Select From 36 Models](#)

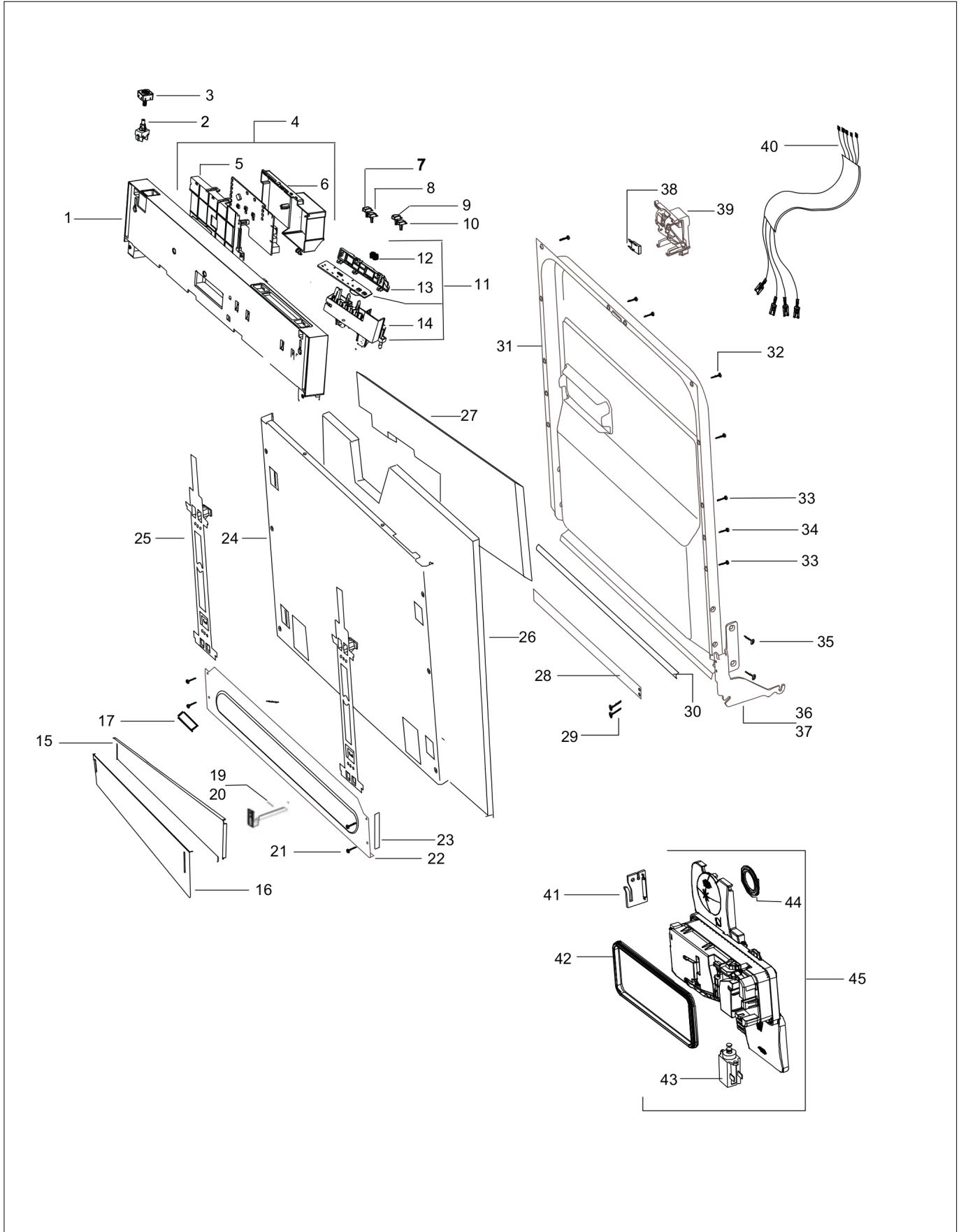
----- Manual continues below -----

FDW301

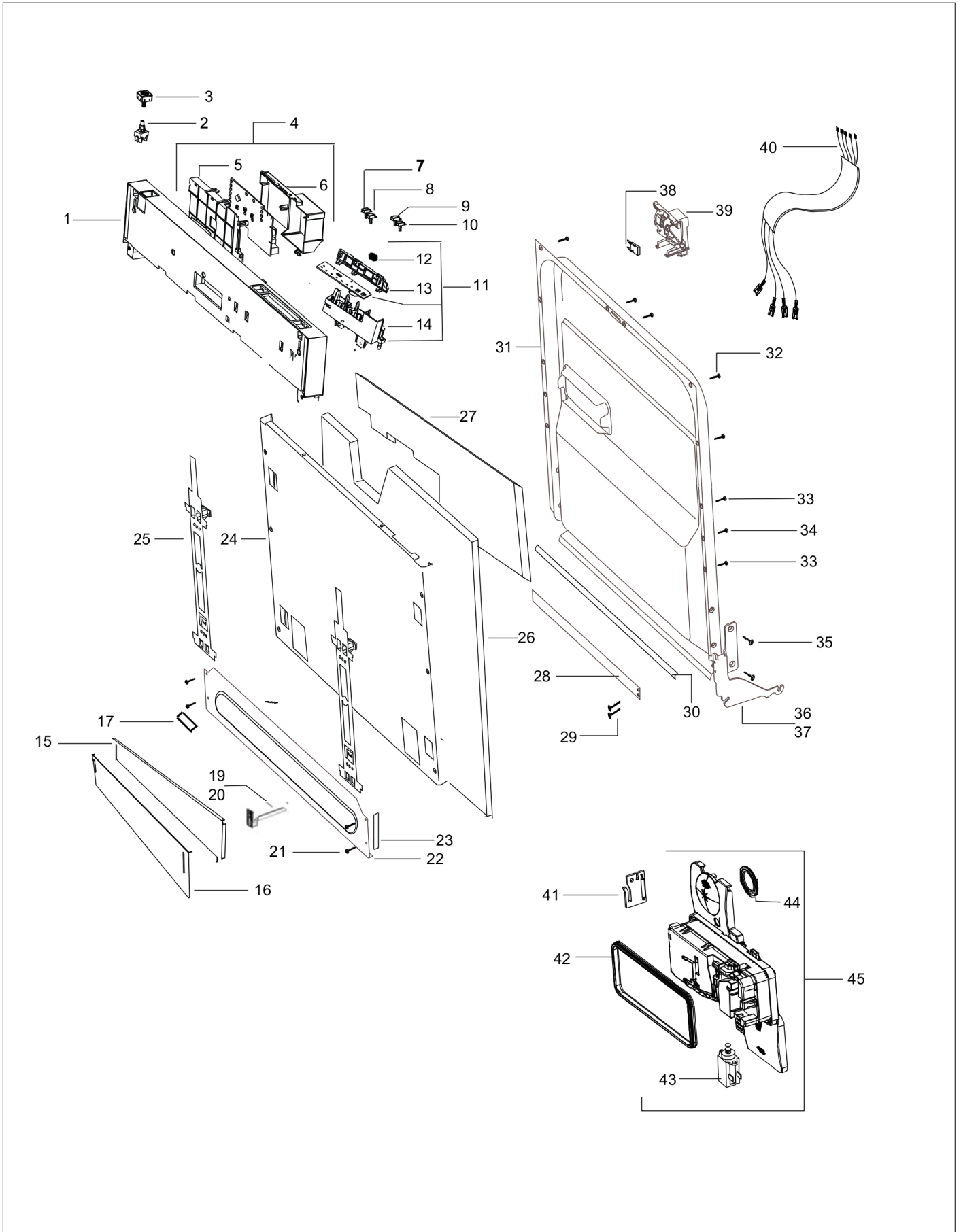
Contents

FDW301 Door Parts	1
FDW301 Tub Interior Parts	2
FDW301 Chassis Parts	3
Appendix A:Pages Index	A
Appendix B:Parts Index	B

FDW301 Door Parts

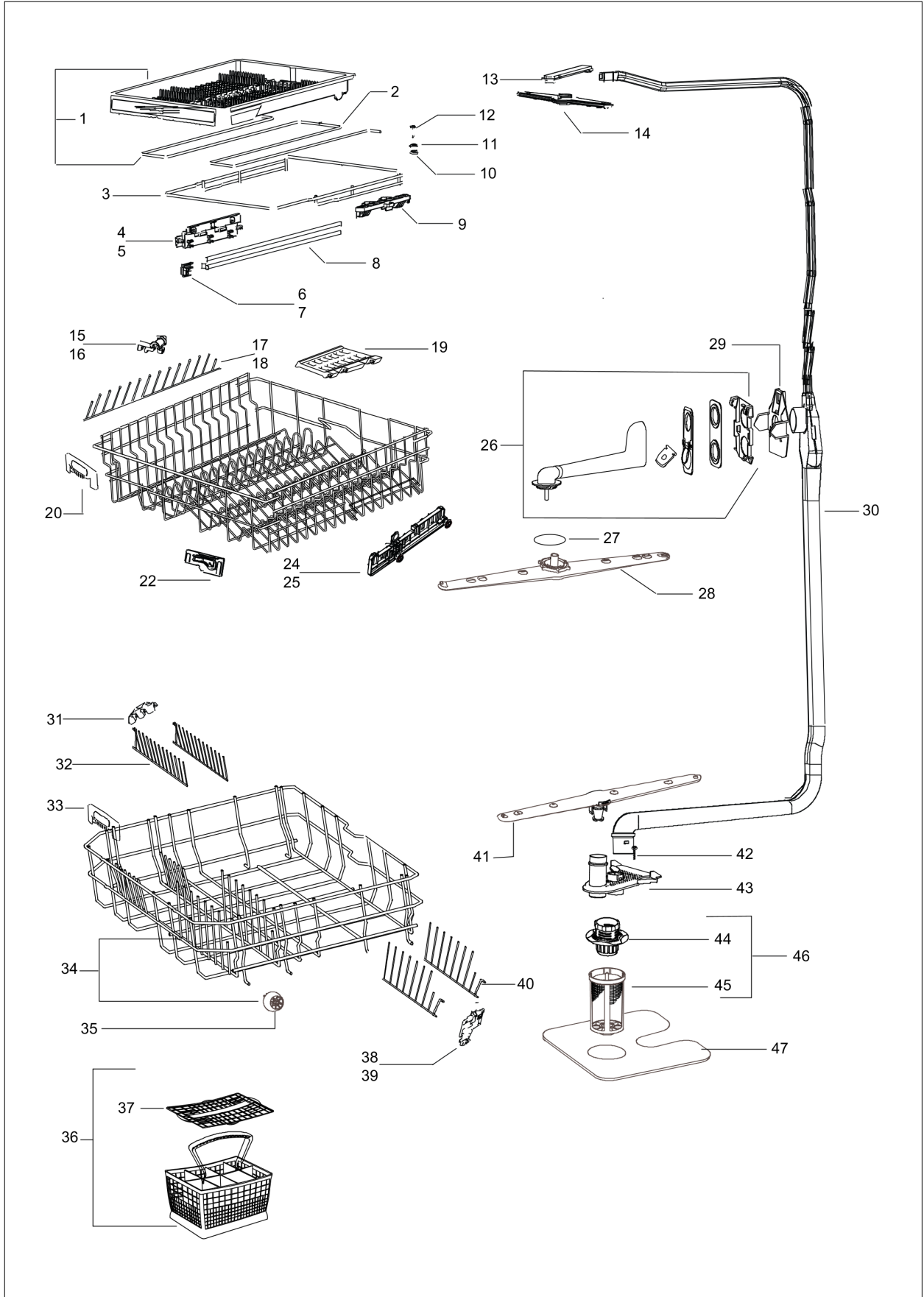


Item	Part No.	Name	Qty	Uom	NOTES
1	050823-000	PANEL GROUP	1	EA	
2	050824-000	rold on off switch	1	EA	
3	050825-000	ANKASTRE ON OFF TUSU STROKE 2.5MM	1	EA	
4	039837-000	ELECTRONIC CARD GROUP	1	EA	
5	039798-000	CARD HOLDER-FRONT	1	EA	
6	039800-000	CARD HOLDER-BACK	1	EA	
7	039852-000	CLAD F5 START STOP BUTTON PRINTED -BLACK	1	EA	
8	039851-000	F5 PRG. SECIM TUSU BASKILI - BLACK	1	EA	
9	050826-000	CLAD F5 HALF LOAD BUTOON PRINTED - BLACK	1	EA	
10	039854-000	CLAD F5 PROGRAM DELAY BUTTON - BLACK	1	EA	
11	059356-000	DISPLAY CARD GROUP	1	EA	
12	039795-000	BUTTON GASKET	2	EA	
13	039797-000	DISPLAY CARD HOLDER-BACK	1	EA	
14	039796-000	DISPLAY CARD HOLDER- FRONT	1	EA	
15	039926-000	KICK PLATE SHEET	1	EA	
16	039927-000	KICK PLATE SHEET	1	EA	
17	039928-000	KICK PLATE ADJUSTING LOCKER	1	EA	
19	039924-000	PLINTH ADJUSTMENT SHEET- LEFT	1	EA	
20	039925-000	PLINTH ADJUSTMENT SHEET- RIGHT	1	EA	
21	039876-000	SCREW	22	EA	
22	039773-000	KICK PLATE SHEET	1	EA	
23	039888-000	NOISE ISOLATION	2	EA	
24	039772-000	B_I OUTER DOOR TALL TUB	1	EA	
25	050828-000	BOARD CONNECTION PART	1	EA	
26	039903-000	DOOR INSULATION	1	EA	
27	039932-000	DOOR INSULATION	1	EA	
28	039935-000	HINGE ARM SUPPORT	1	EA	
29	039917-000	BOLT M4X8 D3731 D3421	25	EA	

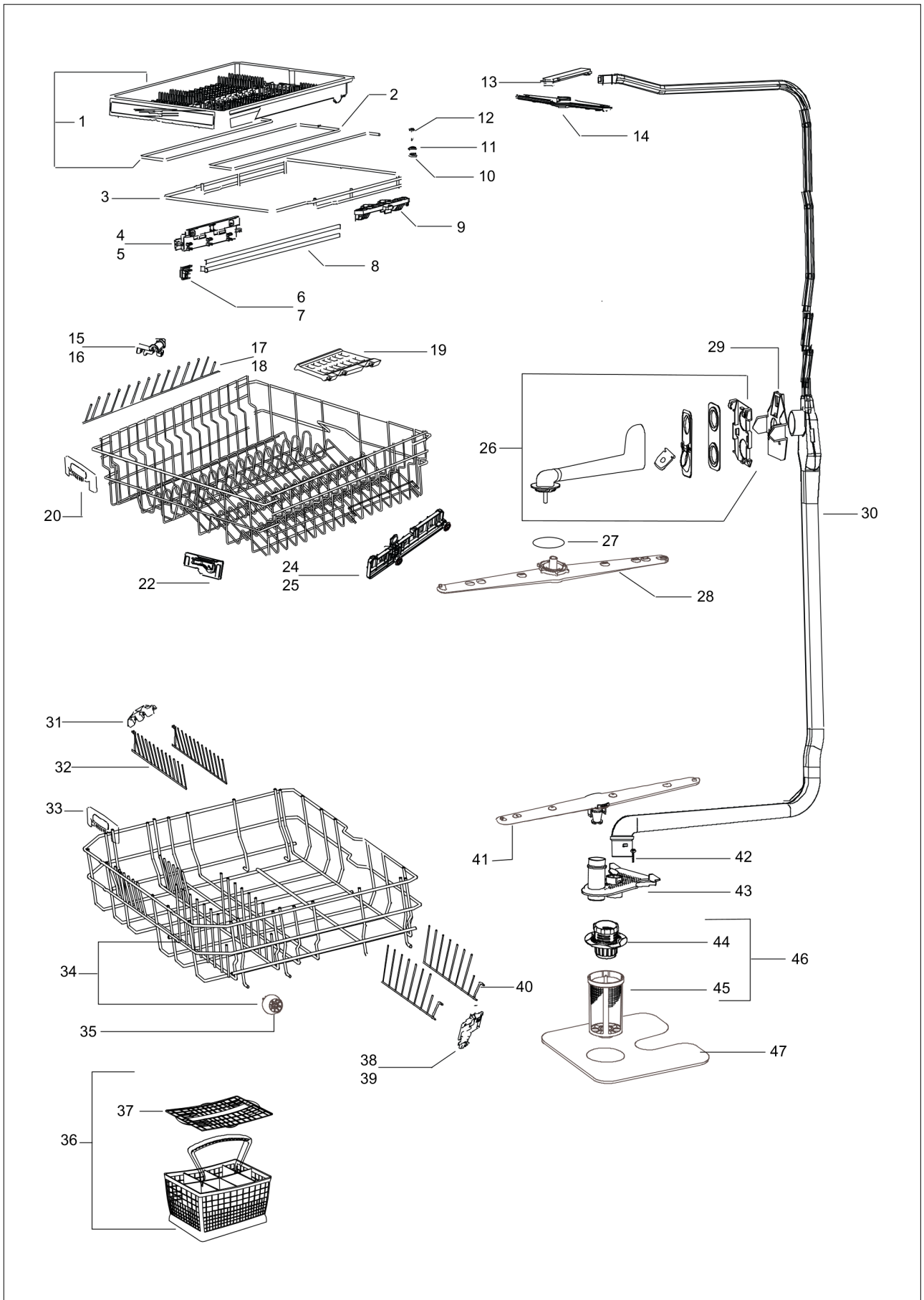


Item	Part No.	Name	Qty	Uom	NOTES
30	039908-000	DOOR SEALING GASKET - BOTTOM	1	EA	
31	039720-000	INNER DOOR GR	1	EA	
32	039914-000	SCREW	6	EA	
33	050829-000	SCREW	4	EA	
34	039912-000	INNER DOOR STOPER	2	EA	
35	039877-000	SCREW	4	EA	
36	039739-000	HINGE ARM-RIGHT	1	EA	
37	039738-000	HINGE ARM-LEFT	1	EA	
38	057469-000	NEW DOOR SWITCH	1	EA	
39	039778-000	DOOR LOCK GROUP	1	EA	
40	057491-000	F5 CABLE HARNESS UL	1	EA	
41	050831-000	RINSE AID GLASS	1	EA	
42	039714-000	DETERGENT DISPENSER GASKET	1	EA	
43	039882-000	THERMOACTUATOR D3731 D3421	1	EA	
44	039713-000	RINSE AID GASKET	1	EA	
45	050832-000	DETERGENT DISPENSER GROUP	1	EA	
NI	057473-000	PROGRAM END SIGNAL MODULE	1	EA	

FDW301 Tub Interior Parts

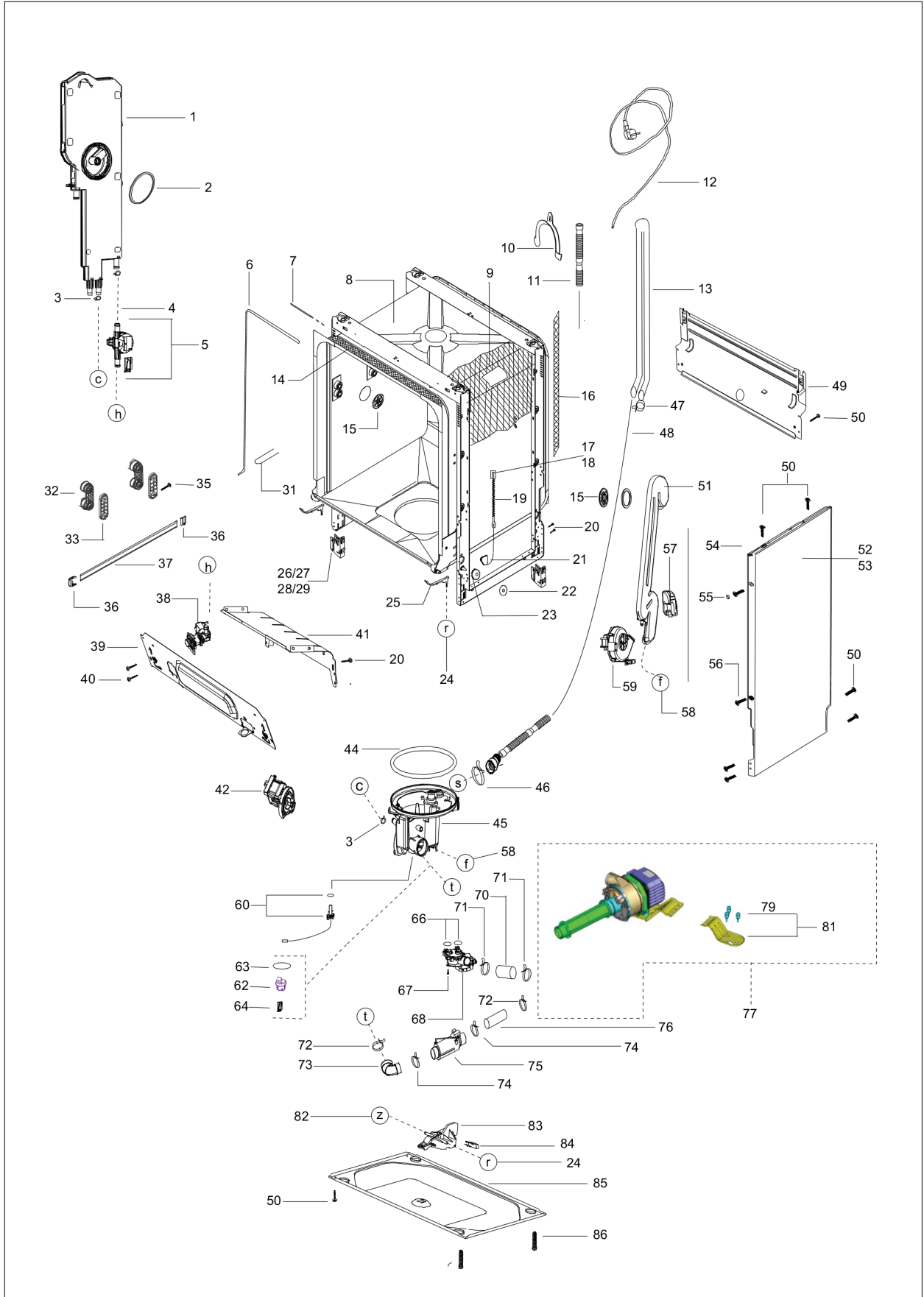


Item	Part No.	Name	Qty	Uom	NOTES
1	050808-000	UPPER TRAY GROUP	1	EA	
2	050809-000	UPPER TRAY FRAME WIRE	1	EA	
3	050810-000	UPPER TRAY HOLDER	1	EA	
4	050811-000	UPPER TRAY DRAWER HOLDER-LEFT	1	EA	
5	050812-000	UPPER TRAY DRAWER HOLDER-RIGHT	1	EA	
6	050813-000	UPPER TRAY RAIL CAP-RIGHT	1	EA	
7	050814-000	UPPER TRAY RAIL CAP-LEFT	1	EA	
8	050815-000	CEILING RAIL	2	EA	
9	050816-000	UPPER TRAY RAIL HOLDER	2	EA	
10	050817-000	CONNECTING WASHER	4	EA	
11	039868-000	O-RING (TURBIDITY)	4	EA	
12	039880-000	SCREW	4	EA	
13	039847-000	CEILING SPRAY ARM FEED PIPE	1	EA	
14	039841-000	CEILING SPRAY GROUP	1	EA	
15	039861-000	UPPER BASKET CLIPS	11	EA	
16	039783-000	FOLDING PART CLIPS RIGHT	1	EA	
17	039779-000	UPPER BASKET SUPPORT WIRE	1	EA	
18	050819-000	UPPER BASKET SUPPORT WIRE	1	EA	
19	039785-000	SHELF GROUP	4	EA	
20	039846-000	UPPER BASKET HANDLE GR	1	EA	
22	050820-000	GRD FOLDING PART	1	EA	
24	039786-000	UPPER BASKET MECHANISM- LEFT	1	EA	
25	039787-000	UPPER BASKET MECHANISM- RIGHT	1	EA	
26	039862-000	UPPER SPRAY ARM FEED PIPE	1	EA	
27	039870-000	GASKET	1	EA	
28	039892-000	UPPER SPRAY ARM GROUP	1	EA	
29	050882-000	UPPER SPRAY ARM GUIDE ADJUSTABLE BASKET	1	EA	
30	039840-000	WATER SUPPLY TUBE GROUP	1	EA	

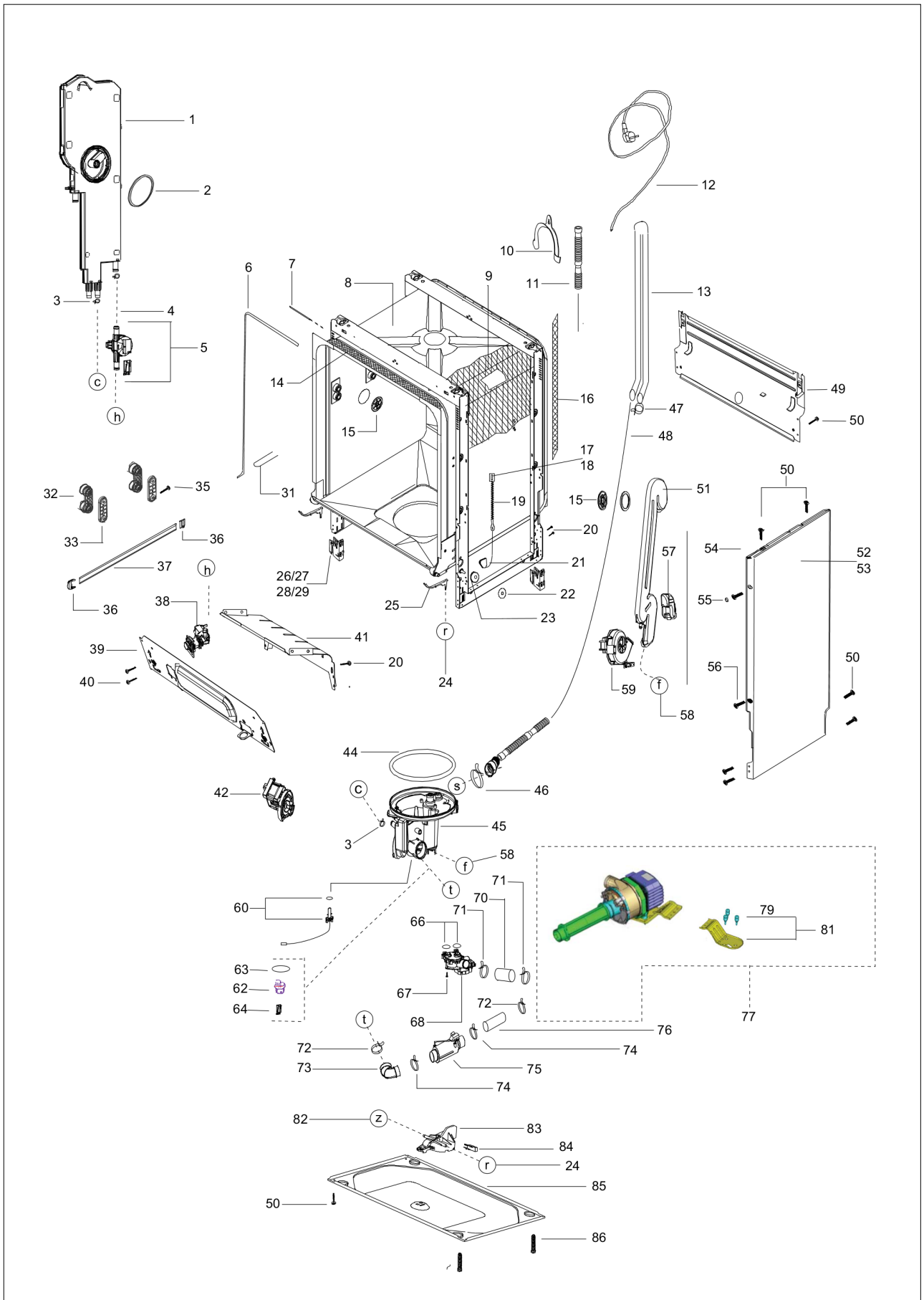


Item	Part No.	Name	Qty	Uom	NOTES
31	050821-000	LOWER BASKET CLIPS	3	EA	
32	039789-000	PLATE HOLDER-RIGHT	2	EA	
33	050883-000	LOWER BASKET HANDLE	1	EA	
34	050822-000	LOWER BASKET GROUP	1	EA	
35	050884-000	GRD LOWER BASKET SANTOPRENE WHEEL GROUP	8	EA	
36	039790-000	CUTLERY BASKET GROUP	1	EA	
37	039791-000	CUTLERY BASKET SEPARATOR	2	EA	
38	050884-000	GRD LOWER BASKET SANTOPRENE WHEEL GROUP	8	EA	
39	039857-000	LOWER BASKET FOLDING PART	1	EA	
40	039788-000	PLATE HOLDER-LEFT	2	EA	
41	039896-000	LOWER SPRAY ARM GROUP	1	EA	
42	039945-000	SCREW	5	EA	
43	039734-000	FILTER SUPPORT GROUP	1	EA	
44	039729-000	COARSE FILTER	1	EA	
45	039728-000	MICRO FILTER GROUP	1	EA	
46	039733-000	FILTER GROUP	1	EA	
47	039730-000	METAL FILTER GROUP	1	EA	

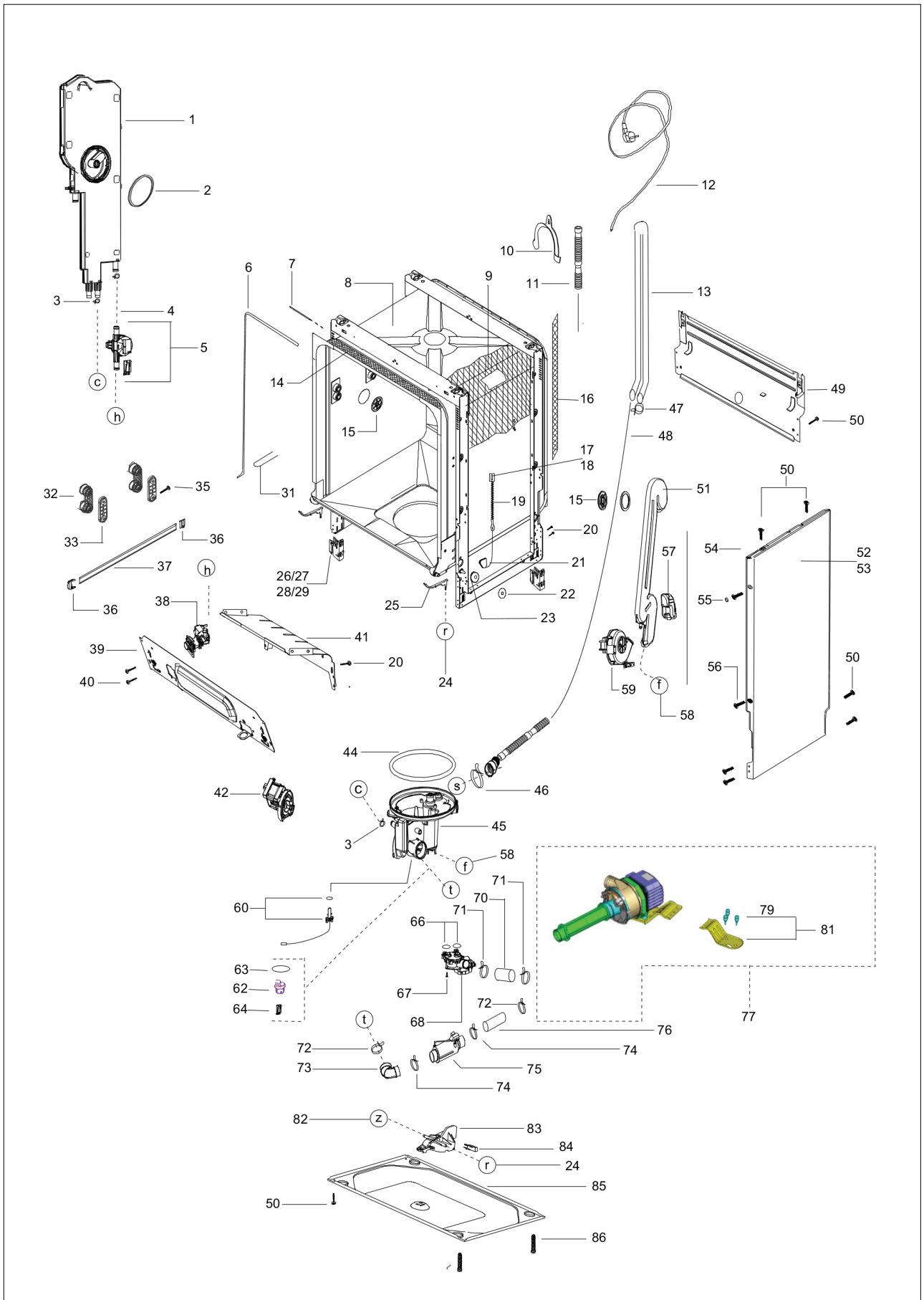
FDW301 Chassis Parts



Item	Part No.	Name	Qty	Uom	NOTES
1	050775-000	REGENERATION UNIT	1	EA	
2	050886-000	AIR FUNNEL GASKET	1	EA	
3	039958-000	HOSE CLAMP (Ø 15.88)	3	EA	
4	039866-000	HOSE BETWEEN COUNTER AND REGENERATION U.	1	EA	
5	050887-000	COUNTER GROUP	1	EA	
6	039769-000	DOOR SEALING GASKET	1	EA	
7	039904-000	NOISE ISOLATION FOR TUB RAL 7037.	1	EA	
8	057477-000	STRUCTURE GROUP	1	EA	
9	050777-000	INNER TUB ISOLATION	1	EA	
10	040591-000	Drain Hose Holder	1	EA	
11	039726-000	DRAIN HOSE	1	EA	
12	039949-000	MAIN PLUG EURO 120 V CANADA	1	EA	
13	039792-000	COLUMN ASSY	1	EA	
14	039923-000	DOOR LOCK COTTON FLEECE	1	EA	
15	050778-000	air funnel cup	2	EA	
16	039922-000	REAR FRAME COTTON FLEECE	1	EA	
17	039763-000	DOOR ADJUSTMENT GROUP-LEFT	1	EA	
18	039764-000	DOOR ADJUSTMENT GROUP-RIGHT	1	EA	
19	057495-000	HINGE SPRING	2	EA	
20	039917-000	BOLT M4X8 D3731 D3421	25	EA	
21	039894-000	HINGE ROPE GROUP	2	EA	
22	039883-000	WASHER	2	EA	
23	039893-000	HINGE WHEEL	2	EA	
24	039872-000	HOSE	1	EA	
25	039921-000	OVERFLOW SIPHON	2	EA	
26	050779-000	FOOT GROUP-ADJUSTABLE-RIGHT-FRONT	1	EA	
27	039941-000	FOOT GROUP-ADJUSTABLE-RIGHT-BACK	1	EA	
28	039942-000	FOOT GROUP-ADJUSTABLE-LEFT-FRONT	1	EA	



Item	Part No.	Name	Qty	Uom	NOTES
29	039943-000	Rear feet Adjustable LEFT BACK	1	EA	
31	039901-000	DOOR LOCK HOOK	1	EA	
32	050780-000	GRD BALL BEARING ROLLER GROUP	4	EA	
33	039777-000	RAIL WHEEL HOLDER	4	EA	
35	050781-000	SCREW	8	EA	
36	050782-000	rail cap front back	4	EA	
37	039887-000	RAIL	2	EA	
38	039756-000	WATER INLET VALVE	1	EA	
39	039773-000	KICK PLATE SHEET	1	EA	
40	039761-000	SCREW	2	EA	
41	039885-000	LOWER SUPPORT - FRONT	1	EA	
42	039758-000	DRAIN PUMP GROUP	1	EA	
44	039722-000	SUMP GASKET	1	EA	
45	050783-000	SUMP GROUP	1	EA	
46	039954-000	Hose Clamp	1	EA	
47	039952-000	HOSE CLAMP (Ø 28_7)	2	EA	
48	039725-000	DRAIN HOSE	1	EA	
49	050891-000	REAR BOTTOM SUPPORT	1	EA	
50	039876-000	SCREW	22	EA	
51	050784-000	FAN SUCTION PIPE	1	EA	
52	050785-000	SIDE PANEL-LEFT	1	EA	
53	050795-000	SIDE PANEL-RIGHT	1	EA	
54	039888-000	NOISE ISOLATION	2	EA	
55	050892-000	SCREW CAP SIDE WALLS	4	EA	
56	039876-000	SCREW	4	EA	
57	050796-000	FAN OUTLET PIPE	1	EA	
58	050797-000	HOSE BETWEEN FAN AND SUMP	2	EA	
59	050719-000	FAN MOTOR GROUP	1	EA	
60	039933-000	NTC GROUP	1	EA	
62	039900-000	TURBIDITY FRAME	1	EA	
63	039868-000	O-RING (TURBIDITY)	1	EA	



Item	Part No.	Name	Qty	Uom	NOTES
64	039950-000	TURBIDITY CARD AND LED HOLDER GR	1	EA	
66	039902-000	O-RING (FLOW DIVERTER)	2	EA	
67	039880-000	SCREW	4	EA	
68	039863-000	THREE WAY VALVE	1	EA	
70	050798-000	HOSE	1	EA	
71	039957-000	HOSE CLAMP	1	EA	
72	050799-000	HOSE CLAMP	1	EA	
73	039723-000	HOSE BETWEEN SUMP AND HEATER	1	EA	
74	050800-000	SUMP CLAMP SCREW TYPE.	1	EA	
75	039757-000	FLOW THROUGH HEATER	1	EA	
76	050801-000	PUMP INLET HOSE	1	EA	
77	050802-000	MOTOR_SPRAY PUMP	1	EA	
79	050803-000	CIRCULATION PUMP DAMPENING RUBBER	3	EA	
81	050804-000	MOTOR BRACKET GROUP	1	EA	
82	039873-000	HOSE	1	EA	
83	039934-000	OVERFLOW FLOAT GROUP	1	EA	
84	039913-000	MICRO SWITCH	1	EA	
85	039886-000	BOTTOM TRAY	1	EA	
86	039889-000	FOOT GROUP-ADJUSTABLE	4	EA	
NI	057470-000	DUAL SPRING HOLDER TOP PART	2	EA	
NI	057471-000	DUAL SPRING HOLDER LOWER PART	2	EA	
NI	057472-000	FRAME COVER PART	1	EA	
NI	057484-000	INNER_LIGHTING_TRANSFORMER	1	EA	
NI	057483-000	INNER ILLUMINATION CARD HOLDER GR	1	EA	
NI	057496-000	SCREW	1	EA	



Appendix A:Pages Index

FDW301 Chassis Parts 3
FDW301 Door Parts 1
FDW301 Tub Interior Parts 2



Appendix B:Parts Index

039713-000	1	039837-000	1
039714-000	1	039840-000	2
039720-000	1	039841-000	2
039722-000	3	039846-000	2
039723-000	3	039847-000	2
039725-000	3	039851-000	1
039726-000	3	039852-000	1
039728-000	2	039854-000	1
039729-000	2	039857-000	2
039730-000	2	039861-000	2
039733-000	2	039862-000	2
039734-000	2	039863-000	3
039738-000	1	039866-000	3
039739-000	1	039868-000	2, 3
039756-000	3	039870-000	2
039757-000	3	039872-000	3
039758-000	3	039873-000	3
039761-000	3	039876-000	1, 3, 3
039763-000	3	039877-000	1
039764-000	3	039880-000	2, 3
039769-000	3	039882-000	1
039772-000	1	039883-000	3
039773-000	1, 3	039885-000	3
039777-000	3	039886-000	3
039778-000	1	039887-000	3
039779-000	2	039888-000	1, 3
039783-000	2	039889-000	3
039785-000	2	039892-000	2
039786-000	2	039893-000	3
039787-000	2	039894-000	3
039788-000	2	039896-000	2
039789-000	2	039900-000	3
039790-000	2	039901-000	3
039791-000	2	039902-000	3
039792-000	3	039903-000	1
039795-000	1	039904-000	3
039796-000	1	039908-000	1
039797-000	1	039912-000	1
039798-000	1	039913-000	3
039800-000	1	039914-000	1
		039917-000	1, 3



039921-000	3	050802-000	3
039922-000	3	050803-000	3
039923-000	3	050804-000	3
039924-000	1	050808-000	2
039925-000	1	050809-000	2
039926-000	1	050810-000	2
039927-000	1	050811-000	2
039928-000	1	050812-000	2
039932-000	1	050813-000	2
039933-000	3	050814-000	2
039934-000	3	050815-000	2
039935-000	1	050816-000	2
039941-000	3	050817-000	2
039942-000	3	050819-000	2
039943-000	3	050820-000	2
039945-000	2	050821-000	2
039949-000	3	050822-000	2
039950-000	3	050823-000	1
039952-000	3	050824-000	1
039954-000	3	050825-000	1
039957-000	3	050826-000	1
039958-000	3	050828-000	1
040591-000	3	050829-000	1
050719-000	3	050831-000	1
050775-000	3	050832-000	1
050777-000	3	050882-000	2
050778-000	3	050883-000	2
050779-000	3	050884-000	2, 2
050780-000	3	050886-000	3
050781-000	3	050887-000	3
050782-000	3	050891-000	3
050783-000	3	050892-000	3
050784-000	3	057469-000	1
050785-000	3	057470-000	3
050795-000	3	057471-000	3
050796-000	3	057472-000	3
050797-000	3	057473-000	1
050798-000	3	057477-000	3
050799-000	3	057483-000	3
050800-000	3	057484-000	3
050801-000	3	057491-000	1



057495-000	3
057496-000	3
059356-000	1