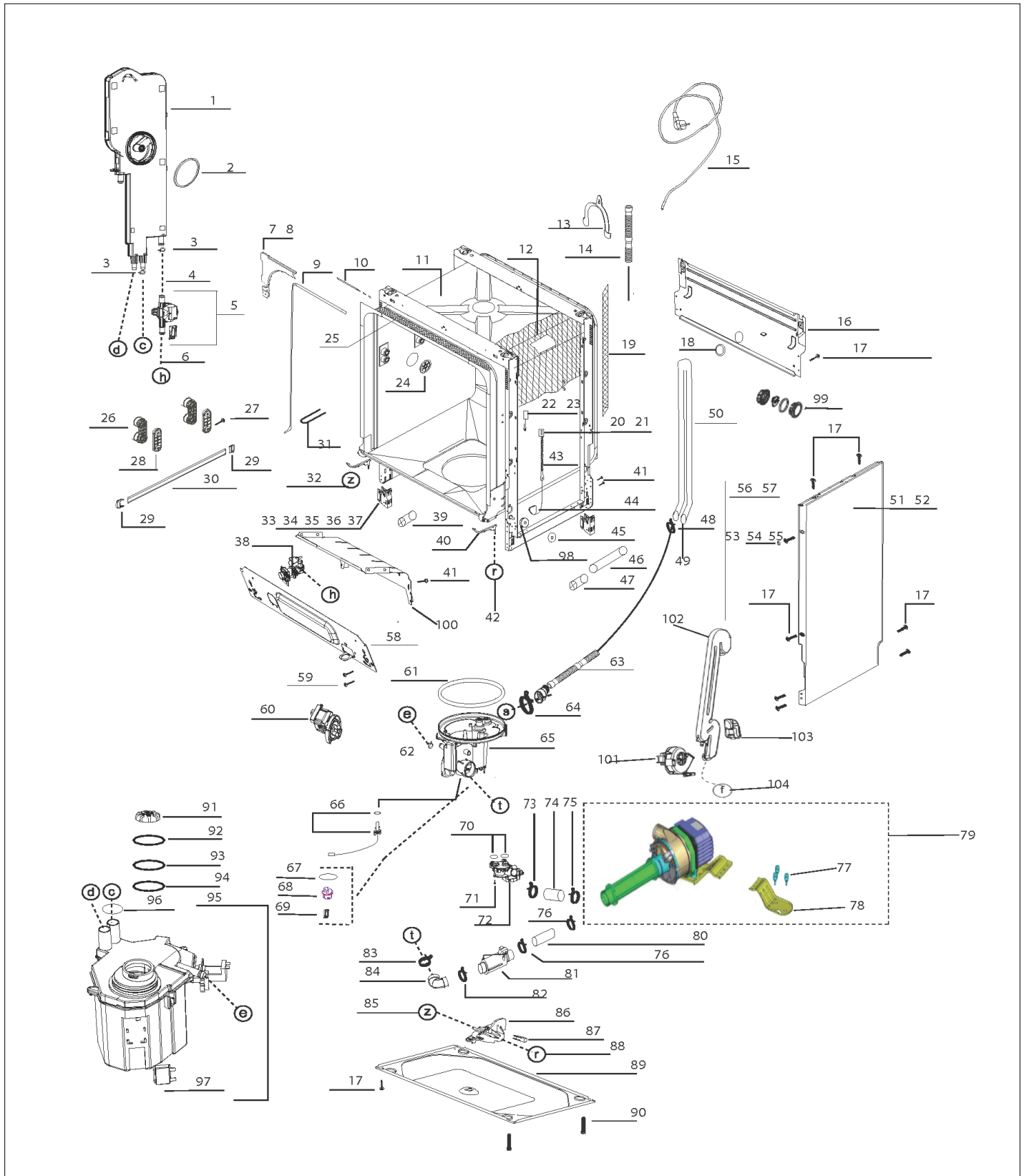


# **FDW302WS**

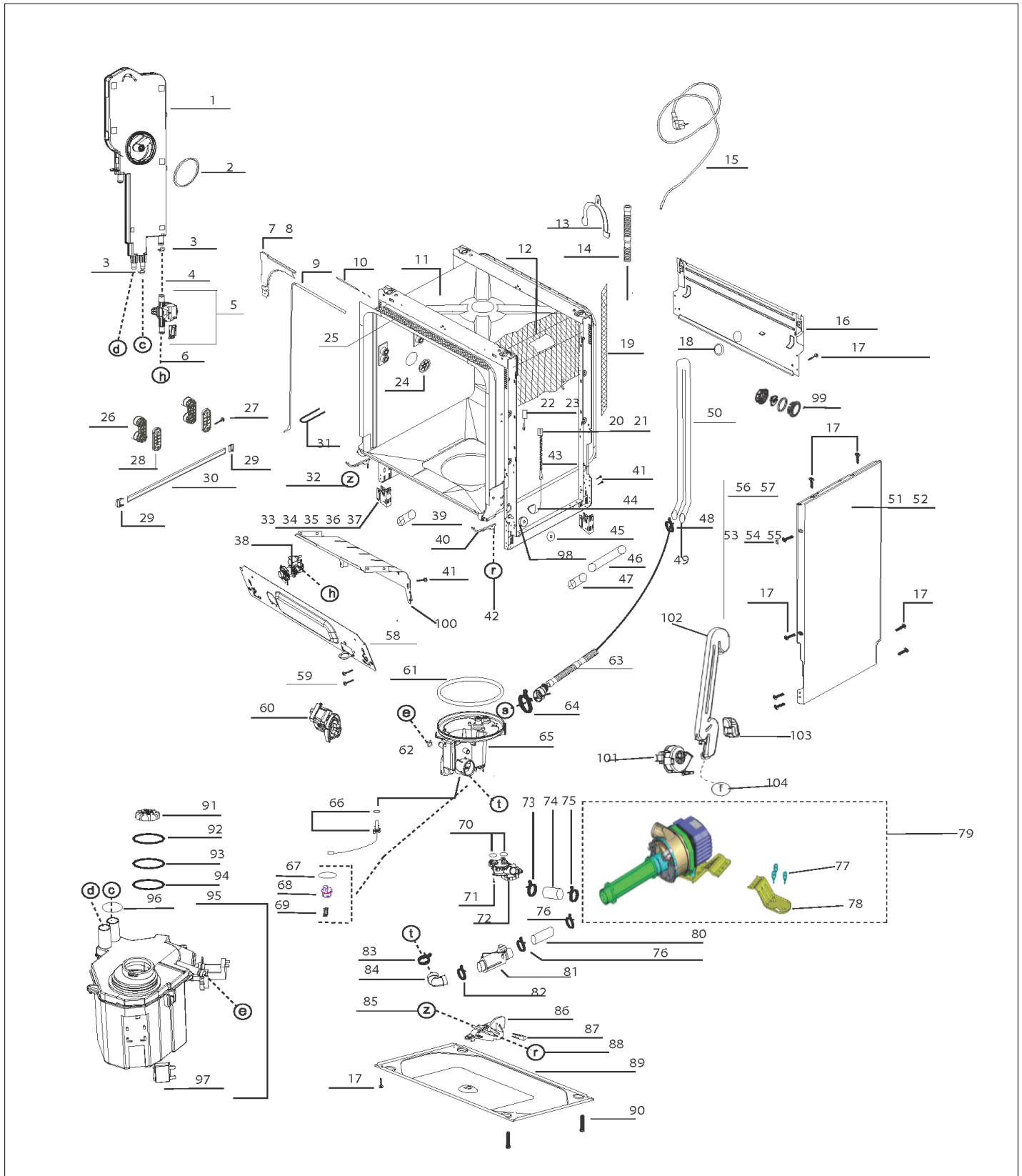
**BI DISHWASHER - CUSTOM PANEL WATER  
SOFTENER**

|                                    |   |
|------------------------------------|---|
| FDW302WS Chassis Parts .....       | 1 |
| FDW302WS Door Parts .....          | 2 |
| FDW302WS Washer System Parts ..... | 3 |
| Appendix A:Pages Index .....       | A |
| Appendix B:Parts Index .....       | B |

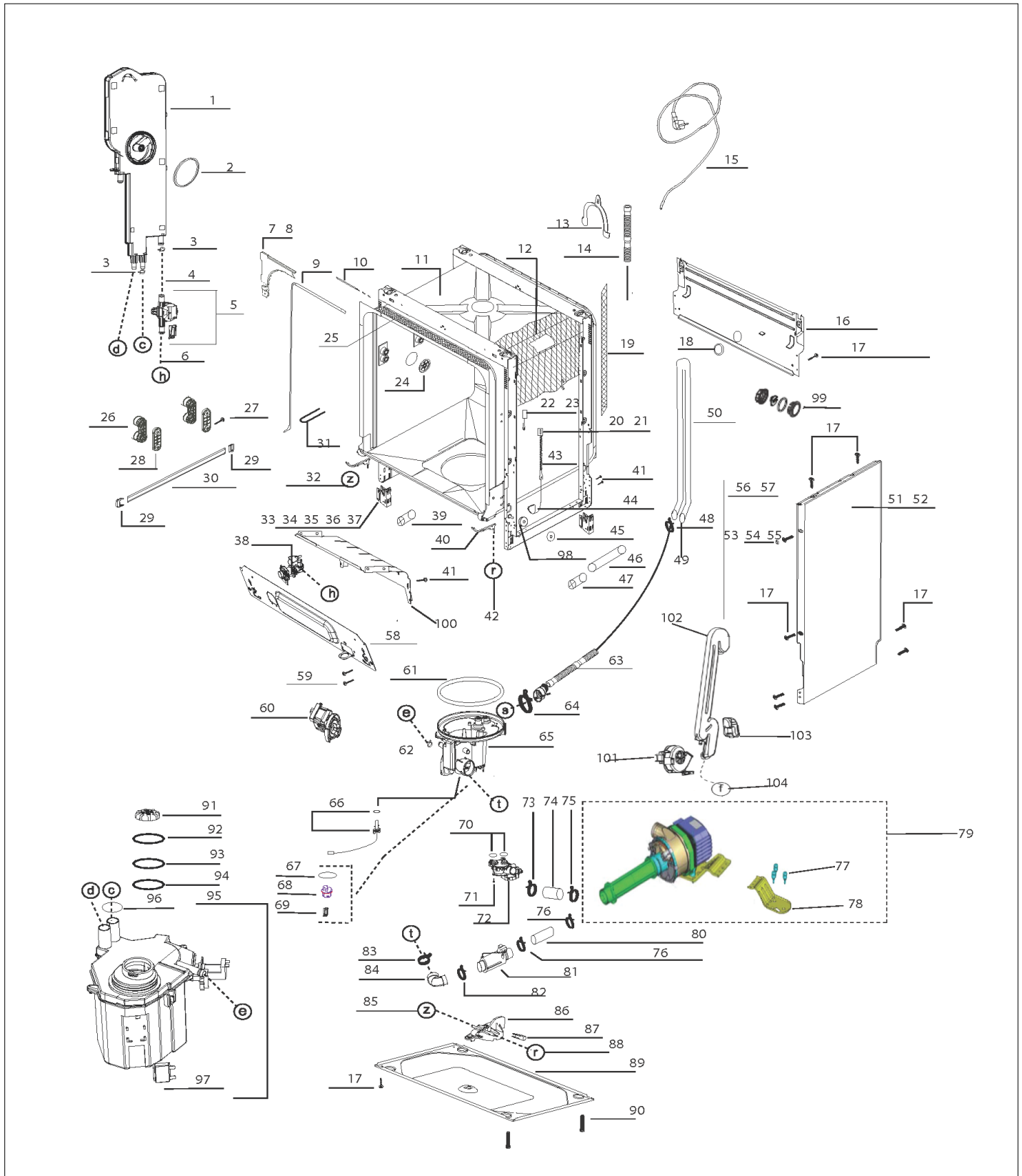
FDW302WS Chassis Parts



| Item  | Part No.   | Name                                     | Qty | Uom | NOTES |
|---|------------|--|-----|-----|-------|
| 1   | 050775-000 | REGENERATION UNIT                        | 1   | EA  |       |
| 2   | 039910-000 | AIR FUNNEL GASKET                        | 1   | EA  |       |
| Comments for Part Num. 039910-000<br><br>bradleysapplianceservice@shaw.ca on Feb 28, 2017<br>SUBS TO: 039910-000 AIR FUNNEL GASKET  |            |  |     |     |       |
| 3   | 039958-000 | HOSE CLAMP (Ø 15.88)                     | 2   | EA  |       |
| 4   | 039866-000 | HOSE BETWEEN COUNTER AND REGENERATION U. | 1   | EA  |       |
| Comments for Part Num. 039866-000<br><br>bradleysapplianceservice@shaw.ca on Mar 7, 2017<br>Caution when order this part. We ordered the 039866-000 HOSE but got the base pan instead. It was labelled with 039866-000 so it might be a mislabelled part.   |            |  |     |     |       |
| 5   | 050887-000 | COUNTER GROUP                            | 1   | EA  |       |
| 6   | 039867-000 | HOSE                                     | 1   | EA  |       |
| 7   | 039767-000 | TOP CORNER BRACKET - LEFT                | 1   | EA  |       |
| 8   | 039768-000 | TOP CORNER BRACKET - RIGHT               | 1   | EA  |       |
| 9   | 039769-000 | DOOR SEALING GASKET                      | 1   | EA  |       |
| 10  | 060202-000 | NOISE ISOLATION FOR TUB                  | 1   | EA  |       |
| 11  | 060168-000 | STRUCTURE GROUP                          | 1   | EA  |       |
| 12  | 050777-000 | INNER TUB ISOLATION                      | 1   | EA  |       |
| 13  | 039958-000 | HOSE CLAMP (Ø 15.88)                     | 1   | EA  |       |
| 14  | 039725-000 | DRAIN HOSE                               | 1   | EA  |       |
| Comments for Part Num. 039725-000<br><br>profixappliances@gmail.com on Dec 12, 2017<br>Per Bradleysapplianceservice: IF LONG EXTERIOR DRAIN HOSE IS REQUIRED - FROM BACK OF DISHWASHER TO DRAIN OUTLET - ORDER PART NUMBER: 039726-000 DRAIN HOSE<br>IF SUMP TO BACK OF UNIT DRAIN HOSE IS REQUIRED - INSIDE OF UNIT - ORDER PART NUMBER: 039725-000 SUMP DRAIN HOSE (16 INCHES LONG) |            |  |     |     |       |
| 15  | 039949-000 | MAIN PLUG EURO 120 V CANADA              | 1   | EA  |       |
| 16  | 050891-000 | REAR BOTTOM SUPPORT                      | 1   | EA  |       |
| 17  | 060711-000 | SCREW                                    | 11  | EA  |       |



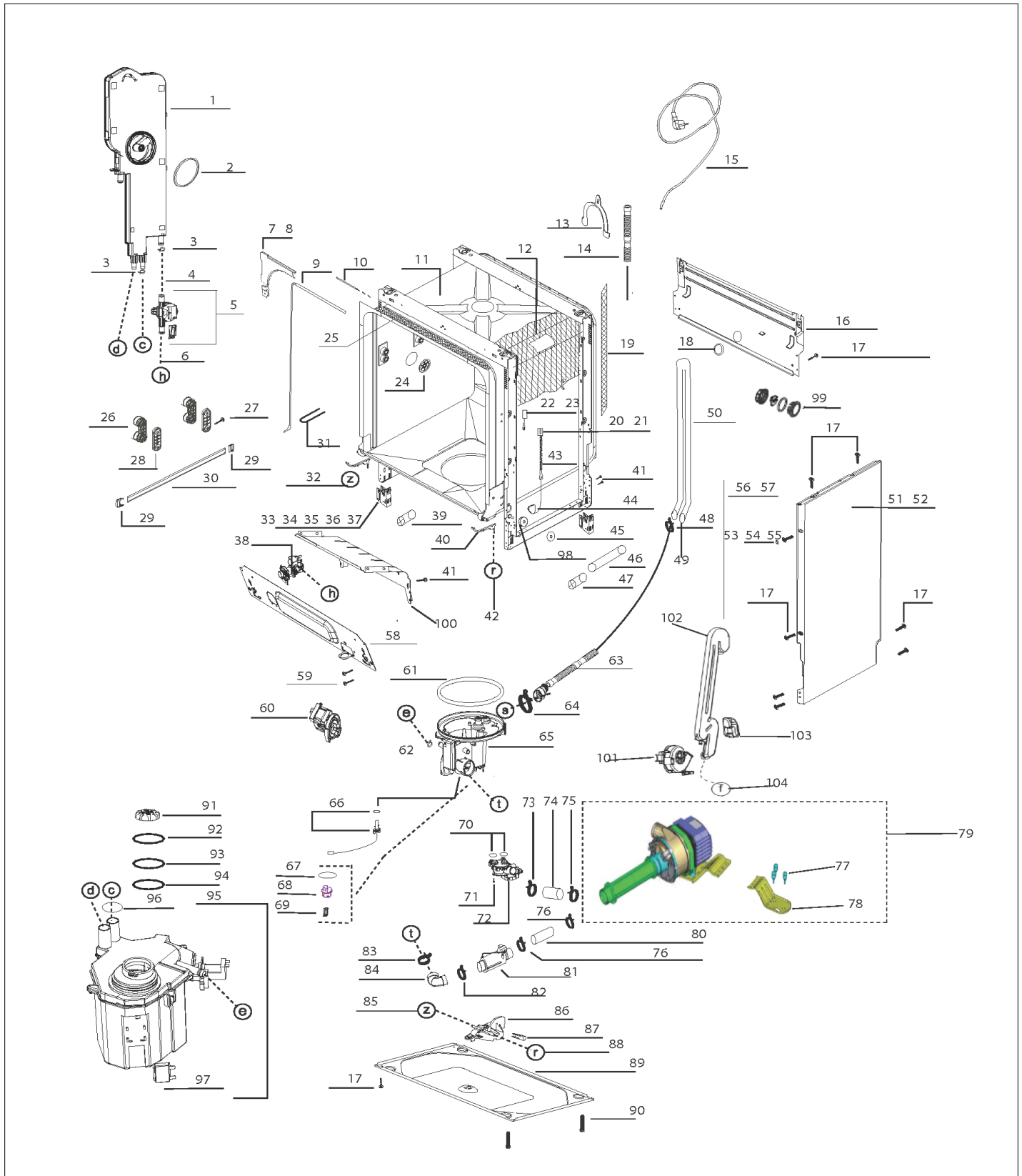
| Item | Part No.   | Name                                 | Qty | Uom | NOTES |
|------|------------|--------------------------------------|-----|-----|-------|
| 18   | 039918-000 | DRAIN HOSE HOLDER 7037               | 2   | EA  |       |
| 19   | 060157-000 | FELT                                 | 1   | EA  |       |
| 20   | 057470-000 | DUAL SPRING HOLDER TOP PART          | 2   | EA  |       |
| 21   | 057471-000 | DUAL SPRING HOLDER LOWER PART        | 2   | EA  |       |
| 22   | 039763-000 | DOOR ADJUSTMENT GROUP-LEFT           | 1   | EA  |       |
| 23   | 059866-000 | DOOR ADJUSTMENT GROUP                | 1   | EA  |       |
| 24   | 050778-000 | air funnel cup                       | 2   | EA  |       |
| 25   | 039923-000 | DOOR LOCK COTTON FLEECE              | 1   | EA  |       |
| 26   | 050780-000 | GRD BALL BEARING ROLLER GROUP        | 4   | EA  |       |
| 27   | 050781-000 | SCREW                                | 8   | EA  |       |
| 28   | 039777-000 | RAIL WHEEL HOLDER                    | 4   | EA  |       |
| 29   | 050782-000 | rail cap front back                  | 4   | EA  |       |
| 30   | 039887-000 | RAIL                                 | 2   | EA  |       |
| 31   | 039901-000 | DOOR LOCK HOOK                       | 1   | EA  |       |
| 32   | 039873-000 | HOSE                                 | 1   | EA  |       |
| 33   | 039898-000 | FOOT SUPPORT PART                    | 4   | EA  |       |
| 34   | 050779-000 | FOOT GROUP-ADJUSTABLE-RIGHT-FRONT    | 1   | EA  |       |
| 35   | 039941-000 | FOOT GROUP-ADJUSTABLE-RIGHT-BACK     | 1   | EA  |       |
| 36   | 039942-000 | FOOT GROUP-ADJUSTABLE-LEFT-FRONT     | 1   | EA  |       |
| 37   | 039943-000 | Rear feet Adjustable LEFT BACK       | 1   | EA  |       |
| 38   | 039756-000 | WATER INLET VALVE                    | 1   | EA  |       |
| 39   | 039765-000 | DOOR ADJUSTING ADAPTOR               | 2   | EA  |       |
| 40   | 039921-000 | OVERFLOW SIPHON                      | 2   | EA  |       |
| 41   | 039912-000 | INNER DOOR STOPER                    | 2   | EA  |       |
| 42   | 039872-000 | HOSE                                 | 1   | EA  |       |
| 43   | 057495-000 | HINGE SPRING                         | 4   | EA  |       |
| 44   | 039894-000 | HINGE ROPE GROUP                     | 2   | EA  |       |
| 45   | 060200-000 | SCREW CAP SIDE WALLS                 | 2   | EA  |       |
| 46   | 039938-000 | REAR ADJUSTABLE DOOR CONNECTION PART | 2   | EA  |       |



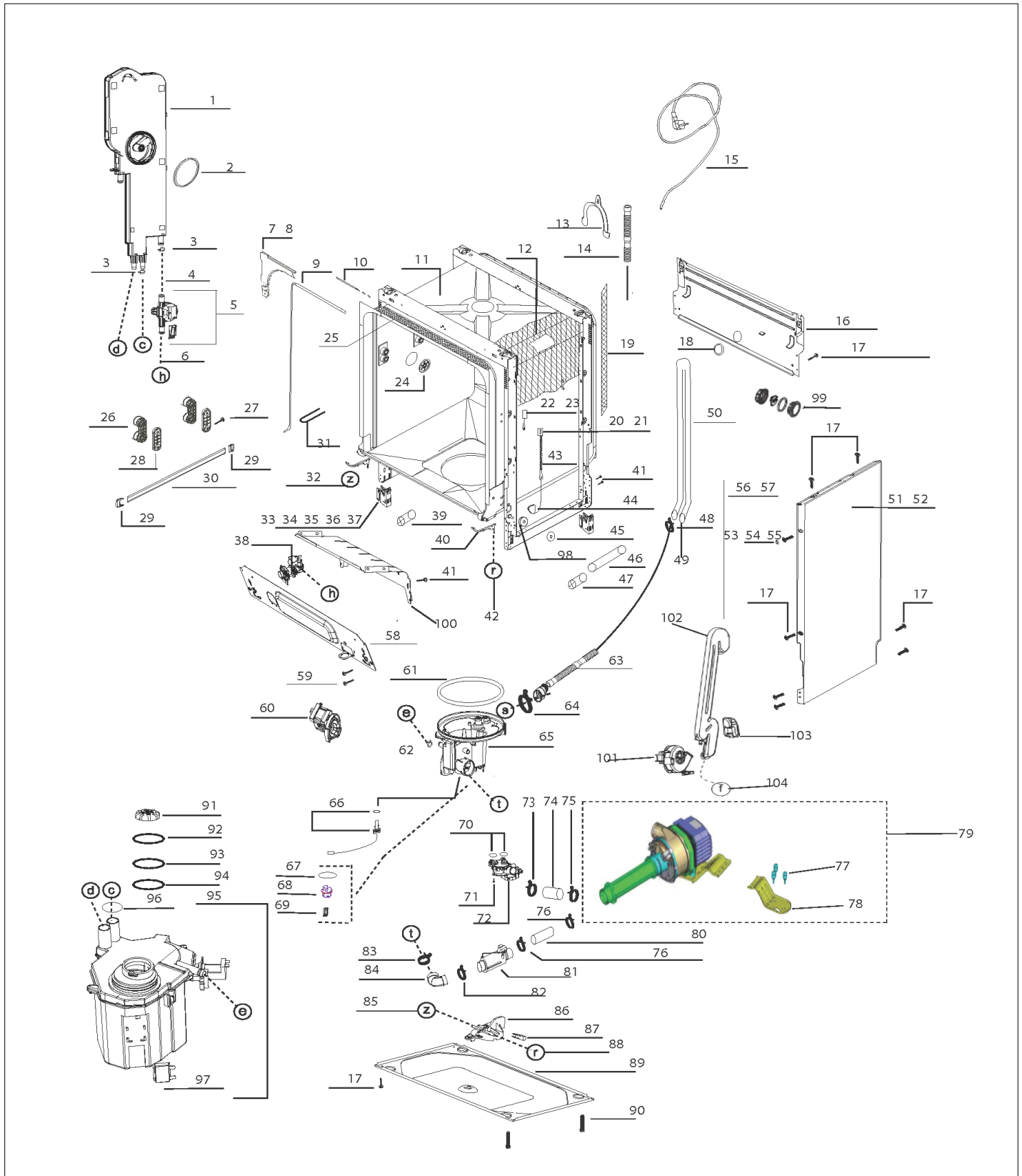


| Item  | Part No.   | Name                                 | Qty | Uom | NOTES |
|---|------------|--------------------------------------|-----|-----|-------|
| 47  | 039937-000 | REAR ADJUSTABLE FOOT CONNECTION PART | 2   | EA  |       |
| 48  | 039952-000 | HOSE CLAMP (Ø 28_7)                  | 2   | EA  |       |
| 49  | 039725-000 | DRAIN HOSE                           | 1   | EA  |       |
| <p>Comments for Part Num. 039725-000</p> <p>profixappliances@gmail.com on Dec 12, 2017</p> <p>Per Bradleysappliance-service: IF LONG EXTERIOR DRAIN HOSE IS REQUIRED - FROM BACK OF DISHWASHER TO DRAIN OUTLET - ORDER PART NUMBER: 039726-000 DRAIN HOSE</p> <p>IF SUMP TO BACK OF UNIT DRAIN HOSE IS REQUIRED - INSIDE OF UNIT - ORDER PART NUMBER: 039725-000 SUMP DRAIN HOSE (16 INCHES LONG)</p> |            |                                      |     |     |       |
| 50  | 039792-000 | COLUMN ASSY                          | 1   | EA  |       |
| 51  | 057516-000 | SIDE PANEL-LEFT                      | 1   | EA  |       |
| 52  | 057517-000 | SIDE PANEL-RIGHT                     | 1   | EA  |       |
| 53  | 039877-000 | SCREW                                | 2   | EA  |       |
| 54  | 039905-000 | SCREW CAP SIDE WALLS                 | 2   | EA  |       |
| 55  | 060203-000 | SCREW CAP SIDE WALLS                 | 2   | EA  |       |
| 56  | 057529-000 | NOISE ISOLATION                      | 2   | EA  |       |
| Not Shown   | NOTE       | SLIDES ON TRIM OF TUB                |     | EA  |       |
| 57  | 039760-000 | NOISE ISOLATION                      | 2   | EA  |       |
| Not Shown   | NOTE       | STICKS ON SIDE OF UNIT               |     | EA  |       |
| 58  | 039773-000 | KICK PLATE SHEET                     | 1   | EA  |       |
| 59  | 039761-000 | SCREW                                | 2   | EA  |       |
| 60  | 039758-000 | DRAIN PUMP GROUP                     | 1   | EA  |       |
| 61  | 039722-000 | SUMP GASKET                          | 1   | EA  |       |
| 62  | 060723-000 | HOSE CLAMP (Ø 16.4)                  | 5   | EA  |       |
| 63  | 039726-000 | DRAIN HOSE                           | 1   | EA  |       |



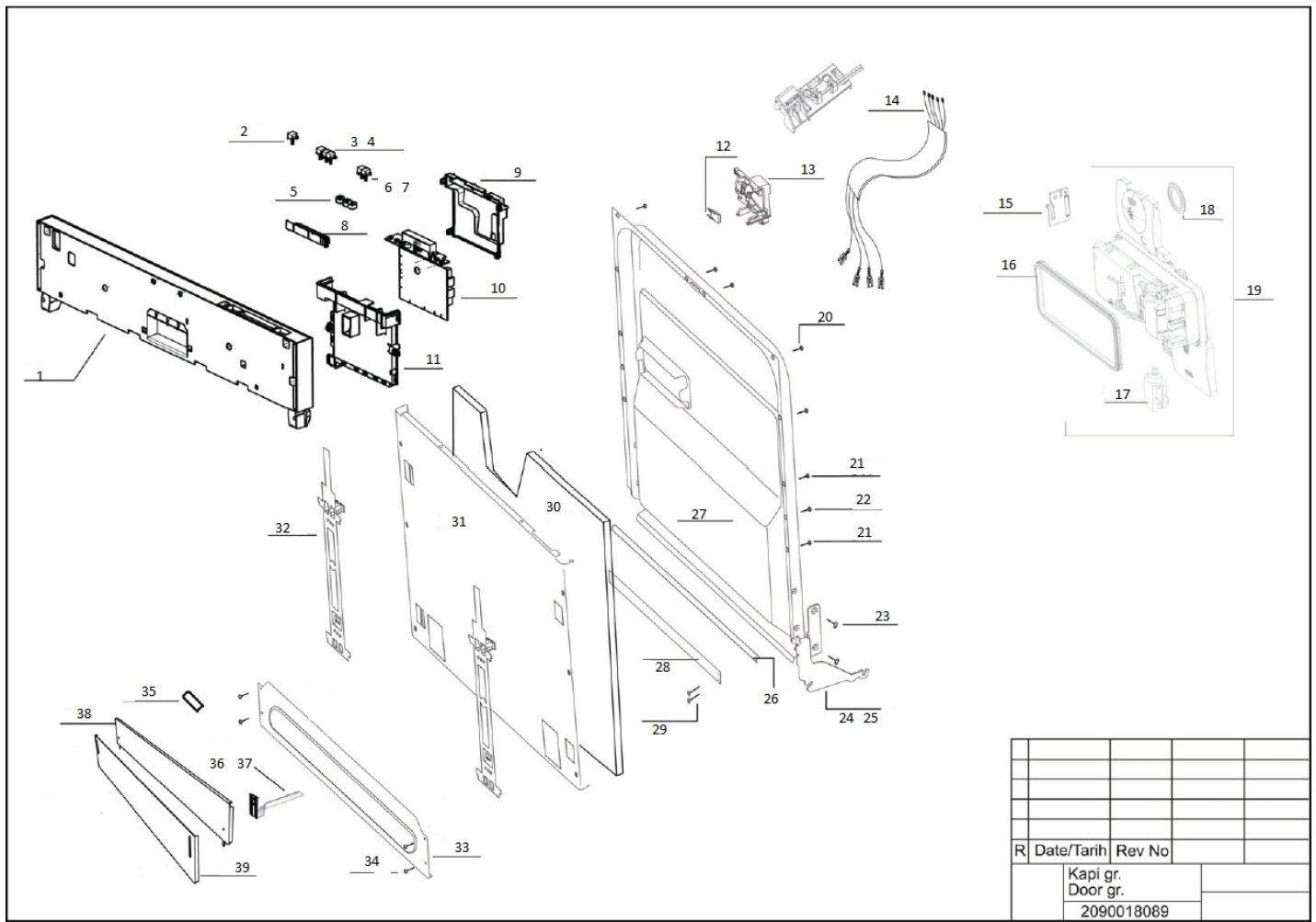


| Item   | Part No.   | Name                              | Qty | Uom | NOTES |
|--|------------|-----------------------------------|-----|-----|-------|
| Comments for Part Num. 039726-000  |            |                                   |     |     |       |
| bradleysapplianceservice@shaw.ca on Jul 15, 2016   |            |                                   |     |     |       |
| IF LONG EXTERIOR DRAIN HOSE IS REQUIRED - FROM BACK OF DISHWASHER TO DRAIN OUTLET - ORDER PART NUMBER: 039726-000 DRAIN HOSE     |            |                                   |     |     |       |
| IF SUMP TO BACK OF UNIT DRAIN HOSE IS REQUIRED - INSIDE OF UNIT - ORDER PART NUMBER: 039725-000 SUMP DRAIN HOSE (16 INCHES LONG) |            |                                   |     |     |       |
| Reply by profixappliances@gmail.com on Dec 12, 2017  |            |                                   |     |     |       |
| Thank you for the clarification!   |            |                                   |     |     |       |
| 64   | 039955-000 | HOSE CLAMP                        | 1   | EA  |       |
| 65   | 062826-000 | SUMP-VDW300                       | 1   | EA  |       |
| 66   | 039933-000 | NTC GROUP                         | 1   | EA  |       |
| 67   | 039868-000 | O-RING (TURBIDITY)                | 1   | EA  |       |
| 68   | 039900-000 | TURBIDITY FRAME                   | 1   | EA  |       |
| 69   | 039950-000 | TURBIDITY CARD AND LED HOLDER GR  | 1   | EA  |       |
| 70   | 039883-000 | WASHER                            | 2   | EA  |       |
| 71   | 039945-000 | SCREW                             | 1   | EA  |       |
| 72   | 060194-000 | 6 WAY VALVE GROUP                 | 1   | EA  |       |
| 73   | 039953-000 | HOSE CLAMP.(+ 34_1)               | 1   | EA  |       |
| 74   | 050798-000 | HOSE                              | 1   | EA  |       |
| 75   | 039957-000 | HOSE CLAMP                        | 1   | EA  |       |
| 76   | 039955-000 | HOSE CLAMP                        | 2   | EA  |       |
| 77   | 060182-000 | CIRCULATION PUMP DAMPENING RUBBER | 3   | EA  |       |
| 78   | 060181-000 | MOTOR BRACKET GROUP               | 1   | EA  |       |
| 79   | 060187-000 | QUADRO CIRCULATION MOTOR GROUP    | 1   | EA  |       |
| 80   | 060188-000 | PUMP INLET HOSE                   | 1   | EA  |       |
| 81   | 060167-000 | FLOW THROUGH HEATER               | 1   | EA  |       |
| 82   | 039955-000 | HOSE CLAMP                        | 1   | EA  |       |
| 83   | 050799-000 | HOSE CLAMP                        | 1   | EA  |       |
| 84   | 039723-000 | HOSE BETWEEN SUMP AND HEATER      | 1   | EA  |       |
| 85   | 039873-000 | HOSE                              | 1   | EA  |       |
| 86   | 039934-000 | OVERFLOW FLOAT GROUP              | 1   | EA  |       |



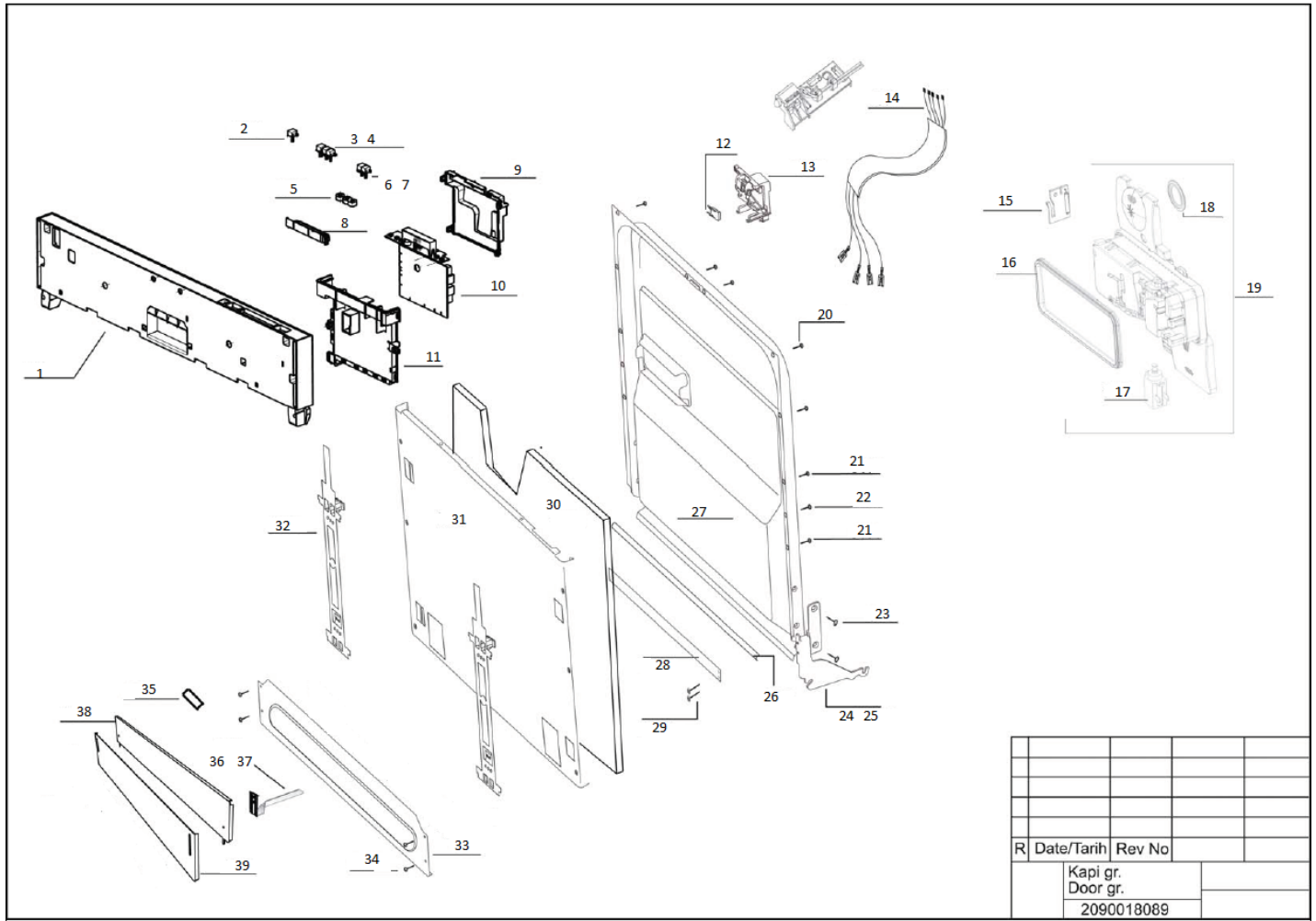
| Item      | Part No.   | Name                              | Qty | Uom | NOTES  |
|-----------|------------|-----------------------------------|-----|-----|--|
| 87        | 039913-000 | MICRO SWITCH                      | 1   | EA  |  |
| 88        | 039872-000 | HOSE                              | 1   | EA  |  |
| 89        | 039886-000 | BOTTOM TRAY                       | 1   | EA  |  |
| 90        | 039889-000 | FOOT GROUP-ADJUSTABLE             | 4   | EA  |  |
| 91        | 050805-000 | WATER SOFTENER CAP GROUP 2        | 1   | EA  |  |
| 92        | 050806-000 | WATER SOFTENER CAP GASKET         | 1   | EA  |  |
| 93        | 057592-000 | WATER SOFTENER NUT                | 1   | EA  |  |
| 94        | 050807-000 | SOFTENER O-RING                   | 1   | EA  |  |
| 95        | 057585-000 | WATER SOFTENER GROUP              | 1   | EA  |  |
| 96        | 039753-000 | O RING -WATER SOFTENER            | 2   | EA  |  |
| 97        | 039865-000 | SALT INDICATOR SWITCH             | 1   | EA  | Not available online / Call for pricing and availability |
| 98        | 039893-000 | HINGE WHEEL                       | 2   | EA  |  |
| 99        | 060174-000 | INNER ILLUMINATION CARD HOLDER GR | 1   | EA  |  |
| 100       | 039885-000 | LOWER SUPPORT - FRONT             | 1   | EA  |  |
| 101       | 050179-000 | FAN MOTOR GROUP                   | 1   | EA  | Not available online / Call for pricing and availability |
| 102       | 050784-000 | FAN SUCTION PIPE                  | 1   | EA  |  |
| 103       | 050796-000 | FAN OUTLET PIPE                   | 1   | EA  |  |
| 104       | 050797-000 | HOSE BETWEEN FAN AND SUMP         | 1   | EA  |  |
| NI        | 057530-000 | ACCESSORIES                       | 1   | EA  |  |
| Not Shown | NOTE       | INSTALL HARDWARE                  |     | EA  |  |
| NI        | 064528-000 | LEFT MOUNTING BRACKET             | 1   | EA  |  |
| Not Shown | NOTE       | TO SECURE UNIT TO CABINET         |     | EA  |  |
| NI        | 064529-000 | RIGHT MOUNTING BRACKET            | 1   | EA  |  |
| Not Shown | NOTE       | TO SECURE UNIT TO CABINET         |     | EA  |  |
| NI        | 061473-000 | AMERICA BOBBIN TERFERENCE FILTER  | 1   | EA  |  |

FDW302WS Door Parts



|   |                      |        |  |
|---|----------------------|--------|--|
|   |                      |        |  |
|   |                      |        |  |
|   |                      |        |  |
|   |                      |        |  |
| R | Date/Tarih           | Rev No |  |
|   | Kapi gr.<br>Door gr. |        |  |
|   | 2090018089           |        |  |

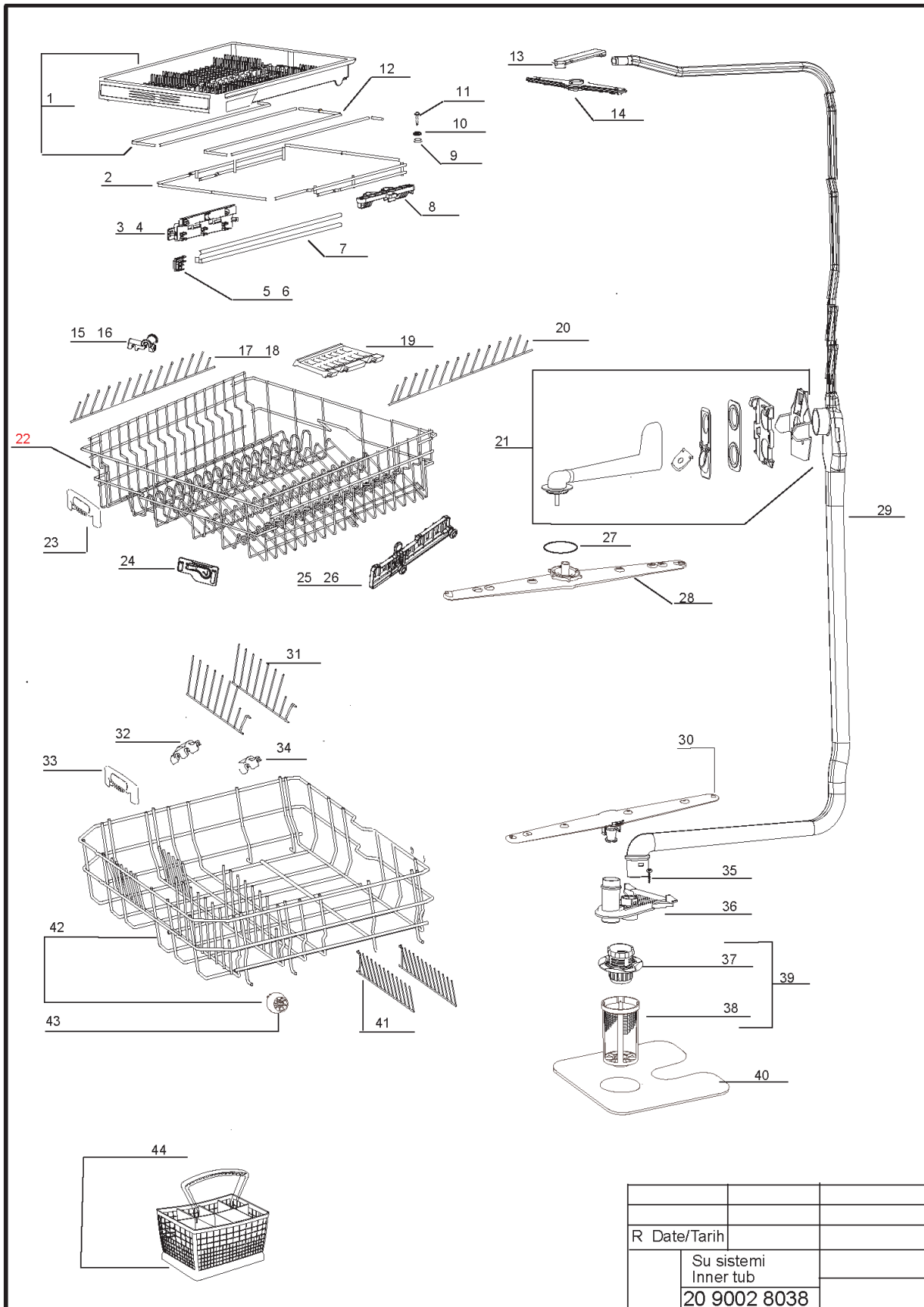
| Item | Part No.   | Name                         | Qty | Uom | NOTES |
|------|------------|------------------------------|-----|-----|-------|
| 1    | 060163-000 | PANEL GR FDW302              | 1   | EA  |       |
| 2    | 060156-000 | ON-OFF BUTTON BLACK          | 1   | EA  |       |
| 3    | 060153-000 | F1-F2 FUNCTION BUTTON BLACK  | 1   | EA  |       |
| 4    | 060155-000 | PROGRAME DELAY BUTTON BLACK  | 1   | EA  |       |
| 5    | 060192-000 | E5-E6 BUTTON GASKET          | 1   | EA  |       |
| 6    | 060154-000 | F3-F4 FUNCTION BUTTON BLACK  | 1   | EA  |       |
| 7    | 060180-000 | DELAY BUTTON BLACK           | 1   | EA  |       |
| 8    | 060191-000 | E5-E6 BOTTON HOLDER PART     | 1   | EA  |       |
| 9    | 060190-000 | E5-E6 CARD HOLDER BACK PART  | 1   | EA  |       |
| 10   | 060161-000 | ELECTRONIC CARD E5           | 1   | EA  |       |
| 11   | 060189-000 | E5-E6 CARD HOLDER FRONT PART | 1   | EA  |       |
| 12   | 059878-000 | NEW DOOR SWITCH              | 1   | EA  |       |
| 13   | 060170-000 | DOOR LOCK GROUP              | 1   | EA  |       |
| 14   | 060185-000 | D1 CABLE HARNESS             | 1   | EA  |       |
| 15   | 050831-000 | RINSE AID GLASS              | 1   | EA  |       |
| 16   | 039714-000 | DTERGENT DISPENSER GASKET    | 1   | EA  |       |
| 17   | 039882-000 | THERMOACTUATOR D3731 D3421   | 1   | EA  |       |
| 18   | 039713-000 | RINSE AID GASKET             | 1   | EA  |       |
| 19   | 039715-000 | DETERGENT DISPENSER GROUP    | 1   | EA  |       |
| 20   | 039880-000 | SCREW                        | 6   | EA  |       |
| 21   | 039917-000 | BOLT M4X8 D3731 D3421        | 4   | EA  |       |
| 22   | 063627-000 | INNER DOOR STOPER            | 2   | EA  |       |
| 23   | 060158-000 | SCREW                        | 4   | EA  |       |
| 24   | 039739-000 | HINGE ARM RIGHT              | 1   | EA  |       |
| 25   | 039738-000 | HINGE ARM LEFT               | 1   | EA  |       |
| 26   | 039908-000 | DOOR SEALING GASKET          | 1   | EA  |       |
| 27   | 039720-000 | INNER DOOR GR                | 1   | EA  |       |
| 28   | 039935-000 | HINGE ARM SUPPORT            | 1   | EA  |       |
| 29   | 039912-000 | INNER DOOR STOPER            | 4   | EA  |       |



| Item      | Part No.   | Name                          | Qty | Uom | NOTES  |
|-----------|------------|-------------------------------|-----|-----|--|
| 30        | 039903-000 | DOOR INSULATION               | 1   | EA  |  |
| 31        | 059867-000 | OUTER DOOR                    | 1   | EA  | Not available online / Call for pricing and availability |
| 32        | 060709-000 | BOARD CONNECTION PART         | 2   | EA  | Not available online / Call for pricing and availability |
| 33        | 039773-000 | KICK PLATE SHEET              | 1   | EA  |  |
| 34        | 039876-000 | SCREW                         | 4   | EA  |  |
| 35        | 039928-000 | KICK PLATE ADJUSTING LOCKET   | 1   | EA  |  |
| 36        | 039924-000 | PLINTH ADJUSTMENT SHEET LEFT  | 1   | EA  |  |
| 37        | 039925-000 | PLINTH ADJUSTMENT SHEET RIGHT | 1   | EA  |  |
| 38        | 039926-000 | KICK PLATE SHEET              | 1   | EA  |  |
| 39        | 060210-000 | KICK PLATE SHEET              | 1   | EA  |  |
| NI        | 063681-000 | INSULATION MATERIAL           | 1   | EA  |  |
| Not Shown | NOTE       | GOES BEHIND KICKPLATE         |     | EA  |  |
| NI        | 057473-000 | PROGRAM END SIGNAL MODULE     | 1   | EA  |  |
| Not Shown | NOTE       | (INDICATOR LIGHT)             |     | EA  |  |

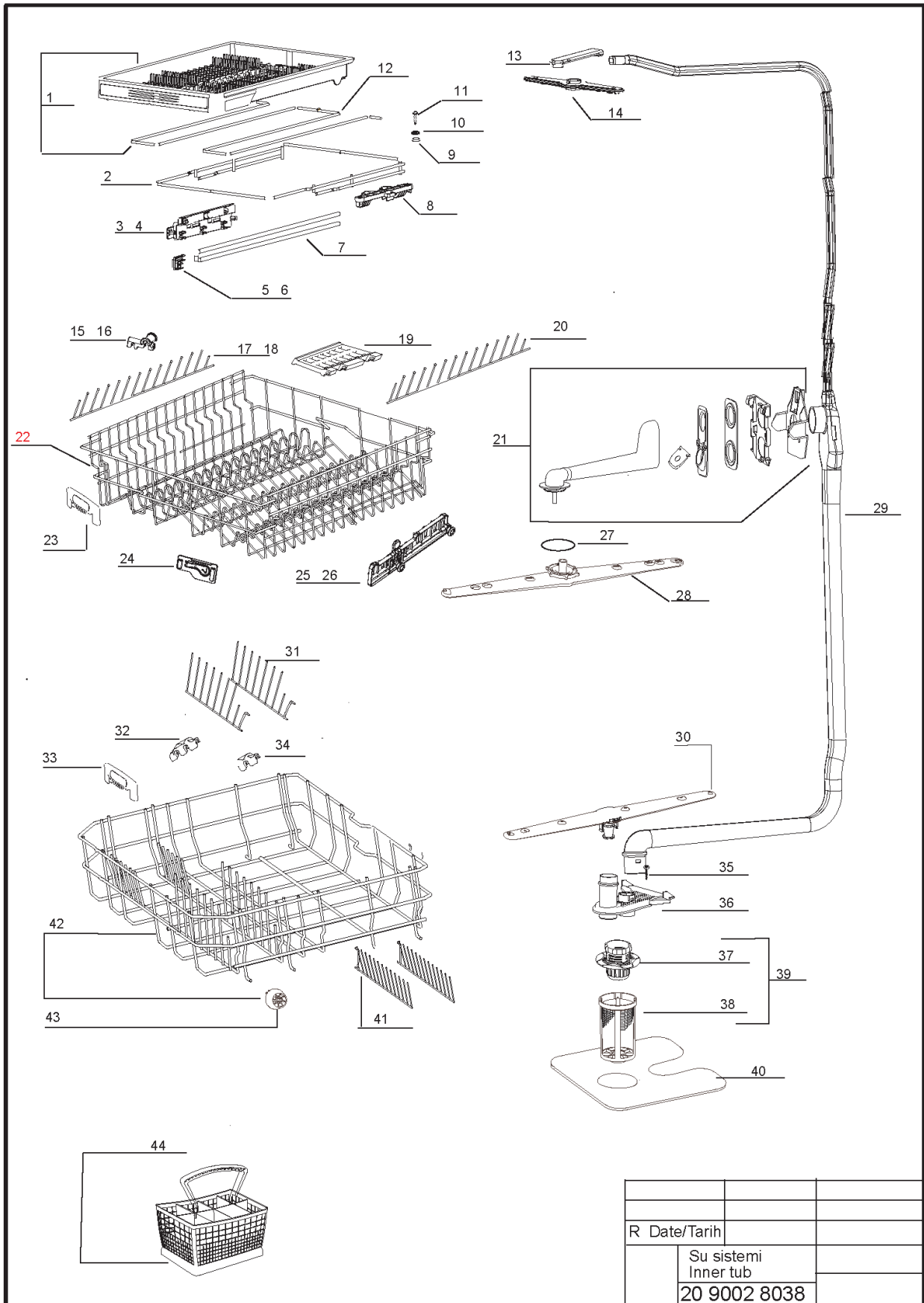


FDW302WS Washer System Parts





| Item | Part No.   | Name                                  | Qty | Uom | NOTES |
|------|------------|---------------------------------------|-----|-----|-------|
| 1    | 060176-000 | UPPER TRAY GROUP                      | 1   | EA  |       |
| 2    | 050810-000 | UPPER TRAY HOLDER                     | 1   | EA  |       |
| 3    | 050811-000 | UPPER TRAY DRAWER<br>HOLDER-LEFT      | 1   | EA  |       |
| 4    | 050812-000 | UPPER TRAY DRAWER<br>HOLDER-RIGHT     | 1   | EA  |       |
| 5    | 060177-000 | UPPER TRAY RAIL CAP-RIGHT<br>RAL 7037 | 1   | EA  |       |
| 6    | 060178-000 | UPPER TRAY RAIL CAP-LEFT<br>RAL7037   | 1   | EA  |       |
| 7    | 050815-000 | CEILING RAIL                          | 2   | EA  |       |
| 8    | 050816-000 | UPPER TRAY RAIL HOLDER                | 2   | EA  |       |
| 9    | 050817-000 | CONNECTING WASHER                     | 1   | EA  |       |
| 10   | 039883-000 | WASHER                                | 1   | EA  |       |
| 11   | 039945-000 | SCREW                                 | 1   | EA  |       |
| 12   | 050809-000 | UPPER TRAY FRAME WIRE                 | 1   | EA  |       |
| 13   | 039847-000 | CEILING SPRAY ARM FEED<br>PIPE        | 1   | EA  |       |
| 14   | 039841-000 | CEILING SPRAY GROUP                   | 1   | EA  |       |
| 15   | 039861-000 | UPPER BASKET CLIPS                    | 11  | EA  |       |
| 16   | 039783-000 | FOLDING PART CLIPS RIGHT              | 1   | EA  |       |
| 17   | 059870-000 | UPPER BASKET SUPPORT<br>WIRE          | 1   | EA  |       |
| 18   | 059871-000 | UPPER BASKET SUPPORT<br>WIRE          | 1   | EA  |       |
| 19   | 039785-000 | SHELF GROUP                           | 4   | EA  |       |
| 20   | 060173-000 | LOWER BASKET PLATE<br>HOLDER FRONT    | 2   | EA  |       |
| 21   | 039862-000 | UPPER SPRAY ARM FEED<br>PIPE          | 1   | EA  |       |
| 22   | 060241-000 | UPPER RACK GR. RAL 7037               | 1   | EA  |       |
| 23   | 060179-000 | UPPER BASKET HANDLE GR                | 1   | EA  |       |
| 24   | 057494-000 | GRD FOLDING PART                      | 1   | EA  |       |
| 25   | 057480-000 | UPPER BASKET MECHANISM-<br>LEFT       | 1   | EA  |       |
| 26   | 057481-000 | UPPER BASKET MECHANISM-<br>RIGHT      | 1   | EA  |       |
| 27   | 039870-000 | GASKET                                | 1   | EA  |       |



|   |                         |  |
|---|-------------------------|--|
|   |                         |  |
| R | Date/Tarih              |  |
|   | Su sistemi<br>Inner tub |  |
|   | 20 9002 8038            |  |

| Item | Part No.   | Name                                       | Qty | Uom | NOTES |
|------|------------|--|-----|-----|-------|
| 28   | 060165-000 | UPPER SPRAY ARM GROUP                      | 1   | EA  |       |
| 29   | 039840-000 | WATER SUPPLY TUBE GROUP                    | 1   | EA  |       |
| 30   | 060164-000 | LOWER SPRAY ARM GROUP                      | 1   | EA  |       |
| 31   | 039788-000 | PLATE HOLDER-LEFT                          | 2   | EA  |       |
| 32   | 050821-000 | LOWER BASKET CLIPS                         | 3   | EA  |       |
| 33   | 050883-000 | LOWER BASKET HANDLE                        | 1   | EA  |       |
| 34   | 039855-000 | LOWER BASKET CLIPS                         | 7   | EA  |       |
| 35   | 039951-000 | HOSE CLAMP (DIA 17.3)                      | 1   | EA  |       |
| 36   | 060199-000 | HALF FILTER SUPPORT ZONE                   | 1   | EA  |       |
| 37   | 057474-000 | COARSE FILTER                              | 1   | EA  |       |
| 38   | 060196-000 | MICRO FILTER GROUP_2                       | 1   | EA  |       |
| 39   | 060197-000 | FILTER GROUP_2                             | 1   | EA  |       |
| 40   | 060198-000 | METAL FILTER GROUP                         | 1   | EA  |       |
| 41   | 039789-000 | PLATE HOLDER-RIGHT                         | 2   | EA  |       |
| 42   | 060184-000 | LOWER BASKET GROUP                         | 1   | EA  |       |
| 43   | 050884-000 | GRD LOWER BASKET<br>SANTOPRENE WHEEL GROUP | 1   | EA  |       |
| 44   | 057482-000 | CUTLERY BASKET GROUP                       | 1   | EA  |       |



Appendix A:Pages Index

|                                    |   |
|------------------------------------|---|
| FDW302WS Chassis Parts .....       | 1 |
| FDW302WS Door Parts .....          | 2 |
| FDW302WS Washer System Parts ..... | 3 |



## Appendix B:Parts Index

|            |      |            |      |
|------------|------|------------|------|
| 039713-000 | 2    | 039876-000 | 2    |
| 039714-000 | 2    | 039877-000 | 1    |
| 039715-000 | 2    | 039880-000 | 2    |
| 039720-000 | 2    | 039882-000 | 2    |
| 039722-000 | 1    | 039883-000 | 1, 3 |
| 039723-000 | 1    | 039885-000 | 1    |
| 039725-000 | 1, 1 | 039886-000 | 1    |
| 039726-000 | 1    | 039887-000 | 1    |
| 039738-000 | 2    | 039889-000 | 1    |
| 039739-000 | 2    | 039893-000 | 1    |
| 039753-000 | 1    | 039894-000 | 1    |
| 039756-000 | 1    | 039898-000 | 1    |
| 039758-000 | 1    | 039900-000 | 1    |
| 039760-000 | 1    | 039901-000 | 1    |
| 039761-000 | 1    | 039903-000 | 2    |
| 039763-000 | 1    | 039905-000 | 1    |
| 039765-000 | 1    | 039908-000 | 2    |
| 039767-000 | 1    | 039910-000 | 1    |
| 039768-000 | 1    | 039912-000 | 1, 2 |
| 039769-000 | 1    | 039913-000 | 1    |
| 039773-000 | 1, 2 | 039917-000 | 2    |
| 039777-000 | 1    | 039918-000 | 1    |
| 039783-000 | 3    | 039921-000 | 1    |
| 039785-000 | 3    | 039923-000 | 1    |
| 039788-000 | 3    | 039924-000 | 2    |
| 039789-000 | 3    | 039925-000 | 2    |
| 039792-000 | 1    | 039926-000 | 2    |
| 039840-000 | 3    | 039928-000 | 2    |
| 039841-000 | 3    | 039933-000 | 1    |
| 039847-000 | 3    | 039934-000 | 1    |
| 039855-000 | 3    | 039935-000 | 2    |
| 039861-000 | 3    | 039937-000 | 1    |
| 039862-000 | 3    | 039938-000 | 1    |
| 039865-000 | 1    | 039941-000 | 1    |
| 039866-000 | 1    | 039942-000 | 1    |
| 039867-000 | 1    | 039943-000 | 1    |
| 039868-000 | 1    | 039945-000 | 1, 3 |
| 039870-000 | 3    | 039949-000 | 1    |
| 039872-000 | 1, 1 | 039950-000 | 1    |
| 039873-000 | 1, 1 | 039951-000 | 3    |
|            |      | 039952-000 | 1    |



|            |               |            |         |
|------------|---------------|------------|---------|
| 039953-000 | ..... 1       | 057495-000 | ..... 1 |
| 039955-000 | ..... 1, 1, 1 | 057516-000 | ..... 1 |
| 039957-000 | ..... 1       | 057517-000 | ..... 1 |
| 039958-000 | ..... 1, 1    | 057529-000 | ..... 1 |
| 050179-000 | ..... 1       | 057530-000 | ..... 1 |
| 050775-000 | ..... 1       | 057585-000 | ..... 1 |
| 050777-000 | ..... 1       | 057592-000 | ..... 1 |
| 050778-000 | ..... 1       | 059866-000 | ..... 1 |
| 050779-000 | ..... 1       | 059867-000 | ..... 2 |
| 050780-000 | ..... 1       | 059870-000 | ..... 3 |
| 050781-000 | ..... 1       | 059871-000 | ..... 3 |
| 050782-000 | ..... 1       | 059878-000 | ..... 2 |
| 050784-000 | ..... 1       | 060153-000 | ..... 2 |
| 050796-000 | ..... 1       | 060154-000 | ..... 2 |
| 050797-000 | ..... 1       | 060155-000 | ..... 2 |
| 050798-000 | ..... 1       | 060156-000 | ..... 2 |
| 050799-000 | ..... 1       | 060157-000 | ..... 1 |
| 050805-000 | ..... 1       | 060158-000 | ..... 2 |
| 050806-000 | ..... 1       | 060161-000 | ..... 2 |
| 050807-000 | ..... 1       | 060163-000 | ..... 2 |
| 050809-000 | ..... 3       | 060164-000 | ..... 3 |
| 050810-000 | ..... 3       | 060165-000 | ..... 3 |
| 050811-000 | ..... 3       | 060167-000 | ..... 1 |
| 050812-000 | ..... 3       | 060168-000 | ..... 1 |
| 050815-000 | ..... 3       | 060170-000 | ..... 2 |
| 050816-000 | ..... 3       | 060173-000 | ..... 3 |
| 050817-000 | ..... 3       | 060174-000 | ..... 1 |
| 050821-000 | ..... 3       | 060176-000 | ..... 3 |
| 050831-000 | ..... 2       | 060177-000 | ..... 3 |
| 050883-000 | ..... 3       | 060178-000 | ..... 3 |
| 050884-000 | ..... 3       | 060179-000 | ..... 3 |
| 050887-000 | ..... 1       | 060180-000 | ..... 2 |
| 050891-000 | ..... 1       | 060181-000 | ..... 1 |
| 057470-000 | ..... 1       | 060182-000 | ..... 1 |
| 057471-000 | ..... 1       | 060184-000 | ..... 3 |
| 057473-000 | ..... 2       | 060185-000 | ..... 2 |
| 057474-000 | ..... 3       | 060187-000 | ..... 1 |
| 057480-000 | ..... 3       | 060188-000 | ..... 1 |
| 057481-000 | ..... 3       | 060189-000 | ..... 2 |
| 057482-000 | ..... 3       | 060190-000 | ..... 2 |
| 057494-000 | ..... 3       | 060191-000 | ..... 2 |



|            |   |
|------------|---|
| 060192-000 | 2 |
| 060194-000 | 1 |
| 060196-000 | 3 |
| 060197-000 | 3 |
| 060198-000 | 3 |
| 060199-000 | 3 |
| 060200-000 | 1 |
| 060202-000 | 1 |
| 060203-000 | 1 |
| 060210-000 | 2 |
| 060241-000 | 3 |
| 060709-000 | 2 |
| 060711-000 | 1 |
| 060723-000 | 1 |
| 061473-000 | 1 |
| 062826-000 | 1 |
| 063627-000 | 2 |
| 063681-000 | 2 |
| 064528-000 | 1 |
| 064529-000 | 1 |