

This Owner's Manual is provided and hosted by [Appliance Factory Parts](#).



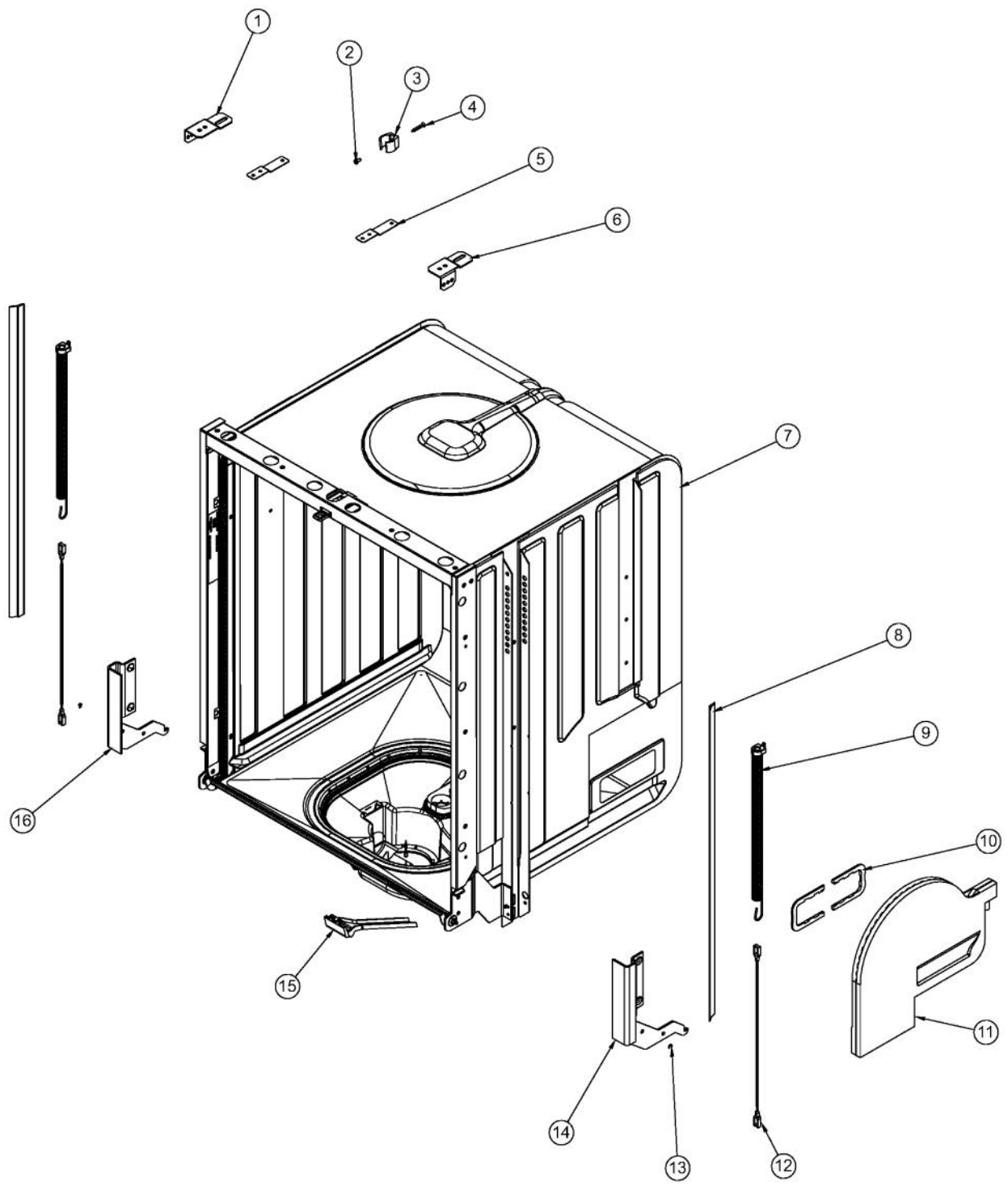
VIKING RVDW324 Owner's Manual

[Shop genuine replacement parts for VIKING RVDW324](#)

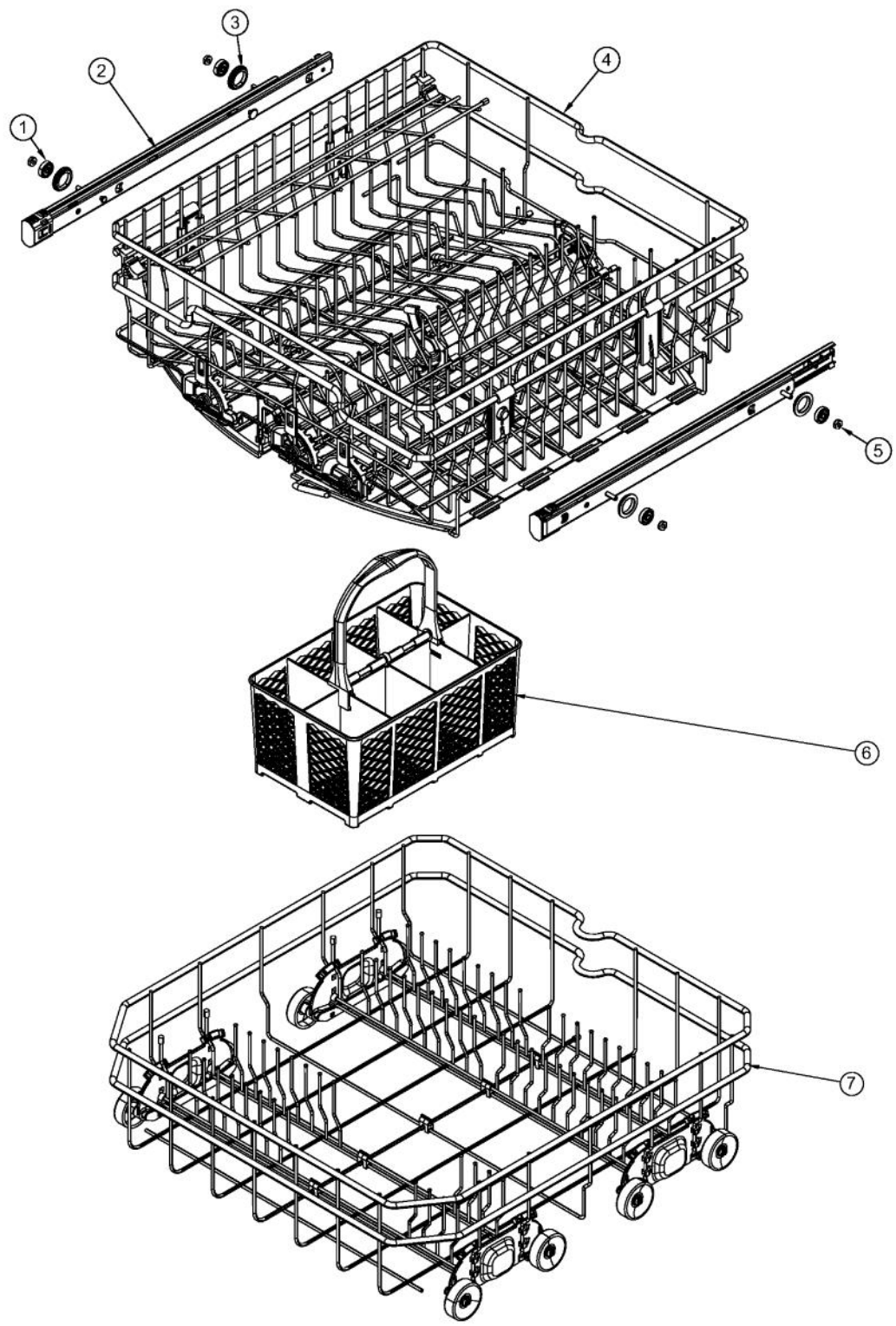


[Find Your VIKING Dishwasher Parts - Select From 36 Models](#)

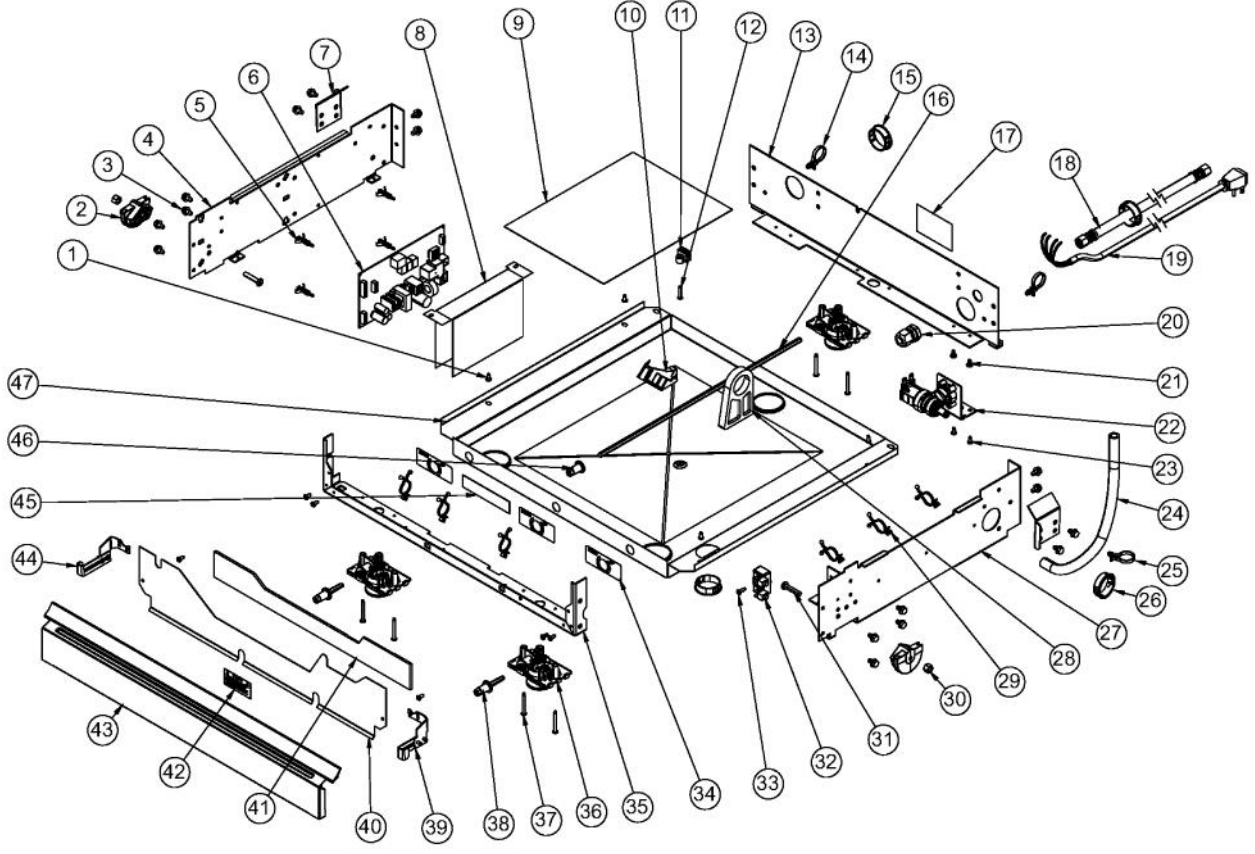
----- Manual continues below -----



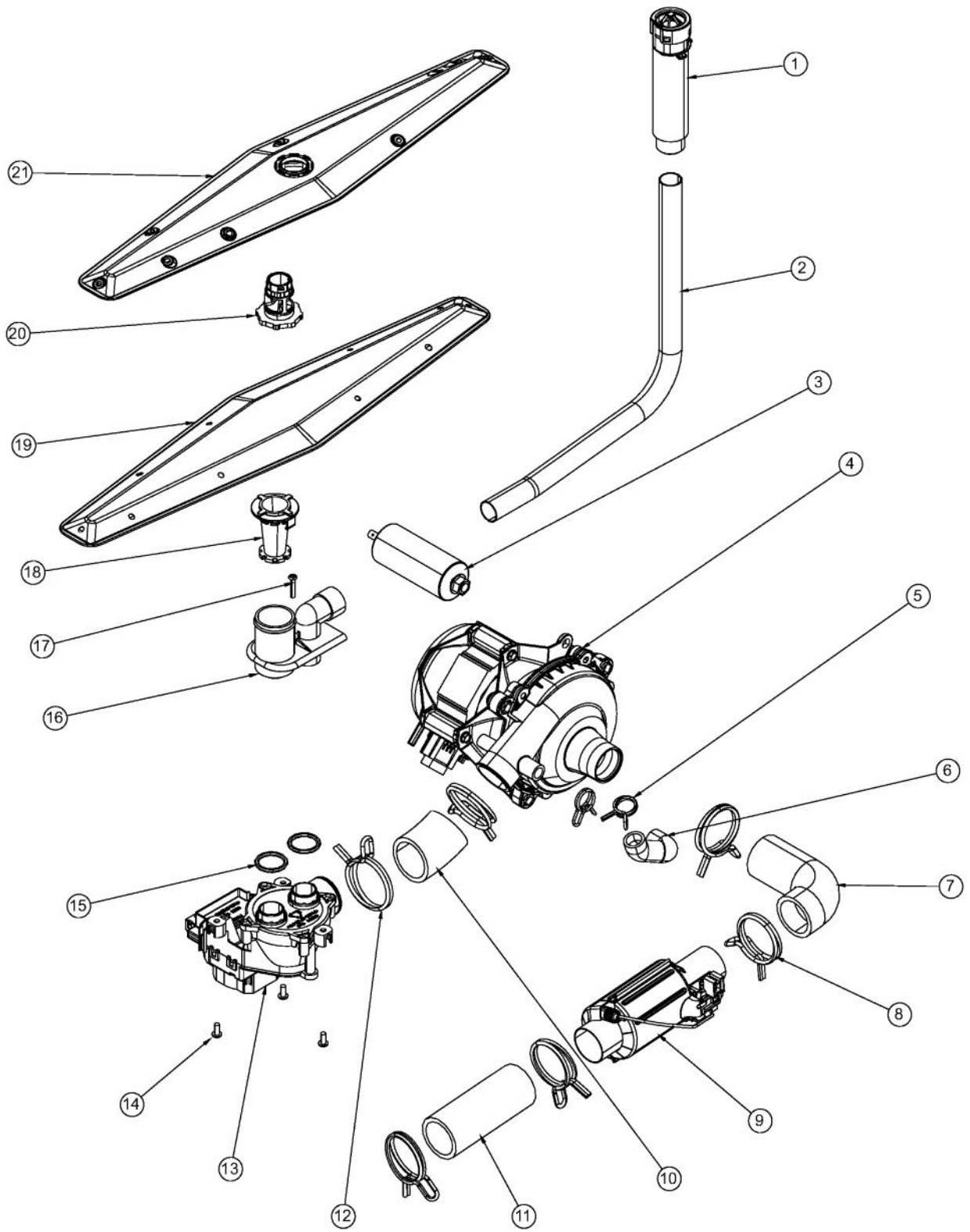
Ref #	Part Number	Qty.	Description
1	016606-000	1	BRACKET, MTG, TOP, CTR, R
2	PD020249	1	SCREW, NO.8-18 X 3/8, TYPE B, TORX, PAN HEAD, ZINC, BL...
3	000572-000	1	CLIP, MTG
4	001470-000	1	SCREW; NO.8, 18-8SS, FLAT HEAD, TORX, WOOD
5	002547-000	2	BRACKET, FLEX MTG
6	016599-000	1	BRACKET, MTG, TOP , LEFT
7	N/P	1	CABINET
8	013449-000	2	EDGING, MOUNTING TRIM, 325
9	PC810018	2	DOOR DAMPENER COIL SPRING
10	PK830276	2	LOCK, AIR & WATER INLET
11	035162-000	1	AIR & WATER INLET ASSY, W/GASKET-301/451
12	PM810487	2	DOOR DAMPENER CABLE
13	000124-000	2	RING, RTNG, CLIP, ZPLT
14	C93813632	1	HINGE, DOOR RIGHT PLATED
15	030903-000	1	CHANNEL, OVERFLOW INSERT- BLACK
16	C93813631	1	HINGE, DOOR LEFT PLATED



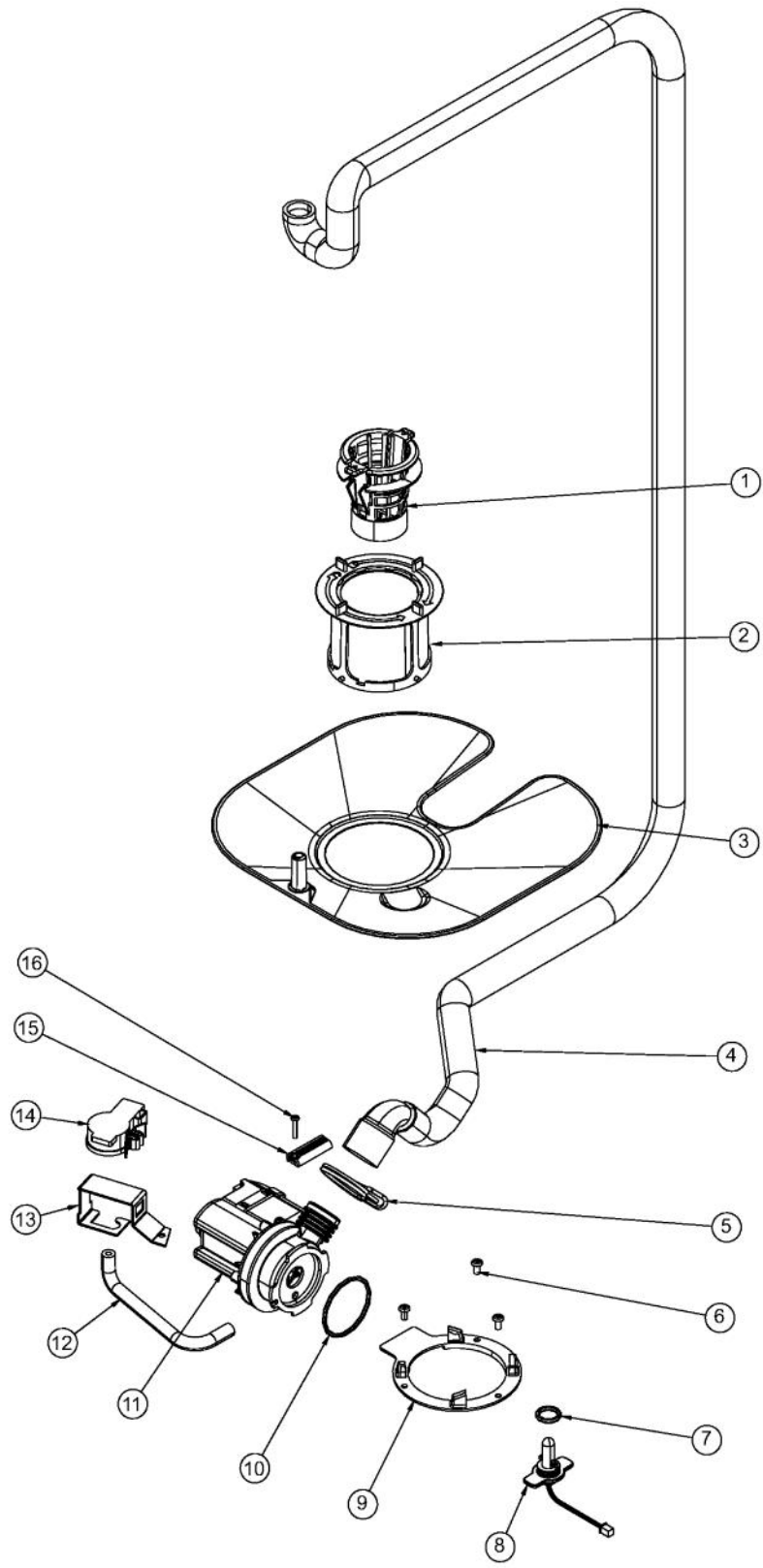
Ref #	Part Number	Qty.	Description
1	PK030448	4	RACK SLIDE SPACER
2	027444-000	2	SLIDE, RACK, ASSY, W/END CAP
3	PK030536	4	SLEEVE, SPACER
4	035210-000	1	UPPER RACK ASSEMBLY-301
5	PD030044	4	10-24 KEPS NUT SS
6	032230-000	1	SILVERWARE BASKET ASSY - 200 SERIES
7	013345-000	1	LOWER RACK ASSEMBLY- 325/200/201



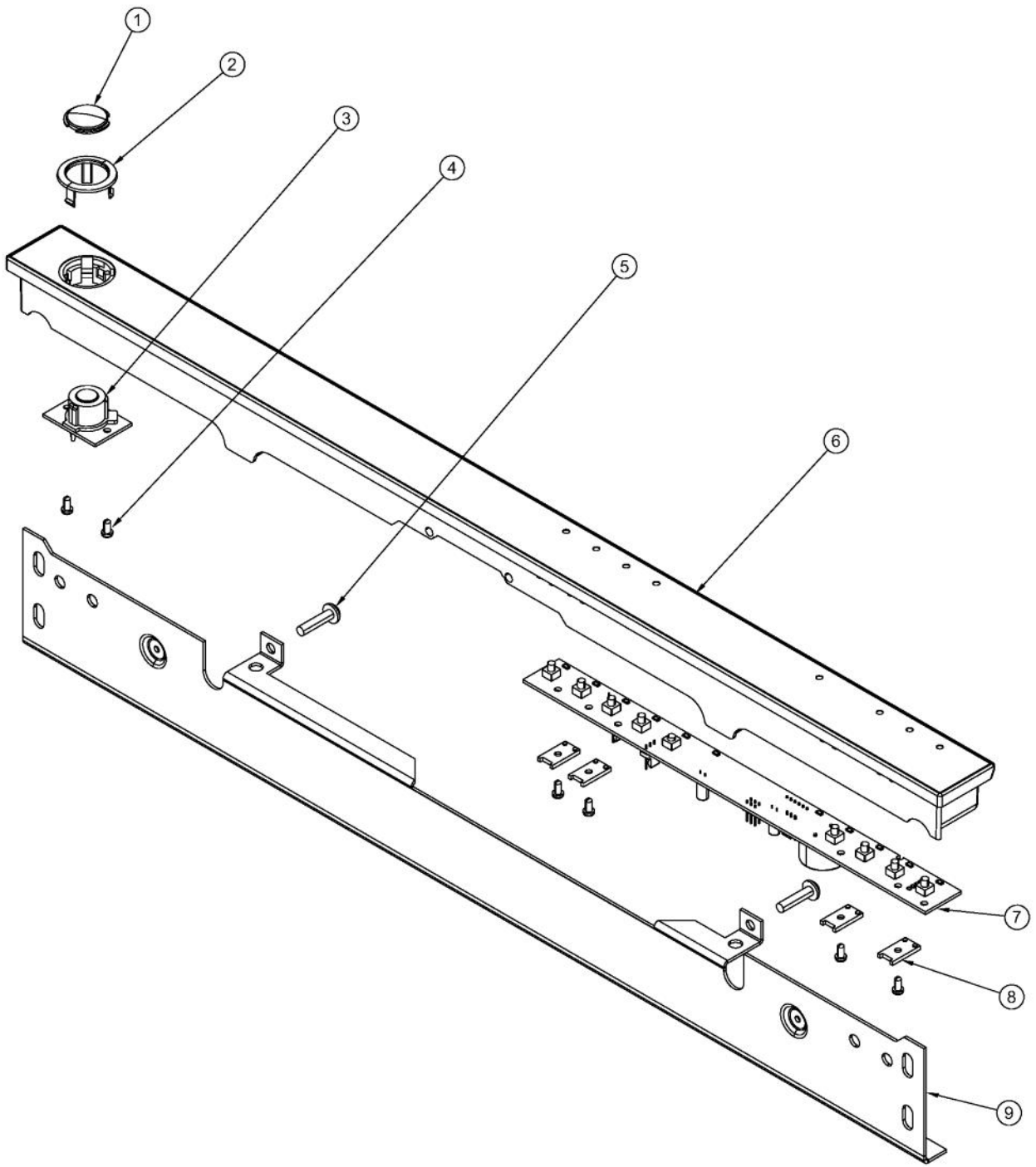
Ref #	Part Number	Qty.	Description
1	PD020249	6	SCREW, NO.8-18 X 3/8, TYPE B, TORX, PAN HEAD, ZINC, BL...
2	PM810488	2	DOOR DAMPENER PULLEY
3	PD020255	16	1/4-20 X 3/8 HEX WSHR THD CUT ZINC
4	032445-000	1	BASE, SIDE, LEFT, 201/351
5	016332-000	4	CIRCUIT BOARD, NYLON, G60 SHIELD
6	031421-000	1	CONTROLLER, MACHINE, DISHWASHER-ELAN'
7	023975-000	2	CLAMP, TUB, REAR
8	PB070338	1	SHIELD, DIELECTRIC
9	N/P	1	CABINET
10	000380-000	1	SUPPORT, MOTOR
11	PE050229	1	FLOOD SENSOR
12	PD020236	1	SCREW, NO.8 - 16 X 3/4, TORX, FLAT HEAD, HI-LO, 304SS
13	024041-000	1	BRACKET, BASE, REAR
14	006575-000	2	TIE WRAP
15	PD040163	3	BUSHING, POWER CORD
16	PM810495	1	HEX BAR
17	017130-000	1	MAXIMUM DEPTH INSTALLATION STICKER
18	007564-000	1	HOSE, WATER FILL, 5-FOOT
19	005033-000	1	POWER CORD-90 DEGREE
20	PE070209	1	STRAIN RELIEF
21	PD020263	2	SCREW; 10-32 X 5/8 TORX, FLAT HD, MACHINE, 18-8SS
22	029377-000	1	WATER VALVE ASSEMBLY S-101D
23	PD020249	5	SCREW, NO.8-18 X 3/8, TYPE B, TORX, PAN HEAD, ZINC, BL...
24	034959-000	1	HOSE, 12 INL. VALVE TO AIR/ WATER INLET
25	006575-000	1	TIE WRAP
26	PD040163	1	BUSHING, POWER CORD
27	032444-000	1	BASE, RIGHT SIDE, WELD ASSY- 201/301
28	000370-000	1	MOUNT, MOTOR
29	001796-000	6	RETAINER, HARNESS
30	PD030179	2	1/4-20 HEX NYLON INSERT LOCK NUT
31	PD020265	2	1/4-20 X 1 1/4 TORX PAN HD MACHINE SCREW
32	PE070708	1	TERMINAL BLOCK
33	003655-000	1	NO.8-32 X 1/4 FLAT 18-8 PASSIVATED MACHINE TORX
34	PF031283	3	LABEL, LEVELING ARROWS
35	019591-000	1	FRONT BASE BRACKET ASSY
36	G5088830	3	LEG LEVELING SYSTEM ASSEMBLY
37	PD020215	6	SCREW, TYPE F, PAN, TORX, ZINC, 8-32 X 1.5, BLUNT
38	PK830366	2	HEX HEAD ADJUSTER, REAR
39	010851-000	1	BRACKET, ADJUSTABLE TOE KICK, RIGHT, ASSY
40	035138-000	1	PANEL, BASE, FR, BR
41	031863-000	1	BITUMEN, PANEL, FR, 3.875
42	032718-000	1	LABEL, WARNINIG, KICK PLATE
43	017249-000	1	KICKPLATE, BLACK, ASSY
44	010850-000	1	BRACKET, ADJUSTABLE TOE KICK, LEFT, ASSY
45	032720-000	1	LABEL, CAUTION, LEVELING LEGS
46	PK830366	1	HEX HEAD ADJUSTER, REAR
47	024147-000	1	PAN, BASE, BOTTOM



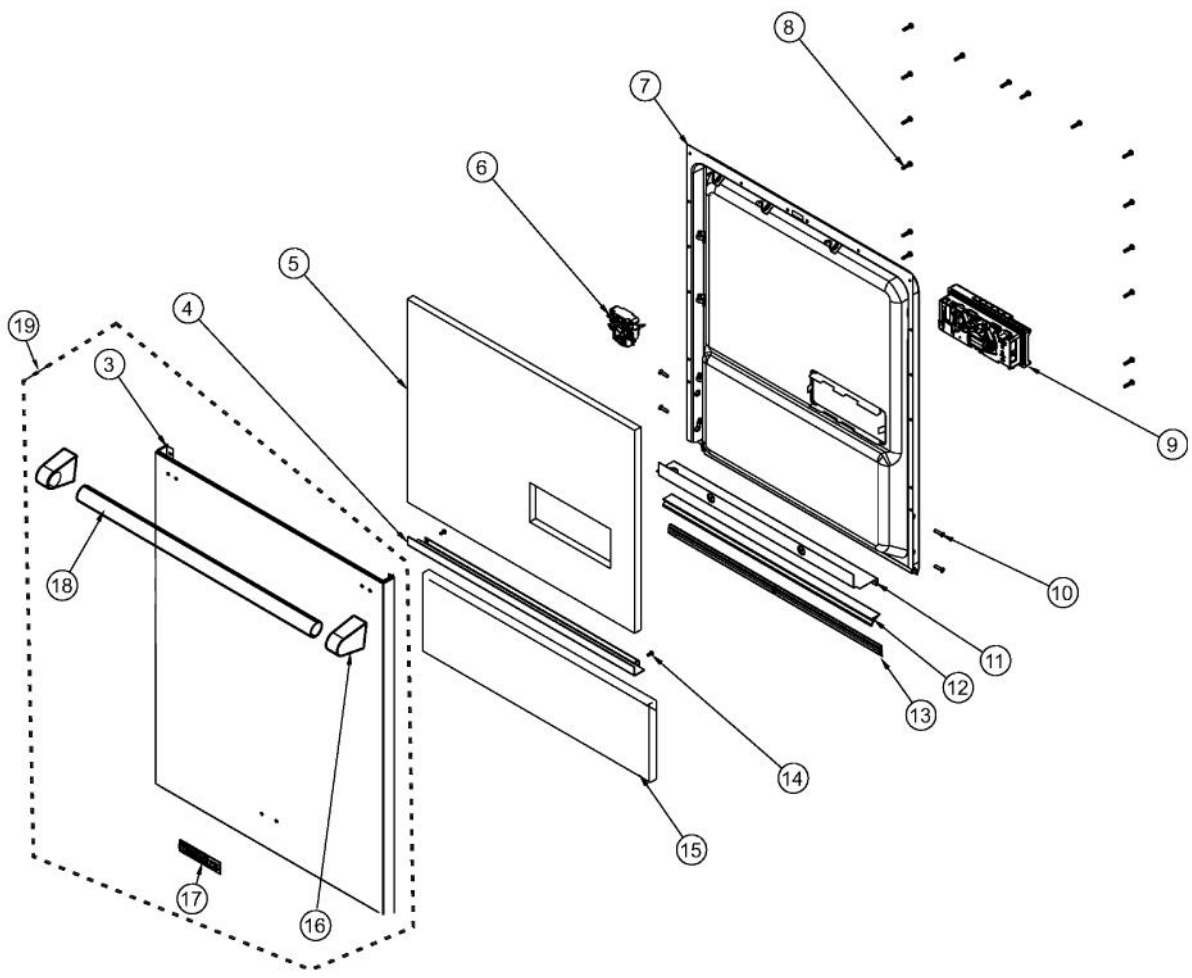
Ref #	Part Number	Qty.	Description
1	004062-000	1	REAR PORT ASSEMBLY
2	F2088867	1	CONDUIT, LOWER
3	020738-000	1	CAPACITOR, MICROFORAD-17UF/250VAC
4	016721-000	1	EMERSON SINGLE SPEED MOTOR & PUMP ASSY
5	PD030165	2	CLAMP, WIRE, HOSE
6	PB020264	1	HOSE, PUMP TO PERIMETER SPRAYER
7	021036-000	1	HOSE, HEATER TO PUMP
8	PD030163	4	CLAMP, WIRE HOSE
9	016403-000	1	HEATER, FLOW THRU, 1200 WATT
10	PB020263	1	HOSE, PUMP TO DIVERTER VALVE
11	021034-000	1	HOSE, SUMP TO HEATER
12	002283-000	2	CLAMP, DOUBLE WIRE, HOSE
13	PA810147	1	DIVERTER VALVE
NI	040626-000	1	DIVERTER VALVE KIT
14	PD020262	3	SCREW, 8-14X3/8 TORX, PAN HEAD, PLASTITE, 304 SS
15	PB870194	2	O-RING, DIVERTER VALVE
16	035260-000	1	VENTURI PLATE, BLACK-201/301
17	PD020245	1	SCREW, NO.6-19 X 3/4 TORX, PAN HEAD, PLASTITE, 304SS
18	PK830260	1	LOWER SPRAY ARM VENTURI SPINDLE
19	G2188882	1	LOWER SPRAY ARM, ASSEMBLY
20	PK830375	1	MIDDLE SPRAY ARM LOCK NUT, 1/4 TURN
21	G2188879	1	MIDDLE SPRAY ARM, ASSEMBLY



Ref #	Part Number	Qty.	Description
1	PB880032	1	TRAP, GLASS
2	G5088865	1	FINE FILTER ASSEMBLY
3	019381-000	1	FILTER, PRIMARY ASSY
4	PB820205	1	HOSE, DRAIN
5	PD030164	1	CLAMP, DOUBLE WIRE, HOSE, .126
6	009039-000	3	SCREW, NO.10 X 3/8 PHIL PAN HD PLASTITE 18-8 PASSIVAT...
7	PB870196	1	SUB TO 020784-000 - O-RING, LEVEL SENSOR
8	003457-000	1	SENSOR, TEMPERATURE ASSY
9	PD830110	1	FILTER LOCKING PLATE
10	PB870195	1	O-RING, DRAIN PUMP
11	006521-000	1	PUMP, DRAIN ASM
12	008554-000	1	TUBE, PRESSURE SENSOR, 6.25
13	003909-000	1	HOUSING, SENSOR TEMPERATURE
14	PD160016	1	PRESSURE SENSOR (8073839)
15	PK830239	1	DRAIN FILTER
16	PD020245	1	SCREW, NO.6-19 X 3/4 TORX, PAN HEAD, PLASTITE, 304SS



Ref #	Part Number	Qty.	Description
1	030795-000	1	BUTTON, COVER
2	030796-000	1	RING, BEZEL
3	029931-000	1	SWITCH, START, ASM
4	PD020197	6	SCREW, HI-LOW, PAN, TORX, ZINC, 4-20 X 0.25
5	033411-000	2	NO.6 X 0.75 PLASTITE SCREW W/NO.8 TORX TRUSS HD
6	034893-000	1	OVERLAY-301
7	031422-000	1	USER INTERFACE, PROGRAMMED-201/301
8	031187-000	4	FASTENER, UBS, UI
9	032814-000	1	BRACE, HANDLE, DOOR



Ref #	Part Number	Qty.	Description
1	028002-000	2	CAP, HANDLE, D3
2	028000-000	1	ENDCAP, RH, D3
3	043077-000	1	SKIN, DOOR, DW, OTR, SS
3	043079-000	1	SKIN, DOOR, DW, OTR- BK
3	043079-006	1	SKIN, DOOR, DW, OTR- WH
4	031062-000	1	BRACKET, DOOR, SPREADER
5	035093-000	1	ABSORBER, SOUND, DOOR, UPPER
6	013380-000	1	DOOR LATCH
7	035114-000	1	DOOR, INNER, ASSY, W/BITUMEN-301
8	033411-000	16	NO.6 X 0.75 PLASTITE SCREW W/NO.8 TORX TRUSS HD
9	029376-000	1	SLIDE SOAP DISPENSER
10	PD020263	4	SCREW; 10-32 X 5/8 TORX, FLAT HD, MACHINE, 18-8SS
11	031061-000	1	BRACKET, DOOR, INNER
12	025033-000	1	DOOR WIPER, 6
13	014072-000	1	SEAL, DOOR, LOWER
14	PD020249	2	SCREW, NO.8-18 X 3/8, TYPE B, TORX, PAN HEAD, ZINC, BL...
15	035095-000	1	ABSORBER, SOUND, DOOR, LOWER
16	026965-000	1	END CAP, ASM, DOOR HANDLE
17	041992-000	1	NAMEPLATE, VIKING, 4.500
18	034825-000	1	HANDLE, DW
19	043078-000	1	SKIN, DOOR, DW, VIKING, SS, ASSY
19	043080-002	1	SKIN, DOOR, DW, VIKING, ASSY- BK
19	043080-006	1	SKIN, DOOR, DW, VIKING, ASSY- WH

Wiring



Ref #	Part Number	Qty.	Description
1	001796-000	3	RETAINER, HARNESS
1	040960-000	1	HARNESS, HV BASE ASSY
1	040967-000	1	HARNESS, LOW VOLTAGE BASE
1	040965-000	1	DOOR JUMPER
1	PK030170	5	RETAINER, HARNESS
1	040953-000	1	HARNESS, DOOR