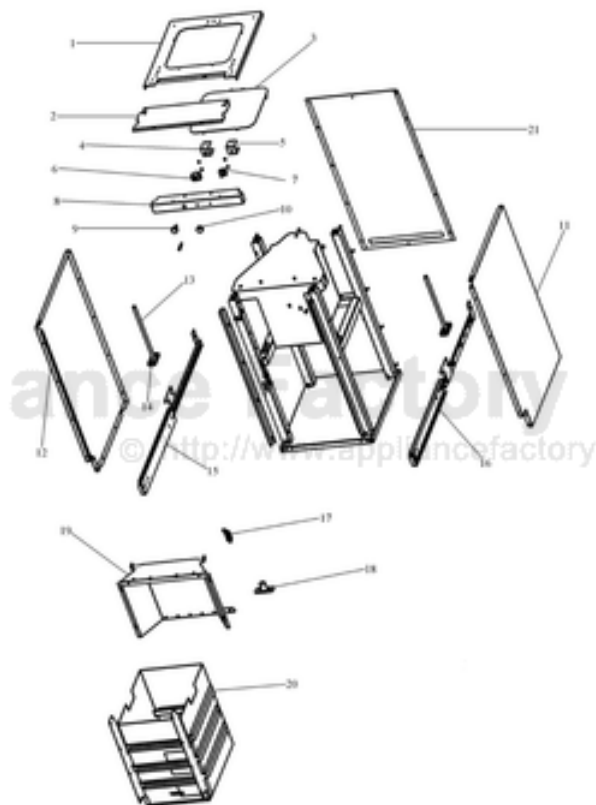


This Owner's Manual is provided and hosted by [Appliance Factory Parts](http://www.appliancefactoryparts.com).



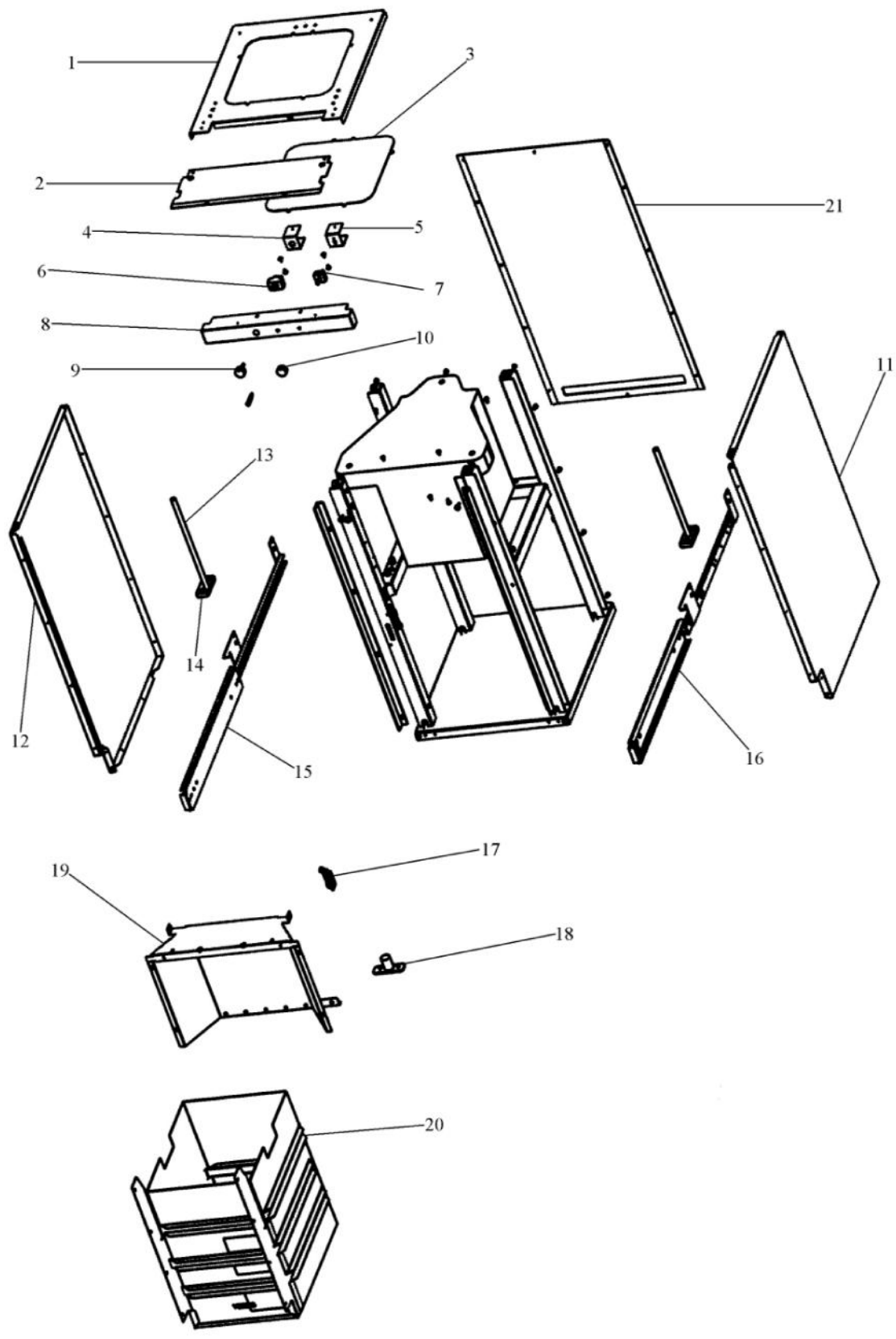
VIKING DFC180 Owner's Manual

[Shop genuine replacement parts for VIKING DFC180](#)

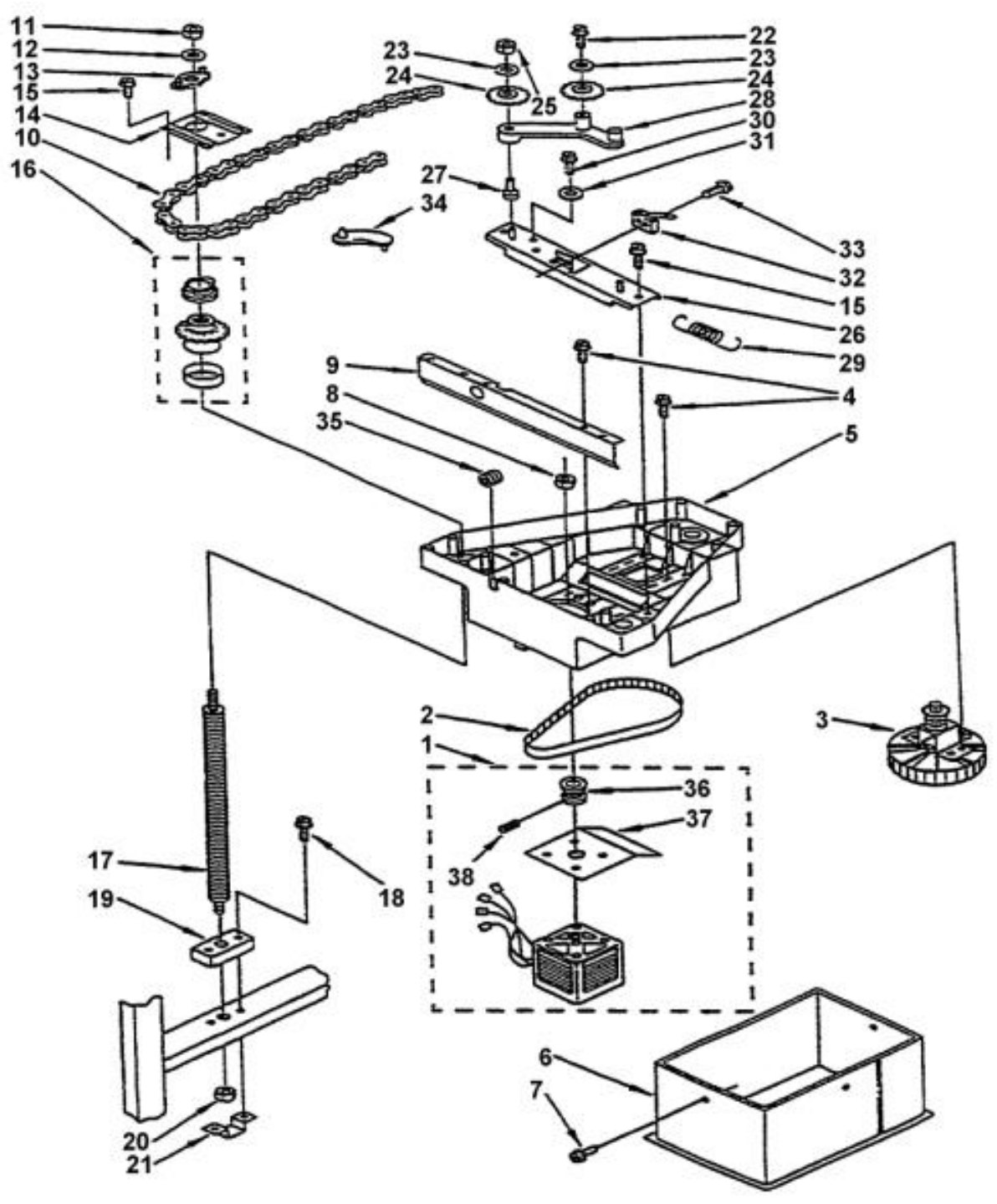


[Find Your VIKING Disposal Parts - Select From 12 Models](#)

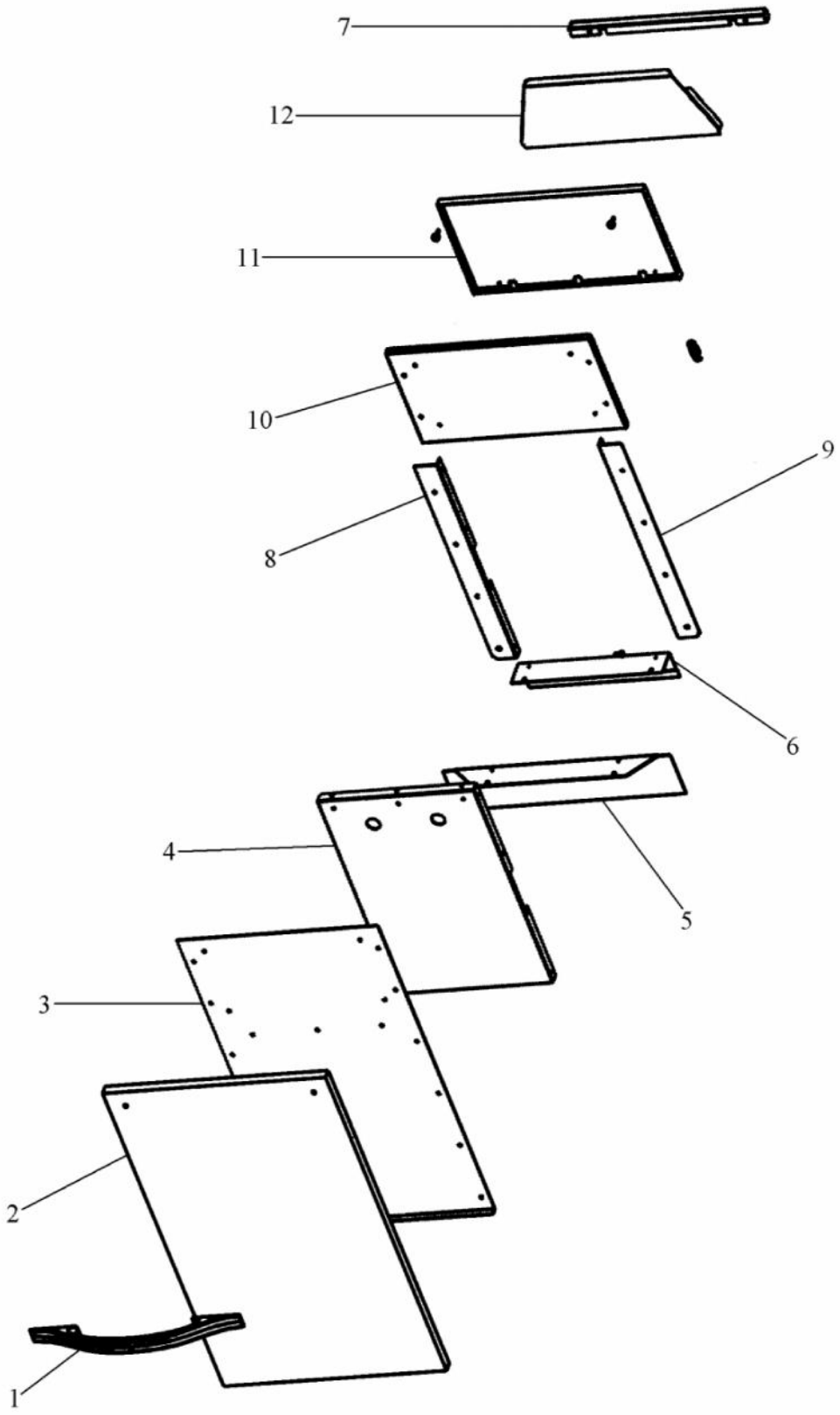
----- Manual continues below -----



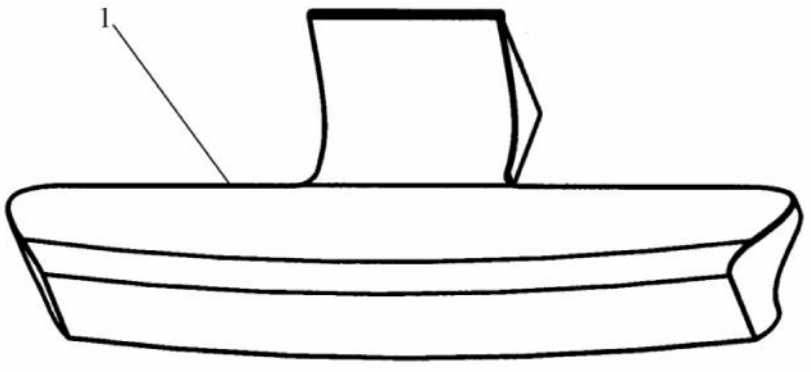
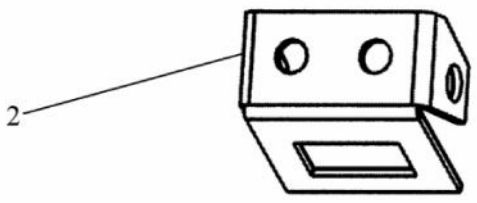
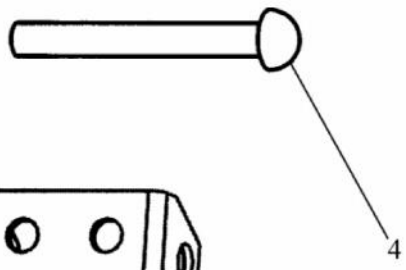
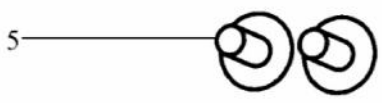
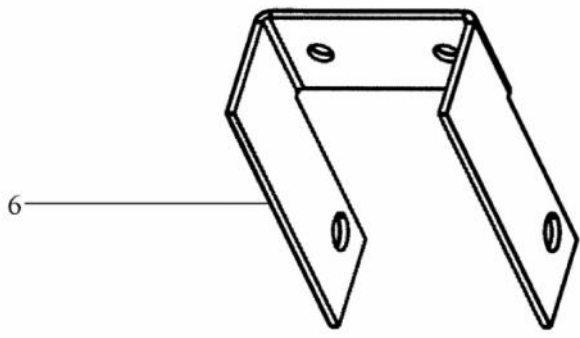
Ref #	Part Number	Qty.	Description
1	PC110019		FRAME COVER PLATE
2	PC110020		TOP FRONT PLATE
3	NOT REPLACEABLE		OVEN CAVITY (NOT REPLACEABLE PART)
4	A2007682		KEYLOCK SWITCH BRACKET
5	A2007680		FAN SWITCH BRACKET
6	PC120012BK		ROTARY SWITCH (FOR BLACK MODELS)
7	PE050117		FAN SWITCH -DESIGN. TRASH COMPACTOR
8	B9207684		CONTROL PANEL (DUC180)
	C9207684BK		CONTROL PANEL XBKX
	C9207684BT		CONTROL PANEL - BT
	C9207684GG		CONTROL PANEL - GG
	C9207684SG		CONTROL PANEL - SG
	C9207684WH		CONTROL PANEL XWHX
9	PA010128		SELECTOR KNOB ASSY
	PA010128PVD		SELECTOR KNOB ASSY BRASS
10	PA010127		FAN SWITCH KNOB ASSY
	PA010127PVD		FAN SWITCH KNOB ASSY BRASS
11	C9007688BK		SIDE PANEL-RH XBKX
12	C9007687BK		SIDE PANEL-RH XBKX
13	PC100022		POWER SCREW
14	PC110010		LOWER STOP RAM
15	G3007983		SLIDE WELDING ASSY, LH
16	G3007982		SLIDE WELDING ASSY, RH
17	PC120006		DRAWER SWITCH
18	PD050014		ROLLER CATCH
19	G3108297		LITTER BIN ASSY (DUC180)
20	A30012671		TRASH BASKET (DFC180)
21	PC110033		CABINET BACK PANEL
NI	G50012660		LINER/CLIP SERVICE KIT (ALL TRASH COMPACTORS)



Ref #	Part Number	Qty.	Description
1	PC120001		MOTOR DRIVE
2	PC100019		DRIVE BELT
3	PC100020		DRIVEN SPROCKET
4	PC100001		1/4-20 X 2 SCREW
5	PC110001		TOP RAM
6	PC110002		BOTTOM RAM
7	PD020028		SCREW, DRIVE NO.8-18 X 1/2 PAN C.REC
8	PC100003		10-32 NUT
9	PC110003		TOP BRACE
10	PC100018		DRIVE CHAIN
11	PC100004		5/16-18 NUT
12	PC100005		WASHER
13	PC110004		UPPER RAM STOP
14	PC110007		SIDE PANEL-L.H.
	PC110008		SIDE PANEL-R.H.
	PC110009		REAR PANEL
15	PD010003		10-24 X 1/2 PH.TR.HD.SERD.M.S.
16	PC100021		POWER SCREW SPROCKET
17	PC100022		POWER SCREW
18	PD010006		HEX HD. BOLT - 1/4-20 X 1/2
19	PC110010		LOWER STOP RAM
20	PC100002		NUT
21	PC100006		NUT RETAINER
22	PC100007		NO.8 X 5/16 SCREW
23	PC100008		WASHER
24	PC100023		IDLER SPROCKET
25	PC100009		REPL PC100043 PUSH NUT
26	PC110011		IDLER PLATE
27	PC100010		BUSHING
28	PC110012		IDLER ARM-L.H.
	PC110013		IDLER ARM-R.H.
29	PC100011		CHAIN TENSION SPRING
30	PC100012		NO.10 X 12 SCREW
31	PC100013		WASHER
32	PC120002		DIRECTIONAL SWITCH
33	PD020025		SCREW, DRIVE NO.6-32 X 1 PAN C.REC.T
34	PC100014		WIRE RETAINER
35	PC100015		WIRING GROMMET
36	PC100024		TIMING PULLEY
37	PC110014		DEFLECTOR DEBRIS
38	PC100016		GEAR PIN



Ref #	Part Number	Qty.	Description
1	PE030168 PE030168PVD		DESIGNER COMPACTOR HANDLE DESIGNER COMPACTOR HANDLE PVD
2	CUSTOMER SUPPLI...		OVERLAY PANEL
3	B20012292		OVERLAY PLATE
4	B20012298		OVERLAY SUPPORT
5	PC110026		TOE PLATE
6	PC110027		TOE PLATE BRACKET
7	B2008291		BRACKET, STORAGE COVER
8	B20012293		OVERLAY MTG. BRKT. - LH
9	B20012294		OVERLAY MTG. BRKT.-RH
10	B20012297		UPPER OVERLAY SUPPORT
11	B20012296		FLAP SUPPORT
12	G3108298		STORAGE COVER ASSEMBLY (DUC180)



Ref #	Part Number	Qty.	Description
1	PE030118 PE030118PVD		LIFT HANDLE DUC180 BRASS LIFT HANDLE (DESIGNER COMPACTOR)
2	A2007928		LATCH, ELBOW
3	PC100042		LOCK NUT
4	PC100040		PIN
5	PD020004		10X3/8PH.HD.TYPE 25 REPL PD040125
6	A2007927		LATCH HINGE