

This Owner's Manual is provided and hosted by [Appliance Factory Parts](#).



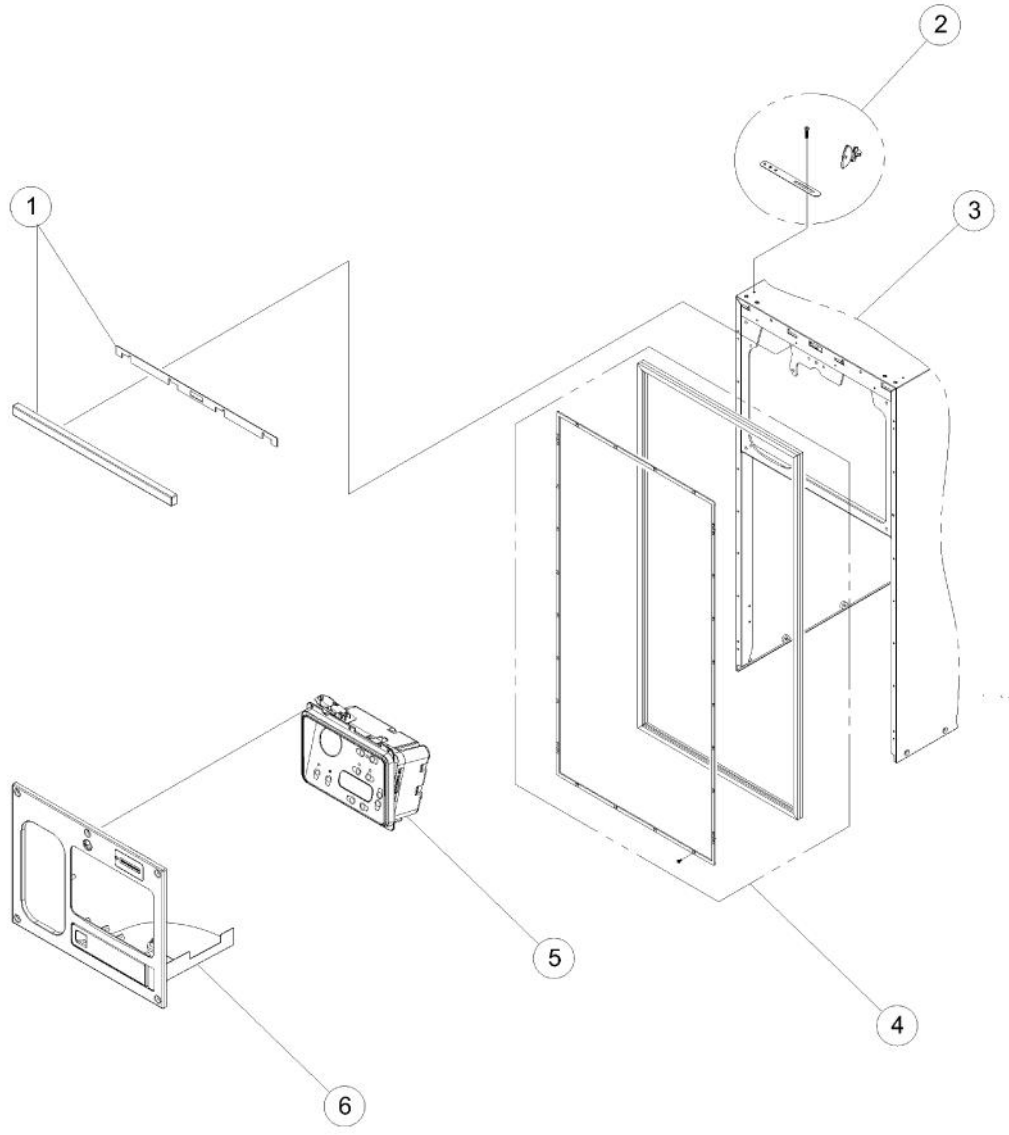
VIKING FCU150 Owner's Manual

[Shop genuine replacement parts for VIKING FCU150](#)

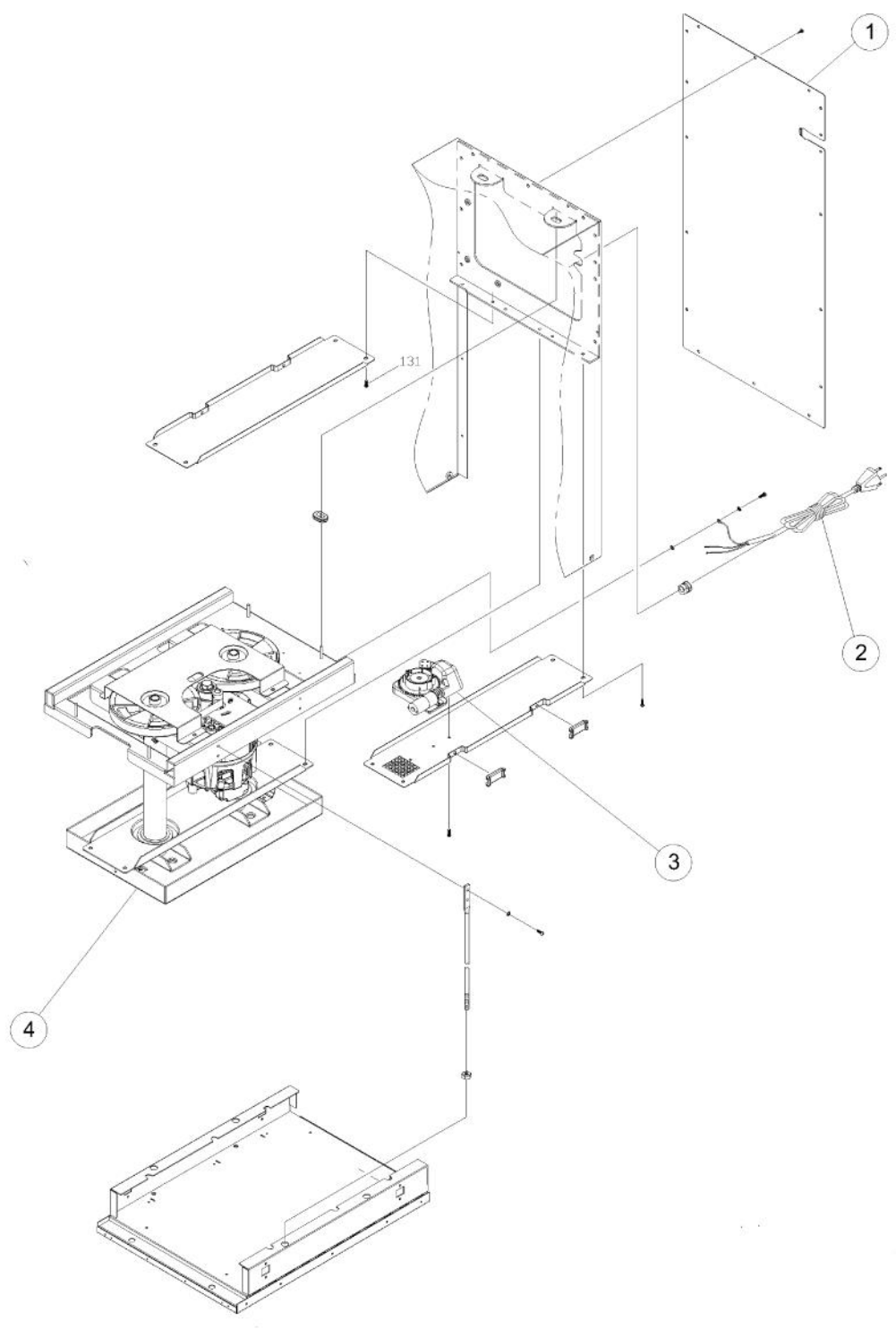


[Find Your VIKING Disposal Parts - Select From 12 Models](#)

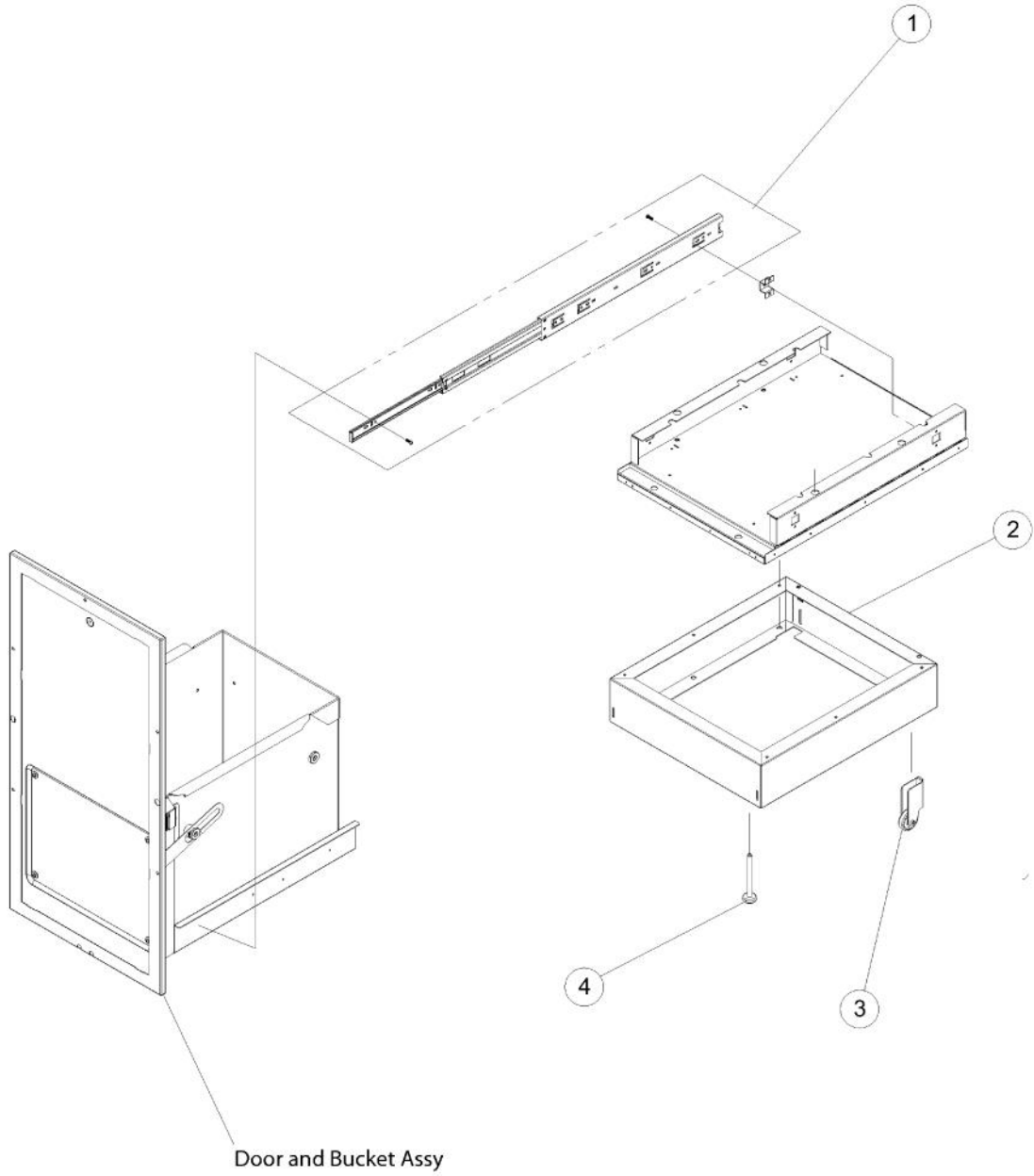
----- Manual continues below -----



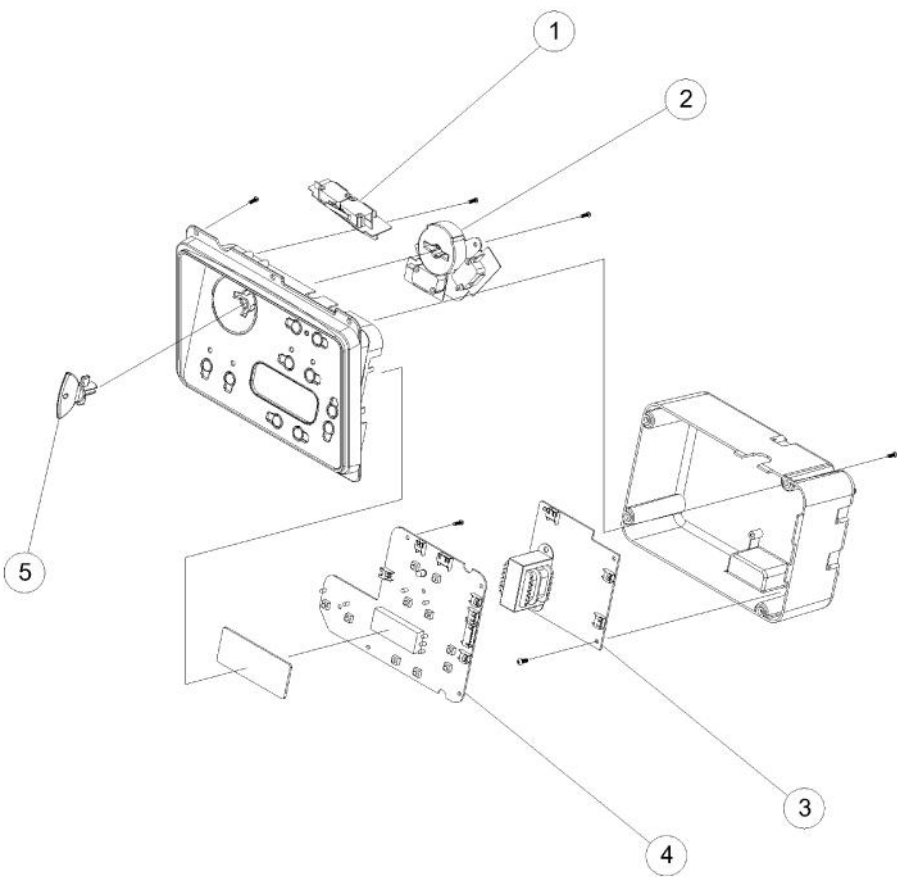
Ref #	Part Number	Qty.	Description
1	028597-000	1	UPPER TRIM COVER
2	028623-000	1	PARTS BAG ASSY -15 CMPT
3	028624-000	1	CABINET
4	028598-000	1	DOOR GASKET ASSEMBLY
5	028634-000	1	DISPLAY MODULE
6	028599-000	1	CONTROL PANEL-AUTO ADVANCE



Ref #	Part Number	Qty.	Description
1	028625-000	1	CABINET BACK
2	028609-000	1	POWER CORD
3	028611-000	1	GEAR MOTOR-ODOR DISK
4	028612-000	1	POWER UNIT MECH ELECTRONIC MODEL



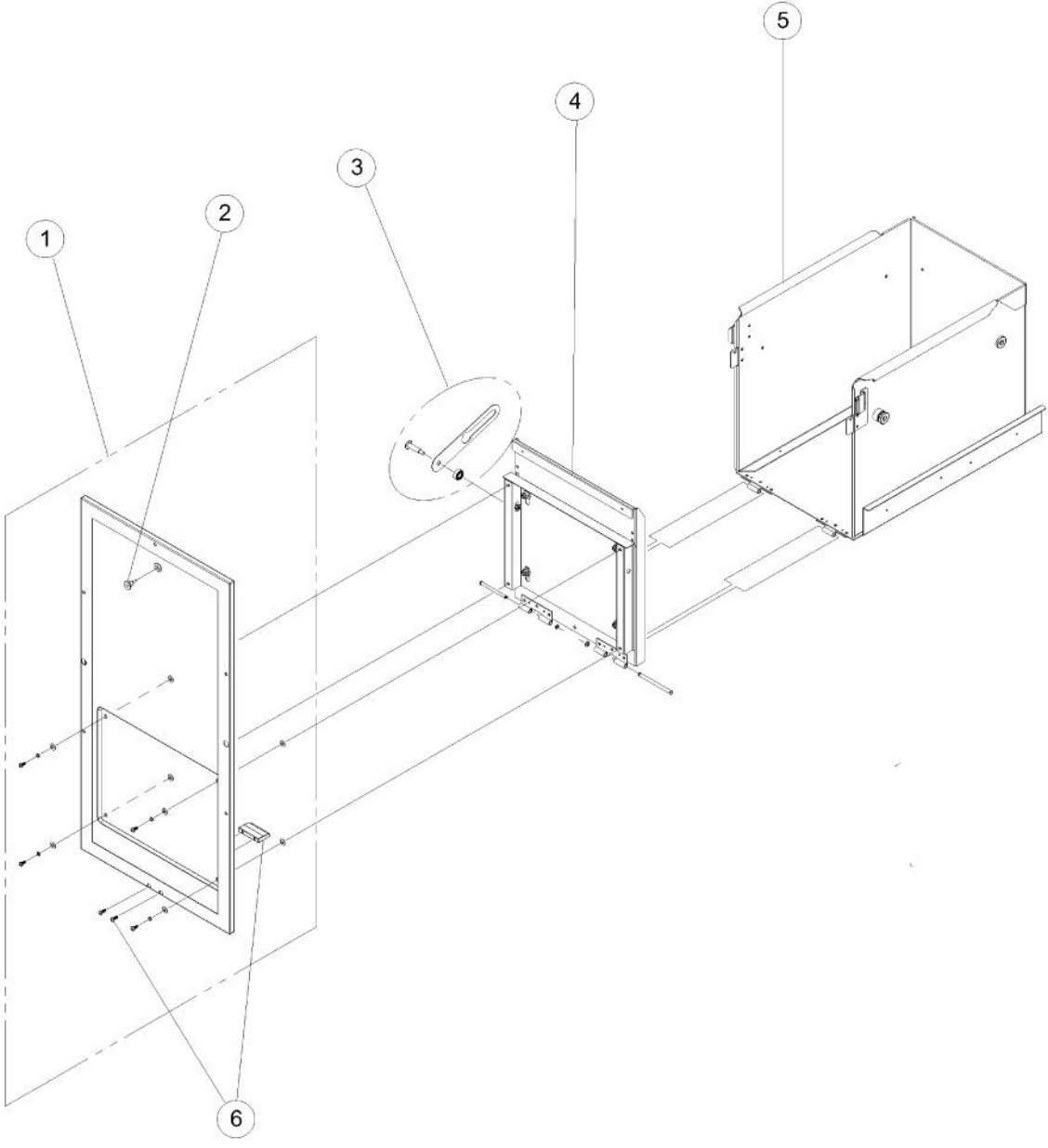
Ref #	Part Number	Qty.	Description
1	028604-000	2	BUCKET SLIDE ASSEMBLY
2	028607-000	1	CABINET STAND/BASE
3	028606-000	2	LEVELING WHEEL ASSEMBLY
4	028605-000	2	LEVELING LEG



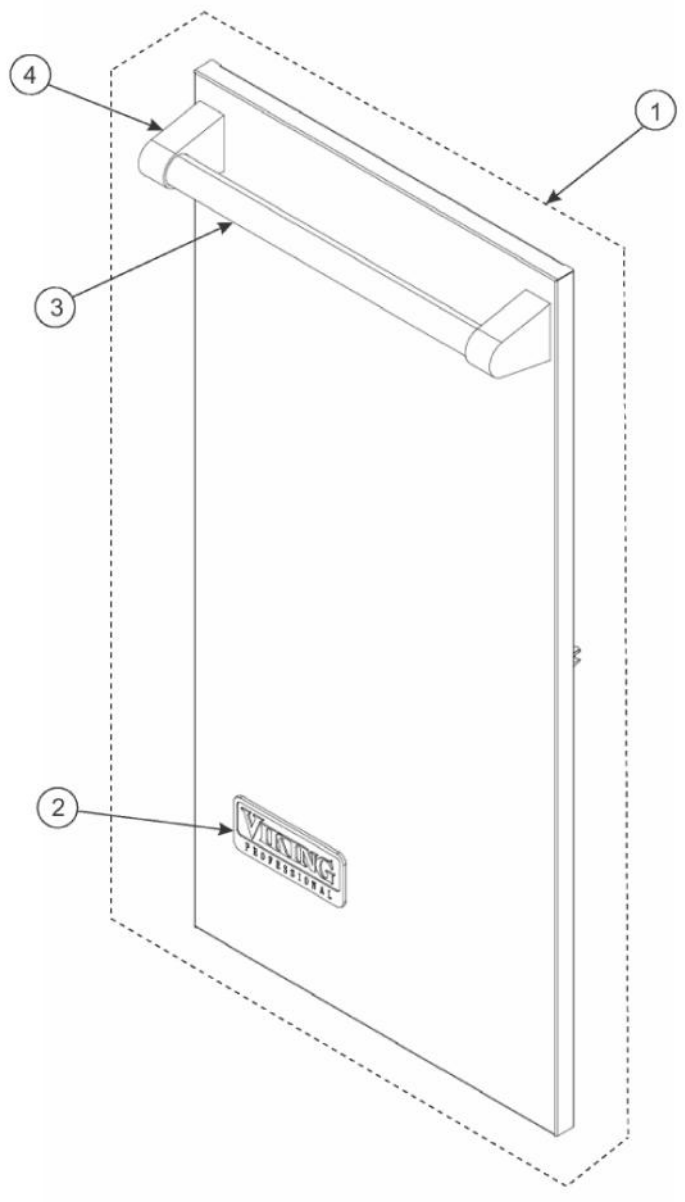
Ref #	Part Number	Qty.	Description
1	028601-000	1	SAFETY INTERLOCK SWITCH-XE
2	028602-000	1	KEY SWITCH ELECTRONIC MODULE
3	028600-000	1	AC/DC ASSY
4	028635-000	1	PCB ASSEMBLY
5	028603-000	1	KEY

*No Image
Available*

Ref #	Part Number	Qty.	Description
1	028613-000	1	DRIVE BELT
2	028614-000	2	DRIVE WHEEL
3	028616-000	1	UPPER LIMIT SWITCH ASSY-ELECTRONIC MODEL
4	028621-000	1	LOWER LIMIT SWITCH
5	028620-000	1	RAM SCREW ASSEMBLY
6	028632-000	1	COMPRESSION PLATE PAD
7	028610-000	1	COMPACTION PLATE-SS
8	028633-000	1	COMPRESSION PLATE
9	028622-000	1	LATCH ASSY-COMPACTION PLATE
10	028619-000	1	MOTOR CAPACITOR
11	028618-000	1	CENTRIFUGAL SWITCH ASSEMBLY
12	028617-000	1	MAIN MOTOR
13	028615-000	1	IDLER WHEEL



Ref #	Part Number	Qty.	Description
1	028626-000	1	DOOR PAN ASSY
2	028627-000	1	INTERLOCK ACTUATOR
3	028631-000	1	DOOR STRAP
4	028630-000	1	TRASH BUCKET DOOR & SLIDE PAN
5	028629-000	1	BUCKET ASSEMBLY
6	028628-000	1	DOOR TAB



Ref #	Part Number	Qty.	Description
1	025114-000	1	SKIN, DOOR, 15 COMPACTOR PRO ASSY, SS
1	032503-002	1	SKIN, DOOR, 15 COMPACTOR PRO ASSY, BK
1	032503-003	1	SKIN, DOOR, 15 COMPACTOR PRO ASSY, BT
1	032503-004	1	SKIN, DOOR, 15 COMPACTOR PRO ASSY, SG
1	032503-005	1	SKIN, DOOR, 15 COMPACTOR PRO ASSY, GG
1	032503-006	1	SKIN, DOOR, 15 COMPACTOR PRO ASSY, WH
1	032503-008	1	SKIN, DOOR, 15 COMPACTOR PRO ASSY, BU
1	032503-009	1	SKIN, DOOR, 15 COMPACTOR PRO ASSY, LE
1	032503-010	1	SKIN, DOOR, 15 COMPACTOR PRO ASSY, MJ
1	032503-012	1	SKIN, DOOR, 15 COMPACTOR PRO ASSY, VB
1	032503-013	1	SKIN, DOOR, 15 COMPACTOR PRO ASSY, CB
1	032503-015	1	SKIN, DOOR, 15 COMPACTOR PRO ASSY, PL
1	032503-016	1	SKIN, DOOR, 15 COMPACTOR PRO ASSY, CH
1	032503-017	1	SKIN, DOOR, 15 COMPACTOR PRO ASSY, TP
1	032503-018	1	SKIN, DOOR, 15 COMPACTOR PRO ASSY, CW
1	032503-019	1	SKIN, DOOR, 15 COMPACTOR PRO ASSY, OG
1	032503-021	1	SKIN, DOOR, 15 COMPACTOR PRO ASSY, SA
1	032503-022	1	SKIN, DOOR, 15 COMPACTOR PRO ASSY, SE
1	032503-023	1	SKIN, DOOR, 15 COMPACTOR PRO ASSY, IB
1	032503-024	1	SKIN, DOOR, 15 COMPACTOR PRO ASSY, AR
1	032503-025	1	SKIN, DOOR, 15 COMPACTOR PRO ASSY, RR
1	032503-026	1	SKIN, DOOR, 15 COMPACTOR PRO ASSY, PM
1	032503-027	1	SKIN, DOOR, 15 COMPACTOR PRO ASSY, MS
2	PE010016	1	NAMEPLATE, LOGO, PRO
3	025115-000	1	HANDLE, DOOR, 15 COMPACTOR PRO
4	PE030001	2	BRACKET, DOOR, HANDLE
NI	PD030006	2	CAPPED WASHER PAL NUT