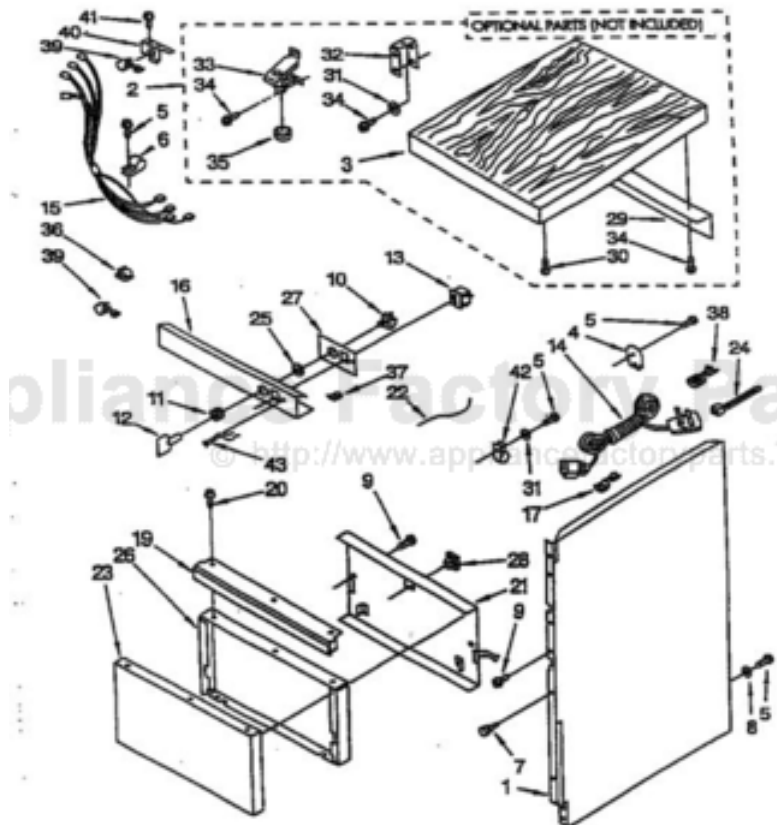


This Owner's Manual is provided and hosted by [Appliance Factory Parts](http://www.appliancefactoryparts.com).



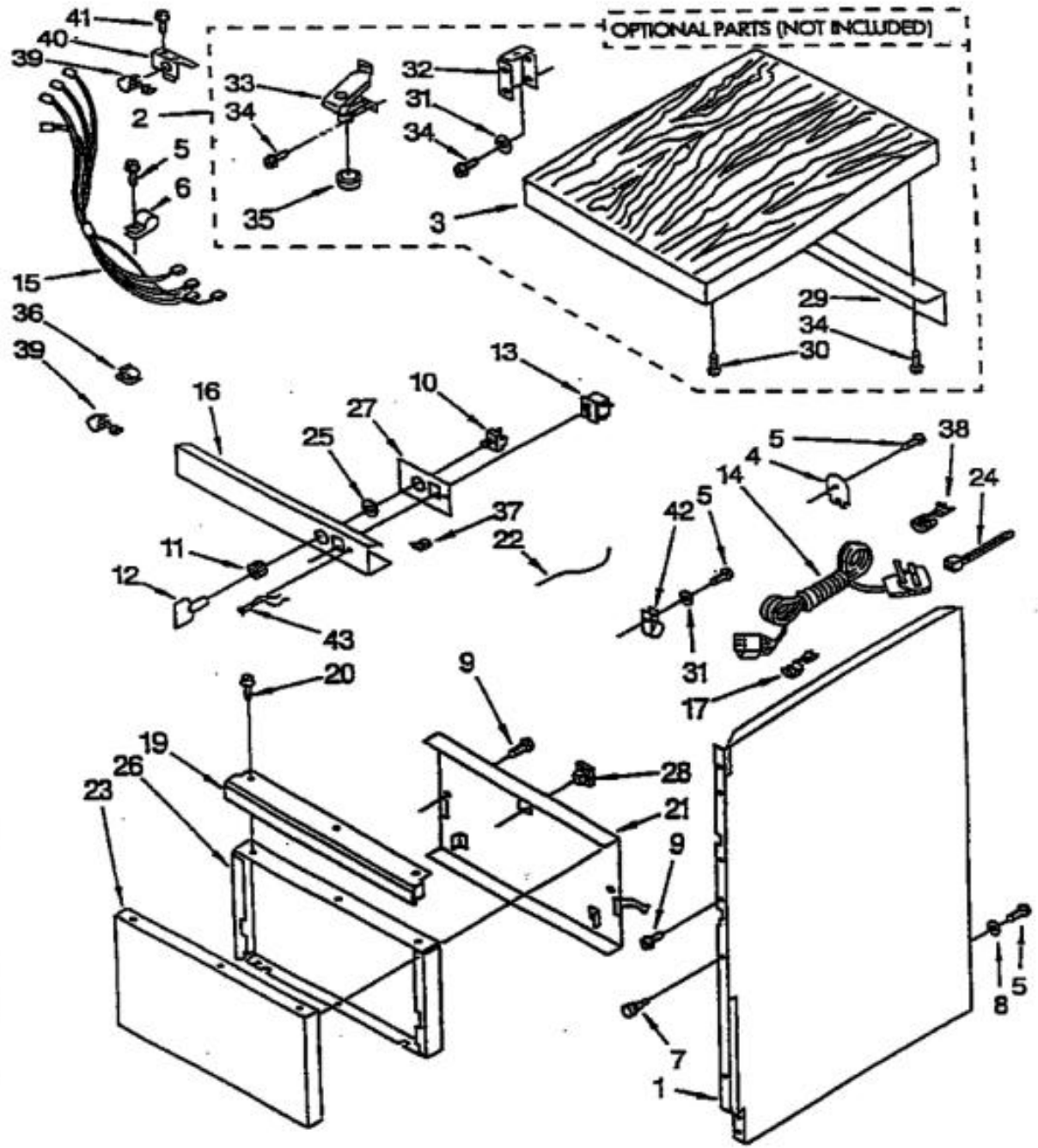
# VIKING VUC180 Owner's Manual

[Shop genuine replacement parts for VIKING VUC180](#)



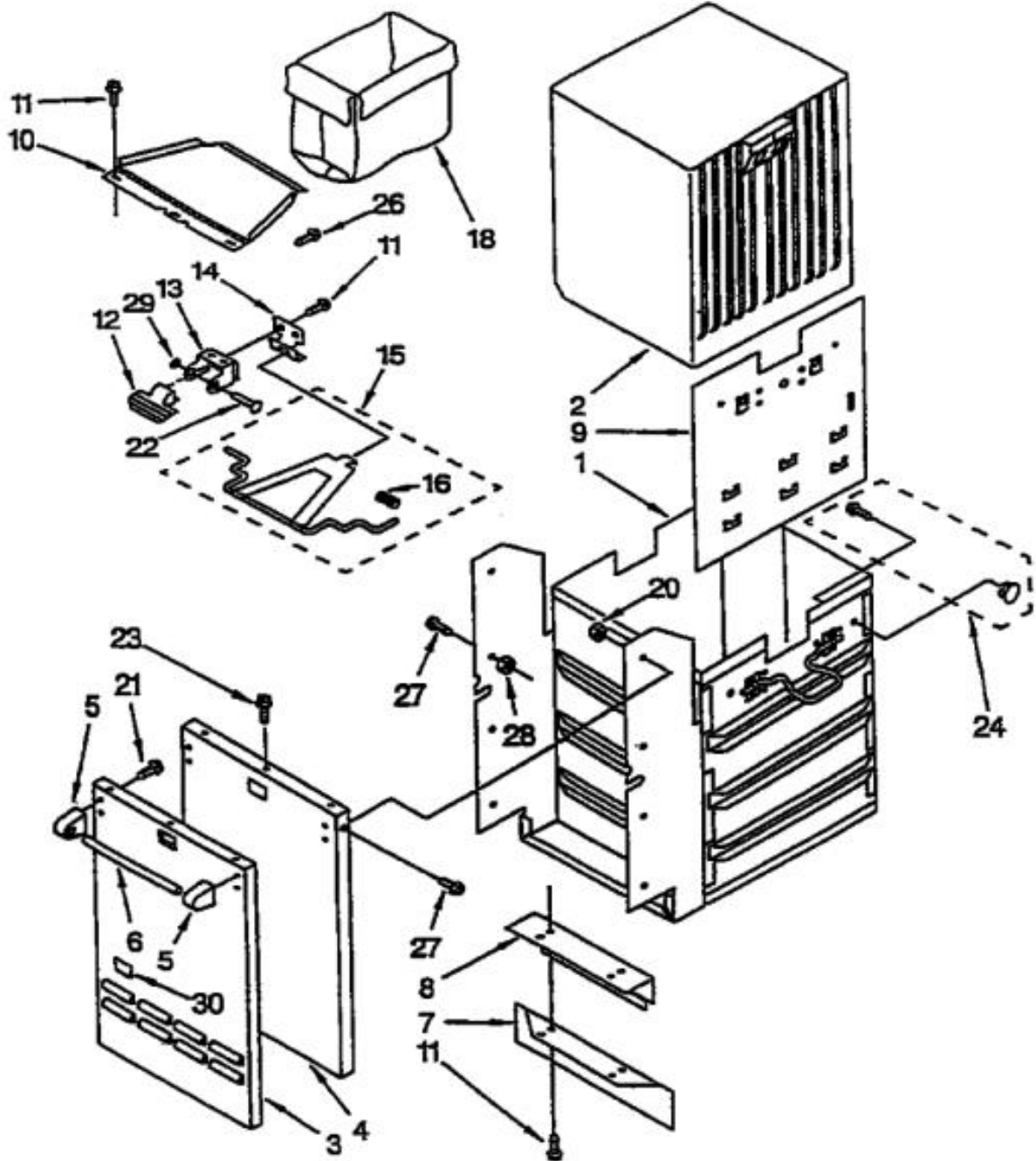
[Find Your VIKING Disposal Parts - Select From 12 Models](#)

----- Manual continues below -----

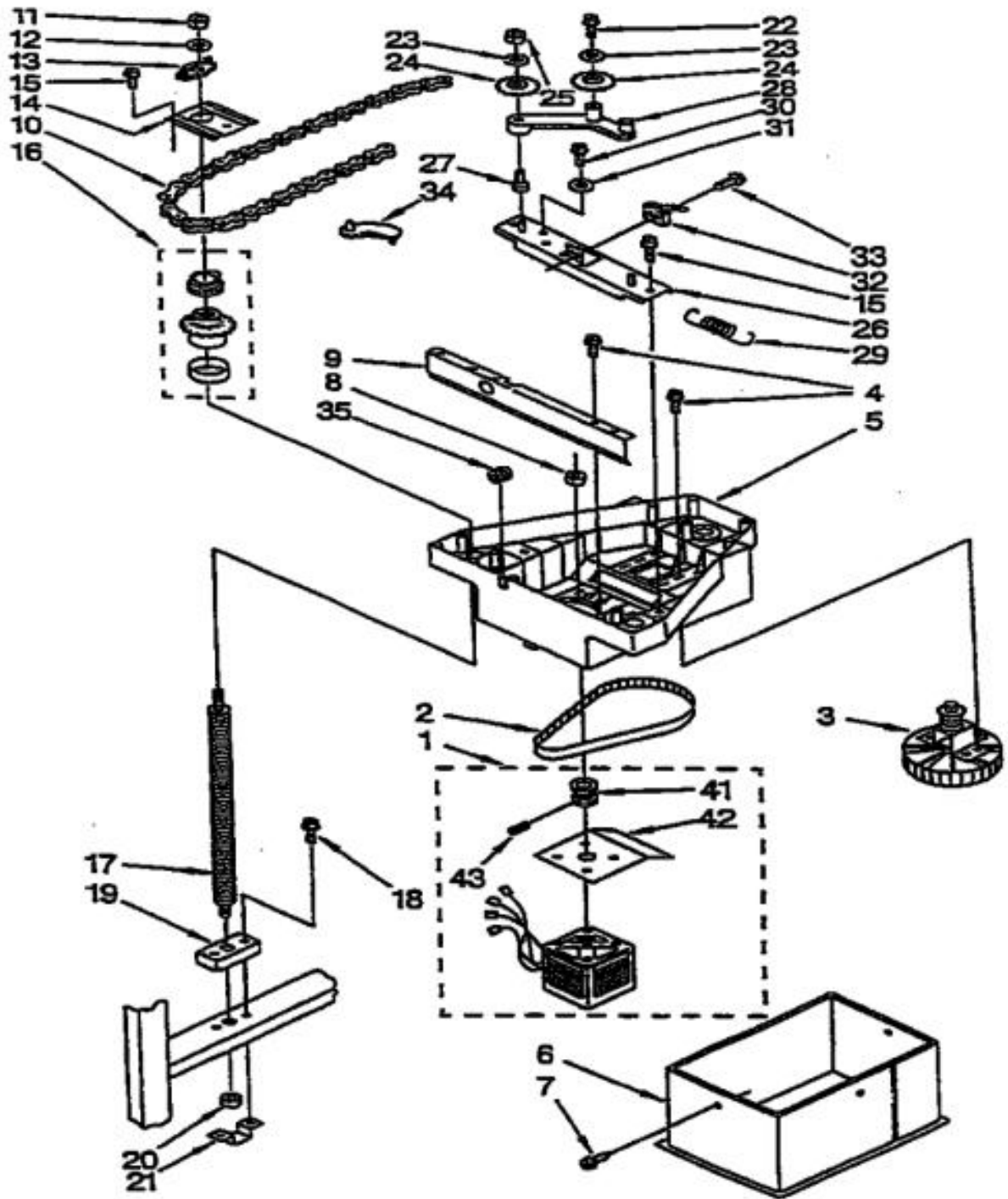


Ref #	Part Number	Qty.	Description
1	PC110031		CABINET PANEL-L.H.
	PC110032		CABINET PANEL-R.H.
	PC110033		CABINET BACK PANEL
2	SALES ITEM		WATER FILTER
3	PC130008		WOOD TOP
4	PC110034		PLATE
5	PD020003		NO.10 X 1/2 T(A) HEX WASHER HEAD
6	PC100044		WIRE CLAMP
7	PC100045		CONTAINER BUMPER
8	PC100046		WASHER
9	PD020004		10X3/8PH.HD.TYPE 25 REPL PD040125
10	PC120012BK		ROTARY SWITCH (FOR BLACK MODELS)
11	PC100047SS		SWITCH NUT (S.S.)
	PC100047BK		SWITCH NUT (BLACK)
	PC100047WH		SWITCH NUT - WH
12	PC120013		SWITCH KEY
13	PE050016		OVEN LIGHT SWITCH - XBKX (WES-GAR)
	PE050017		OVEN LIGHT SWITCH - XWHX (WES-GAR)
14	PC120015		POWER CORD
15	PC120016		WIRING HARNESS-MAIN
	PC120017		WIRING HARNESS-RAM SWITCH TO KEY
	PC120018		WIRING HARNESS-ROCKER SWITCH TO FAN
	PC120019		WIRING HARNESS-MTR DR TO DIRECT SWT
	PC120020		WIRING HARNESS-INTERLOCK TO BYPASS
	PC120021		WIRING HARNESS-POWER DISTRIBUTION
16	B9201088		CTRL PAN (VUC-180) XSLK SCR
17	PC100050		POWER CORD BUSHING
19	B2001089		LITTER BIN HANDLE - SS
	C9301089PVD		DOOR HANDLE - LITTER (VUC180) PVD
20	PD020001		10 X 5/16 HEX WASHER HEAD T(25)
21	PC110035		LITTER BIN PANEL-REAR
22	PC120022		WIRE LEAD (RED)
	PC120026		WIRE LEAD - WHITE
23	PC120023SS		OUTSIDE UPPER DOOR PANEL (S.S.)
	PK000023AL		DOOR PANEL-VUC181 XALX
	PK000023BK		DOOR PANEL-VUC181 XBKX
	PK000023BT		DOOR PANEL-VUC181 XBTX
	PK000023BU		DOOR PANEL-VUC181 XBUX
	PK000023CB		DOOR PANEL-VUC181 XCBX
	PK000023EP		DOOR PANEL-VUC181 XEPX
	PK000023FG		DOOR PANEL-VUC181 XFGX
	PK000023GG		DOOR PANEL-VUC181 XGGX
	PK000023LE		DOOR PANEL-VUC181 XLEX
	PK000023LN		DOOR PANEL-VUC181 XLNX
	PK000023MJ		DOOR PANEL-VUC181 XMJX
	PK000023PL		DOOR PANEL-VUC181 XPLX
	PK000023SG		DOOR PANEL-VUC181 XSGX
	PK000023VB		DOOR PANEL-VUC181 XVBX
	PK000023WH		DOOR PANEL-VUC181 XWHX
24	PC100051		CABLE TIE
25	PC100052		WASHER
26	PC130009		BIN TOP
27	PC110036		SWITCH BARRIER
28	PC120025		DOOR CATCH
29	PC110037		WOOD TOP BRACKET
30	PC100053		NLA
31	PC100054		WASHER
32	PC110038		LEVELING LEG BLOCK - RH
	PC110039		LEVELING LEG BLOCK - LH
33	PC110040		FOOT BRACKET

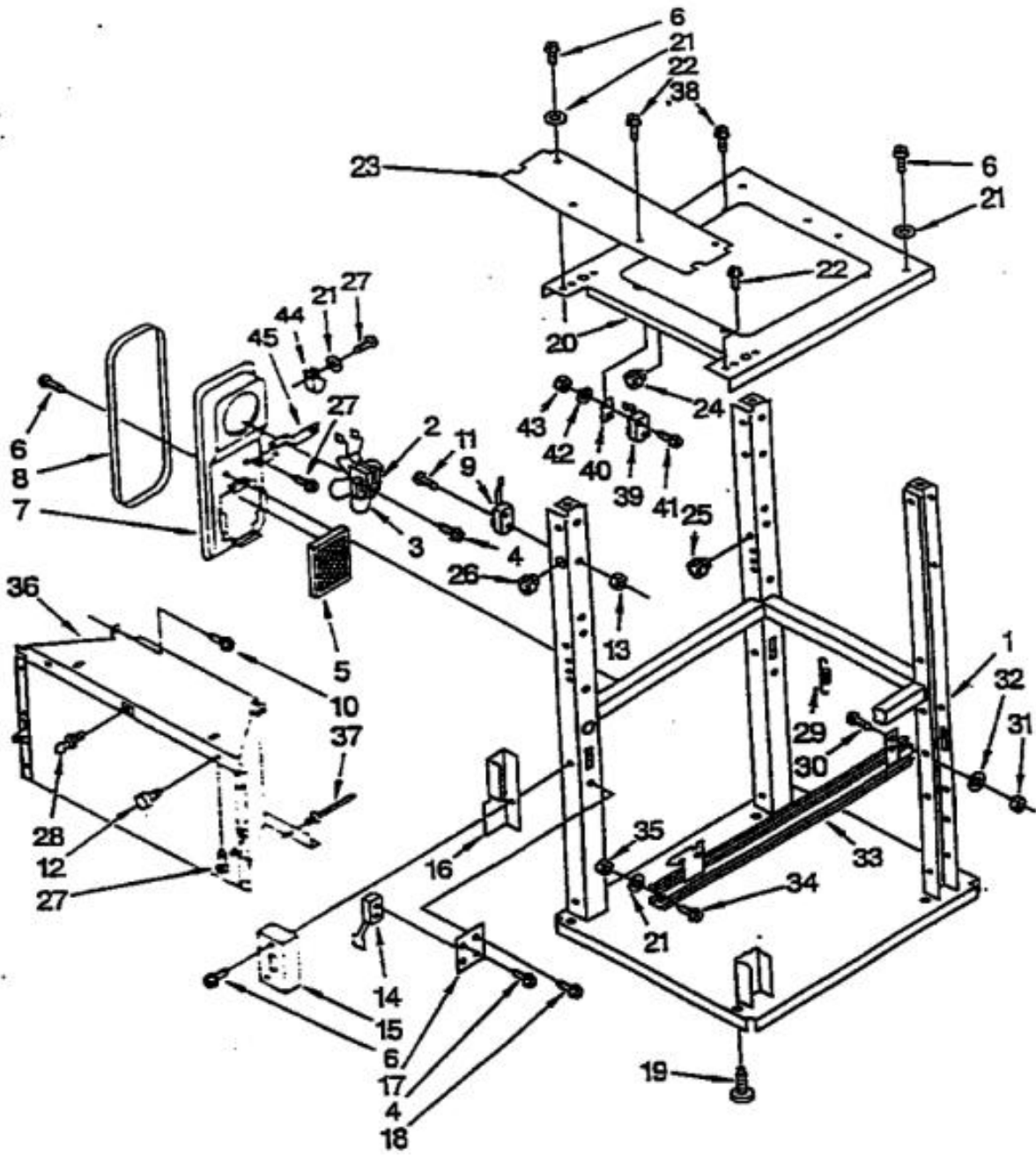
Ref #	Part Number	Qty.	Description
33	PC110040		FOOT BRACKET
34	PD020003		NO.10 X 1/2 T(A) HEX WASHER HEAD
35	PC100055		FOOT CLIP
36	PC100056		CABLE CLIP
37	PC100057		SPEED NUT
38	PC100058		STRAIN RELIEF
39	PC100059		STRAIN RELIEF (90 DEG.)
40	PC110041		BRACKET
41	PC100060		SCREW
42	PC100061		CORD CLAMP
43	PC120024		INDICATOR LIGHT (GRAYSON BLU)



Ref #	Part Number	Qty.	Description
1	PC130006		CONTAINER
2	PC110024		SUB TO G50012660 - CONTAINER LINER
3	PC120009SS		DRAWER PANEL (COMPACTOR) S.S.
	PK000024AL		DRAWER PANEL-VUC181 XALX
	PK000024BK		DRAWER PANEL-VUC181 XBKX
	PK000024BT		DRAWER PANEL-VUC181 XBTX
	PK000024BU		DRAWER PANEL-VUC181 XBUX
	PK000024CB		DRAWER PANEL-VUC181 XCBX
	PK000024EP		DRAWER PANEL-VUC181 XEPX
	PK000024FG		DRAWER PANEL-VUC181 XFGX
	PK000024GG		DRAWER PANEL-VUC181 XGGX
	PK000024LE		DRAWER PANEL-VUC181 XLEX
	PK000024LN		DRAWER PANEL-VUC181 XLNX
	PK000024MJ		DRAWER PANEL-VUC181 XMJX
	PK000024PL		DRAWER PANEL-VUC181 XPLX
	PK000024SG		DRAWER PANEL-VUC181 XSGX
	PK000024VB		DRAWER PANEL-VUC181 XVBX
	PK000024WH		DRAWER PANEL-VUC181 XWHX
4	PC110025		CONTAINER FRONT
5	PE030001		BRACKET, DOOR, HANDLE
	PE030001PVD		END CAP DOOR HANDLE XBR
6	F0002577SS		DRAWER HANDLE-VUC180 (S.S.)
	F0002577BR		DRAWER HANDLE VUC180 (BRASS)
7	PC110026		TOE PLATE
8	PC110027		TOE PLATE BRACKET
9	PC110028		RELIEF PLATE
10	PC110029		STORAGE COVER
11	PD020004		10X3/8PH.HD.TYPE 25 REPL PD040125
12	PC110005		LATCH HANDLE
13	PC110030		UPPER HANDLE BRACKET
14	PC120010		HANDLE HINGE
15	PC120011		LATCH ASSEMBLY
16	PC100036		LATCH SPRING-L.H.
	PC100037		LATCH SPRING-R.H.
18	SALES ITEM		WATER FILTER
20	PC100038		NO.10-32 NUT
21	PC100039		1/4-20 SCREW
22	PC100040		PIN
23	PD020004		10X3/8PH.HD.TYPE 25 REPL PD040125
24	PC100041		BAG RETAINER
26	PD010002		10-24 X 3/8 HEX W/HD M.S.
27	PD010009		NO.10-32 X 3/8 PH.TR.HD.
28	PC100042		LOCK NUT
29	PC100043		SUB TO PC100009 - PUSH NUT
30	PE010016		NAMEPLATE, LOGO, PRO
	PE010017		LOGO (VGSO,VEDO,VGDO,VUD) XWH/CHR
	PE010079		4.5 LOGO/VIKING PROF, BK/BR
	PE010080		4.5 LOGO/VIKING PROF XWH/BR



Ref #	Part Number	Qty.	Description
1	PC120001		MOTOR DRIVE
2	PC100019		DRIVE BELT
3	PC100020		DRIVEN SPROCKET
4	PC100001		1/4-20 X 2 SCREW
5	PC110001		TOP RAM
6	PC110002		BOTTOM RAM
7	PD020028		SCREW, DRIVE NO.8-18 X 1/2 PAN C.REC
8	PC100003		10-32 NUT
9	PC110003		TOP BRACE
10	PC100018		DRIVE CHAIN
11	PC100004		5/16-18 NUT
12	PC100005		WASHER
13	PC110004		UPPER RAM STOP
14	PC110007		SIDE PANEL-L.H.
	PC110008		SIDE PANEL-R.H.
	PC110009		REAR PANEL
15	PD010003		10-24 X 1/2 PH.TR.HD.SERD.M.S.
16	PC100021		POWER SCREW SPROCKET
17	PC100022		POWER SCREW
18	PD010006		HEX HD. BOLT - 1/4-20 X 1/2
19	PC110010		LOWER STOP RAM
20	PC100002		NUT
21	PC100006		NUT RETAINER
22	PC100007		NO.8 X 5/16 SCREW
23	PC100008		WASHER
24	PC100023		IDLER SPROCKET
25	PC100009		REPL PC100043 PUSH NUT
26	PC110011		IDLER PLATE
27	PC100010		BUSHING
28	PC110012		IDLER ARM-L.H.
	PC110013		IDLER ARM-R.H.
29	PC100011		CHAIN TENSION SPRING
30	PC100012		NO.10 X 12 SCREW
31	PC100013		WASHER
32	PC120002		DIRECTIONAL SWITCH
33	PD020025		SCREW, DRIVE NO.6-32 X 1 PAN C.REC.T
34	PC100014		WIRE RETAINER
35	PC100015		WIRING GROMMET
41	PC100024		TIMING PULLEY
42	PC110014		DEFLECTOR DEBRIS
43	PC100016		GEAR PIN



Ref #	Part Number	Qty.	Description
1	NOT REPLACEABLE		OVEN CAVITY (NOT REPLACEABLE PART)
2	PC120003		FAN MOTOR
3	PC120004		FAN BLADE
4	PD020025		SCREW, DRIVE NO.6-32 X 1 PAN C.REC.T
5	PC130001		AIR FILTER
6	PD010003		10-24 X 1/2 PH.TR.HD.SERD.M.S.
7	PC110015		FILTER HOUSING
8	PC130002		HOUSING GASKET
9	PC120005		RAM STOP SWITCH
10	PD010003		10-24 X 1/2 PH.TR.HD.SERD.M.S.
11	PD020025		SCREW, DRIVE NO.6-32 X 1 PAN C.REC.T
12	PC100029		DOOR BUMPER
13	PD030012		6-32 HEX NUT
14	PC120006		DRAWER SWITCH
15	PC110016		BLOCK
16	PC110017		BARRIER
17	PC110018		BRACKET
18	PD020004		10X3/8PH.HD.TYPE 25 REPL PD040125
19	PC130003		LEVELING FOOT
20	PC110019		FRAME COVER PLATE
21	PC100028		WASHER
22	PD020013		TYPE AB NO.6 X 3/8 PH PAN HD. SMS
23	PC110020		TOP FRONT PLATE
24	PC100026		BUSHING
25	PC100030		STRAIN RELIEF
26	PC100027		BUSHING
27	PC100025		SCREW
28	PC120007		DOOR STRIKE
29	PC100031		TRACK SPRING
30	PD010006		HEX HD. BOLT - 1/4-20 X 1/2
31	PD030008		HEX NUT
32	PC100032		WASHER
33	PC110021		TRACK RET.LH-RH (4162448) REPL PC110022
	PC110022		SUB TO PC110021 - (R.H. & L.H.)
34	PD010009		NO.10-32 X 3/8 PH.TR.HD.
35	PD030012		6-32 HEX NUT
36	PC130004		LITTER BIN
37	PC100017		RIVET
38	PD020013		TYPE AB NO.6 X 3/8 PH PAN HD. SMS
39	PC120008		LIMIT SWITCH
40	PC130005		BAFFLE
41	PD020029		DRIVE SRW - NO.4-40 X 3/4T(F)PN.HD.CR
42	PC100033		LOCK WASHER
43	PC100034		NUT
44	PC100035		CORD RETAINER
45	PC110023		MOTOR BRACKET