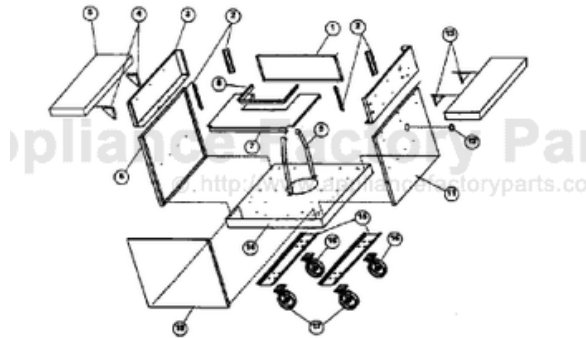


This Owner's Manual is provided and hosted by [Appliance Factory Parts](http://www.appliancefactoryparts.com).



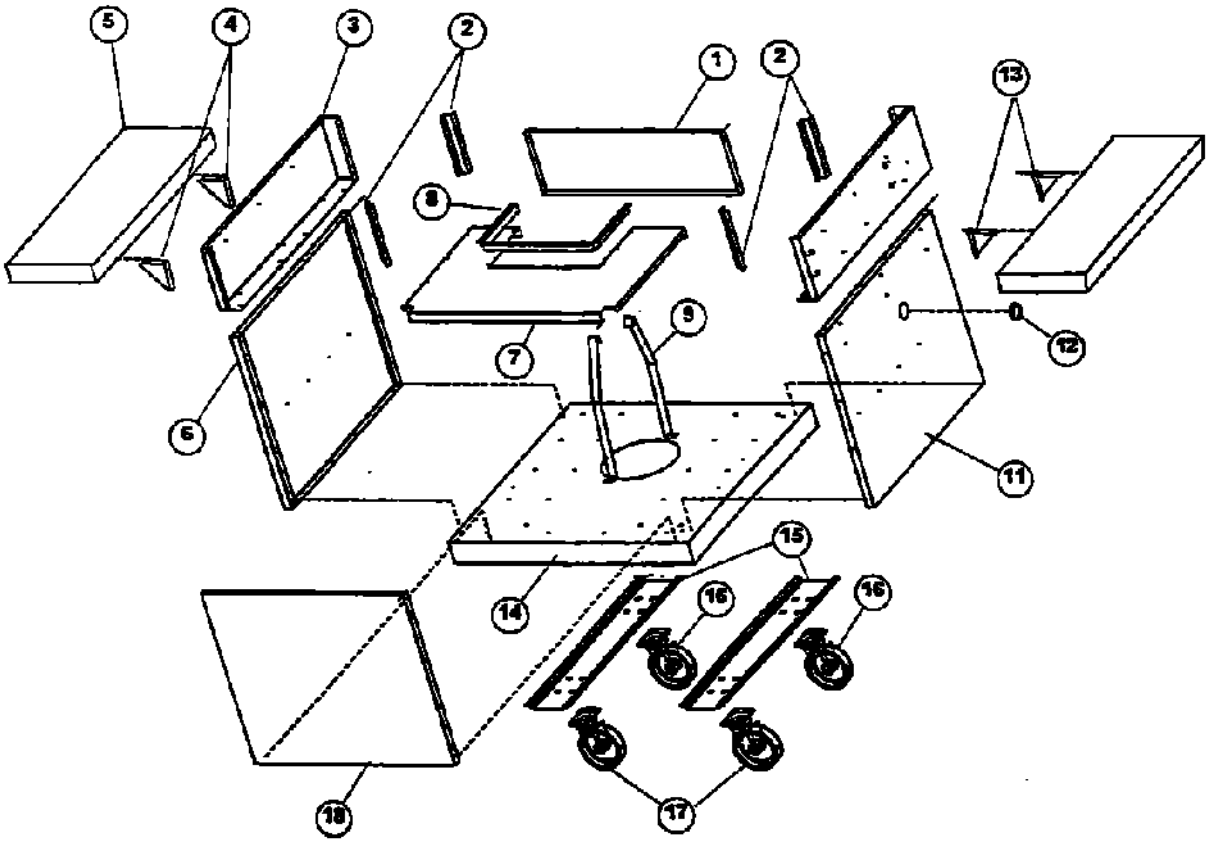
# VIKING SC30 Owner's Manual

[Shop genuine replacement parts for VIKING SC30](#)



[Find Your VIKING Grill Parts - Select From 210 Models](#)

----- Manual continues below -----



Ref #	Part Number	Qty.	Description
1	B2003294		BACK BRACE - 30 BBQ GRILL
2	B2004212		CART BRACKET (SC30SS)
3	B2003370		TOP CART SIDE-LH
4	B2003269		SHELF GUSSET LH (VGBQ)
5	B3003349		SIDE SHELF - 30BBQ
6	B2003796		CART SIDE LH
7	B2003371		I/S SHELF - 30(VGBQ)
8	B2003788		I/S CART SHELF BRACE
9	B2004202		L.P. TANK STRAP (VGBQ)
10	B2003369		TOP CART SIDE-RH
11	B2003291		CART SIDE RH-30 BBQ GRIL
12	PD040043		2 1/8 X 7/16 CART GROMMET (VGBQ)
13	B2003350		SHELF GUSSET RH (BBQ)
14	B3003290		CART BTM BBQ GRILL 30
15	B2003364		CASTER BRACE (BBQ)
16	PC030021		CASTER, FIXED
17	PC030020		CASTER, SWIVEL
18	B2003293		FRONT OF CART -30 BBQ GRILL
NI	PD030043		1/4-20 CAGE NUT SS
NI	PD020059		1/4-20 X 1/2 CAP SCREW SS