

This Owner's Manual is provided and hosted by [Appliance Factory Parts](#).



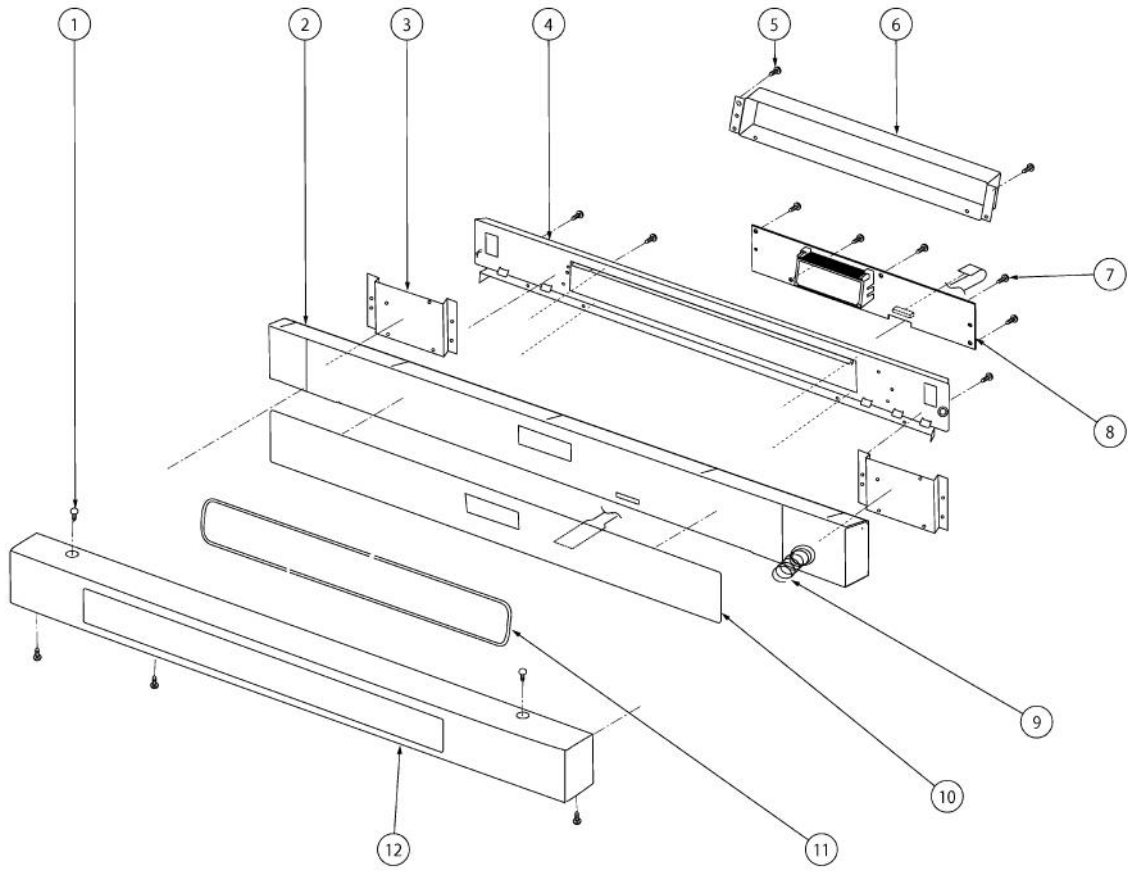
# VIKING DMOD241 Owner's Manual

[Shop genuine replacement parts for VIKING DMOD241](#)

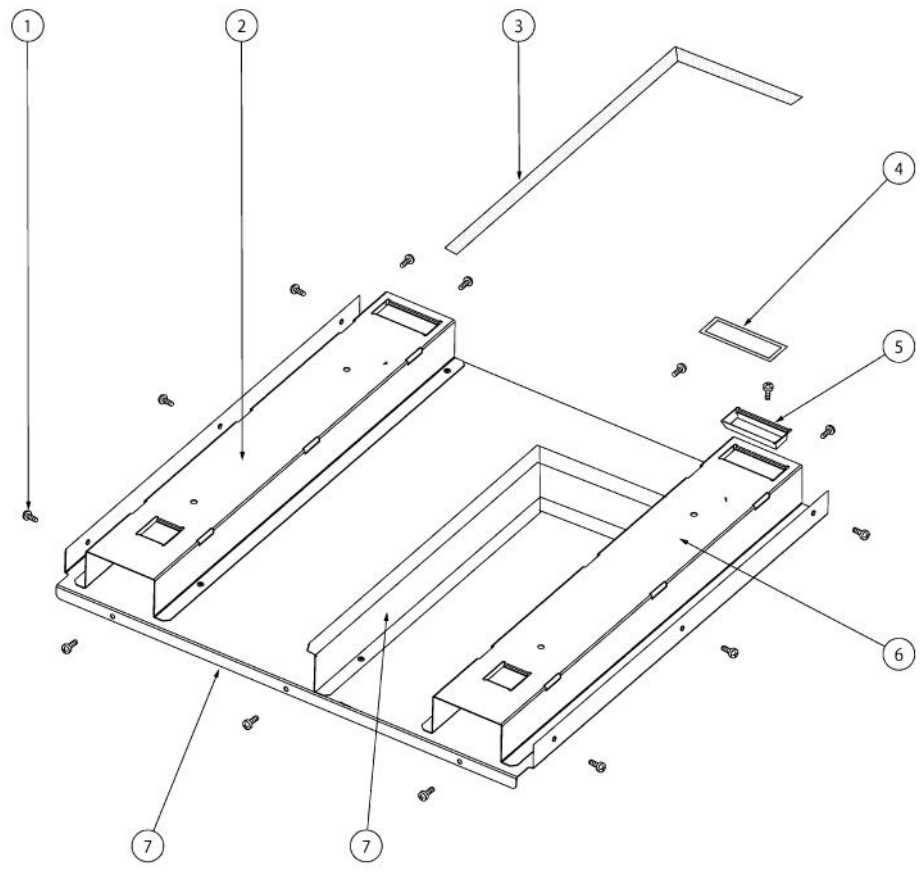


[Find Your VIKING Microwave Parts - Select From 37 Models](#)

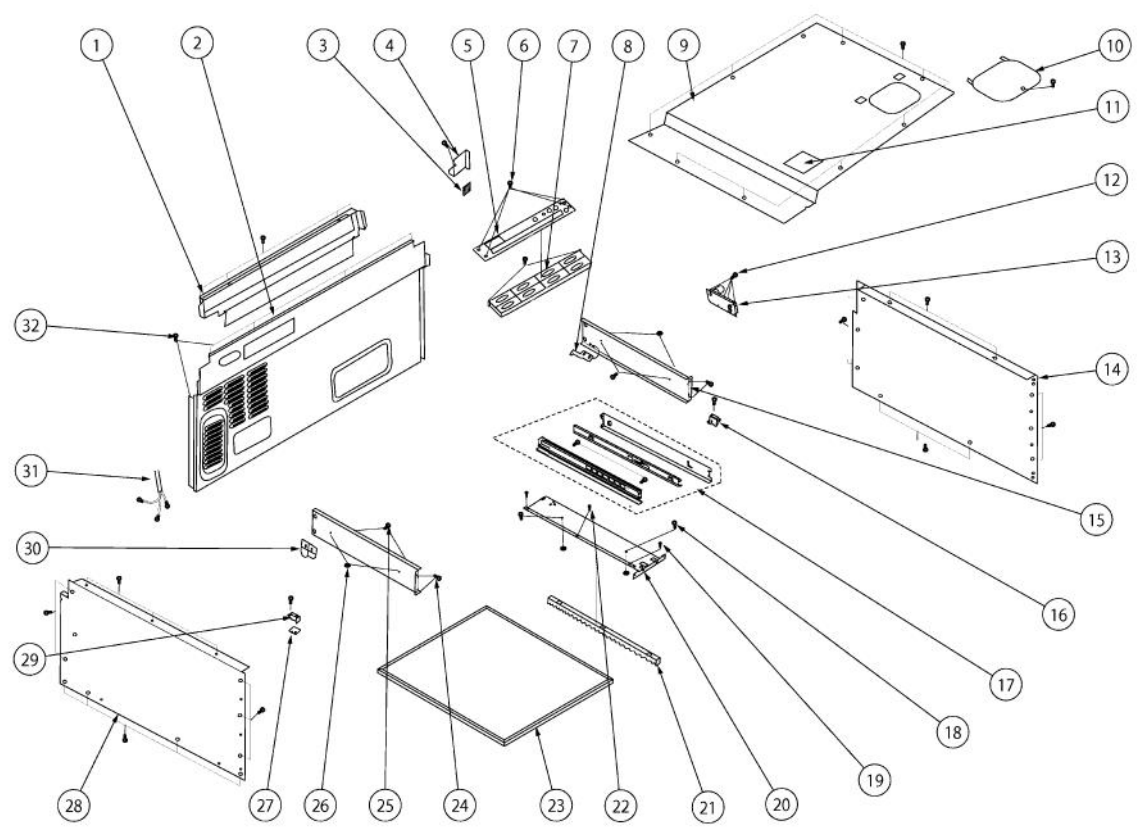
----- Manual continues below -----



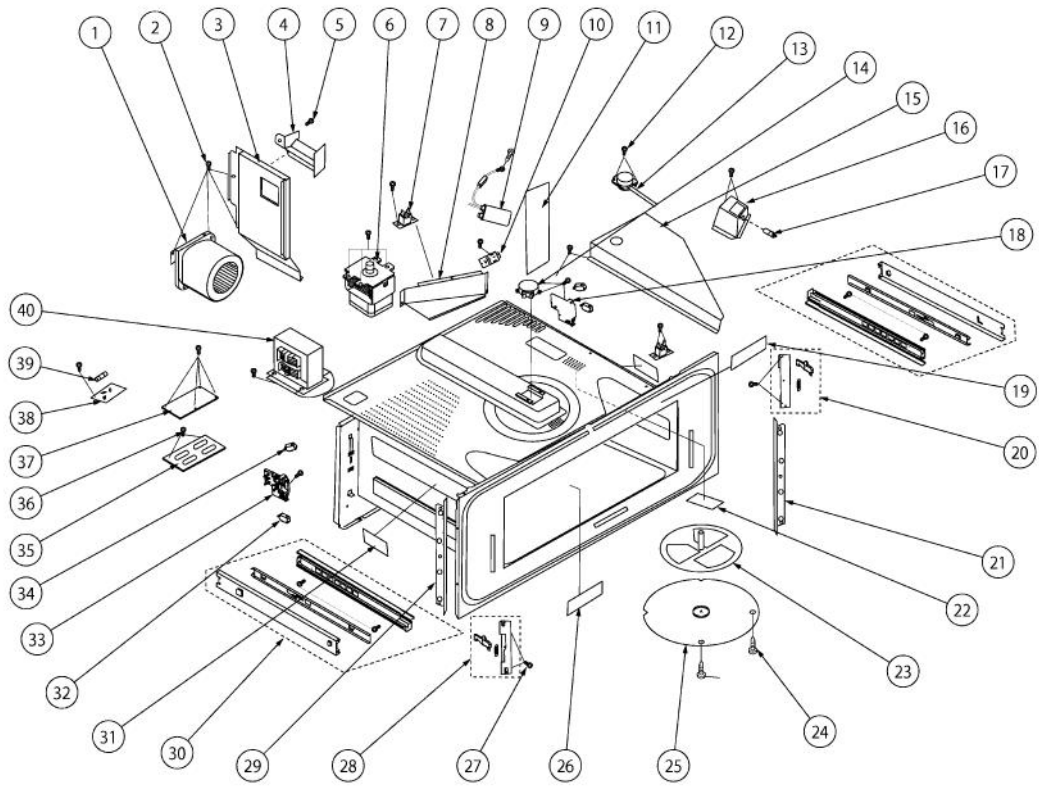
Ref #	Part Number	Qty.	Description
1	011855-000	5	DECO SCREW
2	011853-000	1	C/P FRAME ASSY
3	011851-000	2	CONTROL PANEL MOUNTING ANGLE
4	011847-000	1	CONTROL PANEL ANGLE
5	011843-000	8	SCREW : 4MM X 12MM
6	022320-000	1	SPRING CLIP, FIXING HEATING ELEMENT
7	011900-000	4	SCREW : 4MM X 8MM
8	011846-000	1	CONTROL UNIT
9	005165-000	1	HANDLE SPRING
10	011856-000	1	KEY UNIT
11	005142-000	2	CUSHION
12	011858-000	1	CONTROL PANEL DECO



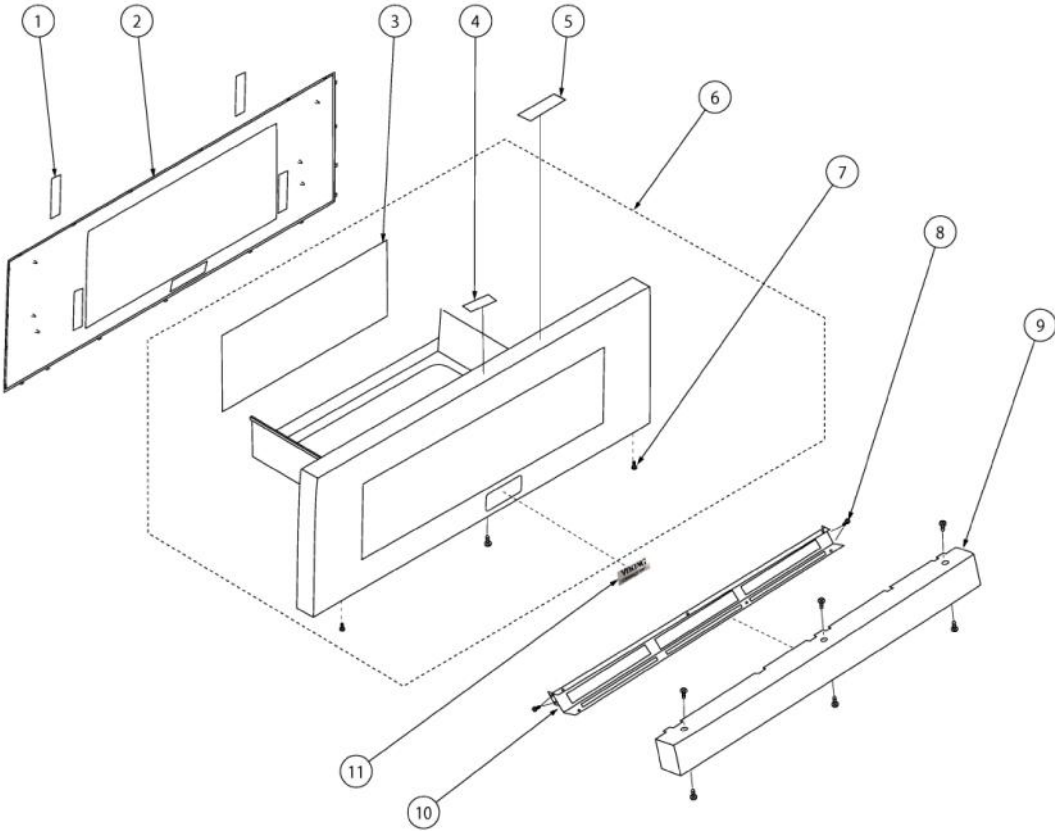
Ref #	Part Number	Qty.	Description
1	011843-000	14	SCREW : 4MM X 12MM
2	011882-000	1	AIR GUIDE - LH
3	011876-000	1	BOTTOM CUSHION A
4	011878-000	1	BOTTOM CUSHION B
5	011879-000	1	EXHAUST GUIDE
6	011880-000	1	AIR GUIDE - RH
7	011883-000	1	PARTITION ANGLE
8	011881-000	1	BOTTOM COVER



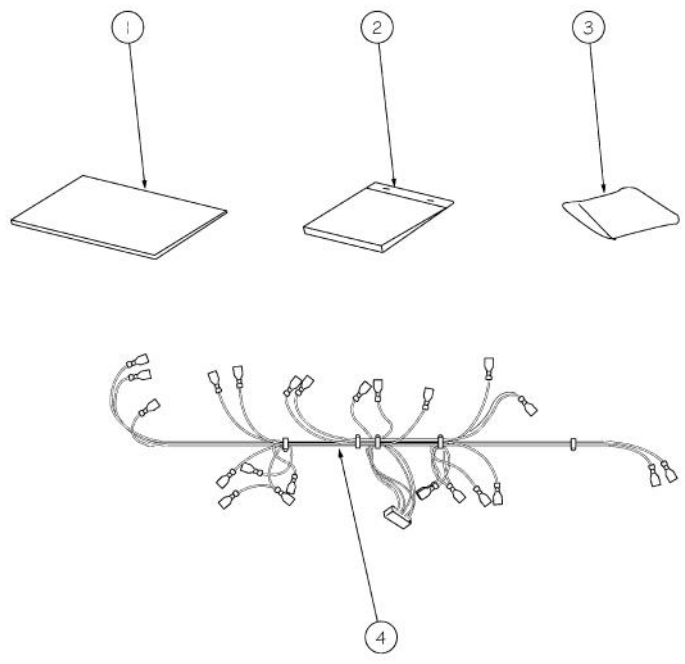
Ref #	Part Number	Qty.	Description
1	011867-000	1	EXHAUST DUCT A
2	011870-000	1	BACK PLATE
3	011869-000	1	CUSHION
4	011868-000	1	AIR COVER
5	011901-000	1	POWER SUPPLY
6	011900-000	1	SCREW : 4MM X 8MM
7	011871-000	1	SWITCH PSU HOLDER
8	012000-000	1	ACTUATOR R
9	011873-000	1	TOP COVER
10	011874-000	1	COVER
11	011872-000	1	SCHEMATIC
12	005228-000	4	SCREW : 4 MM X 8 MM
13	012013-000	1	LATCH, L
14	011875-000	1	SIDE CABINET - RH
15	011847-000	2	CONTROL PANEL ANGLE
16	011908-000	1	SWITCH ANGLE R
17	011996-000	1	SLIDE RAIL
18	011994-000	2	SCREW
19	PM120159	2	SCREW
20	012007-000	1	DOOR SUPPORT ANGLE B
21	012008-000	2	RACK GEAR
22	012006-000	1	SPECIAL SCREW
23	012010-000	1	OVEN TRAY ASSY
24	PM120146	2	SCREW : 4MM X 12MM
25	011866-000	2	SCREW : 4MM X 8MM
26	011999-000	6	CAP NUT
27	011909-000	2	SWITCH ANGLE L
28	011884-000	1	SIDE CABINET - LH
29	PM100019	5	INTERLOCK SWITCH
30	012011-000	1	ACTUATOR L
31	004703-000	1	POWER SUPPLY CORD
32	PM120146	18	SCREW : 4MM X 12MM



Ref #	Part Number	Qty.	Description
1	011889-000	1	FAN MOTOR
2	PM120146	13	SCREW : 4MM X 12MM
3	011968-000	1	FAN MOTOR ANGLE
4	011969-000	1	MAGNETRON AIR GUIDE
6	004835-000	1	MAGNETRON
7	011899-000	2	THERMAL CUT - OUT
8	011970-000	1	MAGNETRON DUCT
9	011902-000	1	HVC ASSY
10	011971-000	1	HVC BAND
11	011972-000	1	EXHAUST DUCT B
12	005228-000	2	SCREW : 4 MM X 8 MM
13	011905-000	1	SENSOR ASSY
14	011903-000	1	STIRRER MOTOR
15	011974-000	1	SENSOR DUCT
16	011973-000	1	OVEN LAMP ANGLE
17	011907-000	1	OVEN LAMP/SOCKET
18	011975-000	1	LATCH HOOK R
19	PM120021	1	USER CAUTION LABEL
20	011995-000	1	LATCH ANGLE ASSY R
21	012001-000	1	SIDE ANGLE R
22	012002-000	1	LAMP FILTER
23	012003-000	1	STIRRER FAN ASSY
24	012005-000	3	CANOE CLIP
25	012004-000	1	STIR COVER ASSY
26	012012-000	1	BIK LABEL
27	011904-000	4	SCREW / WASHER
28	012013-000	1	LATCH, L
29	012015-000	1	LATCH HOOK
30	011996-000	2	SLIDE RAIL
31	011992-000	2	MONITOR CAUTION LABEL
32	005209-000	1	USER CAUTION LABEL [ENGLISH]
33	011894-000	1	LATCH HOOK L
33	012016-000	1	SWITCH LEVER L
34	PM100019	1	INTERLOCK SWITCH
35	012017-000	1	POWER SUPPLY UNIT HOLDER
36	011900-000	2	SCREW : 4MM X 8MM
37	011892-000	2	POWER SUPPLY
38	012019-000	1	NOISE FILTER UNIT
39	011890-000	1	MONITOR SWITCH (V-16G-2C25) WITH FUSE (20A) ASSEMB...
40	011896-000	1	TRANSFORMER



Ref #	Part Number	Qty.	Description
1	012020-000	2	DOOR SUPPORT COVER
2	012021-000	1	CHOKE COVER
3	012022-000	1	SEALER FILM
4	012023-000	1	MENU LABEL
5	005209-000	1	USER CAUTION LABEL [ENGLISH]
6	012025-000	1	DOOR ASSY
7	011855-000	9	DECO SCREW
8	PM120146	2	SCREW : 4MM X 12MM
9	012029-000	1	LOUVER
10	012027-000	1	LOUVER ANGLE
11	012026-000	1	BADGE



Ref #	Part Number	Qty.	Description
1	PM120071	1	OPERATION MANUAL
2	022178-000	1	INSTALLATION INSTRUCTIONS
3	005210-000	4	SCREW: 4MM X 8MM
4	011910-000	1	HARNESS ASSY