

This Owner's Manual is provided and hosted by [Appliance Factory Parts](#).



VIKING RVMH330 Owner's Manual

[Shop genuine replacement parts for VIKING RVMH330](#)



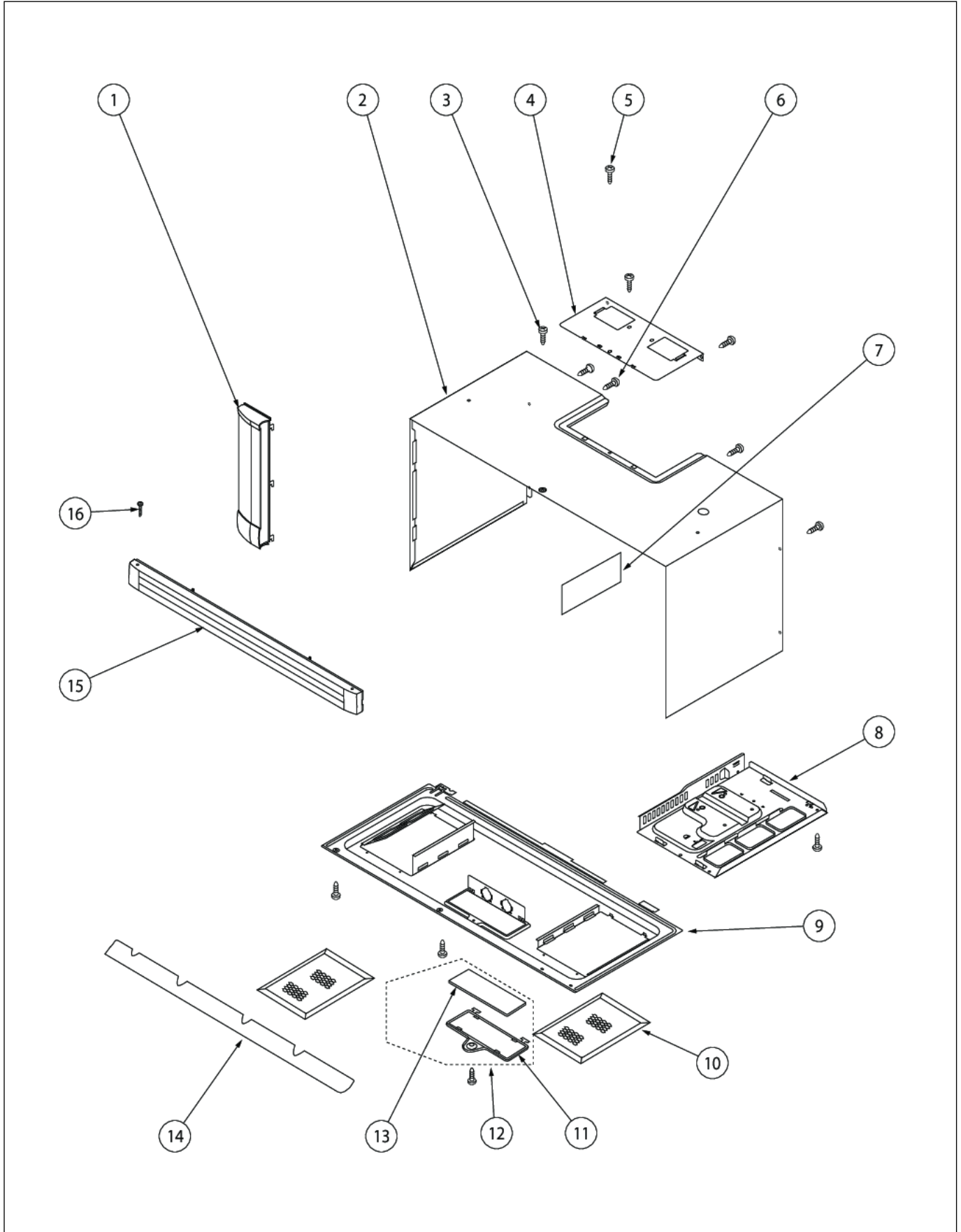
[Find Your VIKING Microwave Parts - Select From 37 Models](#)

----- Manual continues below -----

RVMH330

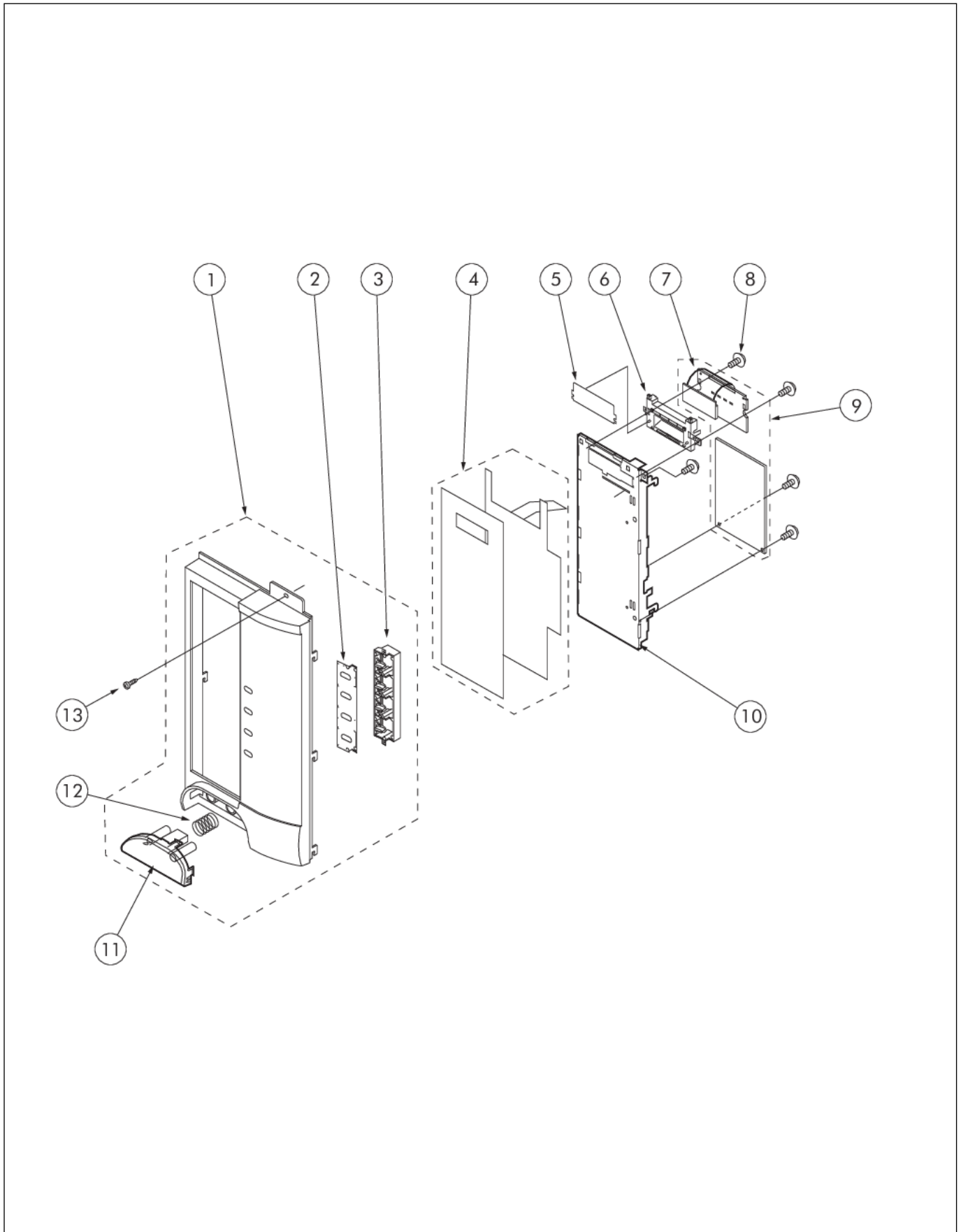
CABINET AREA	1
CONTROL PANEL AREA	2
DOOR ASSEMBLY	3
ELECTRIC COMPONENTS	4
MISC	5
OVEN CAVITY AREA	6
Appendix A:Pages Index	A
Appendix B:Parts Index	B

CABINET AREA



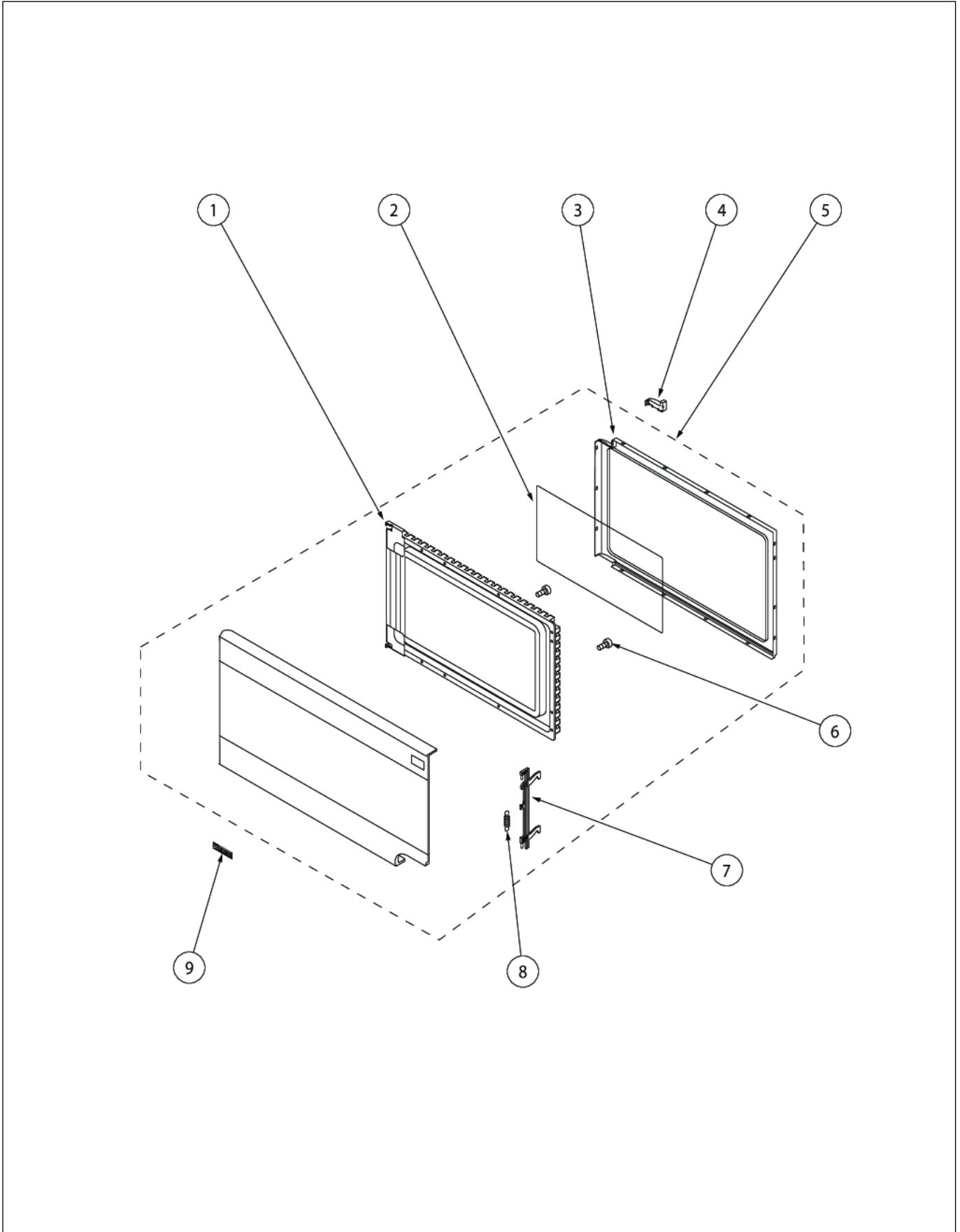
Item	Part No.	Name	Qty	Uom	NOTES
1	022217-000	FRONT PANEL L	1	EA	
2	022197-000	OUTER CASE CABINET	1	EA	
3	PM120146	SCREW : 4MM X 12MM	9	EA	
4	022218-000	REAR STAY	1	EA	
5	022219-000	SCREW : 5MM X 35MM	1	EA	
6	PM120003	SCREW	1	EA	NO LONGER AVAILABLE
7	022220-000	SCHEMATIC DIAGRAM	1	EA	
8	022221-000	BASE PLATE R	1	EA	
9	022222-000	BASE COVER	1	EA	
10	022223-000	GREASE FILTER	2	EA	
11	022224-000	HOOD LAMP GLASS ANGLE	1	EA	
12	PM110070	Hood Lamp Glass Assembly	1	EA	
13	022226-000	HOOD LAMP GLASS	1	EA	
14	050588-000	DEFLECTOR	1	EA	
15	022228-000	HOOD EXHAUST LOUVER	1	EA	
16	022229-000	SPECIAL SCREW	1	EA	
NI	052951-000	End Cap, Holder, Right	1	EA	
NI	052950-000	End Cap, Holder, Left	1	EA	

CONTROL PANEL AREA



Item	Part No.	Name	Qty	Uom	NOTES
1	022257-000	CONTROL PANEL ASSEMBLY	1	EA	
2	022258-000	SELECT BUTTON RUBBER	1	EA	
3	022259-000	SELECT BUTTON	1	EA	
4	022149-000	KEY UNIT	1	EA	
5	022260-000	LED SHEET	1	EA	
6	022261-000	LCD HOLDER	1	EA	
7	022262-000	SCREW; 3MM X 10MM	5	EA	
9	022150-000	CONTROL UNIT	1	EA	
10	022263-000	KEY FIXING ANGLE	1	EA	
11	022264-000	OPEN BUTTON	1	EA	
<p>Comments for Part Num. 022264-000</p> <p>bradleysapplianceservice@shaw.ca on Dec 9, 2015</p> <p>Double check with the supplier before ordering this part.</p> <p>The part number 022264-000 DOOR OPEN BUTTON is coming with the 022259-000 SELECTOR BUTTON in the bag.</p>					
12	PM120044	OPEN BUTTON SPRING	1	EA	
13	PM120146	SCREW : 4MM X 12MM	1	EA	

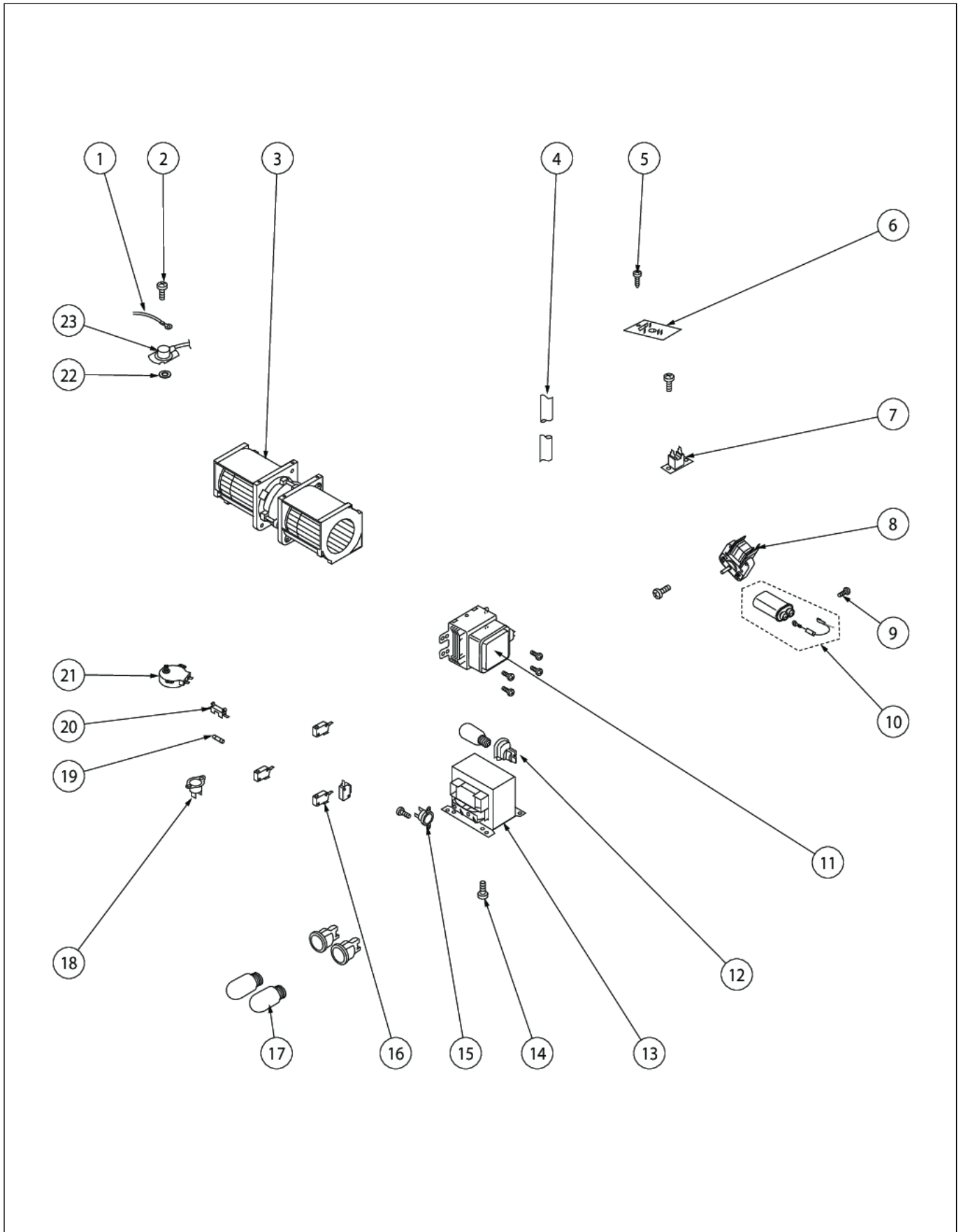
DOOR ASSEMBLY





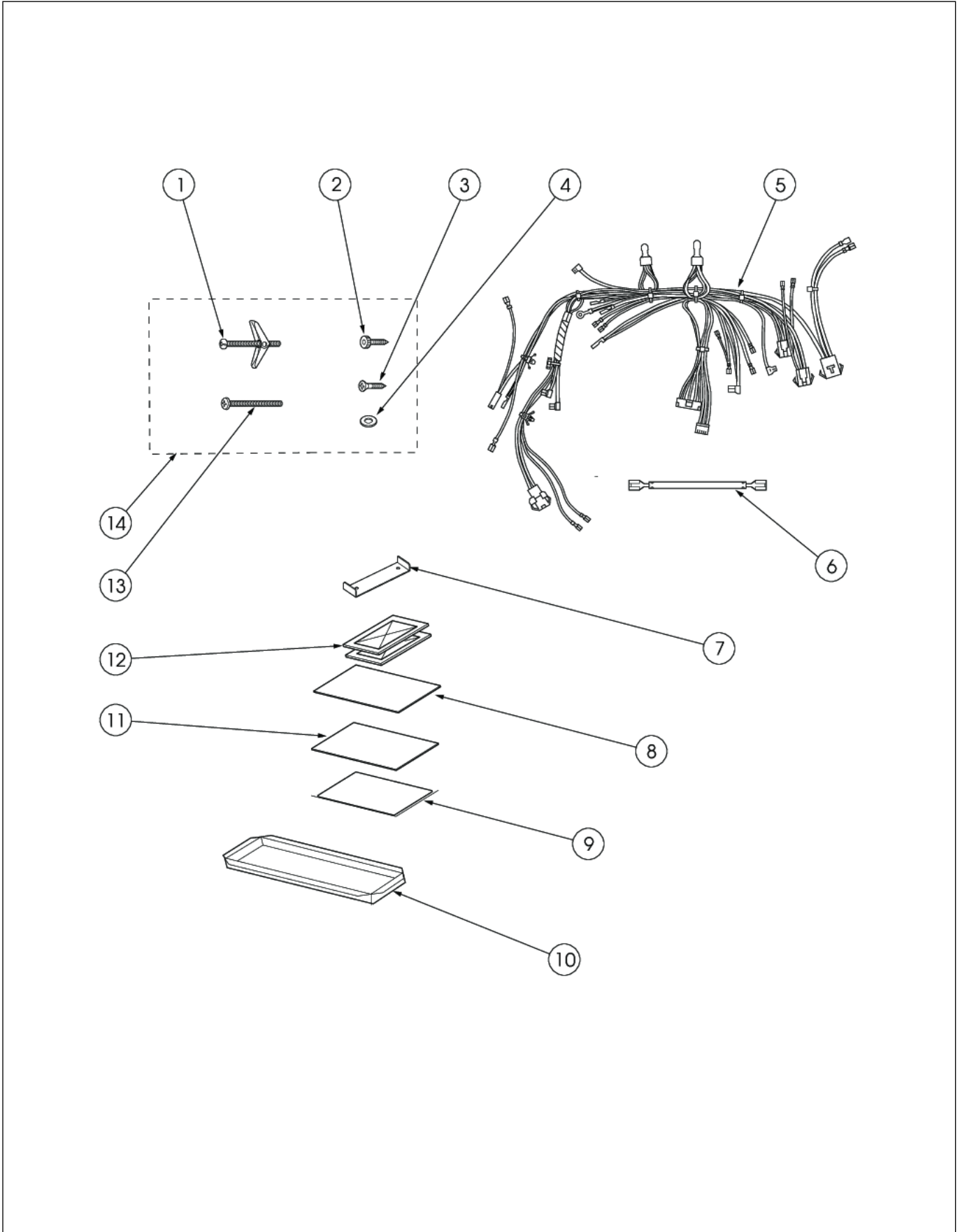
Item	Part No.	Name	Qty	Uom	NOTES
1	022266-000	DOOR PANEL ASSEMBLY	1	EA	
2	PM120016	SEALER FILM	1	EA	
3	022268-000	CHOKE COVER	1	EA	
4	022269-000	DOOR STOPPER	1	EA	
5	022270-000	DOOR ASSEMBLY	1	EA	
6	022269-000	DOOR STOPPER	2	EA	
7	022272-000	LATCH HEAD	1	EA	
8	PM120007	LATCH SPRING	1	EA	
9	041991-000	NAMEPLATE, VIKING, 2.750	1	EA	

ELECTRIC COMPONENTS



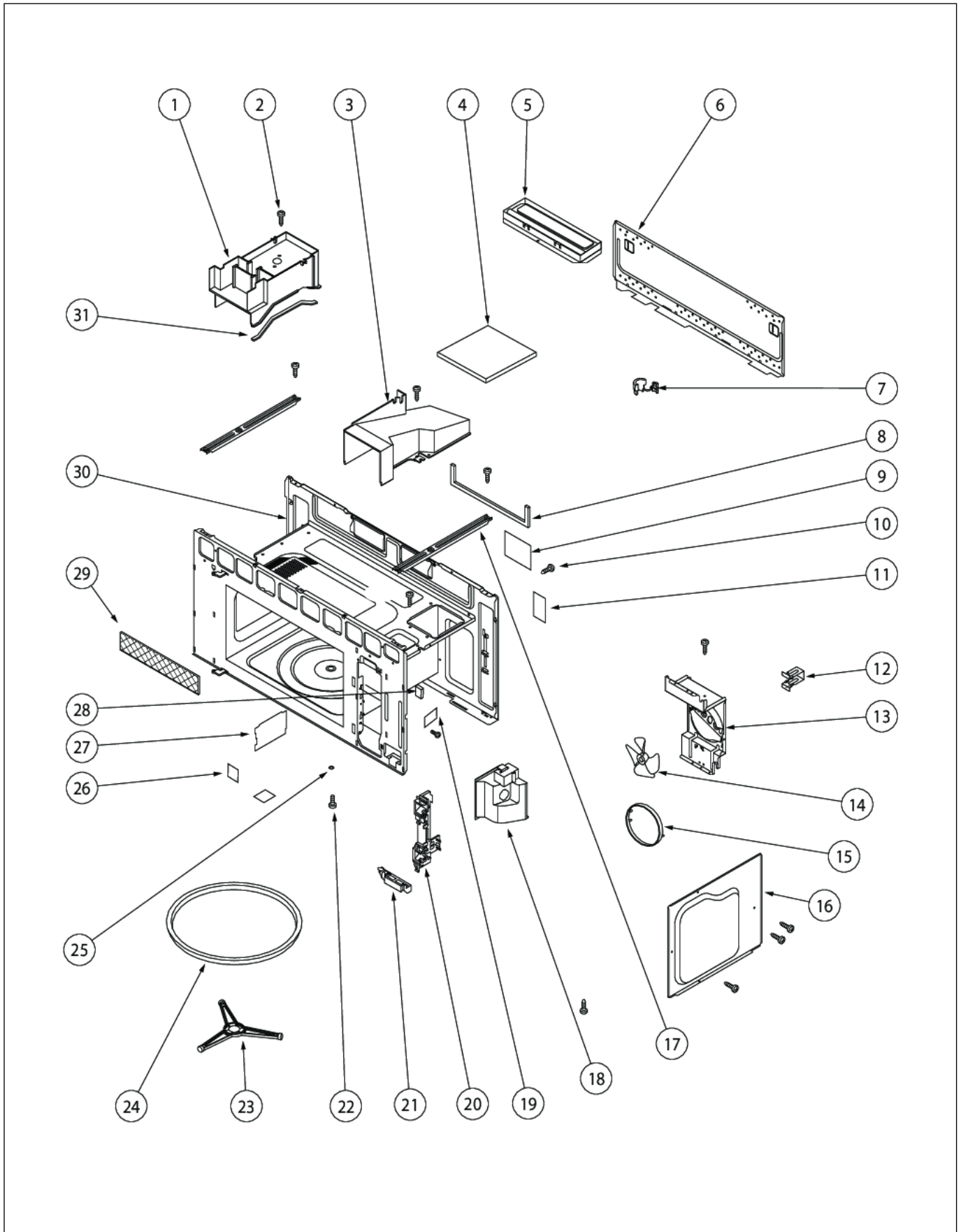
Item	Part No.	Name	Qty	Uom	NOTES
1	022198-000	SENSOR GROUND WIRE	1	EA	
2	019111-000	SCREW	2	EA	
3	022200-000	HOOD FAN MOTOR	1	EA	
4	PM100076	Power Supply Cord	1	EA	
5	PM120148	SCREW : 3MM X 14MM	2	EA	NO LONGER AVAILABLE, Not available online / Call for pricing and availability
6	PM100085	NOISE FILTER	1	EA	
7	PM100016	OVEN TEMP FUSE	1	EA	
8	022204-000	FAN MOTOR	1	EA	
9	PM120002	SPECIAL SCREW	5	EA	
10	022206-000	HIGH VOLTAGE RECTIFIER ASSEMBLY	1	EA	
11	PM100073	Magnetron	1	EA	
12	PM100018	LAMP SOCKET	3	EA	
13	022209-000	POWER TRANSFORMER	1	EA	
14	PM120146	SCREW : 4MM X 12MM	1	EA	
15	PM100071	THERMAL CUTOUT N.O. 60o C	1	EA	
16	PM100019	INTERLOCK SWITCH	3	EA	
17	PM100081	Hood / Oven Lamp	3	EA	
18	022212-000	THERMAL CUT-OUT 145OC (CAVITY)	1	EA	
19	PM100075	Monitor and Scodary Interlock Switch	1	EA	
20	PM100074	Fuse Holder	1	EA	
21	PM100069	TURNTABLE MOTOR	1	EA	
22	022215-000	WASHER	1	EA	Not available online / Call for pricing and availability
23	022216-000	AH SENSOR	1	EA	

MISC

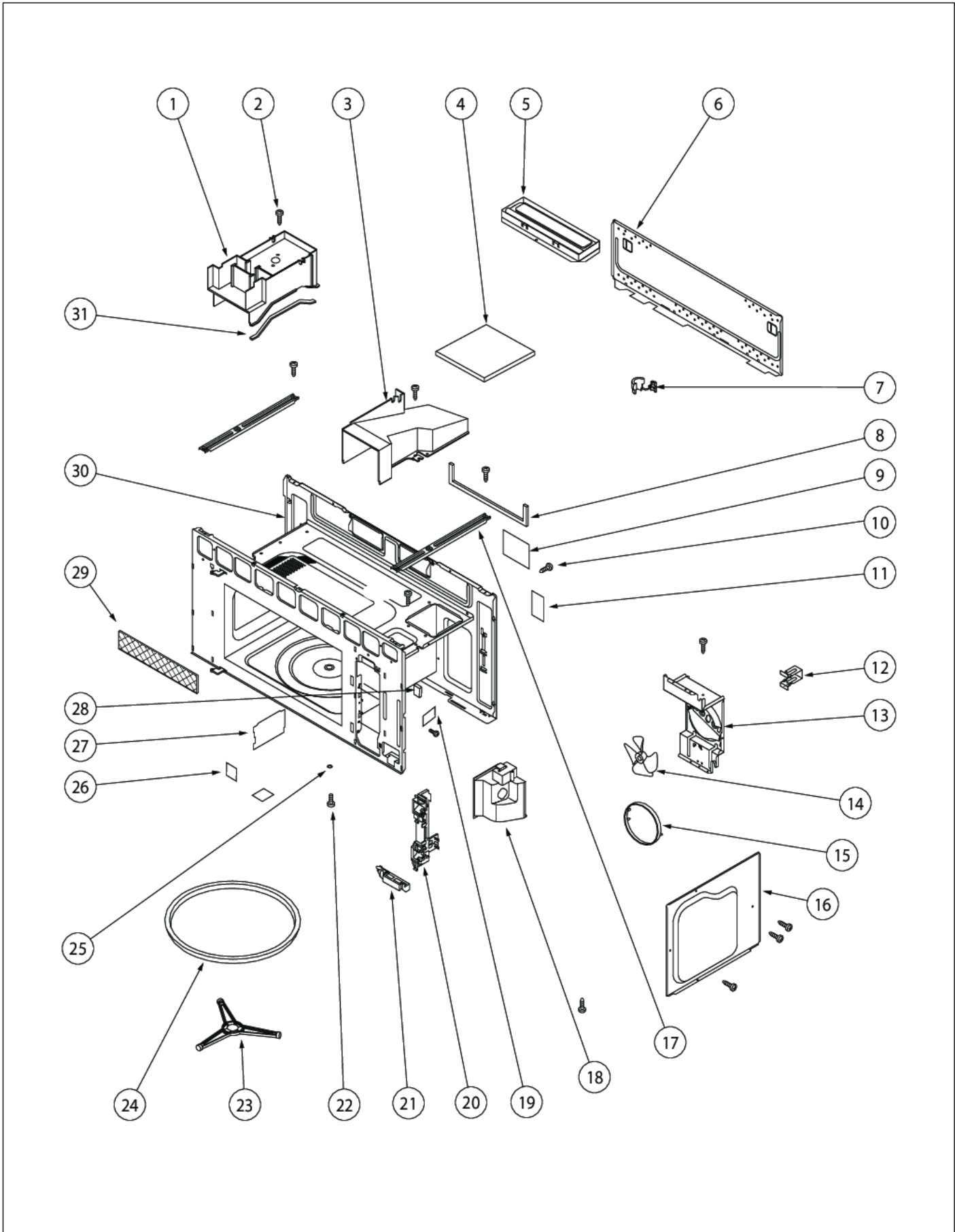


Item	Part No.	Name	Qty	Uom	NOTES
1	PM120137	Toggle Screw (LX-BZ0195WRE0)	1	EA	NO LONGER AVAILABLE
2	PM120146	SCREW : 4MM X 12MM	1	EA	
3	022276-000	SCREW : 5MM X 35MM	1	EA	Not available online / Call for pricing and availability
4	022277-000	WASHER	1	EA	
5	022278-000	MAIN HARNESS	1	EA	
6	022279-000	HIGH VOLTAGE WIRE A	1	EA	
7	022280-000	SCALE PLATE	1	EA	
8	022281-000	TOP/WALL TEMPLATE	1	EA	
9	022282-000	INSTALLATION INSTRUCTIONS	1	EA	Not available online / Call for pricing and availability
10	022284-000	EXHAUST DAMPER ASSEMBLY	1	EA	
11	022283-000	OPERATION MANUAL	1	EA	Not available online / Call for pricing and availability
12	022223-000	GREASE FILTER	2	EA	
13	020898-000	SCREW W. 55MM X 85MM	1	EA	
14	022287-000	INSTALLATION MATERIAL ASSEMBLY	1	EA	

OVEN CAVITY AREA



Item	Part No.	Name	Qty	Uom	NOTES
1	022230-000	HOOD DUCT L	1	EA	
2	PM120146	SCREW : 4MM X 12MM	10	EA	
3	022231-000	HOOD DUCT R	1	EA	
4	022232-000	CUSHION	1	EA	
5	022233-000	EXHAUST DAMPER ASSEMBLY	1	EA	
6	022234-000	UNIT MOUNTING PLATE ASSEMBLY	1	EA	
7	PM100097	CORD BUSHING	1	EA	
8	022236-000	CUSHION (ONLY FOR HORIZONTAL VENTING)	1	EA	
9	022237-000	NHW CAUTION LABEL	1	EA	Not available online / Call for pricing and availability
10	PM120003	SCREW	2	EA	NO LONGER AVAILABLE
11	005196-000	GND CAUTION LABEL	1	EA	NO LONGER AVAILABLE, Not available online / Call for pricing and availability
12	022238-000	CAPACITOR HOLDER	1	EA	
13	022239-000	FAN DUCT	1	EA	
14	PM110018	FAN BLADE	1	EA	
15	022241-000	ORIFICE	1	EA	
16	022242-000	HOOD INTAKE DUCT R	1	EA	
17	020897-000	CHASSIS SUPPORT	2	EA	
18	022244-000	MAGNETRON DUCT	1	EA	
19	PM120034	MONITOR CAUTION LABEL	1	EA	
20	057735-000	LATCH HOOK	1	EA	
21	PM120006	SWITCH LEVER	1	EA	
22	022247-000	SCREW : 4MM X 8MM	1	EA	Not available online / Call for pricing and availability
23	PM110006	TURNTABLE SUPPORT	1	EA	
24	022249-000	TURNTABLE TRAY	1	EA	
25	PM120015	TURNTABLE MOTOR PACKING	1	EA	



Item	Part No.	Name	Qty	Uom	NOTES
26	022251-000	DHHS SERVICE CAUTION LABEL	2	EA	Not available online / Call for pricing and availability
27	PM110020	WAVEGUIDE COVER	1	EA	
28	022253-000	CUSHION	1	EA	
29	022254-000	CHARCOAL FILTER	1	EA	
30	022255-000	TOP HINGE ADAPTER, R.H. DOOR	1	EA	
31	022256-000	CUSHION	1	EA	



Appendix A:Pages Index

CABINET AREA 1
CONTROL PANEL AREA 2
DOOR ASSEMBLY 3
ELECTRIC COMPONENTS 4
MISC 5
OVEN CAVITY AREA 6



Appendix B:Parts Index

005196-000	6	022251-000	6
019111-000	4	022253-000	6
020897-000	6	022254-000	6
020898-000	5	022255-000	6
022149-000	2	022256-000	6
022150-000	2	022257-000	2
022197-000	1	022258-000	2
022198-000	4	022259-000	2
022200-000	4	022260-000	2
022204-000	4	022261-000	2
022206-000	4	022262-000	2
022209-000	4	022263-000	2
022212-000	4	022264-000	2
022215-000	4	022266-000	3
022216-000	4	022268-000	3
022217-000	1	022269-000	3, 3
022218-000	1	022270-000	3
022219-000	1	022272-000	3
022220-000	1	022276-000	5
022221-000	1	022277-000	5
022222-000	1	022278-000	5
022223-000	1, 5	022279-000	5
022224-000	1	022280-000	5
022226-000	1	022281-000	5
022228-000	1	022282-000	5
022229-000	1	022283-000	5
022230-000	6	022284-000	5
022231-000	6	022287-000	5
022232-000	6	041991-000	3
022233-000	6	050588-000	1
022234-000	6	052950-000	1
022236-000	6	052951-000	1
022237-000	6	057735-000	6
022238-000	6	PM100016	4
022239-000	6	PM100018	4
022241-000	6	PM100019	4
022242-000	6	PM100069	4
022244-000	6	PM100071	4
022247-000	6	PM100073	4
022249-000	6	PM100074	4
		PM100075	4



PM100076 4
PM100081 4
PM100085 4
PM100097 6
PM110006 6
PM110018 6
PM110020 6
PM110070 1
PM120002 4
PM120003 1, 6
PM120006 6
PM120007 3
PM120015 6
PM120016 3
PM120034 6
PM120044 2
PM120137 5
PM120146 1, 2, 4, 5, 6
PM120148 4