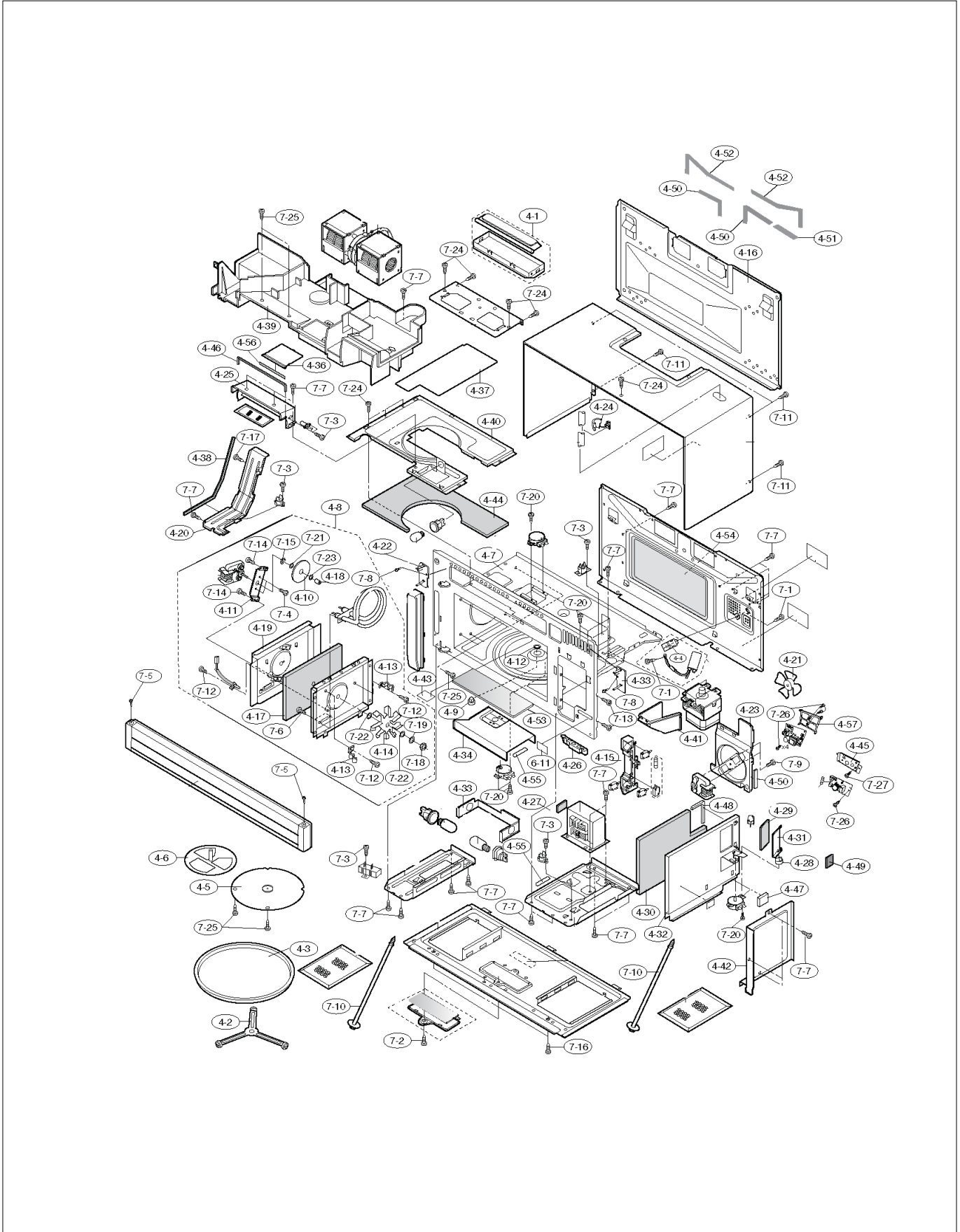


RVMHC330SSY

Convection Microwave Hood

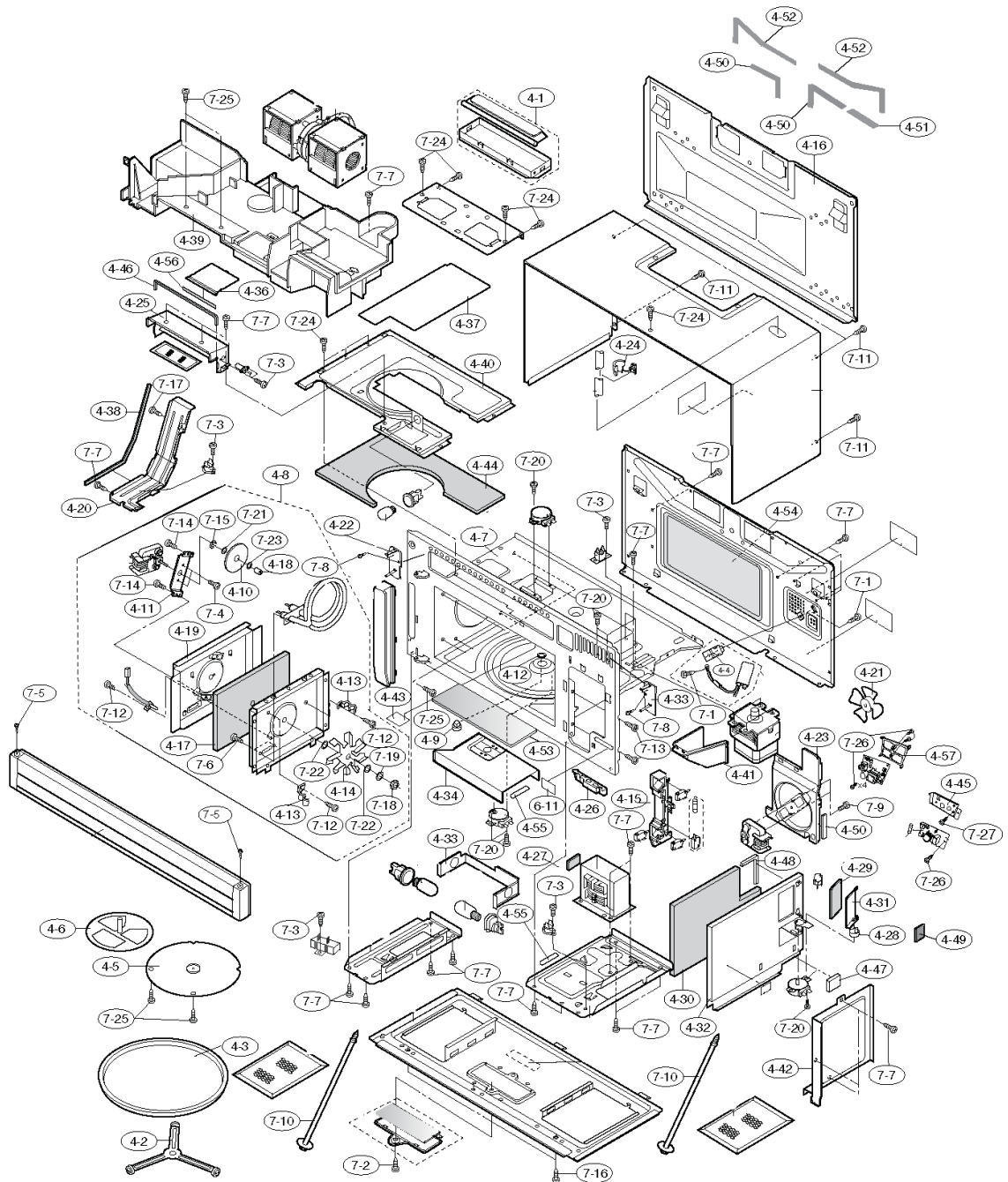
RVMHC330SSY Oven Parts	1
RVMHC330SSY Electric Parts	2
RVMHC330SSY Cabinet Parts	3
RVMHC330SSY Control Panel Parts	4
RVMHC330SSY Door Parts	5
RVMHC330SSY Accessories	6
RVMHC330SSY Miscellaneous	7
Appendix A:Pages Index	A
Appendix B:Parts Index	B

RVMHC330SSY Oven Parts

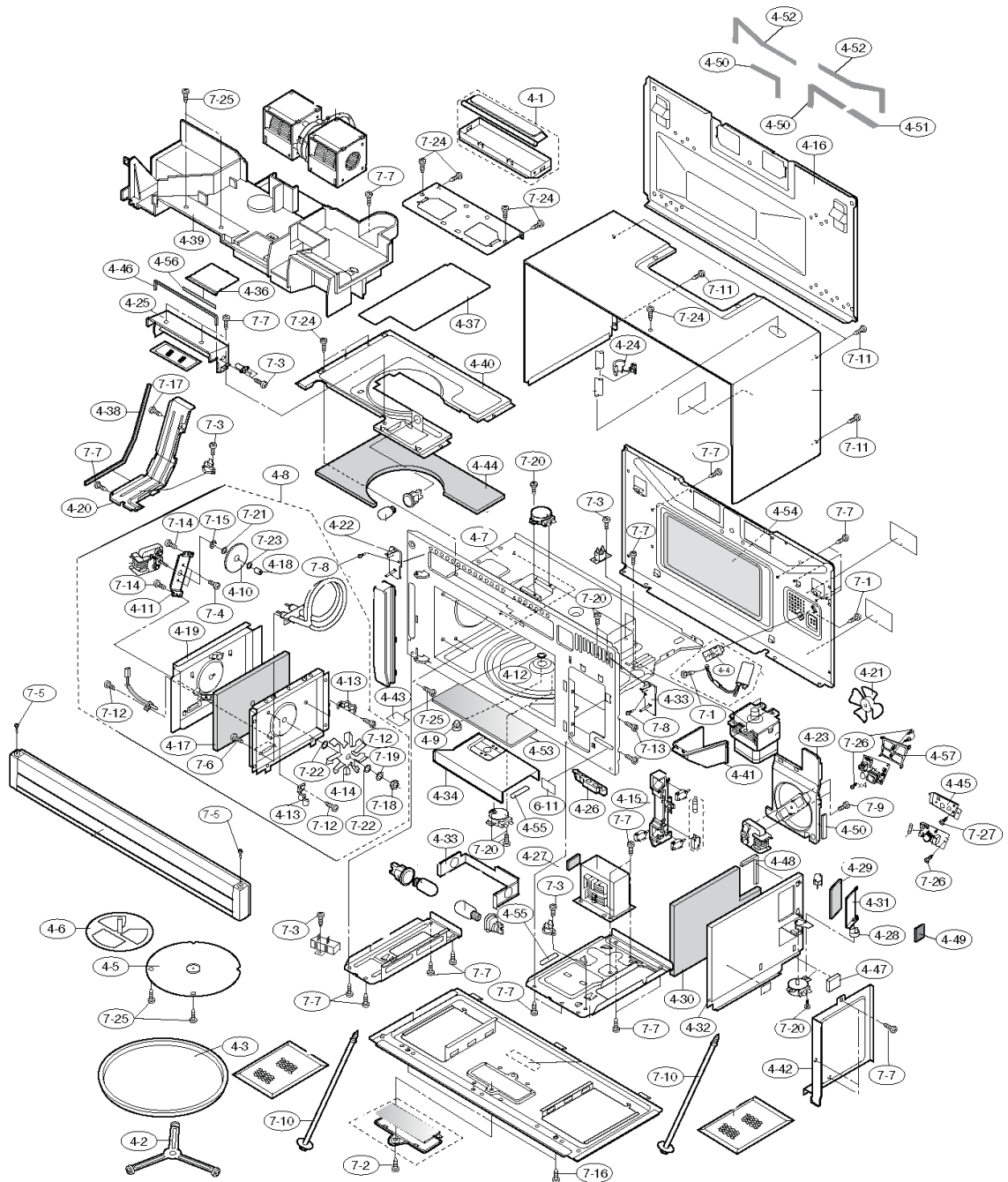




Item	Part No.	Name	Qty	Uom	NOTES
1	063817-000	CUSHION	1	EA	
2	063815-000	CUSHION	1	EA	
3	063816-000	CUSHION	1	EA	
4	063788-000	UNIT MOUNTING PLATE	1	EA	
5	PM120004	SPECIAL SCREW	4	EA	
6	PM120159	SCREW	9	EA	
7	062590-000	CORD BUSHING	1	EA	
8	PM120106	Exhaust Damper Assembly (FFTA-B004MRK0)	1	EA	
9	PM120146	SCREW : 4MM X 12MM	32	EA	
10	PM120076	SCREW; 4MM X 10MM	10	EA	NO LONGER AVAILABLE
11	063805-000	HOOD EXHAUST DUCT	1	EA	
12	065014-000	CUSHION	1	EA	
13	063802-000	OVEN LAMP COVER	1	EA	
14	PM120143	Screw, 3mm X 8mm	4	EA	NO LONGER AVAILABLE, Not available online / Call for pricing and availability
15	065014-000	CUSHION	1	EA	
16	063792-000	EXHAUST DUCT	1	EA	
17	022451-000	SCREW : 4MM X 8MM	1	EA	
18	063804-000	CUSHION	1	EA	
19	063789-000	HOOD INTAKE DUCT L	1	EA	
20	063787-000	CONVECTION HEATER UNIT	1	EA	
21	063803-000	HEAT PROTECT TOP SHEET	1	EA	
22	063806-000	TOP DUCT	1	EA	
23	063809-000	HEAT PROTECT TOP	1	EA	
24	PM120002	SPECIAL SCREW	9	EA	
25	PM120151	Screw, 4mm X 8mm	2	EA	NO LONGER AVAILABLE
26	PM120152	E-Ring	1	EA	NO LONGER AVAILABLE, Not available online / Call for pricing and availability



Item	Part No.	Name	Qty	Uom	NOTES
27	PM120155	Spring Washer	1	EA	NO LONGER AVAILABLE, Not available online / Call for pricing and availability
28	PM120158	Washer, 5mm X 0.8mm	1	EA	NO LONGER AVAILABLE, Not available online / Call for pricing and availability
29	PM110081	COLLER	1	EA	
30	PM100093	CONVECTION MOTOR FAN	1	EA	
31	PM120144	Screw, 3mm X 6mm	2	EA	NO LONGER AVAILABLE
32	PM120150	Screw, 3mm X 6mm	5	EA	NO LONGER AVAILABLE, Not available online / Call for pricing and availability
33	PM100094	CONVECTION MOTOR ANGLE	1	EA	NO LONGER AVAILABLE, Not available online / Call for pricing and availability
34	PM110082	Heater Cover - Left	1	EA	
35	PM110080	Heat Protector - Left	1	EA	NO LONGER AVAILABLE, Not available online / Call for pricing and availability
36	PM120145	Screw, 4mm X 6mm	2	EA	NO LONGER AVAILABLE, Not available online / Call for pricing and availability
37	022467-000	HEATER MOUNTING HOLDER	2	EA	
38	PM120157	Washer, 4mm X 0.8mm	1	EA	NO LONGER AVAILABLE, Not available online / Call for pricing and availability
39	PM120156	Washer, 5mm X 2mm	2	EA	NO LONGER AVAILABLE, Not available online / Call for pricing and availability
40	PM100096	Convection Fan	1	EA	
41	PM120154	Nut, 4mm X 3.2mm	1	EA	NO LONGER AVAILABLE
42	PM120147	SCREW (LX-CZB020MRE0)	2	EA	



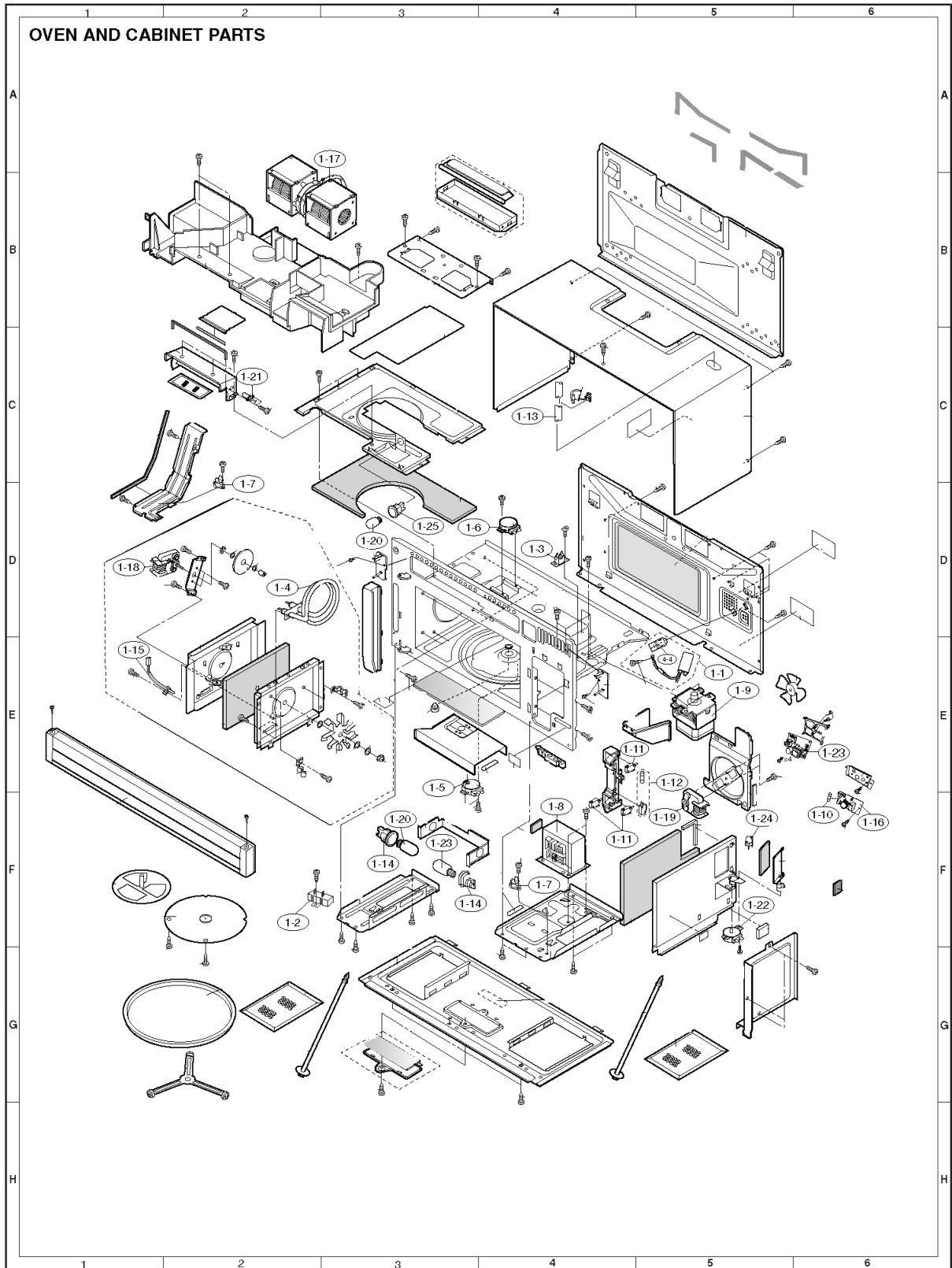
Item	Part No.	Name	Qty	Uom	NOTES
43	022447-000	END CAP HOLDER L	1	EA	
44	N/A	OVEN CAVITY (NOT REPLACEABLE)	1	EA	
45	PM110089	Oven Light Screen	1	EA	
46	PM100092	COUPLING	1	EA	
47	063801-000	THERMAL COVER BOTTOM	1	EA	
48	022306-000	SILCON PACKING	1	EA	
49	063818-000	HEAT PROTECT BOTTOM	1	EA	
50	005196-000	GND CAUTION LABEL	1	EA	NO LONGER AVAILABLE, Not available online / Call for pricing and availability
51	063820-000	CAVITY CUSHION	2	EA	
52	063794-000	CUSHION	1	EA	
53	063800-000	END CAP HOLDER R	1	EA	
54	063793-000	OPEN LEVER	1	EA	
55	057735-000	LATCH HOOK	1	EA	
56	PM120003	SCREW	2	EA	NO LONGER AVAILABLE
57	PM120141	Screw, 4mm X 8mm	1	EA	NO LONGER AVAILABLE, Not available online / Call for pricing and availability
58	063785-000	CAPACITOR HOLDER	1	EA	
59	063807-000	MAGNETRON DUCT	1	EA	
60	063819-000	HEATER PROTECT REAR	1	EA	
61	063791-000	FAN DUCT	1	EA	
62	063790-000	FAN BLADE	1	EA	
63	022262-000	SCREW; 3MM X 10MM	7	EA	
64	063822-000	PWB HOLDER	1	EA	
65	063810-000	NOISE FILTER ANGLE	1	EA	
66	PM120148	SCREW : 3MM X 14MM	2	EA	NO LONGER AVAILABLE, Not available online / Call for pricing and availability
67	063813-000	CUSHION	1	EA	
68	028721-000	SCREW	1	EA	



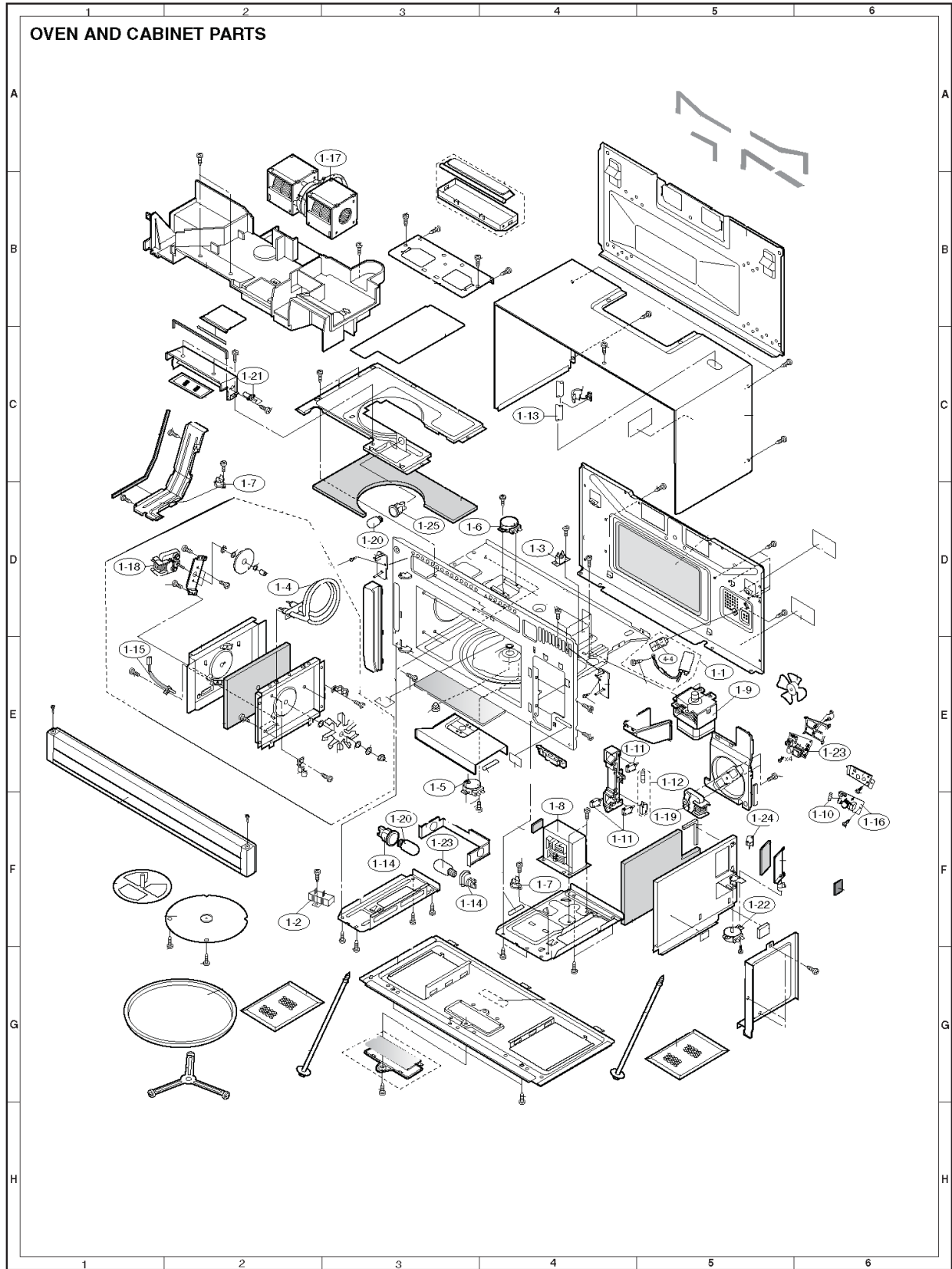
Item	Part No.	Name	Qty	Uom	NOTES
69	063796-000	DAMPER CUSHION	1	EA	
70	063798-000	DAMPER PLATE	1	EA	
71	063795-000	DAMPER CAM	1	EA	
72	063814-000	CUSHION	1	EA	
73	063812-000	CUSHION	1	EA	
74	063808-000	HOOD INTAKE DUCT R	1	EA	
75	063799-000	THERMAL COVER R	1	EA	
76	063797-000	HEAT PROTECT R	1	EA	
77	PM120149	Unit Mounting Screw	2	EA	
78	PM120153	Screw, 4mm X 12mm	3	EA	
79	PM120142	Screw, 4mm X 10mm	1	EA	
80	PM120033	SCREW ; CONTROL PANEL MTG.	2	EA	
81	PM110078	Stirrer Fan Assembly	1	EA	
82	063786-000	STIRRER COVER ASSEMBLY	1	EA	
83	PM110076	Turntable Tray	1	EA	
84	PM110075	Turntable Support Assembly	1	EA	

RVMHC330SSY Electric Parts

RVMHC330SSY



Item	Part No.	Name	Qty	Uom	NOTES
1	063770-000	HOOD FAN MOTOR	1	EA	
2	PM100082	AH Sensor	1	EA	
Not Shown	NOTE	(BEFORE SERIAL RH330A)		EA	
2	066273-000	AH SENSOR	1	EA	
Not Shown	NOTE	(ON OR AFTER SERIAL RH330A)		EA	
3	PM100076	Power Supply Cord	1	EA	
Not Shown	NOTE	(BEFORE SERIAL RH330A)		EA	
3	066272-000	POWER SUPPLY CORD	1	EA	
Not Shown	NOTE	(ON OR AFTER SERIAL RH330A)		EA	
4	063767-000	THERMAL CUT-OUT N.O 60°C	2	EA	
5	PM100081	Hood / Oven Lamp	3	EA	
6	PM100039	OVEN LAMP SOCKET	1	EA	
7	022386-000	STIRRER MOTOR	1	EA	
8	PM100016	OVEN TEMP FUSE	1	EA	
9	PM100079	CONVECTION MOTOR	1	EA	
10	022394-000	CONVECTION HEATER	1	EA	
11	PM100077	THERMISTOR	1	EA	
12	065009-000	HIGH VOLTAGE CAPACITOR ASSEMBLY	1	EA	
13	063768-000	MAGNETRON	1	EA	
14	062583-000	SECONDARY/THIRD/STOP SWITCH	3	EA	
15	063772-000	SWITCHING POWER SUPPLY	1	EA	
16	063768-000	MAGNETRON	1	EA	
17	063771-000	NOISE FILTER	1	EA	
18	PM100019	INTERLOCK SWITCH	1	EA	
19	PM100075	Monitor and Scodary Interlock Switch	1	EA	
20	PM100080	Fan Motor	1	EA	
21	022390-000	POWER TRANSFORMER	1	EA	
22	063234-000	HOOD LAMP SOCKET	2	EA	
23	PM100069	TURNTABLE MOTOR	1	EA	

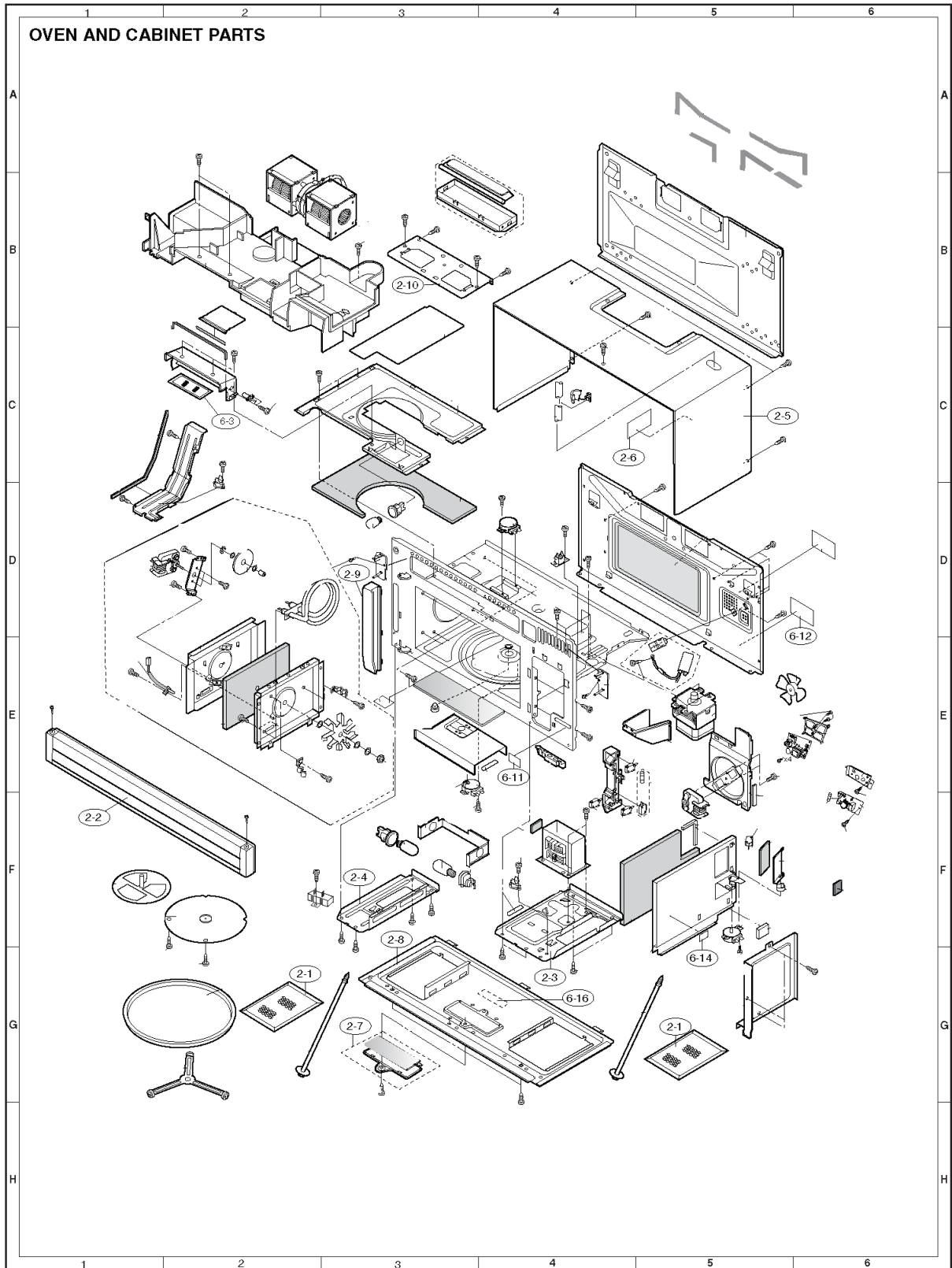




Item	Part No.	Name	Qty	Uom	NOTES
24	PM100084	Noise Resistor	1	EA	
25	022389-000	DAMPER MOTOR	1	EA	

RVMHC330SSY Cabinet Parts

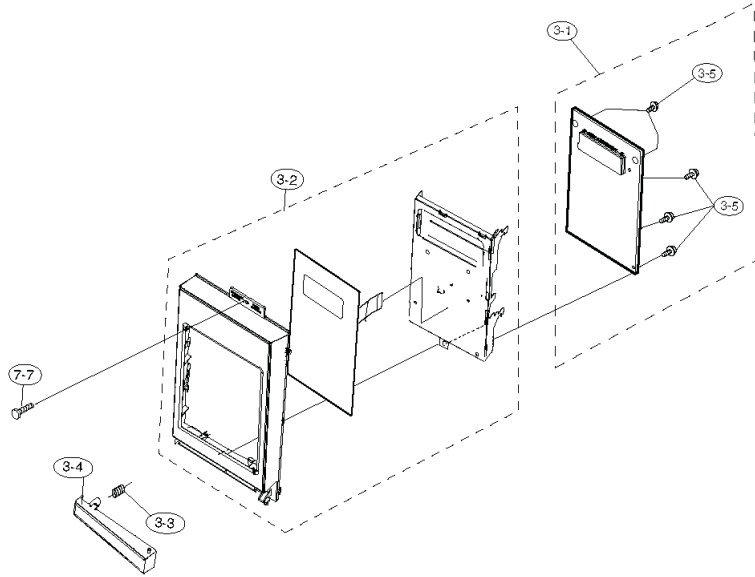
RVMHC330SSY





Item	Part No.	Name	Qty	Uom	NOTES
1	063780-000	REAR STAY	1	EA	
2	063776-000	OUTER CASE CABINET	1	EA	
3	063777-000	SCHEMATIC DIAGRAM	1	EA	
4	PM110096	Charcoal Filter	1	EA	
5	065011-000	LEFT SASH ASSEMBLY	1	EA	
6	063828-000	DHHS SERVICE CAUTION LABEL	1	EA	
7	005196-000	GND CAUTION LABEL	1	EA	NO LONGER AVAILABLE, Not available online / Call for pricing and availability
8	022422-000	HOOD EXHAUST LOUVER	1	EA	
9	063775-000	BASE PLATE LEFT	1	EA	
10	063778-000	BASE COVER	1	EA	
11	PM110064	Grease Filter	2	EA	
12	065010-000	HOOD LAMP GLASS ASSEMBLY	1	EA	
13	063774-000	BASE PLATE RIGHT	1	EA	
14	022237-000	NHW CAUTION LABEL	1	EA	Not available online / Call for pricing and availability
15	063829-000	MONITOR CAUTION LABEL	1	EA	

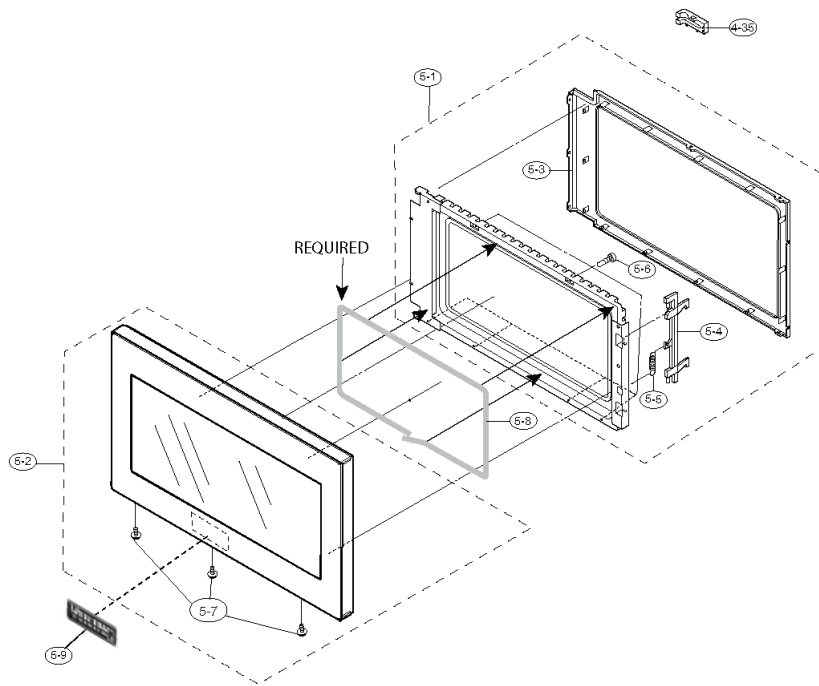
RVMHC330SSY Control Panel Parts





Item	Part No.	Name	Qty	Uom	NOTES
1	063781-000	CONTROL UNIT	1	EA	
Not Shown	NOTE	(BEFORE SERIAL RH330A)		EA	
1	066274-000	CONTROL UNIT	1	EA	
Not Shown	NOTE	(ON OR AFTER SERIAL RH330A)		EA	
2	022383-000	SCREW	5	EA	
3	065012-000	CONTROL PANEL SUB ASSEMBLY	1	EA	
4	PM120146	SCREW : 4MM X 12MM	1	EA	
5	065013-000	OPEN BUTTON ASSEMBLY	1	EA	
6	PM120044	OPEN BUTTON SPRING	1	EA	

RVMHC330SSY Door Parts

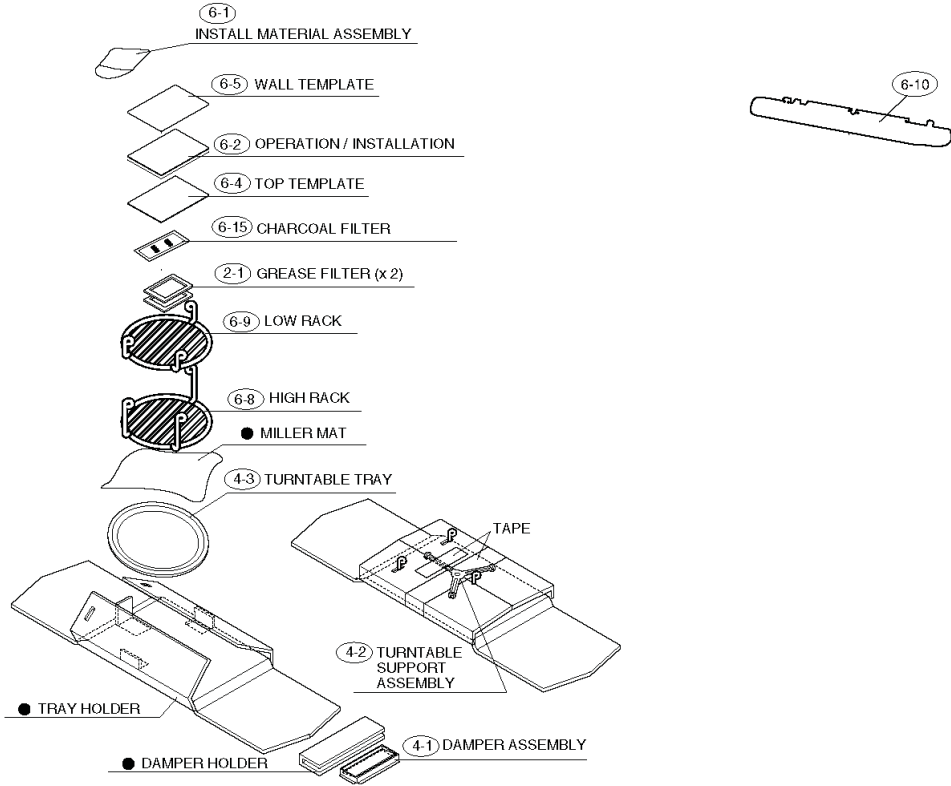




Item	Part No.	Name	Qty	Uom	NOTES
1	PM120116	Door Stopper (LSTPPB024MRF0)	1	EA	
2	PM110090	Door Panel Assembly	1	EA	
3	PM110093	Choke Cover	1	EA	
4	PM120141	Screw, 4mm X 8mm	6	EA	NO LONGER AVAILABLE, Not available online / Call for pricing and availability
5	PM120133	Latch Head (LSTPPB025MRF0)	1	EA	
6	PM120007	LATCH SPRING	1	EA	
7	PM120134	Door Cushion (PCUSUB073MRP0)	1	EA	
8	022480-000	DOOR FRAME	1	EA	
9	PM120033	SCREW ; CONTROL PANEL MTG.	3	EA	
10	065018-000	BADGE	1	EA	

RVMHC330SSY Accessories

RVMHC330SSY

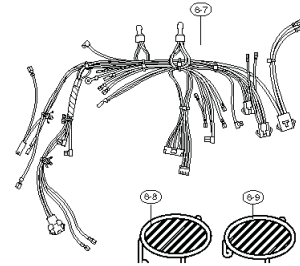
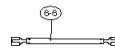
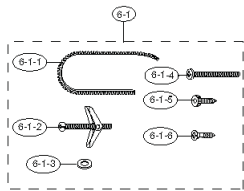


● Non-replaceable items



Item	Part No.	Name	Qty	Uom	NOTES
1	063837-000	INSTALLATION MATERIAL ASSEMBLY	1	EA	
2	022499-000	WALL TEMPLATE	1	EA	
3	Download Online	USE AND CARE MANUAL	1	EA	
4	022465-000	TOP TEMPLATE	1	EA	
5	PM110096	Charcoal Filter	1	EA	
6	PM110064	Grease Filter	2	EA	
7	PM110095	Low Rack	1	EA	
8	PM110094	High Rack	1	EA	
9	PM110076	Turntable Tray	1	EA	
10	PM110075	Turntable Support Assembly	1	EA	
11	PM120106	Exhaust Damper Assembly (FFTA-B004MRK0)	1	EA	
12	050588-000	DEFLECTOR	1	EA	

RVMHC330SSY Miscellaneous





Item	Part No.	Name	Qty	Uom	NOTES
1	063837-000	INSTALLATION MATERIAL ASSEMBLY	1	EA	
2	PM120136	GROMMET (LBSHC0040MRE0)	1	EA	
3	PM120137	Toggle Screw (LX-BZ0195WRE0)	4	EA	NO LONGER AVAILABLE
4	065019-000	Washer	1	EA	
5	PM120139	SCREW : 4MM X 8MM	2	EA	
6	PM120146	SCREW : 4MM X 12MM	1	EA	
7	PM120140	Screw, 5mm X 35mm	6	EA	NO LONGER AVAILABLE
8	PM100098	High Voltage Wire - A	1	EA	NO LONGER AVAILABLE, Not available online / Call for pricing and availability
9	063827-000	MAIN HARNESS	1	EA	
Not Shown	NOTE	(BEFORE SERIAL RH330A)		EA	
9	066275-000	MAIN HARNESS	1	EA	
Not Shown	NOTE	(ON OR AFTER SERIAL RH330A)		EA	
10	PM110094	High Rack	1	EA	
11	PM110095	Low Rack	1	EA	



Appendix A:Pages Index

RVMHC330SSY Accessories 6
RVMHC330SSY Cabinet Parts 3
RVMHC330SSY Control Panel Parts 4
RVMHC330SSY Door Parts 5
RVMHC330SSY Electric Parts 2
RVMHC330SSY Miscellaneous 7
RVMHC330SSY Oven Parts 1



Appendix B:Parts Index

005196-000	1, 3	063791-000	1
022237-000	3	063792-000	1
022262-000	1	063793-000	1
022306-000	1	063794-000	1
022383-000	4	063795-000	1
022386-000	2	063796-000	1
022389-000	2	063797-000	1
022390-000	2	063798-000	1
022394-000	2	063799-000	1
022422-000	3	063800-000	1
022447-000	1	063801-000	1
022451-000	1	063802-000	1
022465-000	6	063803-000	1
022467-000	1	063804-000	1
022480-000	5	063805-000	1
022499-000	6	063806-000	1
028721-000	1	063807-000	1
050588-000	6	063808-000	1
057735-000	1	063809-000	1
062583-000	2	063810-000	1
062590-000	1	063812-000	1
063234-000	2	063813-000	1
063767-000	2	063814-000	1
063768-000	2, 2	063815-000	1
063770-000	2	063816-000	1
063771-000	2	063817-000	1
063772-000	2	063818-000	1
063774-000	3	063819-000	1
063775-000	3	063820-000	1
063776-000	3	063822-000	1
063777-000	3	063827-000	7
063778-000	3	063828-000	3
063780-000	3	063829-000	3
063781-000	4	063837-000	6, 7
063785-000	1	065009-000	2
063786-000	1	065010-000	3
063787-000	1	065011-000	3
063788-000	1	065012-000	4
063789-000	1	065013-000	4
063790-000	1	065014-000	1, 1
		065018-000	5



065019-000	7	PM120044	4
066272-000	2	PM120076	1
066273-000	2	PM120106	1, 6
066274-000	4	PM120116	5
066275-000	7	PM120133	5
Download Online	6	PM120134	5
PM100016	2	PM120136	7
PM100019	2	PM120137	7
PM100039	2	PM120139	7
PM100069	2	PM120140	7
PM100075	2	PM120141	1, 5
PM100076	2	PM120142	1
PM100077	2	PM120143	1
PM100079	2	PM120144	1
PM100080	2	PM120145	1
PM100081	2	PM120146	1, 4, 7
PM100082	2	PM120147	1
PM100084	2	PM120148	1
PM100092	1	PM120149	1
PM100093	1	PM120150	1
PM100094	1	PM120151	1
PM100096	1	PM120152	1
PM100098	7	PM120153	1
PM110064	3, 6	PM120154	1
PM110075	1, 6	PM120155	1
PM110076	1, 6	PM120156	1
PM110078	1	PM120157	1
PM110080	1	PM120158	1
PM110081	1	PM120159	1
PM110082	1		
PM110089	1		
PM110090	5		
PM110093	5		
PM110094	6, 7		
PM110095	6, 7		
PM110096	3, 6		
PM120002	1		
PM120003	1		
PM120004	1		
PM120007	5		
PM120033	1, 5		