

This Owner's Manual is provided and hosted by [Appliance Factory Parts](#).



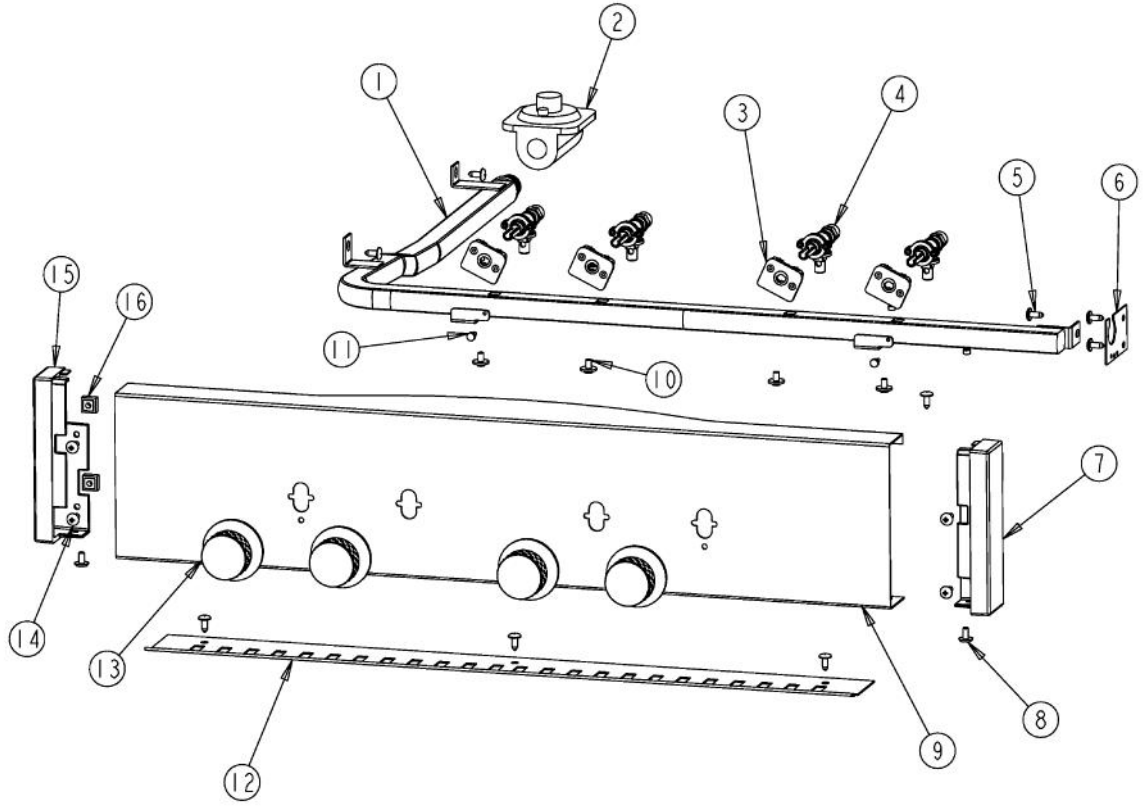
VIKING DGRT300 Owner's Manual

[Shop genuine replacement parts for VIKING DGRT300](#)

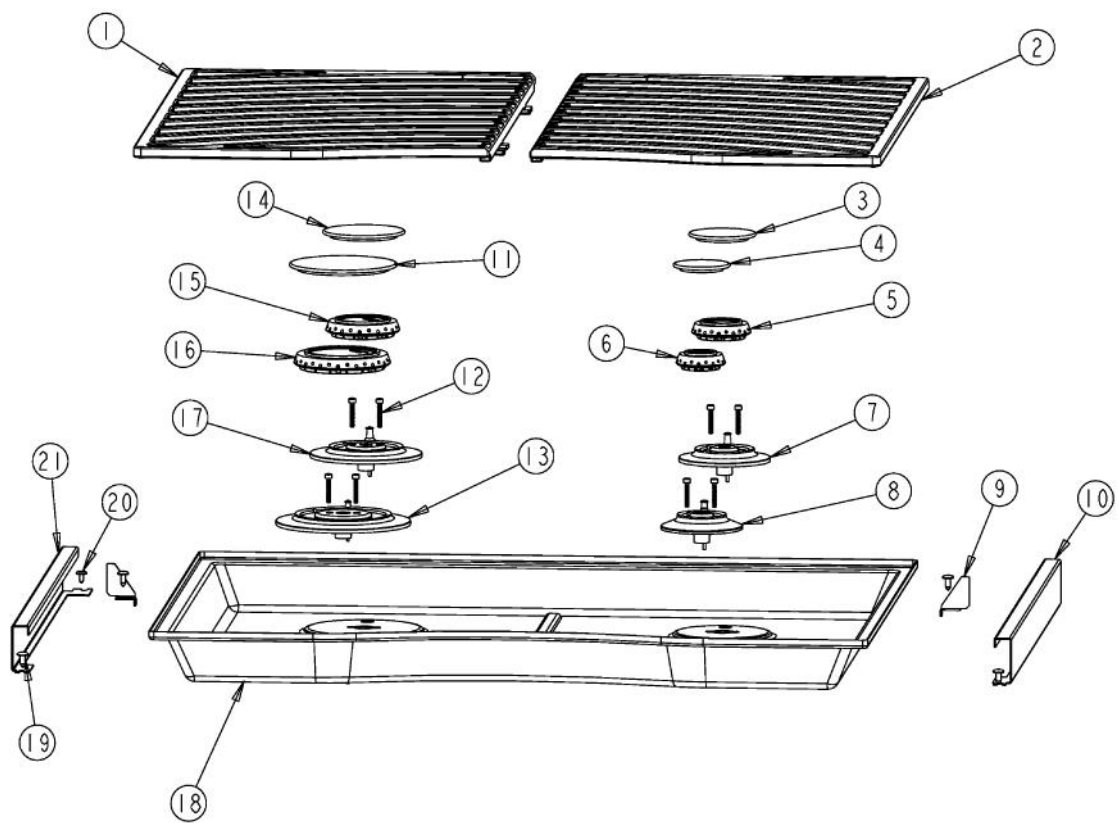


[Find Your VIKING Range Hoods Parts - Select From 411 Models](#)

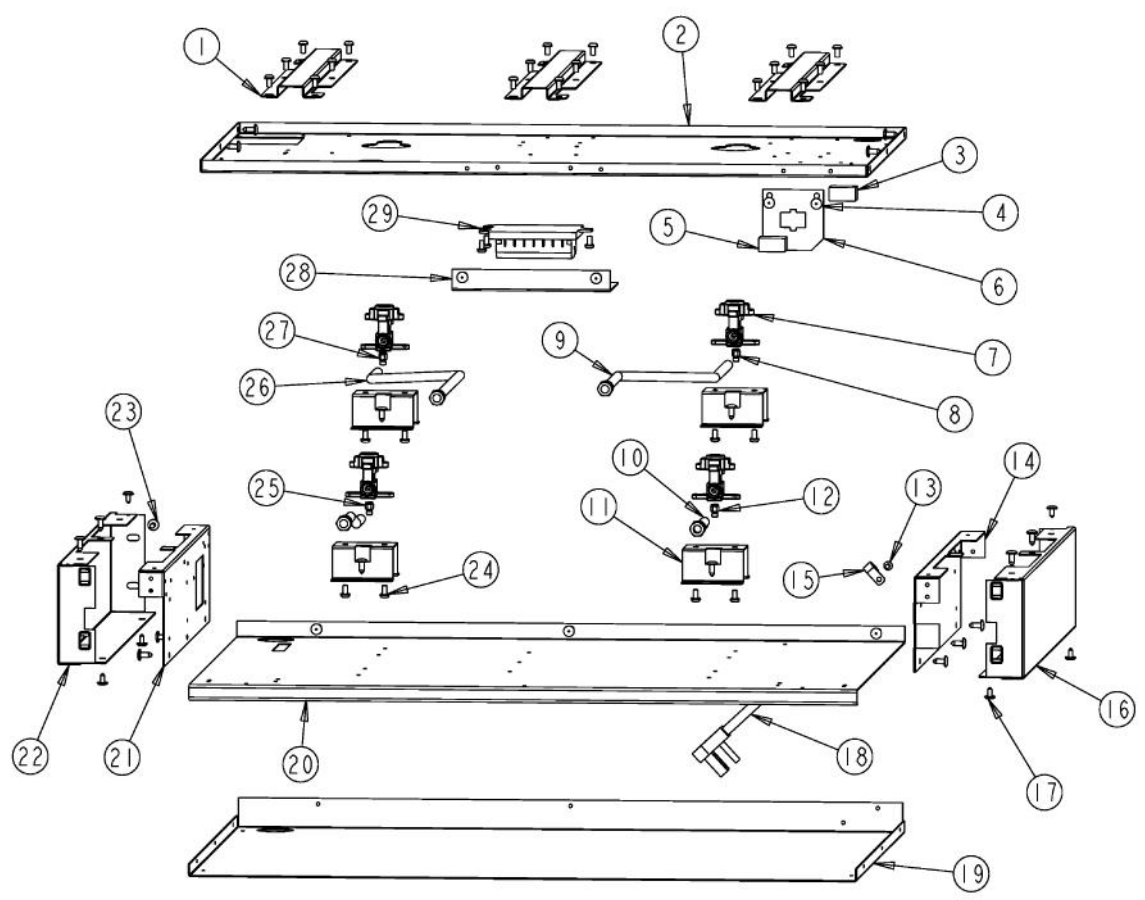
----- Manual continues below -----



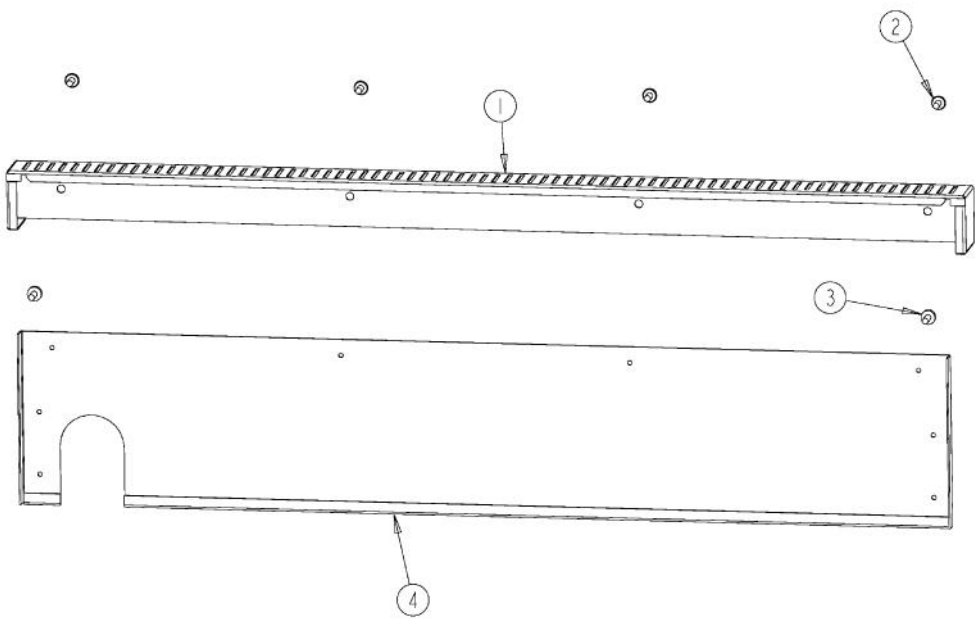
Ref #	Part Number	Qty.	Description
1	PA050106		DGRT300 MANIFOLD
2	PA070001		PRESSURE REGULATOR (NAT.)
3	PA020045		IGNITOR SWITCH
4	PA010211		DGRT TOP BURNER VALVE
5	PD020002		10 X 1/2 PH.TR.HD.SMS.
6	A1001138		MANIFOLD BRKT
7	PE030141		CONTROL PANEL END CAP, RH DGRT
8	PD020033		SRW-NO.10-24X1/2T(23)PH.WFR HD (NKL)
9	B92011411		CONTROL PANEL, DGRT300
10	PD010012		VALVE BOLT 1/4-20 UNC-2B 5/16 M.S.
11	PD020067		NO.6 X 3/8 PAN PHIL. TEK SS
12	A20013835		FINGER SHIELD 30
13	PA010163		DGRT KNOB-CHROME W/BLACK SLEEVE
	PA010163PVD		DGRT KNOB-BRASS W/BLACK SLEEVE
	PA010165		DGRT KNOB - CHROME W/GRAY SLEEVE
	PA010165PVD		DGRT KNOB - BRASS W/GRAY SLEEVE
14	PD010003		10-24 X 1/2 PH.TR.HD.SERD.M.S.
15	PE030140		CONTROL PANEL END CAP, LH DGRT
16	PD030005		SELF RETAINING NUT



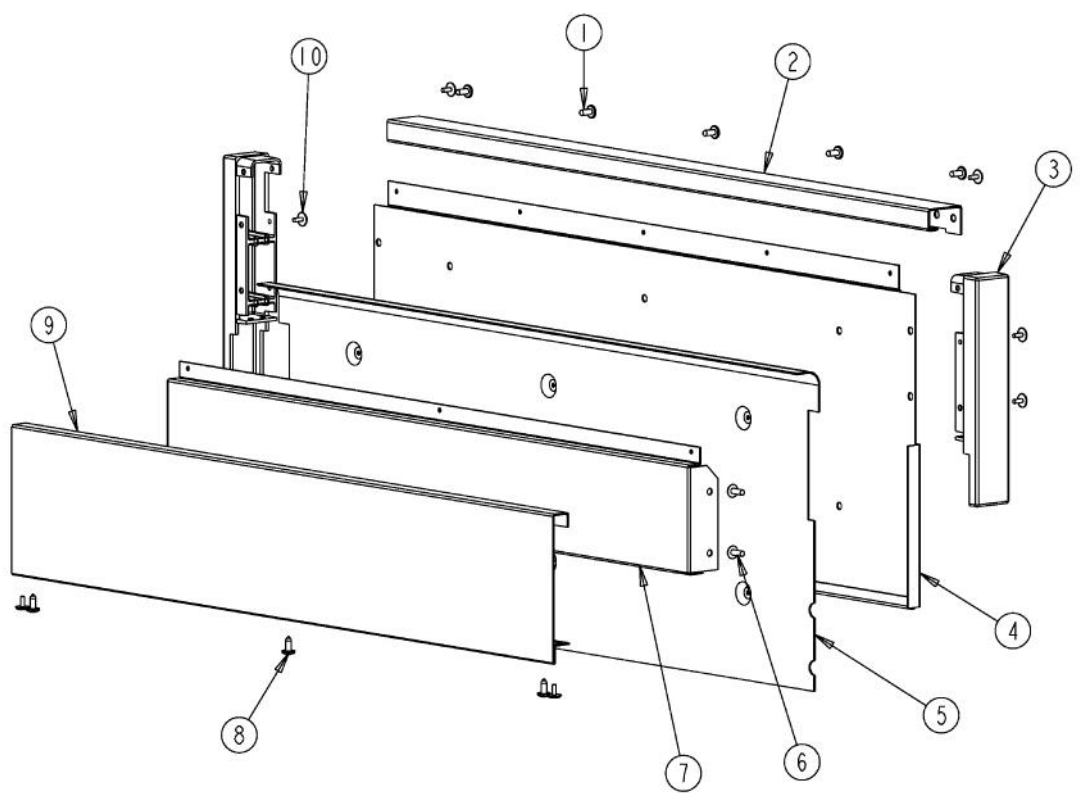
Ref #	Part Number	Qty.	Description
1	PA060109		LH GRATE - BK
	PA060112		LH GRATE - GR
2	PA060110		RH GRATE - BK
	PA060111		RH GRATE - GR
3	PA080105		DGRT-B BURNER CAP- BLACK
	PA080106		DGRT-B BURNER CAP- GRAY
4	PA080103		DGRT-A BURNER CAP- BLACK
	PA080104		DGRT-A BURNER CAP- GRAY
5	PA080100		DGRT-B COMPLETE BURNER HEAD ASSEMBLY
6	PA080099		DGRT-ACOMPLETE BURNER HEAD ASSEMBLY
7	PB050071		B-BASE
8	PB050072		A-BASE
9	A20014958		DESIGNER SIDE TRIM SUPPORT
10	B20011270		SIDE TRIM, RH
11	PA080083		D BURNER CAP XMATTE BLACKX
	PA080086		D BURNER CAP XMATTE GRAYX
12	PD020159		DGSU BURNER BASE SCREW
13	PB050069		D-BASE
14	PA080107		DGRT-C BURNER CAP- BLACK
	PA080108		DGRT-C BURNER CAP- GRAY
15	PA080101		DGRT-C COMPLETE BURNER HEAD ASSEMBLY
16	PA080102		DGRT-D COMPLETE BURNER HEAD ASSEMBLY
17	PB050070		C-BASE
18	B21011410		BURNER PAN - SS, DGRT300
	E91011410BK		BURNER PAN, DGRT300 XBKX
	E91011410BT		BURNER PAN -BT
	E91011410GG		BURNER PAN -GG
	E91011410SG		BURNER PAN -SG
	E91011410WH		BURNER PAN, DGRT300 XWHX
19	PD020002		10 X 1/2 PH.TR.HD.SMS.
20	PD020032		SRW-8(A)X3/8PH.WFR HD 7/16DIAXNICL
21	B20011269		SIDE TRIM, LH



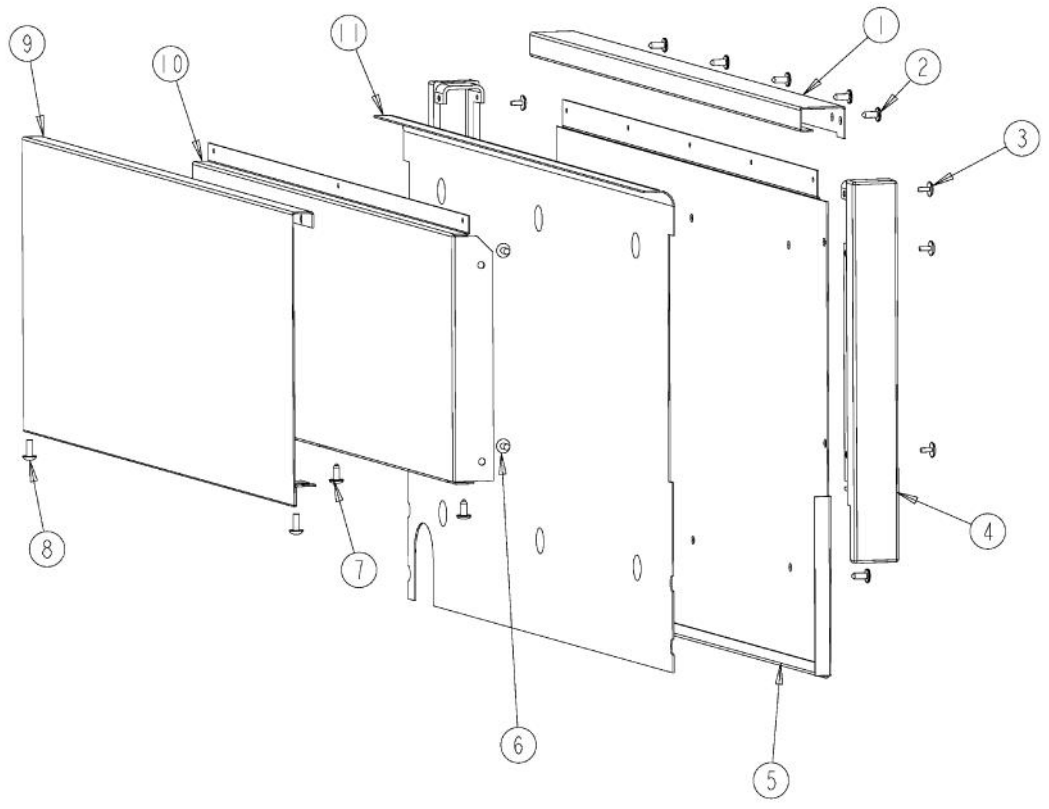
Ref #	Part Number	Qty.	Description
1	A20011280		BURNER PAN SPACER
2	A20011409		BURNER PAN SUPPORT DGRT30
3	PE070071		DISCONNECT BLOCK XALX 770027-1
4	PD020002		10 X 1/2 PH.TR.HD.SMS.
5	PE070070		DISCONNECT BLOCK XALX 770020-1
6	A10011273		PLUG BRACKET
7	PDB050067		JET HOLDER
8	PB040236		NO.55 NAT
	PB040257		LP ORIFICE NO.66
9	PB020191		15 FLEX TUBE
10	PB020190		10 FLEX TUBE
11	A20013838		JET HOLDER SPACER
12	PB040200		NO.57 ORIFICE - LP
	PB040270		NO.71 ORIFICE FOR SEALED BURNER
13	PD020010		10 X 3/8 GREEN GROUNDING SCREW
14	A2001268		BURNER BOX SIDE - RH
15	PD030009		CLAMP, AL-8 (.500)
16	B20011272		SIDE PANEL, RH
17	PD020032		SRW-8(A)X3/8PH.WFR HD 7/16DIAXNICL
18	G4007440		SUPPLY CORD ASSY
19	A20014518		BURNER BOX BOTTOM
20	A20014519		INSULATION PANEL
21	A20011267		BURNER BOX SIDE, LH
22	B20011271		SIDE PANEL, LH
23	PD020056		NO.10-24 X 1/2 PH.TR. M.S. SS
24	PD020004		10X3/8PH.HD.TYPE 25 REPL PD040125
25	PB040254		NO.49 NAT
	PB040199		NATURAL ORIFICE NO.56
26	PB020191		15 FLEX TUBE
27	PB040255		NO.52 NAT
	PB040256		LP ORIFICE NO.62
28	A20011287		SPARK MODULE BRACKET
29	PA020047		INVENSYS 0+4 RE-IGNITION SPARK MODULE
NI	PB070034		INSULATION-TRS-10 1 X 20 X 3`



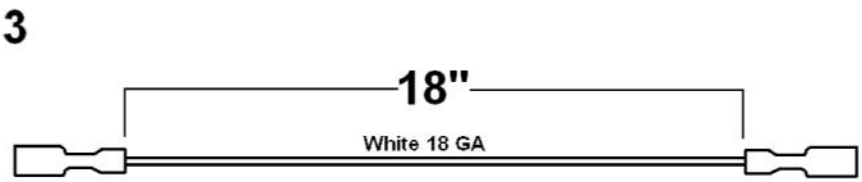
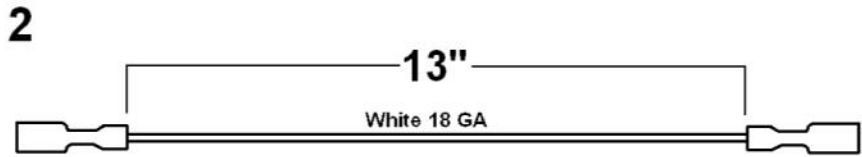
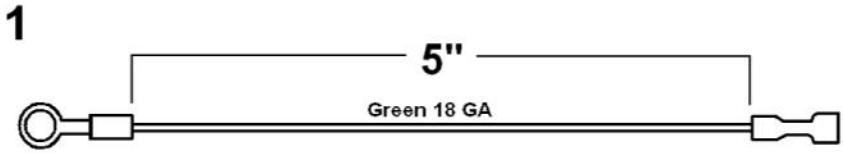
Ref #	Part Number	Qty.	Description
1	PD020046		NO.8 X 1/2 SCREWS
2	A20012256		ISLAND TRIM BACK
3	B30012255		ISLAND TRIM TOP
4	PD020056		NO.10-24 X 1/2 PH.TR. M.S. SS



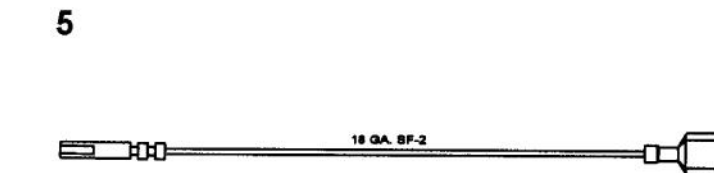
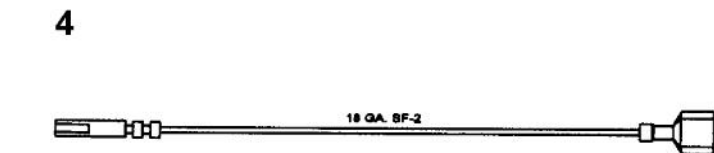
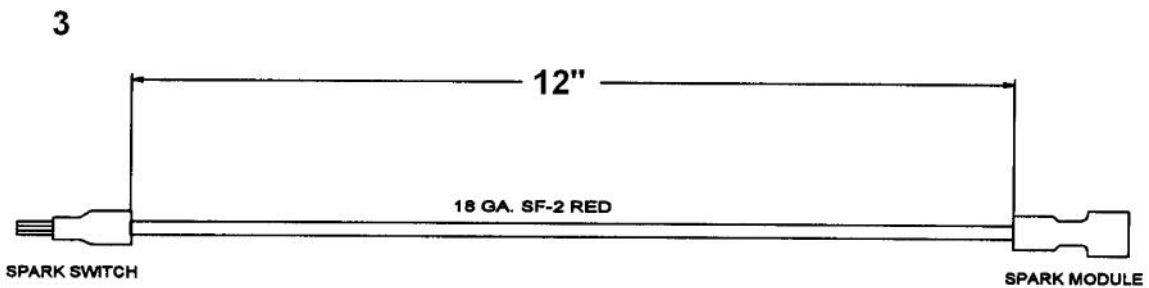
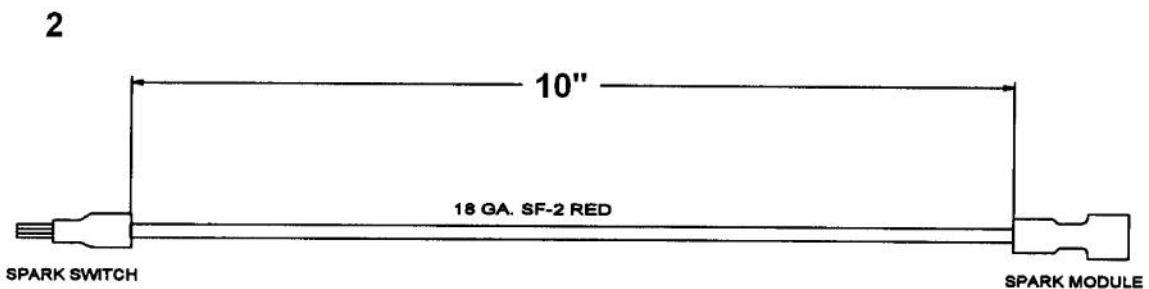
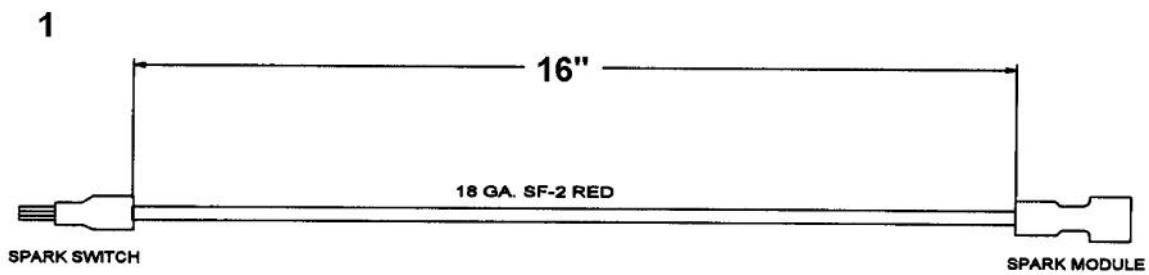
Ref #	Part Number	Qty.	Description
1	PD010003		10-24 X 1/2 PH.TR.HD.SERD.M.S.
2	PD020046		NO.8 X 1/2 SCREWS
3	PD020002		10 X 1/2 PH.TR.HD.SMS.
4	PE030152		BACKGUARD ENDCAP, RH, DGRT
5	B20011407		BACKGUARD FRONT
6	B20012254		BACKGUARD, TOP
7	A20011406		BACKGUARD FRONT SUPPORT
8	B20011405		INSIDE SHIELD
9	PD020056		NO.10-24 X 1/2 PH.TR. M.S. SS
10	A20011404		BACKGUARD BACK
11	PD020073		SRW NO.10 X 24 X 3/8 WAFER HD TYPE23



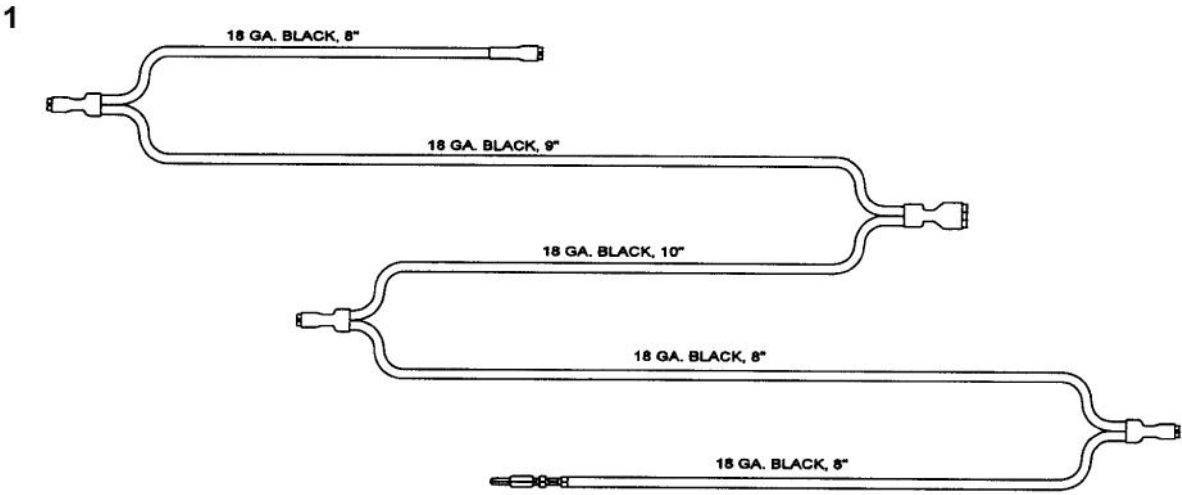
Ref #	Part Number	Qty.	Description
1	PD010003		10-24 X 1/2 PH.TR.HD.SERD.M.S.
2	PD020046		NO.8 X 1/2 SCREWS
3	PE030176		BACKGUARD ENDCAP, 10 RH DGRT
4	PD020002		10 X 1/2 PH.TR.HD.SMS.
5	B20013848		BACKGUARD FRONT
6	B20012254		BACKGUARD, TOP
7	A20013847		BACKGUARD FRONT SUPPORT
8	B20013850		INSIDE SHIELD
9	PD020056		NO.10-24 X 1/2 PH.TR. M.S. SS
10	A20013849		BACKGUARD BACK
11	PD020073		SRW NO.10 X 24 X 3/8 WAFER HD TYPE23



Ref #	Part Number	Qty.	Description
1	G4000936		GROUND WIRE
2	G40011259		IGNITER WIRE - 13''''
3	G40013348		IGNITER WIRE - 18''
4	G40014927		WIRE ASSEMBLY (NEUTRAL)



Ref #	Part Number	Qty.	Description
1	G4001311		WIRE ASSY XALX VGRT (14)
2	G4001312		WIRE ASSY XALX VGRT (10)
3	G40014929		WIRE ASSEMBLY, VALVE SWITCH (12 ``)
4	G40012155		16 BLACK WIRE ASSY
5	G40012154		16 WHITE WIRE ASSY



Ref #	Part Number	Qty.	Description
1	G40014930		WIRE HARNESS