

This Owner's Manual is provided and hosted by [Appliance Factory Parts](#).



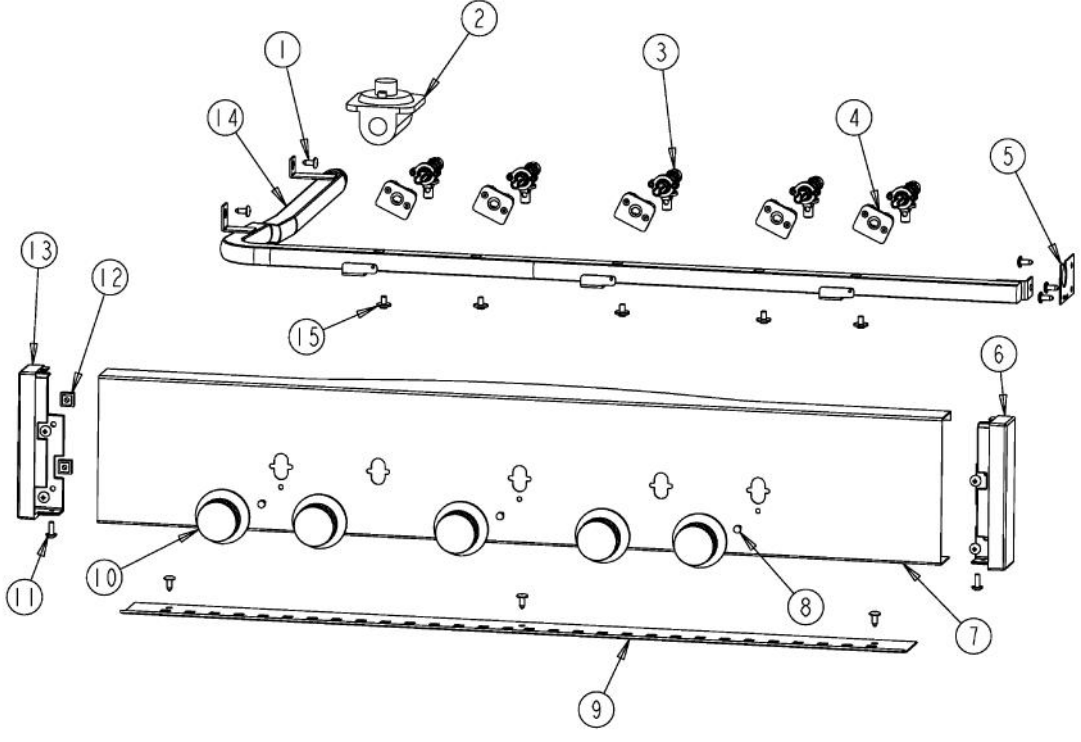
VIKING DGRT360 Owner's Manual

[Shop genuine replacement parts for VIKING DGRT360](#)

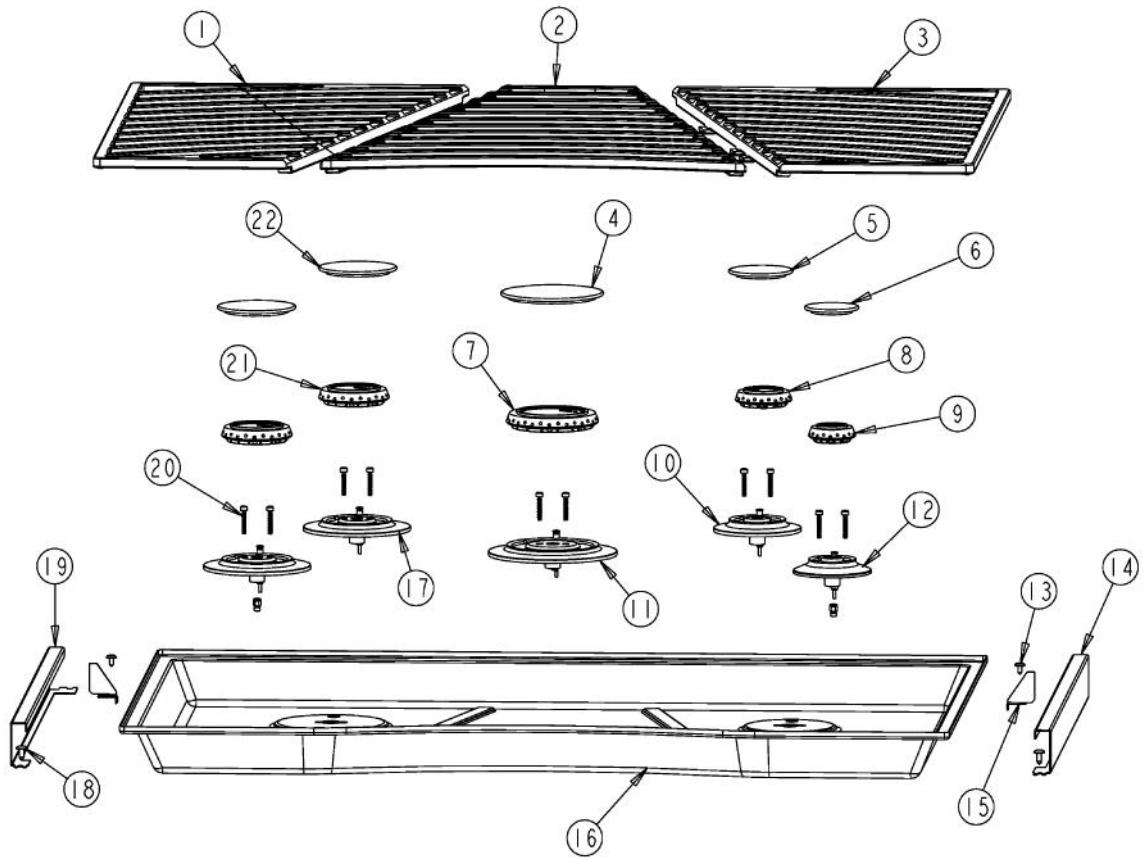


[Find Your VIKING Range Hoods Parts - Select From 411 Models](#)

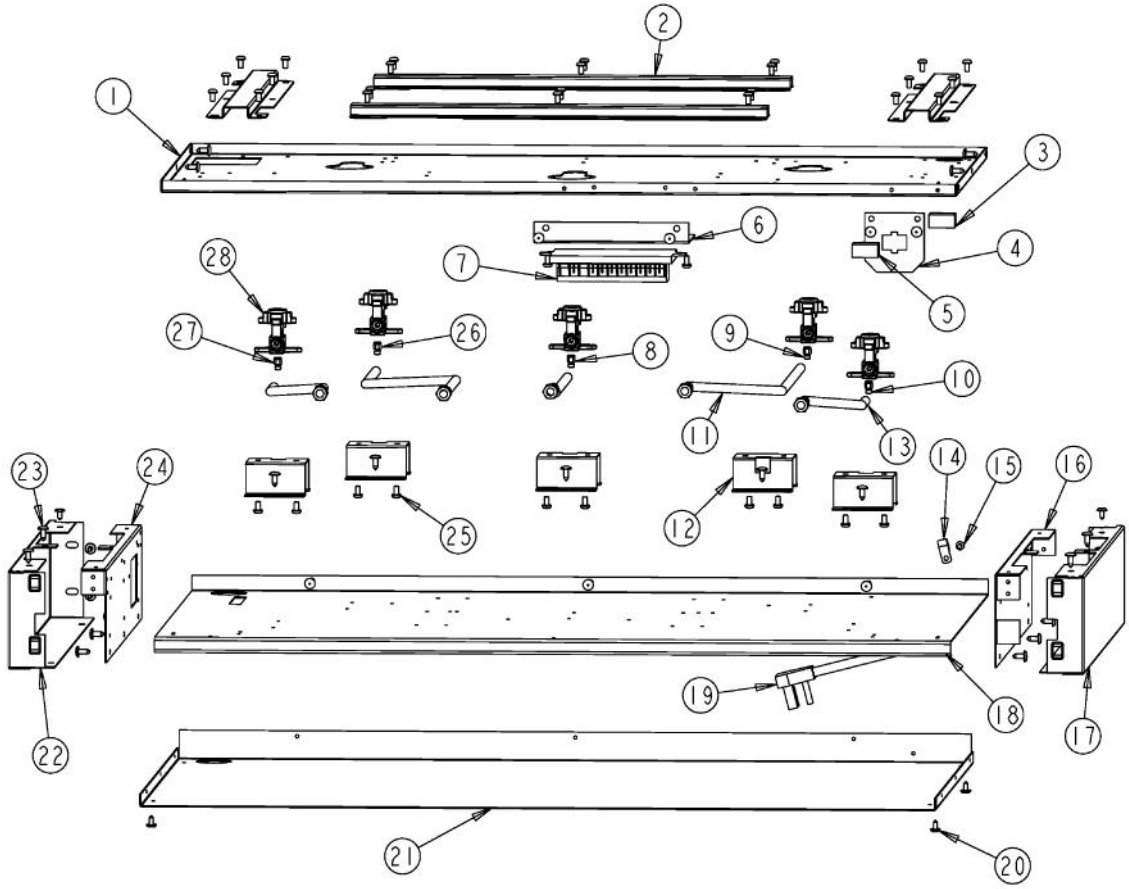
----- Manual continues below -----



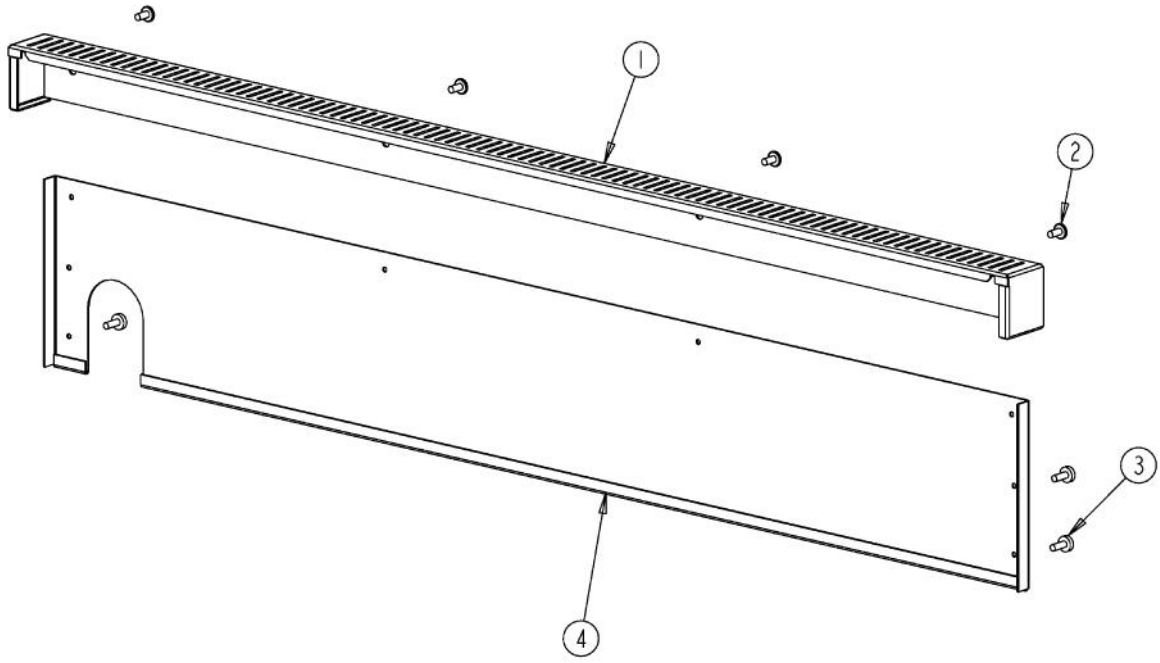
Ref #	Part Number	Qty.	Description
1	PD020002		10 X 1/2 PH.TR.HD.SMS.
2	PA070001		PRESSURE REGULATOR (NAT.)
3	PA010211		DGRT TOP BURNER VALVE
4	PA020045		IGNITOR SWITCH
5	A1001138		MANIFOLD BRKT
6	PE030141		CONTROL PANEL END CAP, RH DGRT
7	B92011266		CONTROL PANEL 36
8	PD020067		NO.6 X 3/8 PAN PHIL. TEK SS
9	A20013836		FINGER SHIELD, 36
10	PA010163		DGRT KNOB-CHROME W/BLACK SLEEVE
	PA010163PVD		DGRT KNOB-BRASS W/BLACK SLEEVE
	PA010165		DGRT KNOB - CHROME W/GRAY SLEEVE
	PA010165PVD		DGRT KNOB - BRASS W/GRAY SLEEVE
11	PD010003		10-24 X 1/2 PH.TR.HD.SERD.M.S.
12	PD030005		SELF RETAINING NUT
13	PE030140		CONTROL PANEL END CAP, LH DGRT
14	PA050101		DESIGNER RANGETOP MANIFOLD, 36
15	PD010012		VALVE BOLT 1/4-20 UNC-2B 5/16 M.S.



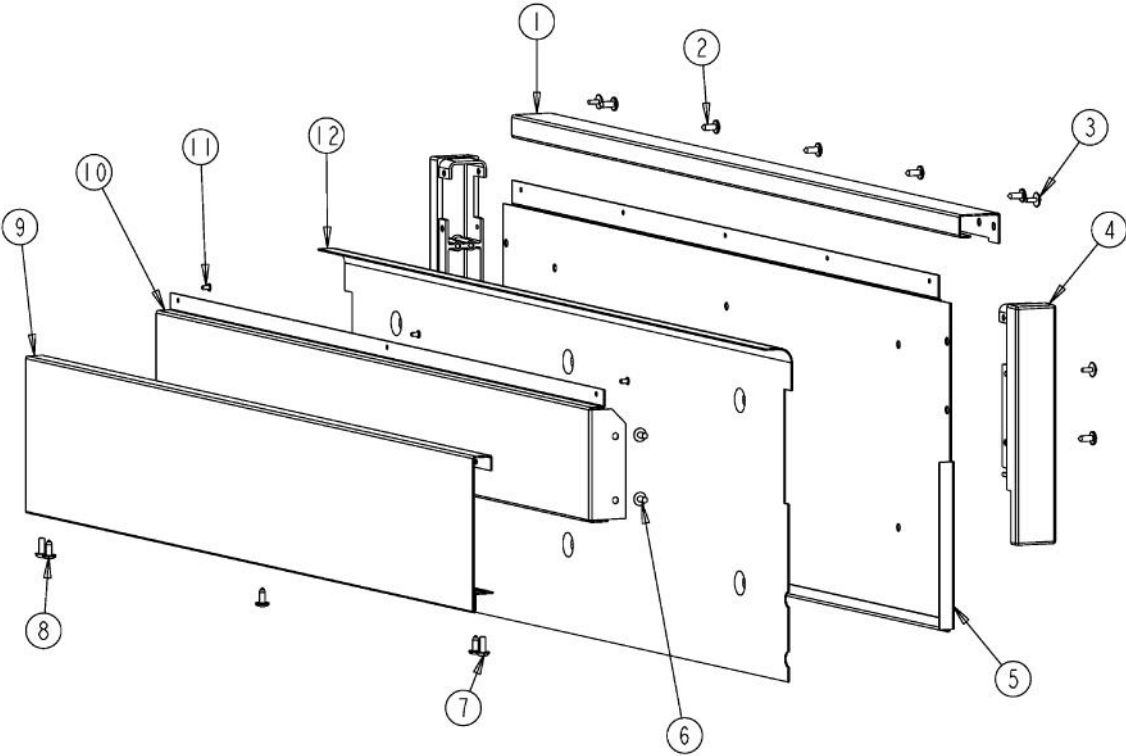
Ref #	Part Number	Qty.	Description
1	PA060100		LEFT GRATE, DGRT360 (BK)
	PA060101		LEFT GRATE, DGRT360 (GREY)
2	PA060102		CENTER GRATE, DGRT360 (BK)
	PA060103		CENTER GRATE, DGRT360 (GREY)
3	PA060104		RIGHT GRATE, DGRT360 (BK)
	PA060105		RIGHT GRATE, DGRT360 (GREY)
4	PA080083		D BURNER CAP XMATTE BLACKX
	PA080086		D BURNER CAP XMATTE GRAYX
5	PA080105		DGRT-B BURNER CAP- BLACK
	PA080106		DGRT-B BURNER CAP- GRAY
6	PA080103		DGRT-A BURNER CAP- BLACK
	PA080104		DGRT-A BURNER CAP- GRAY
7	PA080102		DGRT-D COMPLETE BURNER HEAD ASSEMBLY
8	PA080100		DGRT-B COMPLETE BURNER HEAD ASSEMBLY
9	PA080099		DGRT-ACOMPLETE BURNER HEAD ASSEMBLY
10	PB050071		B-BASE
11	PB050069		D-BASE
12	PB050072		A-BASE
13	PD020032		SRW-8(A)X3/8PH.WFR HD 7/16DIAXNICL
14	B20011270		SIDE TRIM, RH
15	A20014958		DESIGNER SIDE TRIM SUPPORT
16	B21011264		BURNER PAN DGRT360
	E91011264BK		BURNER PAN DGRT360 XBKX
	E91011264BT		BURNER PAN - BT
	E91011264GG		BURNER PAN DGRT360 XGGX
	E91011264SG		BURNER PAN - SG
	E91011264WH		BURNER PAN DGRT360 XWHX
17	PB050070		C-BASE
18	PB020002		SCREW 10 X 1/2 PH TR SMS
19	B20011269		SIDE TRIM, LH
20	PD020159		DGSU BURNER BASE SCREW
21	PA080101		DGRT-C COMPLETE BURNER HEAD ASSEMBLY
22	PA080107		DGRT-C BURNER CAP- BLACK



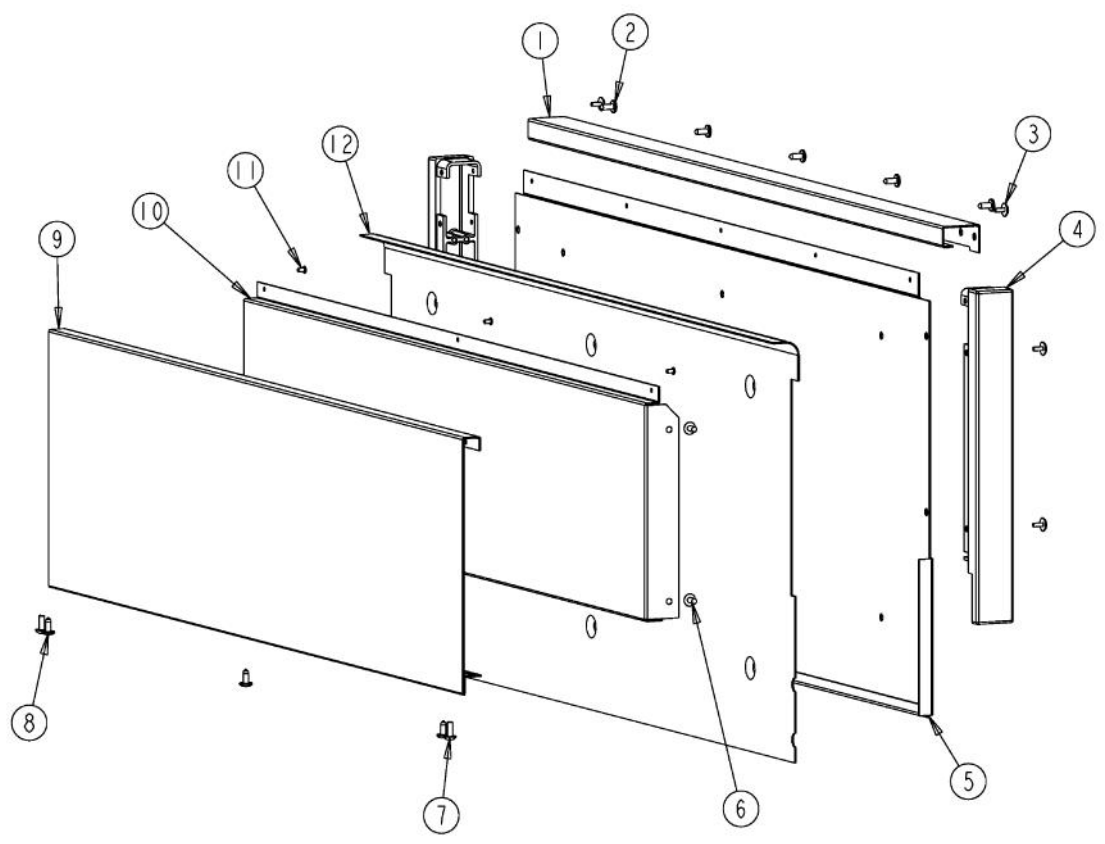
Ref #	Part Number	Qty.	Description
1	A20011265		BURNER PAN SUPPORT
2	A20011280		BURNER PAN SPACER
3	PE070071		DISCONNECT BLOCK XALX 770027-1
4	A10011273		PLUG BRACKET
5	PE070070		DISCONNECT BLOCK XALX 770020-1
6	A20011287		SPARK MODULE BRACKET
7	PA020048		INVENSYS 0+6 RE-IGNITION SPARK MODULE
8	PB040254		NO.49 NAT
	PB040199		NATURAL ORIFICE NO.56
9	PB040236		NO.55 NAT
	PB040257		LP ORIFICE NO.66
10	PB040200		NO.57 ORIFICE - LP
	PB040270		NO.71 ORIFICE FOR SEALED BURNER
11	PB020191		15 FLEX TUBE
12	A20013838		JET HOLDER SPACER
13	PB020190		10 FLEX TUBE
14	PD030009		CLAMP, AL-8 (.500)
15	PD020010		10 X 3/8 GREEN GROUNDING SCREW
16	A20011268		BURNER BOX SIDE, RH
17	B20011272		SIDE PANEL, RH
18	A20014534		36 BOTTOM INS PANEL
19	G4007440		SUPPLY CORD ASSY
20	PD020032		SRW-8(A)X3/8PH.WFR HD 7/16DIAXNICL
21	A20014533		36 BURNER BOX BOTTOM
22	B20011271		SIDE PANEL, LH
23	PD020002		10 X 1/2 PH.TR.HD.SMS.
24	A20011267		BURNER BOX SIDE, LH
25	PD020004		10X3/8PH.HD.TYPE 25 REPL PD040125
26	PB040198		NO. 54 ORIFICE FOR SEALED BURNER
	PB040272		NO.64 ORIFICE FOR SEALED BURNER
27	PB040255		NO.52 NAT
	PB040271		NO.60 LP
28	PB050067		JETHOLDER



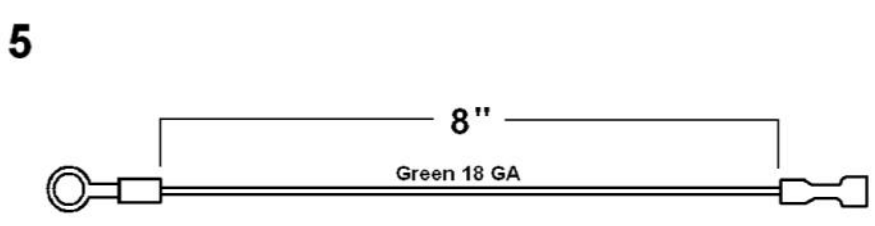
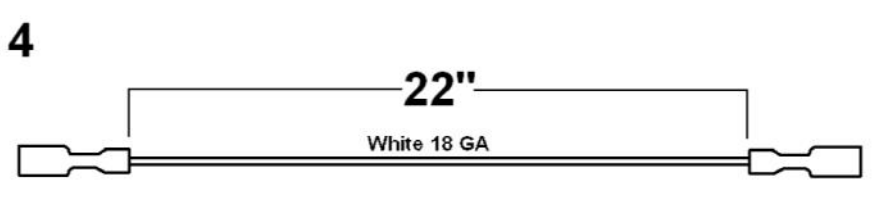
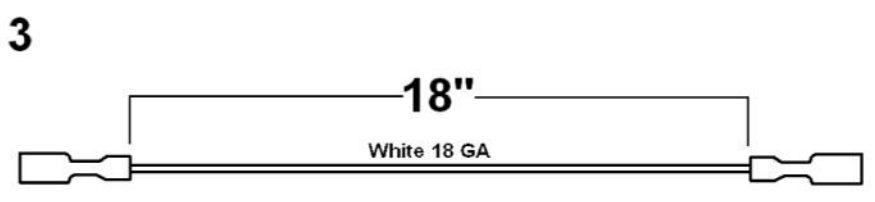
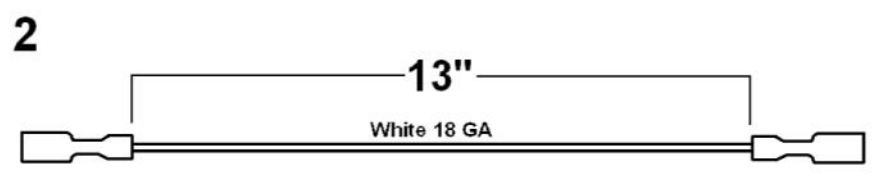
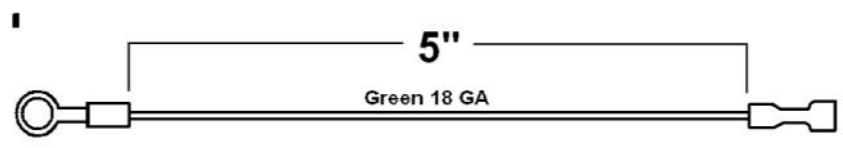
Ref #	Part Number	Qty.	Description
1	PD020046		NO.8 X 1/2 SCREWS
2	PD020002		10 X 1/2 PH.TR.HD.SMS.
3	A20011279		ISLAND TRIM, BACK, 36
4	B30011275		ISLAND TRIM TOP



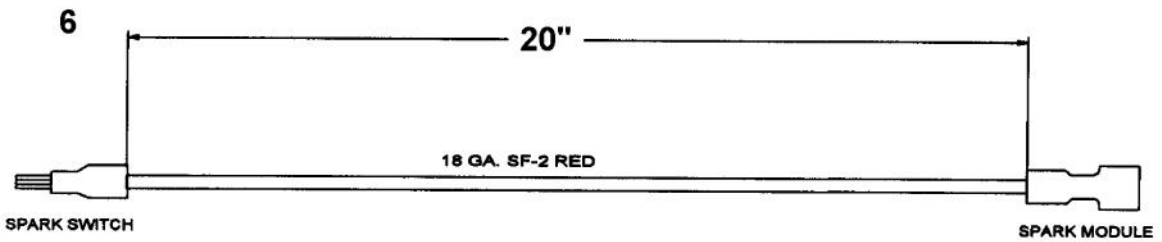
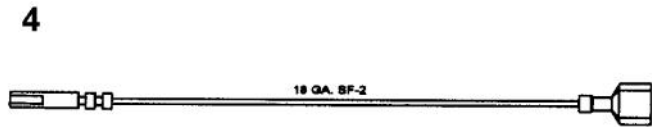
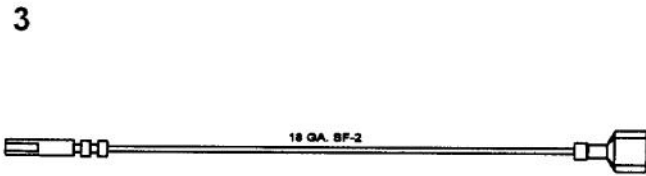
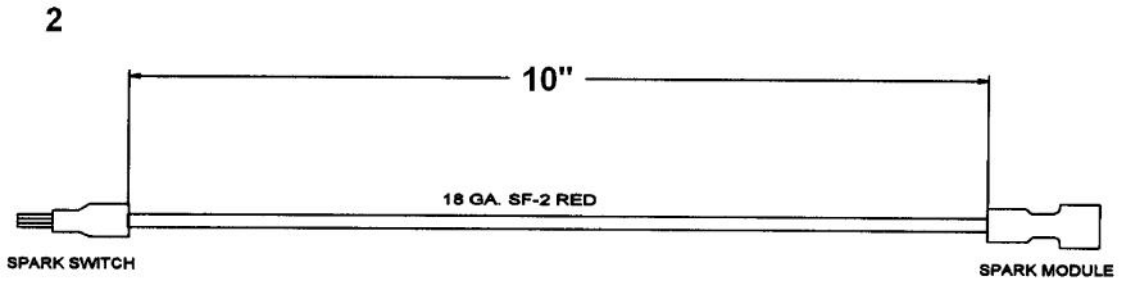
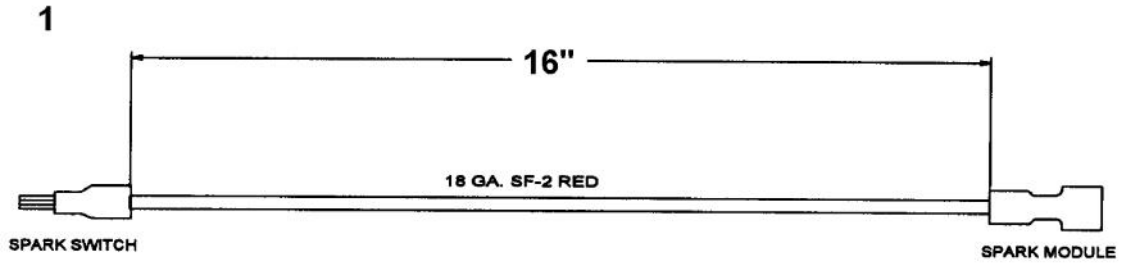
Ref #	Part Number	Qty.	Description
1	B20011284		BACKGUARD, TOP
2	PD020046		NO.8 X 1/2 SCREWS
3	PD020073		SRW NO.10 X 24 X 3/8 WAFER HD TYPE23
4	PE030152		BACKGUARD ENDCAP, RH, DGRT
5	A20011281		BACKGUARD, BACK, 6
6	PD020056		NO.10-24 X 1/2 PH.TR. M.S. SS
7	PD010003		10-24 X 1/2 PH.TR.HD.SERD.M.S.
8	PD020002		10 X 1/2 PH.TR.HD.SMS.
9	B20011282		BACKGUARD, FRONT
10	A20011283		BACKGUARD, FRONT PANEL SUPPORT
11	PC040010		POP RIVET
12	B20011285		HEAT DEFLECTOR



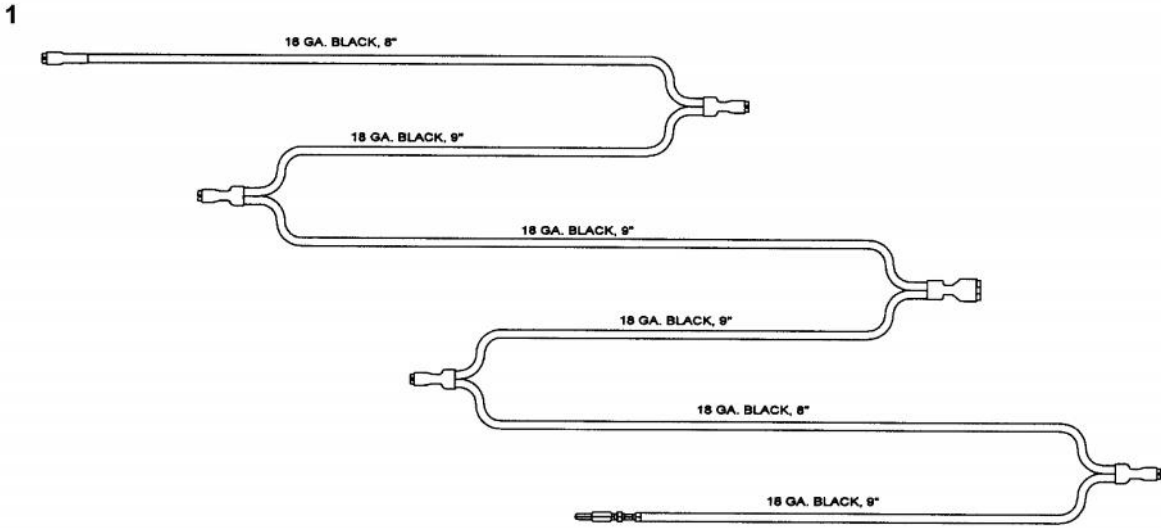
Ref #	Part Number	Qty.	Description
1	B20011284		BACKGUARD, TOP
2	PD020046		NO.8 X 1/2 SCREWS
3	PD020073		SRW NO.10 X 24 X 3/8 WAFER HD TYPE23
4	PE030176		BACKGUARD ENDCAP, 10 RH DGRT
5	A20012263		BACKGUARD BACK
6	PD020056		NO.10-24 X 1/2 PH.TR. M.S. SS
7	PD010003		10-24 X 1/2 PH.TR.HD.SERD.M.S.
8	PD020002		10 X 1/2 PH.TR.HD.SMS.
9	B20012261		BACKGUARD FRONT
10	A20012264		BACKGAURD FRONT SUPPORT
11	PC040010		POP RIVET
12	B20012262		INSIDE SHEILD



Ref #	Part Number	Qty.	Description
1	G4000936		GROUND WIRE
2	G40011259		IGNITER WIRE - 13''''
3	G40013348		IGNITER WIRE - 18''
4	G4001648		SPARK IGNITER WIRE (22)
5	G4001656		SPARK MODULE GROUND WIRE



Ref #	Part Number	Qty.	Description
1	G4001311		WIRE ASSY XALX VGRT (14)
2	G4001312		WIRE ASSY XALX VGRT (10)
3	G40012155		16 BLACK WIRE ASSY
4	G40012154		16 WHITE WIRE ASSY
5	G40014927		WIRE ASSEMBLY (NEUTRAL)
6	G4001567		SPARK SWT XBUX62.5



Ref #	Part Number	Qty.	Description
1	G40014926		WIRE HARNESS (LINE)