

This Owner's Manual is provided and hosted by [Appliance Factory Parts](#).



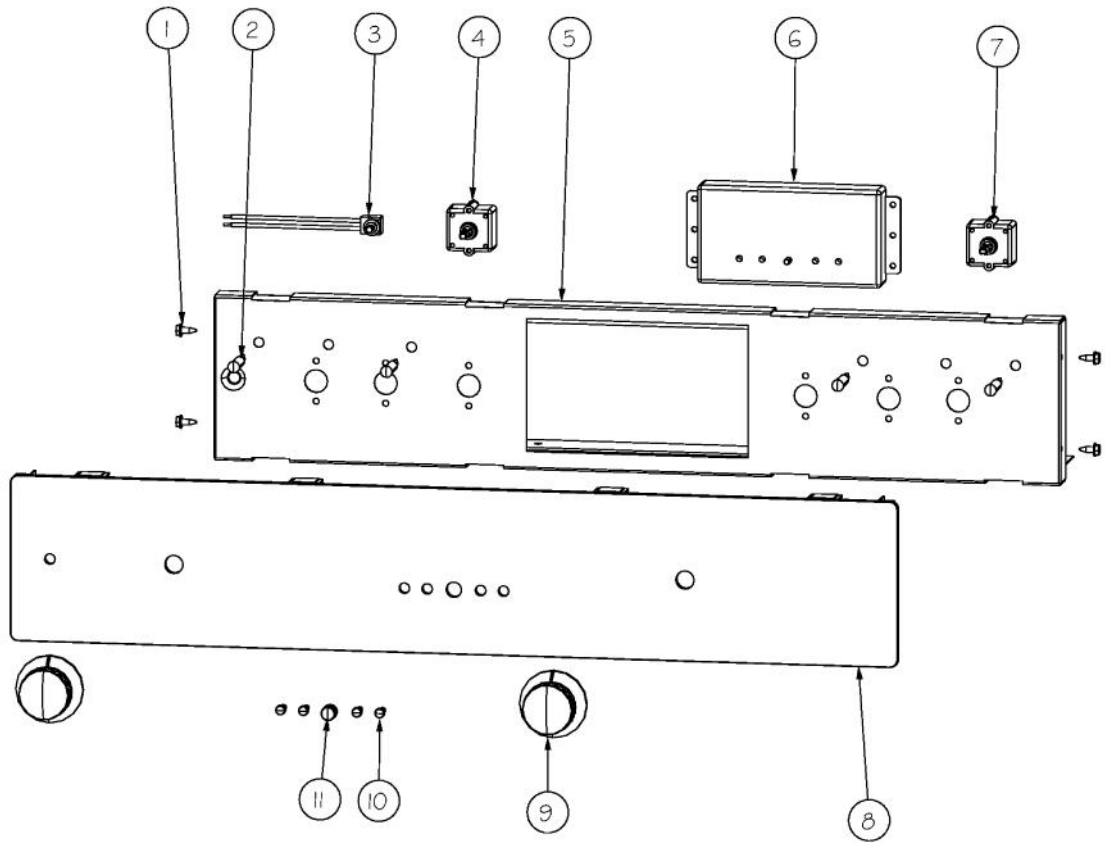
VIKING DSOE301 Owner's Manual

[Shop genuine replacement parts for VIKING DSOE301](#)

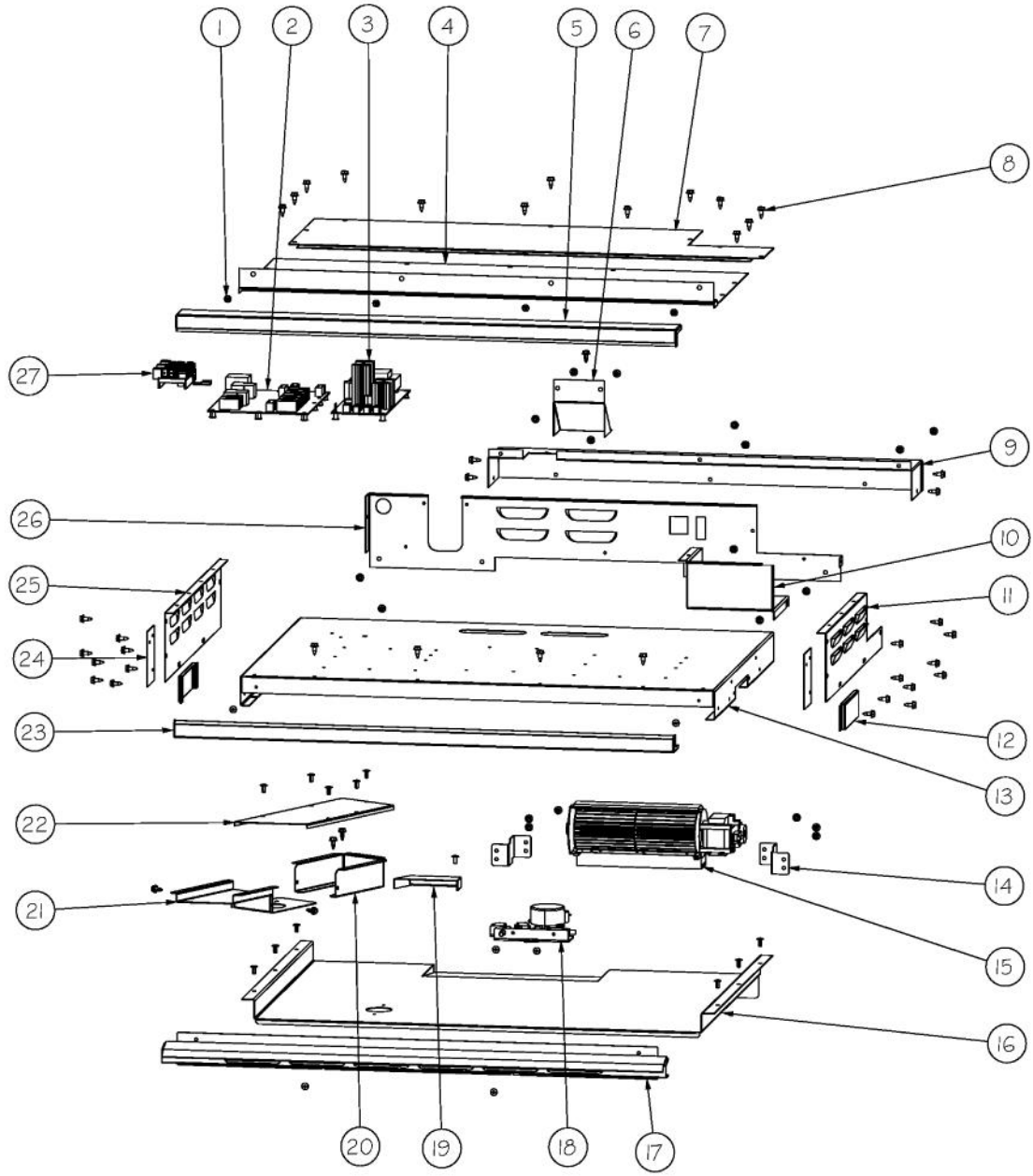


[Find Your VIKING Range Hoods Parts - Select From 411 Models](#)

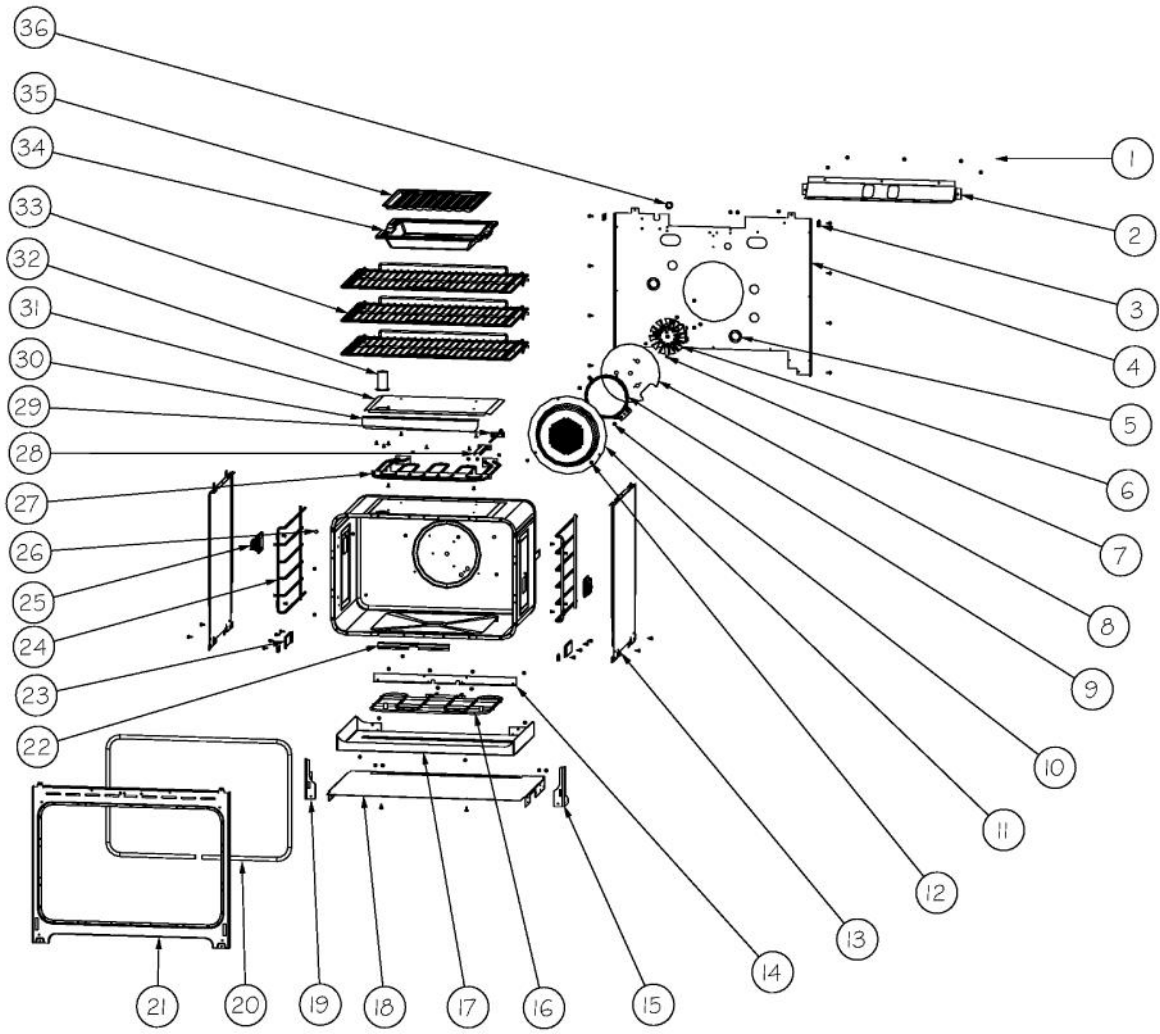
----- Manual continues below -----



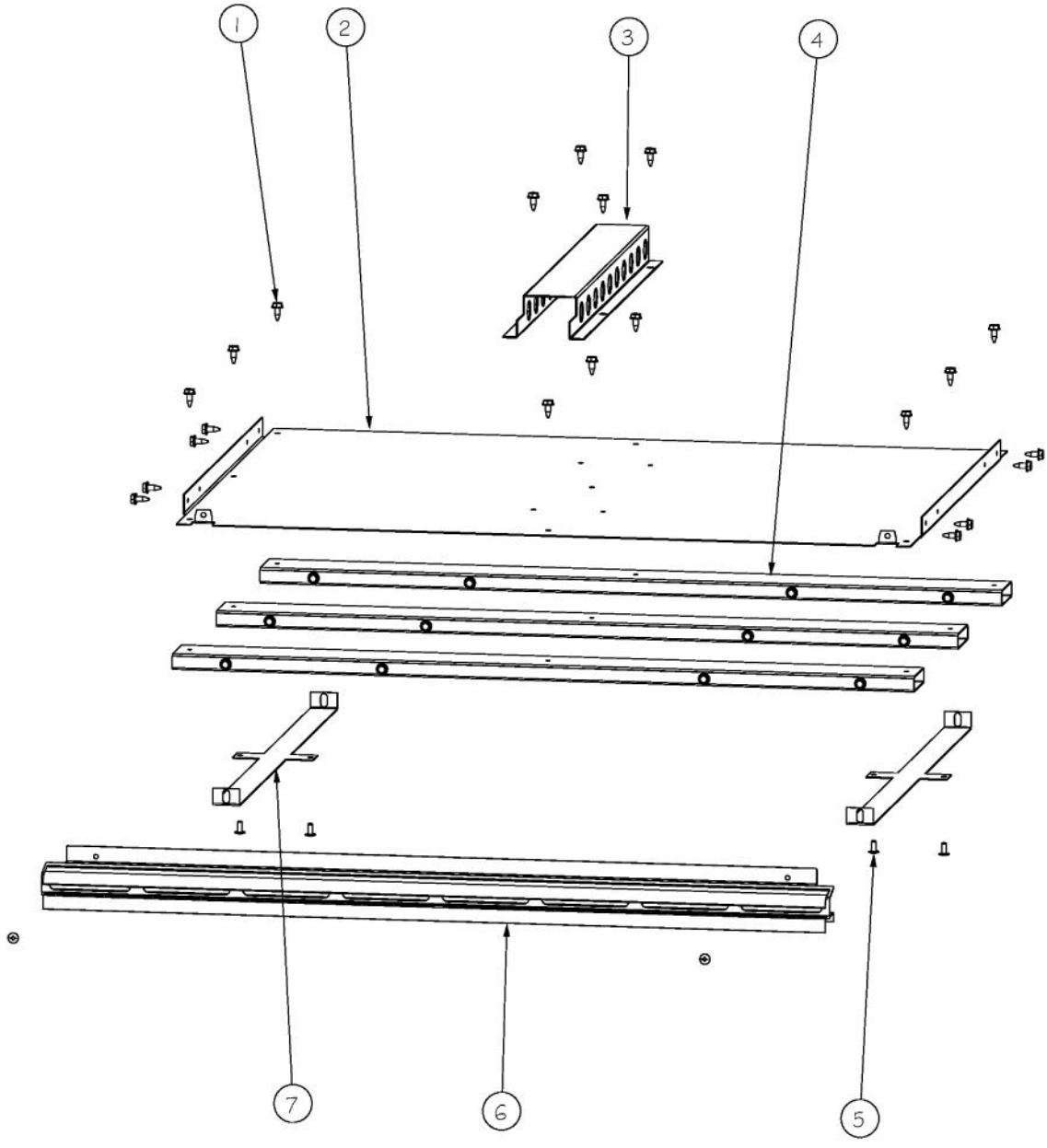
Ref #	Part Number	Qty.	Description
1	003860-000	4	NO.10-18 X .500 FASTNR,SCR,HXWH,STL,ZPLT
2	015043-000	4	INDICATOR, LIGHT, BLUE LED
3	PE050076	1	DESIGNER OVEN LIGHT SWITCH
4	PJ030033	1	SELECTOR (10 POS)
5	019340-000	1	CONTROL MOUNT
6	015195-000	1	CLOCK, TOD2, DESIGNER
7	PJ030035	1	THERMOSTAT
8	014644-000	1	PANEL,CTRL, ASM, SINGLE, DESIGNER
9	009675-000	2	KNOB
10	PB010315	4	DES. CLOCK BUTTON
11	PB010222	1	DESIGNER BIT GENERATOR KNOB
NI	015086-002	1	TRIM, CTRL, UPPER, BK
NI	015085-002	1	TRIM, CTRL, LOWER, BK



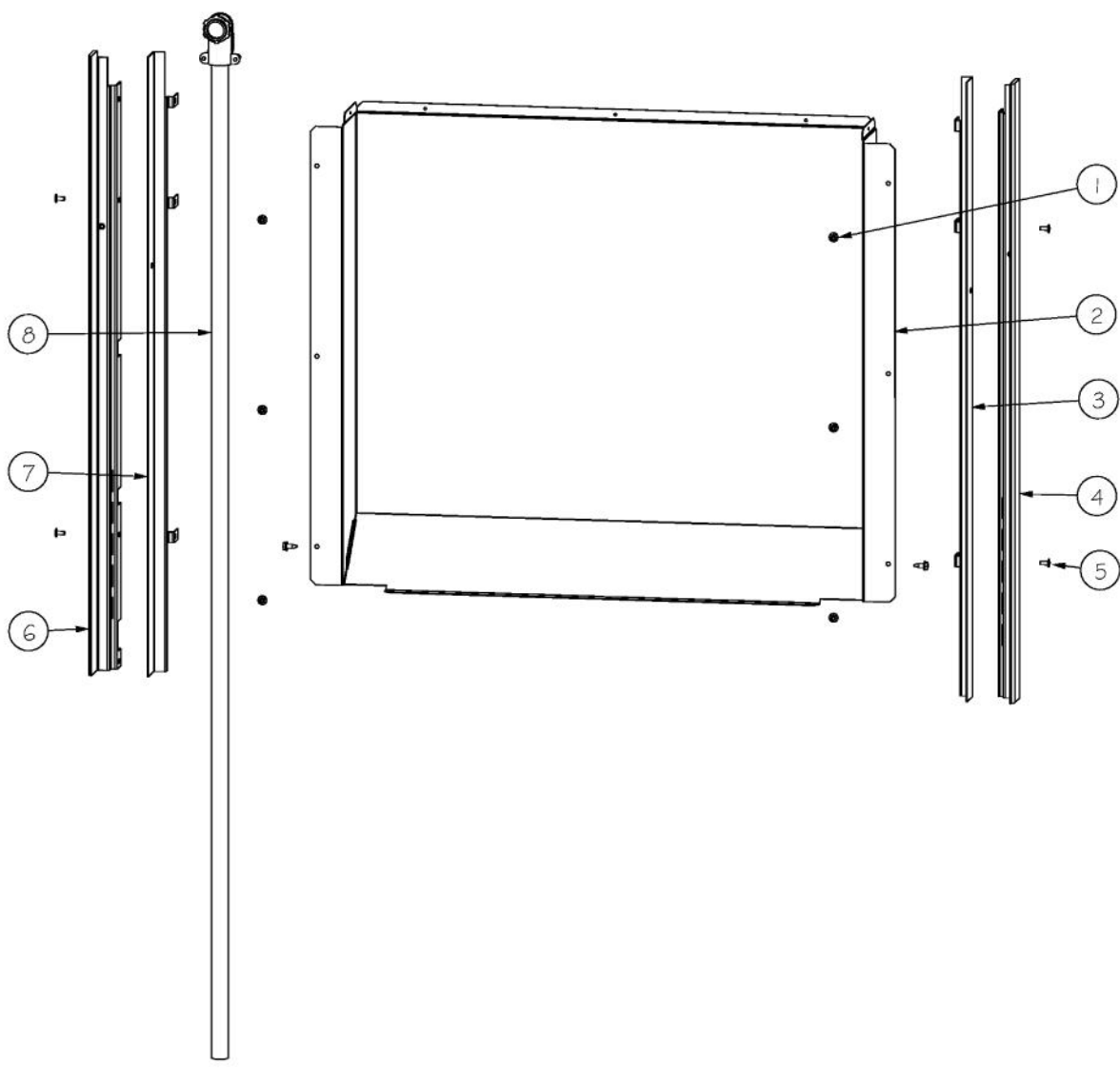
Ref #	Part Number	Qty.	Description
1	008863-000	22	SCREW NO.8 - 18 X 3/8, PHIL, LOW PROFILE TRUSS
2	014000-000	1	EOC4-CONTROL BOARD
3	015201-000	1	LINEAR POWER SUPPLY
4	012541-000	1	PANEL, ACS, FR
5	011667-000	1	TRIM, CTRL, UPPER, SS
6	009004-000	1	COVER, WIRE
7	015776-000	1	PANEL, ACS, TOP, REAR
8	003860-000	62	NO.10-18 X .500 FASTNR,SCR,HXWH,STL,ZPLT
9	009003-000	1	COVER, BACK, TOP
10	015774-000	1	COVER PLATE
11	021050-000	1	PANEL, RH, SIDE (PART ILLUSTRATION NOT EXACT)
12	013740-000	2	COVER, SIDE, DESIGNER
13	015797-000	1	ELECTRONICS MOUNT
14	008899-000	2	COOLING FAN BRACKET
15	PE050250	1	PREMIUM BLOWER WITH HES
16	008901-000	1	RETAINER INSL, TOP
17	009012-000	1	UPPER VENT ASM
18	008890-000	1	DOOR LATCH
19	008914-000	1	TRIM, VENT, SEAL
20	008912-000	1	SMOKE ELIMIN BACK
21	008902-000	1	SMOKE ELIM VENT BOTTOM
22	008913-000	1	SMOKE ELIM VENT, TOP
23	014542-000	1	TRIM, CTRL, LOWER, SS
24	012542-000	2	FILLER PLATE
25	021054-000	1	PANEL, LEFT (PART ILLUSTRATION NOT EXACT)
26	021051-000	1	PANEL, BACK (PART ILLUSTRATION NOT EXACT)
27	PE070147	1	TERMINAL BLOCK



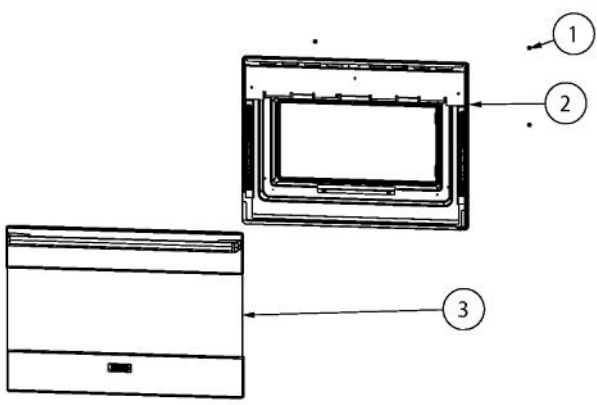
Ref #	Part Number	Qty.	Description
1	003860-000	46	NO.10-18 X .500 FASTNR,SCR,HXWH,STL,ZPLT
2	008898-000	1	FAN DEFLECTOR
3	013070-000	4	SIDE SPACER
4	008888-000	1	BACK INS RETAINER
5	PB070320	2	SILICONE EXTRUSION
6	019668-000	1	FAN, CONV, ASM
7	008877-000	3	CONV MOTOR MOUNT SCREW
8	008873-000	1	CONV. MOTOR COVER
9	008862-000	1	CONV ELEMENT
10	PD020063	2	SCREW-NO.8(A) X 3/8PH WFR HD/BK OXID
11	013580-000	1	CONV COVER W/PORC
12	008863-000	30	SCREW NO.8 - 18 X 3/8, PHIL, LOW PROFILE TRUSS
13	008896-000	2	COVER, INSL, SIDE
14	008855-000	1	COVER BAKE TRAY
15	008895-000	1	RECEIVER, HINGE RIGHT
16	008854-000	1	BAKE ELEMENT
17	008857-000	1	COVER BAKE ELEMENT
18	008894-000	1	RECEIVER, HINGE LEFT
19	008889-000	1	RETAINER, BOT, INSULATION
20	009007-000	1	DOOR GASKET
21	013505-000	1	FRONT FRAME W/PORC
22	013626-000	1	PAINTED GASKET CLIP
23	013740-000	2	COVER, SIDE, DESIGNER
24	008866-000	1	RACK SUPPORT W/ PORC
25	005312-000	2	BJB SLIMLINE 40 W BULB
26	008864-000	2	SILICONE BUMPER
27	008871-000	1	BROIL ELEMENT
28	008872-000	1	RTD COVER
29	008870-000	1	RTD
30	013753-000	1	DEFLECTOR, BRL, ASM, DESIGNER
31	008867-000	1	BROIL REFLECTOR
32	008868-000	1	SMOKE ELIMINATOR
33	013646-000	3	RACK, OVEN, DESIGNER, 30
34	014923-000	1	PAN, BROILER, BLUE PORCELAIN
35	014924-000	1	INSERT, BROILER PAN, BLUE PORCELAIN
36	PD040005	1	SNAP BUSHING - 7/8



Ref #	Part Number	Qty.	Description
1	003860-000	21	NO.10-18 X .500 FASTNR,SCR,HXWH,STL,ZPLT
2	008923-000	1	BASE COVER
3	014278-000	1	BOTTOM SUPPORT
4	008927-000	3	CROSS BRACE ASM
5	008863-000	6	SCREW NO.8 - 18 X 3/8, PHIL, LOW PROFILE TRUSS
6	009015-000	1	LOWER VENT ASM
7	008928-000	2	SLIDE, BASE



Ref #	Part Number	Qty.	Description
1	003860-000	8	NO.10-18 X .500 FASTNR,SCR,HXWH,STL,ZPLT
2	009009-000	1	COVER, BACK, LWR, NON-REF
3	016389-000	1	TRIM, SINGLE, RIGHT
4	012535-000	1	SINGLE RH SIDE TRIM EXTRUSION
5	008863-000	4	SCREW NO.8 - 18 X 3/8, PHIL, LOW PROFILE TRUSS
6	012536-000	1	SINGLE LH SIDE TRIM EXTRUSION
7	016408-000	1	TRIM, SINGLE, LEFT
8	001420-000	1	48 CONDUIT ASSY



Ref #	Part Number	Qty.	Description
1	008863-000	12	SCREW NO.8 - 18 X 3/8, PHIL, LOW PROFILE TRUSS
2	013585-000	1	DOOR PLUG W/PORC
3	008949-000	1	INNER DOOR GLASS
4	008952-000	2	INNER DOOR GLASS
5	013589-000	1	DOOR INS RET W/PORC
6	008954-000	1	RETAINER, GL, BOT
7	008959-000	1	RETAINER, GL, TOP
8	008955-000	1	HINGE RH
9	008972-000	1	CLIP, GL, DOOR, RH
10	008971-000	2	SPACER, DOOR, HANDLE
11	NON REPLACEABLE	1	OUTER DOOR DECORATIVE GLASS
12	014194-000	1	3M VHB TAPE, 4991
13	NON REPLACEABLE	1	LOWER PANEL, DOOR, SS, W/LOGO
14	013700-000	1	2.75 DESIGNER LOGO WITH PINS
15	009602-000	1	HANDLE, ASM
16	NON REPLACEABLE	1	UPPER DOOR PANEL, SS
17	008964-000	4	GLASS TO DOOR SKIN
18	014195-000	1	3M VHB TAPE, 4991, UPPER DOOR
19	008973-000	1	CLIP, GL, DOOR, LH
20	008974-000	4	SCREW 10 - 32 X 3/4 SLOT HEX WASHER
21	008958-000	1	HINGE LH
NI	014219-000	1	OUTER DOOR ASM, SS, W/LOGO
NI	016854-002	1	OUTER DOOR ASM, W/LOGO, BK
NI	016854-006	1	OUTER DOOR ASM, W/LOGO, WH
NI	014220-000	1	DOOR ASM (SS) W/ LOGO
NI	016853-002	1	DOOR ASM, W/LOGO, BK
NI	016853-006	1	DOOR ASM, W/LOGO, WH

*No Image
Available*

Ref #	Part Number	Qty.	Description
NI	023051-000	1	JUMPER WIRE