

This Owner's Manual is provided and hosted by [Appliance Factory Parts](#).



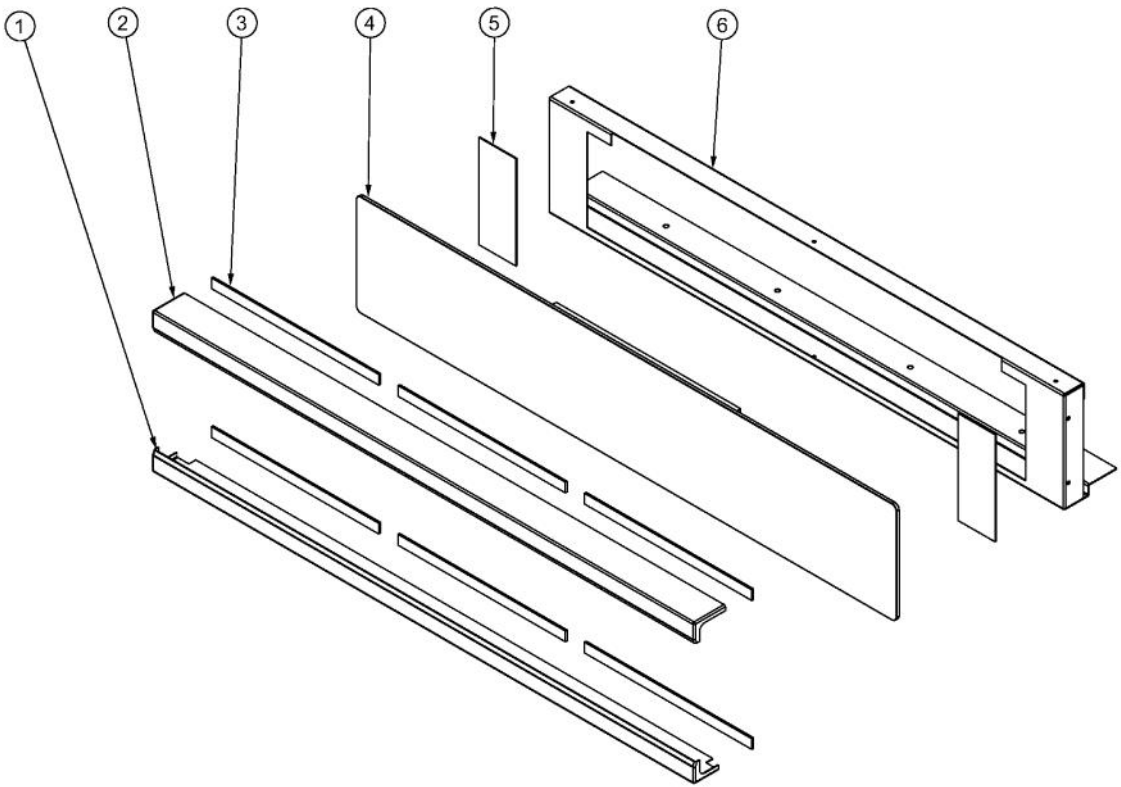
VIKING DSOE305T Owner's Manual

[Shop genuine replacement parts for VIKING DSOE305T](#)

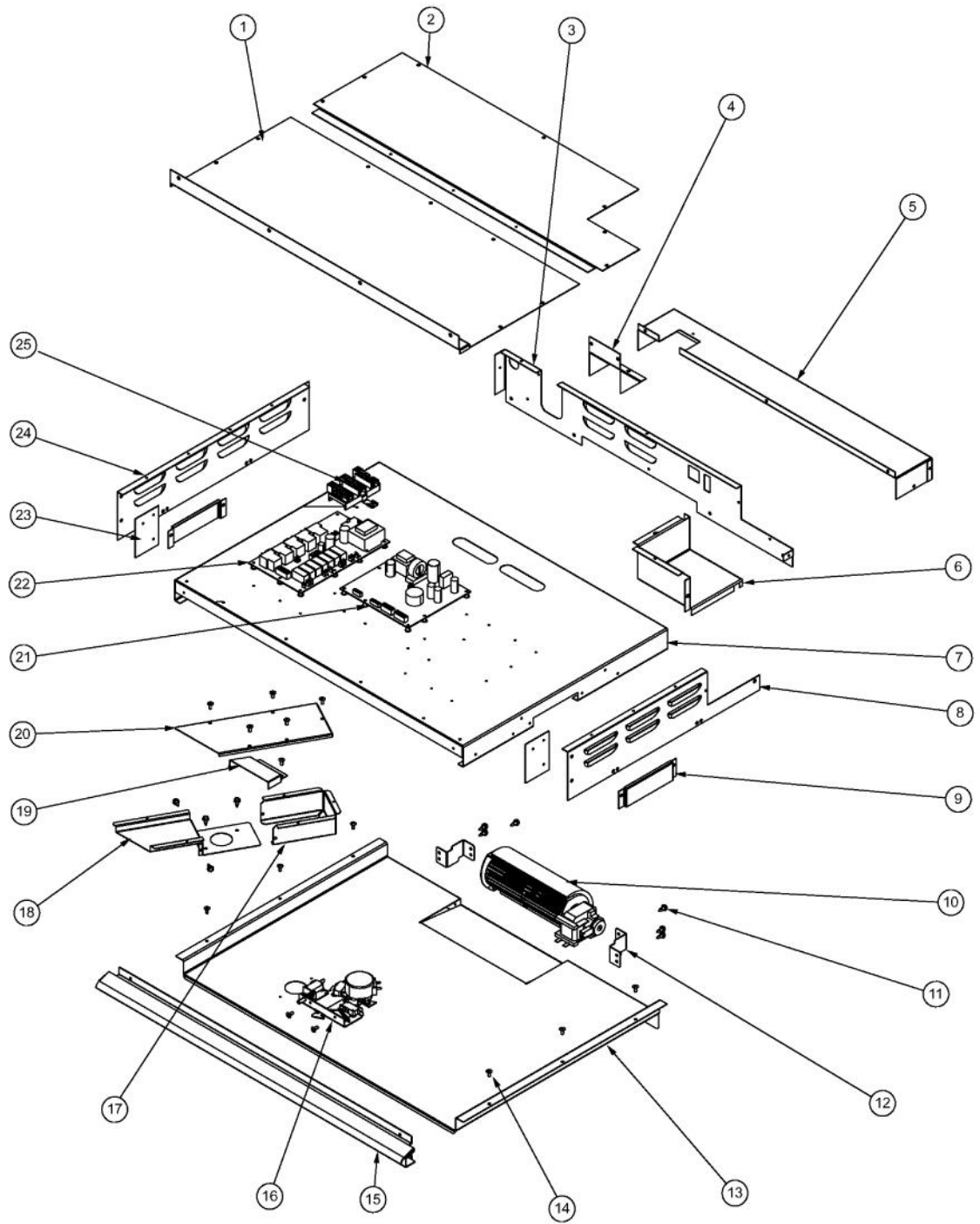


[Find Your VIKING Range Hoods Parts - Select From 411 Models](#)

----- Manual continues below -----

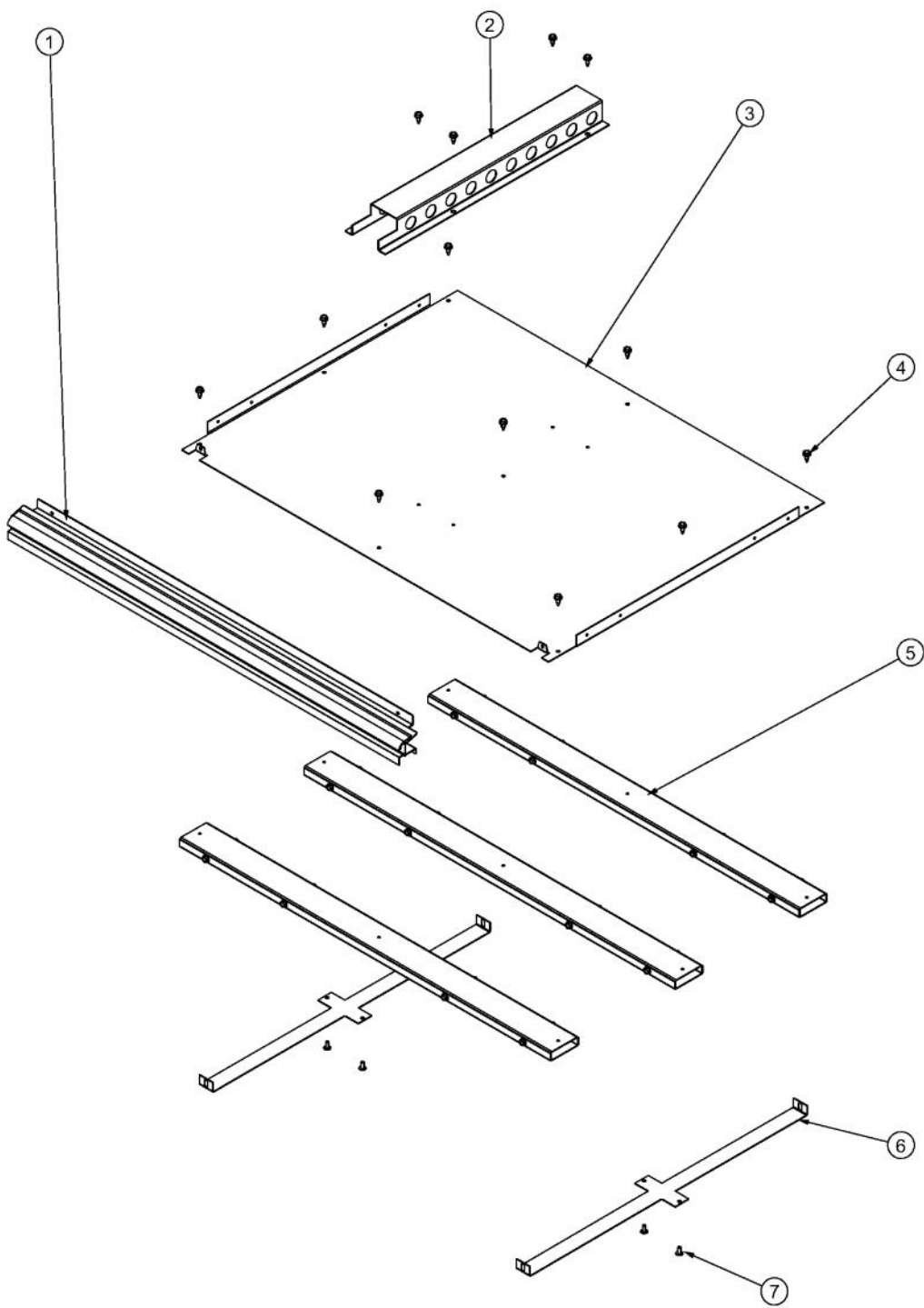


Ref #	Part Number	Qty.	Description
1	014542-000	1	TRIM, CTRL, LOWER, SS
NI	015085-002	1	TRIM, CTRL, LOWER, BK
NI	015085-003	1	TRIM, CTRL, LOWER, BT
NI	015085-004	1	TRIM, CTRL, LOWER, SG
NI	015085-005	1	TRIM, CTRL, LOWER, GG
NI	015085-006	1	TRIM, CTRL, LOWER, WH
NI	015085-008	1	TRIM, CTRL, LOWER, BU
NI	015085-009	1	TRIM, CTRL, LOWER, LE
NI	015085-010	1	TRIM, CTRL, LOWER, MJ
NI	015085-012	1	TRIM, CTRL, LOWER, VB
NI	015085-013	1	TRIM, CTRL, LOWER, CB
NI	015085-015	1	TRIM, CTRL, LOWER, PL
NI	015085-016	1	TRIM, CTRL, LOWER, CH
NI	015085-017	1	TRIM, CTRL, LOWER, TP
NI	015085-018	1	TRIM, CTRL, LOWER, CW
NI	015085-019	1	TRIM, CTRL, LOWER, OG
NI	015085-020	1	TRIM, CTRL, LOWER, GM
NI	015085-021	1	TRIM, CTRL, LOWER, SA
NI	015085-022	1	TRIM, CTRL, LOWER, SE
NI	015085-023	1	TRIM, CTRL, LOWER, IB
NI	015085-024	1	TRIM, CTRL, LOWER, AR
NI	015085-025	1	TRIM, CTRL, LOWER, RR
NI	015085-026	1	TRIM, CTRL, LOWER, PM
NI	015085-027	1	TRIM, CTRL, LOWER, MS
2	011667-000	1	TRIM, CTRL, UPPER, SS
NI	015086-002	1	TRIM, CTRL, UPPER, BK
NI	015086-003	1	TRIM, CTRL, UPPER, BT
NI	015086-004	1	TRIM, CTRL, UPPER, SG
NI	015086-005	1	TRIM, CTRL, UPPER, GG
NI	015086-006	1	TRIM, CTRL, UPPER, WH
NI	015086-008	1	TRIM, CTRL, UPPER, BU
NI	015086-009	1	TRIM, CTRL, UPPER, LE
NI	015086-010	1	TRIM, CTRL, UPPER, MJ
NI	015086-012	1	TRIM, CTRL, UPPER, VB
NI	015086-013	1	TRIM, CTRL, UPPER, CB
NI	015086-015	1	TRIM, CTRL, UPPER, PL
NI	015086-016	1	TRIM, CTRL, UPPER, CH
NI	015086-017	1	TRIM, CTRL, UPPER, TP
NI	015086-018	1	TRIM, CTRL, UPPER, CW
NI	015086-019	1	TRIM, CTRL, UPPER, OG
NI	015086-020	1	TRIM, CTRL, UPPER, GM
NI	015086-021	1	TRIM, CTRL, UPPER, SA
NI	015086-022	1	TRIM, CTRL, UPPER, SE
NI	015086-023	1	TRIM, CTRL, UPPER, IB
NI	015086-024	1	TRIM, CTRL, UPPER, AR
NI	015086-025	1	TRIM, CTRL, UPPER, RR
NI	015086-026	1	TRIM, CTRL, UPPER, PM
NI	015086-027	1	TRIM, CTRL, UPPER, MS
3	023199-000	6	TAPE, 9 CONTROL PANEL
4	012806-000	1	GLASS TOUCH PANEL, SINGLE
5	023222-000	2	FASTENER,ADH,3M
6	013360-000	1	TOUCH MOUNT

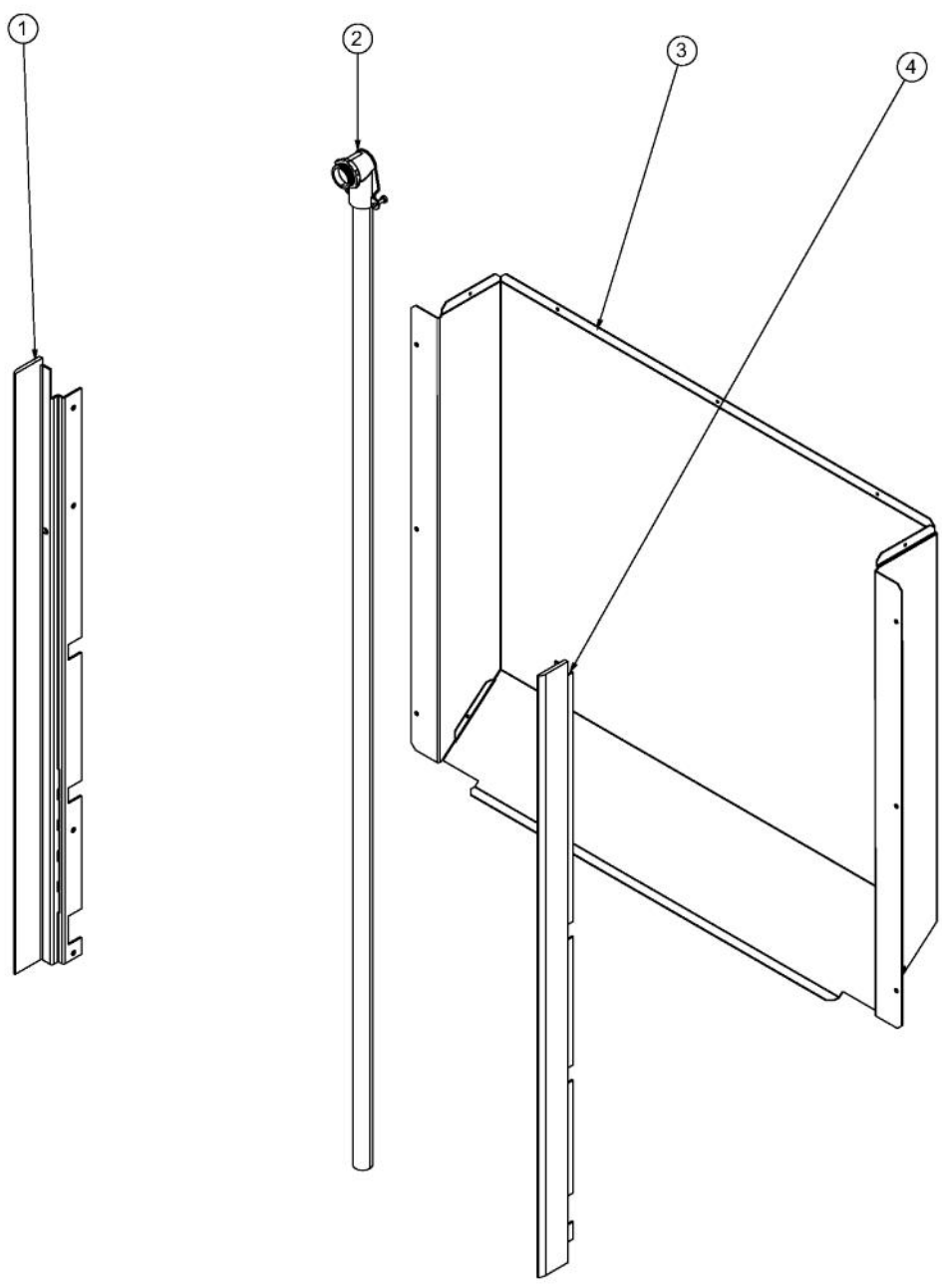


Ref #	Part Number	Qty.	Description
1	012541-000	1	PANEL, ACS, FR
2	015776-000	1	PANEL, ACS, TOP, REAR
3	015775-000	1	PANEL, ENCL, BACK, W/LOUVERS
4	009004-000	1	COVER, WIRE
5	009003-000	1	COVER, BACK, TOP
6	015774-000	1	COVER PLATE
7	019372-000	1	PANEL, MOUNTING, TOUCH
8	015777-000	1	TOP SIDE, RH
9	013740-000	2	COVER, SIDE, DESIGNER
10	PE050250	1	PREMIUM BLOWER WITH HES
11	003860-000	10	NO.10-18 X .500 FASTNR,SCR,HXWH,STL,ZPLT
12	008899-000	2	COOLING FAN BRACKET
13	008901-000	1	RETAINER INSL, TOP
14	008863-000	14	SCREW NO.8 - 18 X 3/8, PHIL, LOW PROFILE TRUSS
15	009012-000	1	UPPER VENT ASM
16	008890-000	1	DOOR LATCH
17	008912-000	1	SMOKE ELIMIN BACK
18	008902-000	1	SMOKE ELIM VENT BOTTOM
19	008914-000	1	TRIM, VENT, SEAL
20	008913-000	1	SMOKE ELIM VENT, TOP
21	PE050233	1	CONTROL BOARD
22	PE050234	1	RELAY BOARD
23	012542-000	2	FILLER PLATE
24	012540-000	1	TOP SIDE, LH
25	PE070147	1	TERMINAL BLOCK
NI	023222-000	2	FASTENER,ADH,3M

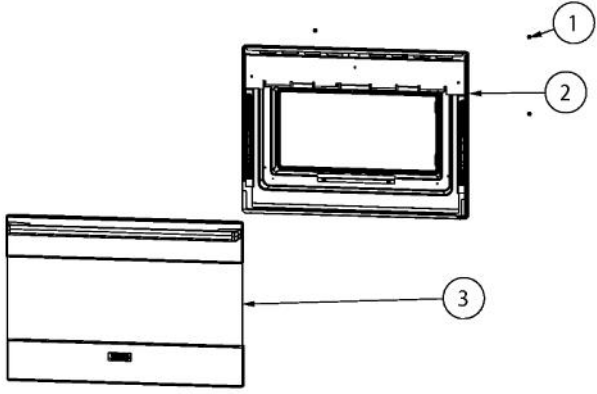
Ref #	Part Number	Qty.	Description
1	013646-000	2	RACK, OVEN, DESIGNER, 30
2	015214-000	1	GLIDE RACK ASM
3	008870-000	1	RTD
4	PD020063	2	SCREW-NO.8(A) X 3/8PH WFR HD/BK OXID
5	003860-000	33	NO.10-18 X .500 FASTNR,SCR,HXWH,STL,ZPLT
6	PD040005	1	SNAP BUSHING - 7/8
7	008888-000	1	BACK INS RETAINER
8	008898-000	1	FAN DEFLECTOR
9	PB070320	3	SILICONE EXTRUSION
10	013070-000	2	SIDE SPACER
11	019668-000	1	FAN, CONV, ASM
12	008877-000	3	CONV MOTOR MOUNT SCREW
13	008873-000	1	CONV. MOTOR COVER
14	008862-000	1	CONV ELEMENT
15	013580-000	1	CONV COVER W/PORC
16	008880-000	1	MEAT PROBE RECEPTACLE ASM
17	008896-000	2	COVER, INSL, SIDE
18	008854-000	1	BAKE ELEMENT
19	008855-000	1	COVER BAKE TRAY
20	008857-000	1	COVER BAKE ELEMENT
21	008889-000	1	RETAINER, BOT, INSULATION
22	009005-000	1	GASKET CLIP RAW
23	008863-000	33	SCREW NO.8 - 18 X 3/8, PHIL, LOW PROFILE TRUSS
24	008895-000	1	RECEIVER, HINGE RIGHT
25	009007-000	1	DOOR GASKET
26	013505-000	1	FRONT FRAME W/PORC
27	008894-000	1	RECEIVER, HINGE LEFT
28	008864-000	2	SILICONE BUMPER
29	UN-SERVICEABLE	1	COOKTOP GAS BOX 36
30	008866-000	1	RACK SUPPORT W/ PORC
31	020403-000	2	BJB SLIMLINE 40W BULB
32	008871-000	1	BROIL ELEMENT
33	013753-000	1	DEFLECTOR, BRL, ASM, DESIGNER
34	008867-000	1	BROIL REFLECTOR
35	008868-000	1	SMOKE ELIMINATOR



Ref #	Part Number	Qty.	Description
1	009015-000	1	LOWER VENT ASM
2	014278-000	1	BOTTOM SUPPORT
3	008923-000	1	BASE COVER
4	003860-000	13	NO.10-18 X .500 FASTNR,SCR,HXWH,STL,ZPLT
5	008927-000	1	CROSS BRACE ASM
6	008928-000	2	SLIDE, BASE
7	008863-000	3	SCREW NO.8 - 18 X 3/8, PHIL, LOW PROFILE TRUSS



Ref #	Part Number	Qty.	Description
1	012536-000	1	SINGLE LH SIDE TRIM EXTRUSION
2	001420-900	1	48 CONDUIT ASSY
3	009009-000	1	COVER, BACK, LWR, NON-REF
4	012535-000	1	SINGLE RH SIDE TRIM EXTRUSION



Ref #	Part Number	Qty.	Description
1	009602-000	1	HANDLE, ASM
2	011639-000	1	UPPER DOOR PANEL, SS
3	009078-000	1	OUTER DOOR DECORATIVE GLASS
4	008971-000	2	SPACER, DOOR, HANDLE
5	008973-000	1	CLIP, GL, DOOR, LH
6	008958-000	1	HINGE LH
7	008952-000	2	INNER DOOR GLASS
8	020510-000	2	TAPE, VINYL, SINGLE COATED
9	013589-000	1	DOOR INS RET W/PORC
10	021181-000	6	WASHER, FIBER
11	008949-000	1	INNER DOOR GLASS
12	008863-000	15	SCREW NO.8 - 18 X 3/8, PHIL, LOW PROFILE TRUSS
13	013585-000	1	DOOR PLUG W/PORC
14	008954-000	1	RETAINER, GL, BOT
15	008959-000	1	RETAINER, GL, TOP
16	008974-000	4	SCREW 10 - 32 X 3/4 SLOT HEX WASHER
17	008955-000	1	HINGE RH
18	008972-000	1	CLIP, GL, DOOR, RH
19	008964-000	4	GLASS TO DOOR SKIN
20	014193-000	5	3M VHB TAPE, 4991
21	014188-000	1	LOWER PANEL,DOOR, SS, W/LOGO
22	013700-000	1	2.75 DESIGNER LOGO WITH PINS
NI	014219-000	1	OUTER DOOR ASM, SS, W/LOGO
NI	016854-002	1	OUTER DOOR ASM, W/LOGO, BK
NI	016854-003	1	OUTER DOOR ASM, W/LOGO, BT
NI	016854-004	1	OUTER DOOR ASM, W/LOGO, SG
NI	016854-005	1	OUTER DOOR ASM, W/LOGO, GG
NI	016854-006	1	OUTER DOOR ASM, W/LOGO, WH
NI	016854-008	1	OUTER DOOR ASM, W/LOGO, BU
NI	016854-009	1	OUTER DOOR ASM, W/LOGO, LE
NI	016854-010	1	OUTER DOOR ASM, W/LOGO, MJ
NI	016854-012	1	OUTER DOOR ASM, W/LOGO, VB
NI	016854-013	1	OUTER DOOR ASM, W/LOGO, CB
NI	016854-015	1	OUTER DOOR ASM, W/LOGO, PL
NI	016854-016	1	OUTER DOOR ASM, W/LOGO, CH
NI	016854-017	1	OUTER DOOR ASM, W/LOGO, TP
NI	016854-018	1	OUTER DOOR ASM, W/LOGO, CW
NI	016854-019	1	OUTER DOOR ASM, W/LOGO, OG
NI	016854-020	1	OUTER DOOR ASM, W/LOGO, GM
NI	016854-021	1	OUTER DOOR ASM, W/LOGO, SA
NI	016854-022	1	OUTER DOOR ASM, W/LOGO, SE
NI	016854-023	1	OUTER DOOR ASM, W/LOGO, IB
NI	016854-024	1	OUTER DOOR ASM, W/LOGO, AR
NI	016854-025	1	OUTER DOOR ASM, W/LOGO, RR
NI	016854-026	1	OUTER DOOR ASM, W/LOGO, PM
NI	016854-027	1	OUTER DOOR ASM, W/LOGO, MS
NI	014220-000	1	DOOR ASM (SS) W/ LOGO
NI	016853-002	1	DOOR ASM, W/LOGO, BK
NI	016853-003	1	DOOR ASM, W/LOGO, BT
NI	016853-004	1	DOOR ASM, W/LOGO, SG
NI	016853-005	1	DOOR ASM, W/LOGO, GG
NI	016853-006	1	DOOR ASM, W/LOGO, WH
NI	016853-008	1	DOOR ASM, W/LOGO, BU
NI	016853-009	1	DOOR ASM, W/LOGO, LE
NI	016853-010	1	DOOR ASM, W/LOGO, MJ
NI	016853-012	1	DOOR ASM, W/LOGO, VB
NI	016853-013	1	DOOR ASM, W/LOGO, CB
NI	016853-015	1	DOOR ASM, W/LOGO, PL
NI	016853-016	1	DOOR ASM, W/LOGO, CH
NI	016853-017	1	DOOR ASM, W/LOGO, TP

Ref #	Part Number	Qty.	Description
NI	016853-017	1	DOOR ASM, W/LOGO, TP
NI	016853-018	1	DOOR ASM, W/LOGO, CW
NI	016853-019	1	DOOR ASM, W/LOGO, OG
NI	016853-020	1	DOOR ASM, W/LOGO, GM
NI	016853-021	1	DOOR ASM, W/LOGO, SA
NI	016853-022	1	DOOR ASM, W/LOGO, SE
NI	016853-023	1	DOOR ASM, W/LOGO, IB
NI	016853-024	1	DOOR ASM, W/LOGO, AR
NI	016853-025	1	DOOR ASM, W/LOGO, RR
NI	016853-026	1	DOOR ASM, W/LOGO, PM
NI	016853-027	1	DOOR ASM, W/LOGO, MS

*No Image
Available*

Ref #	Part Number	Qty.	Description
NI	PE070884	1	TOUCH CONTROL LOWER RELAY HARNESS
NI	PE070845	1	TOUCH CONTROL KEYBOARD HARNESS
NI	PE070846	1	TOUCH CONTROL DISPLAY HARNESS
NI	005293-000	1	MODEL 6 HEADER