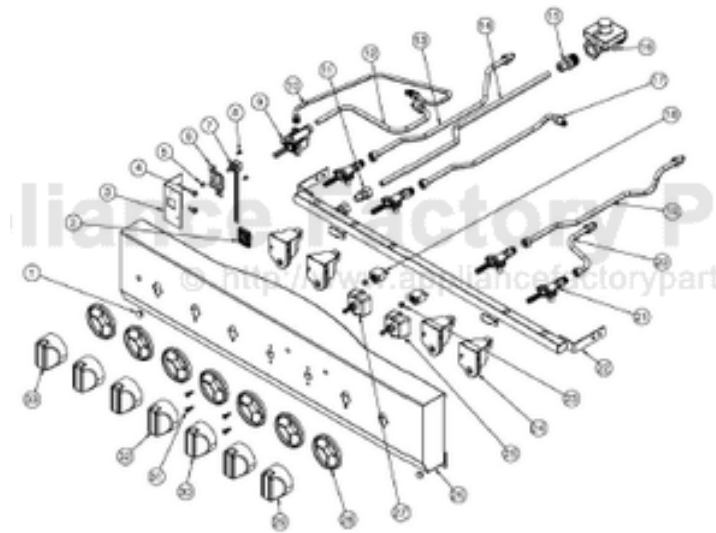


This Owner's Manual is provided and hosted by [Appliance Factory Parts](#).



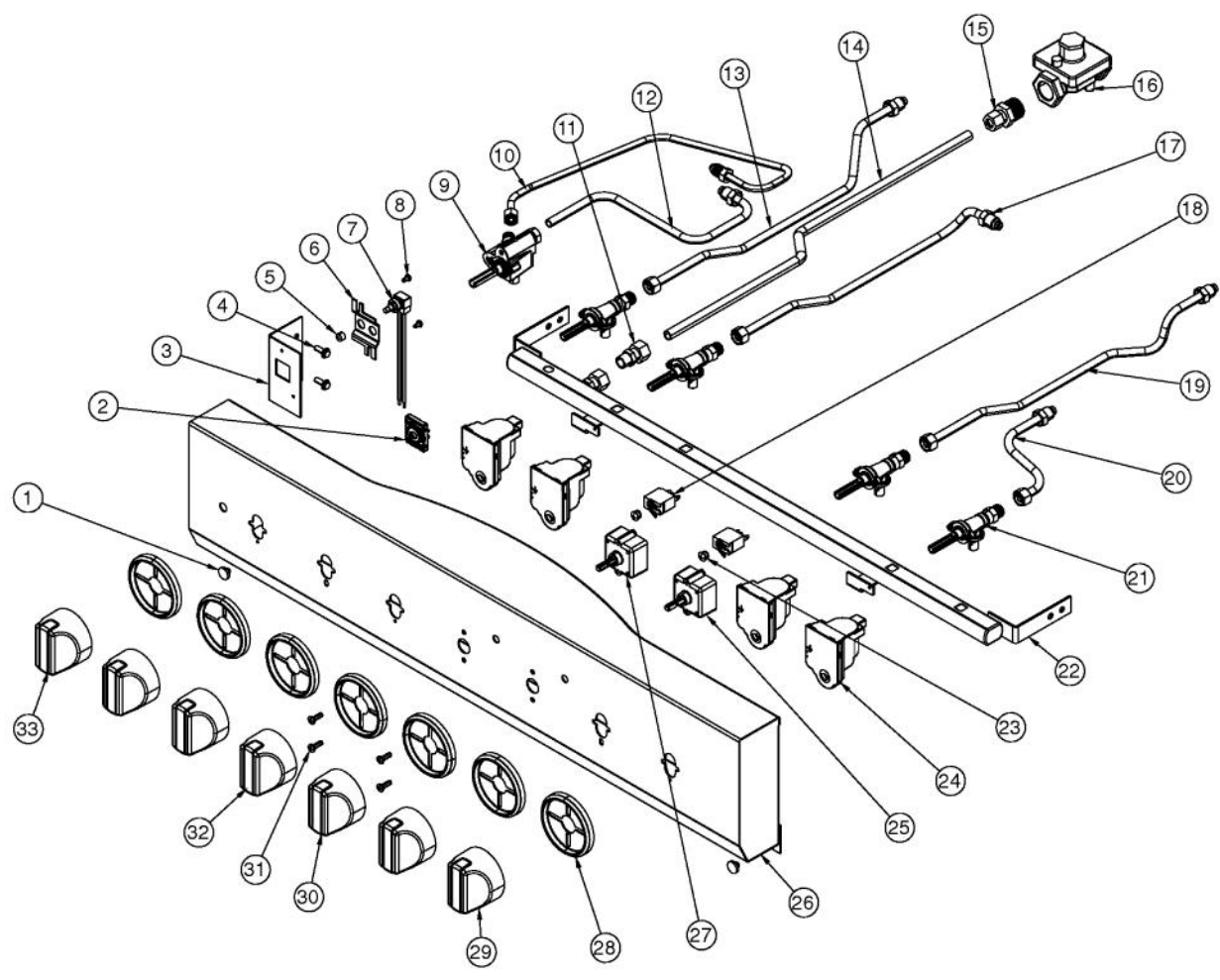
# VIKING RDSCD2305B Owner's Manual

[Shop genuine replacement parts for VIKING  
RDSCD2305B](#)

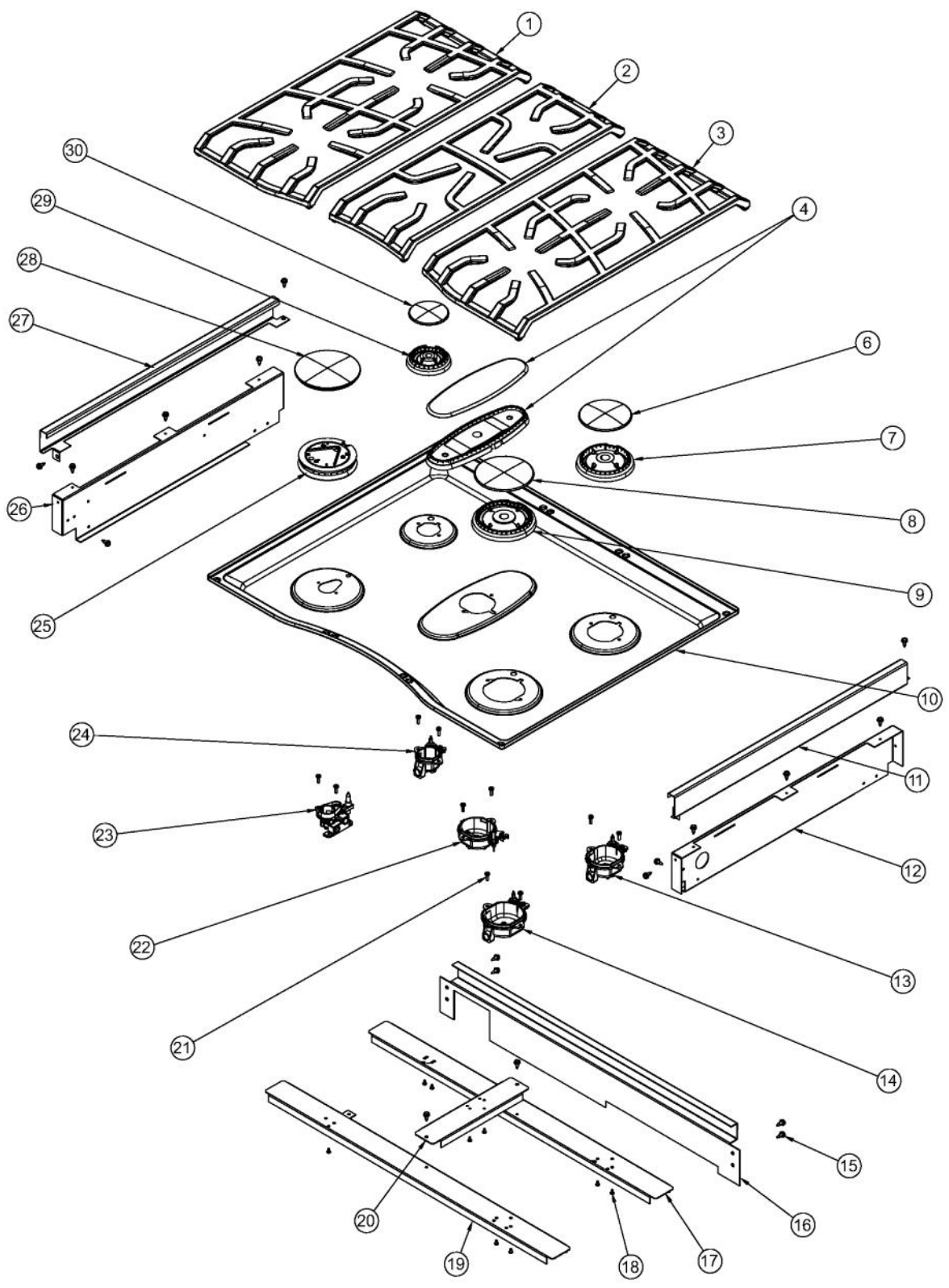


[Find Your VIKING Range Hoods Parts - Select From 411 Models](#)

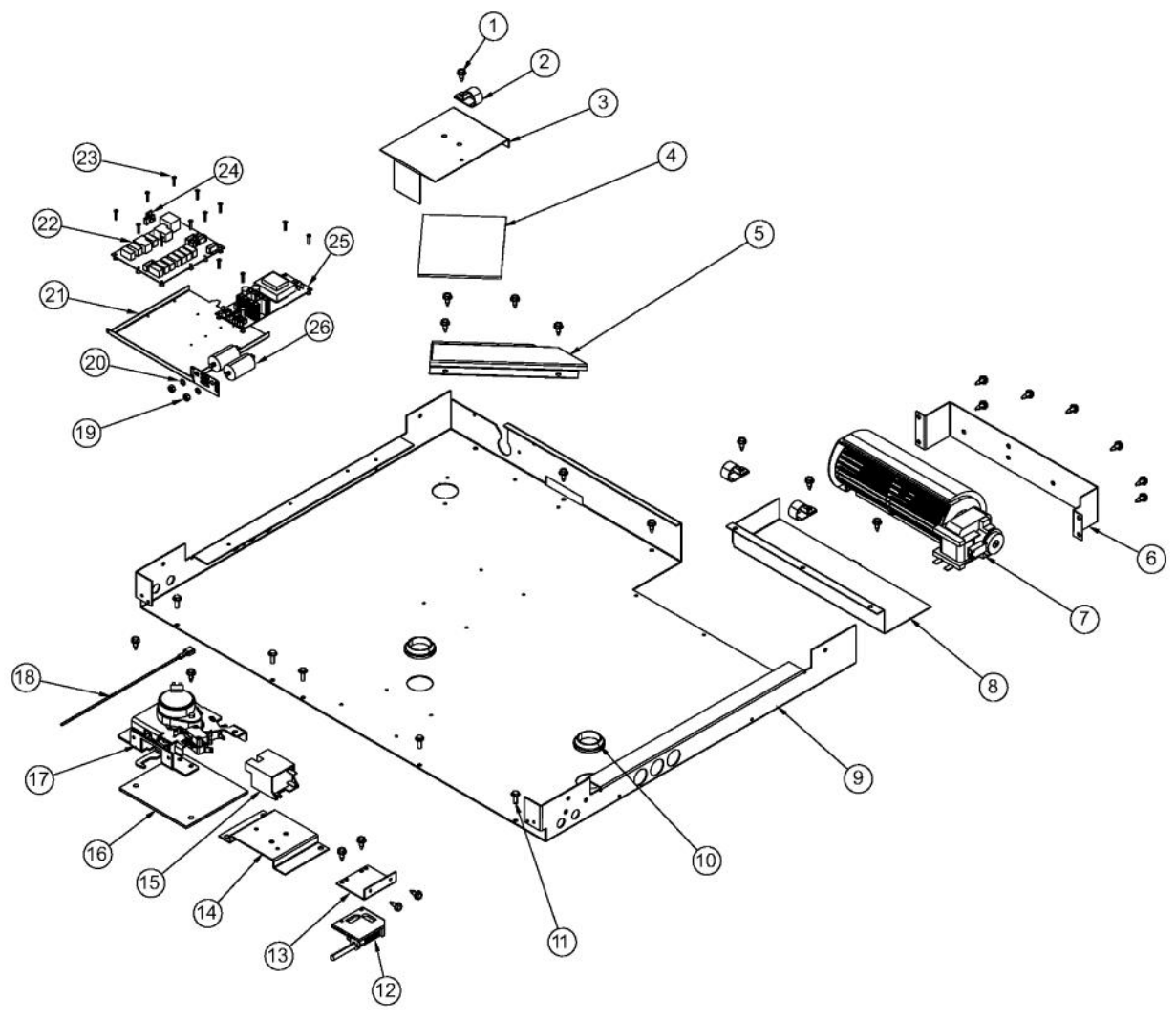
----- Manual continues below -----



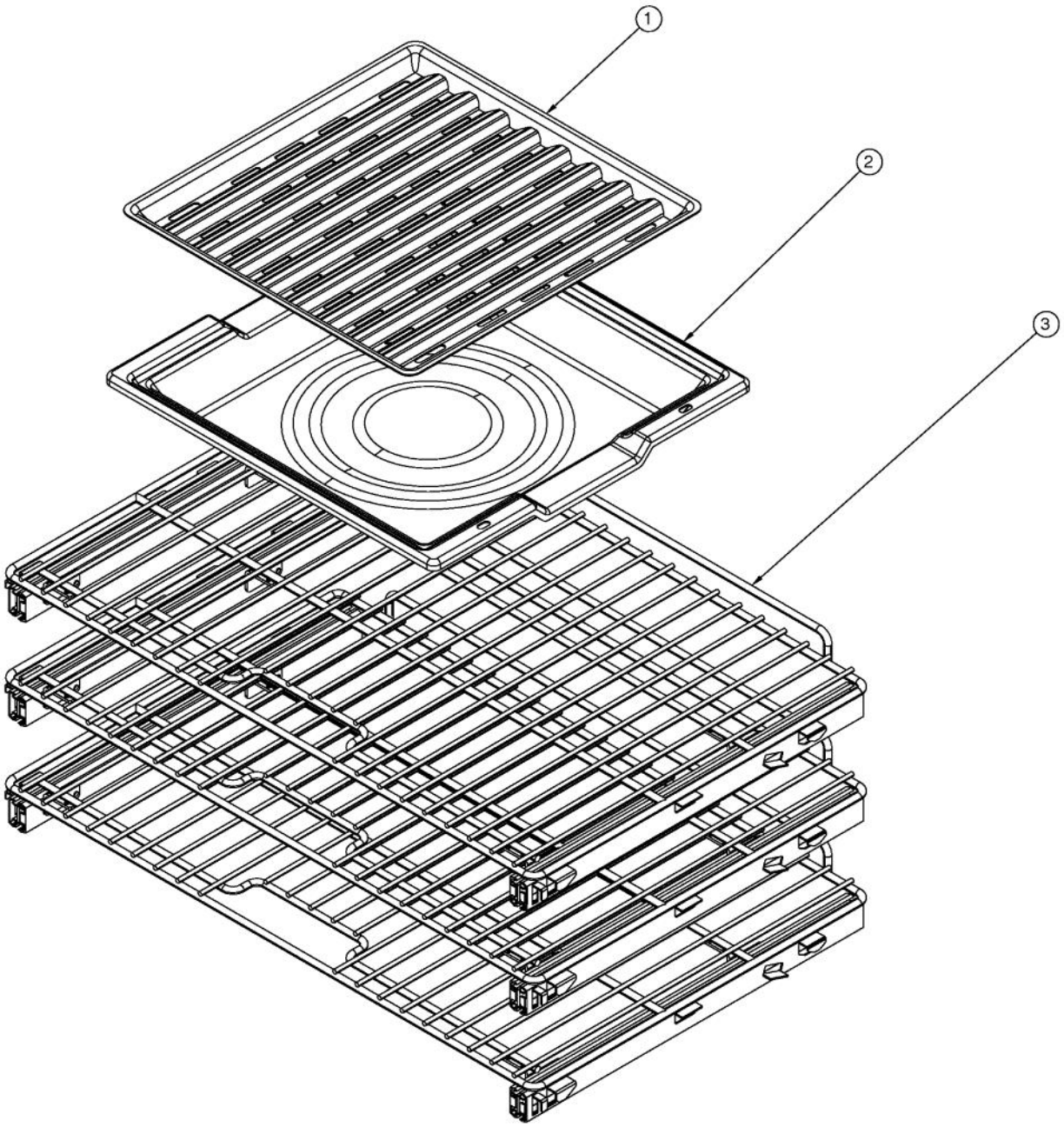
Ref #	Part Number	Qty.	Description
1	PD040004	2	GROMMET BUMPER
2	PA020045	1	IGNITOR SWITCH
3	031462-000	1	BRACKET, LIGHT SWITCH
4	PD020048	2	NO.10 X 1/2 TEK 410 SS SCREW
5	PA010093	1	DESIGNER OVEN LT SWITCH KNOB
6	020474-000	1	BRACKET, SW
7	G40015469	1	LIGHT SWITCH ASSEMBLY
8	PD020006	2	NO.6-32 X 1/4 PH.PAN HD. T(F)
9	032942-000	1	VALVE, STACK BURNER, 18000 BTU
10	031387-000	1	TUBING, LF BURNER
11	034765-000	1	FITTING, COMPRESSION, CC, 3/8
12	031380-000	1	TUBING ASM, STACK BURNER
13	031388-000	1	TUBING, LR BURNER
14	039214-000	1	TUBING, FLEX, SST, 18
15	000845-000	1	1/2 COMP TO 1/2 MALE NPT ADAPTER
16	PA0700001	1	REGULATOR
17	031400-000	1	TUBING, FISH BURNER
18	015170-000	2	HOUSING, LIGHT, BLUE NEON, 125V
19	031392-000	1	TUBING, RR BURNER
20	031393-000	1	TUBING, RF BURNER
21	031804-000	4	VALVE, TOP BURNER
22	031297-000	1	MANIFOLD, 30
23	015043-000	2	INDICATOR, LIGHT, BLUE LED
24	PA020058	4	IRIS SINGLE SPARK MODULE
25	PJ030035	1	THERMOSTAT
26	039090-2393	1	PANEL, CTRL, RDSCD/RDSCG230 ASM
27	PJ030033	1	SELECTOR (10 POS)
28	031469-000	7	BEZEL, KNOB, RANGE, BLADE, D3
29	031498-000	4	KNOB ASM, GAS VALVE
30	031502-000	1	KNOB, THERMOSTAT, D3
31	PD020261	4	NO.8-32X1/2 PH PANHEAD MACH. SCREW
32	031550-000	1	KNOB, SELECTOR, D3
33	032314-000	1	KNOB ASM, STACKED GAS VALV



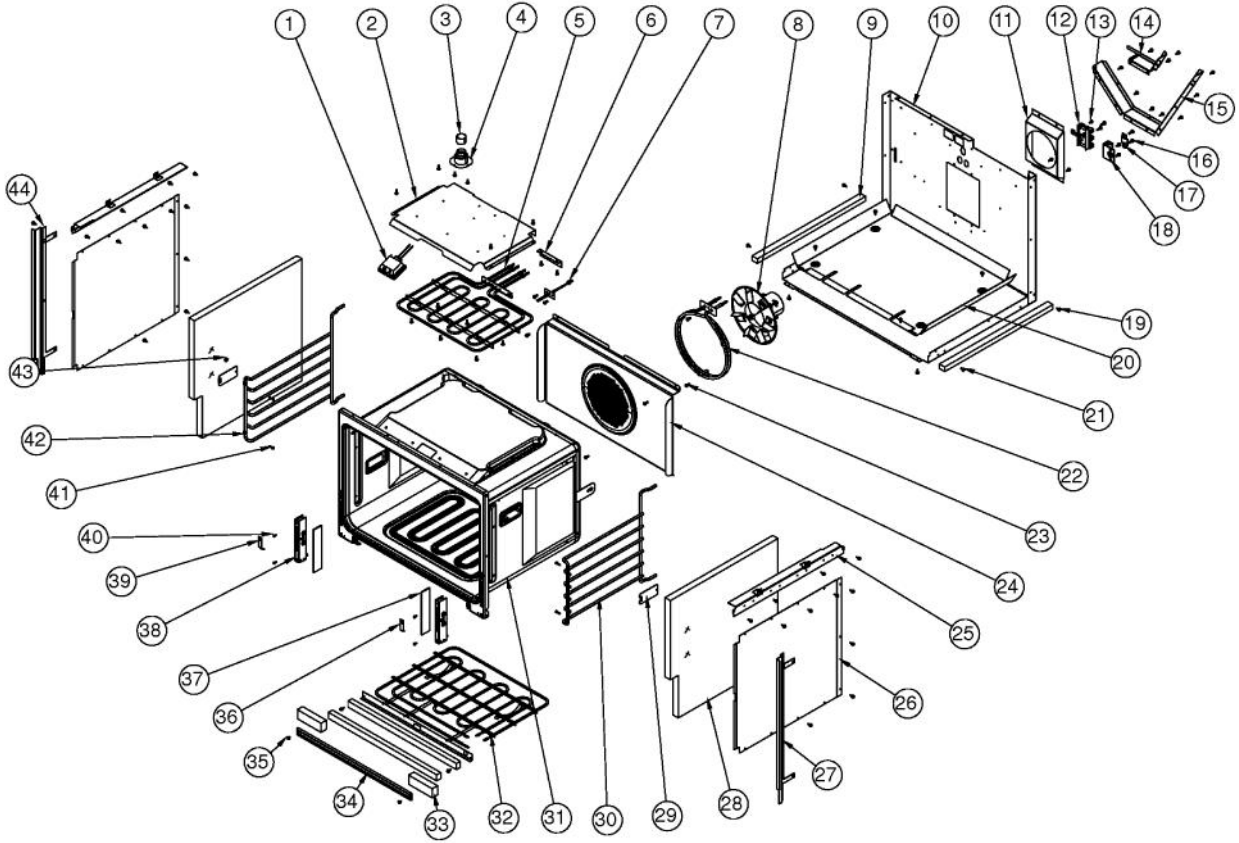
Ref #	Part Number	Qty.	Description
1	031224-000	1	GRATE ASM, LH
2	031225-000	1	GRATE ASM, CENTER
3	031223-000	1	GRATE ASM, RH
4	030984-000	1	FISH BURNER, 92000 BTU
6	031413-000	1	BURNER CAP, 12000 BTU
7	031417-000	1	BURNER HEAD, 12000 BTU
8	031412-000	1	BURNER CAP, 18000 BTU
9	031416-000	1	BURNER HEAD, 18000 BTU
10	030938-402	1	30 D3 SEALED TOP W/BK PORCELAIN
11	013986-000	1	TRIM, SIDE, RT D130
12	031073-000	1	PANEL, BURNER BOX SIDE, RH
13	030973-000	1	BURNER BASE, 12000 BTU
14	031022-000	1	BURNER BASE, 18000 BTU
15	003860-000	18	NO.10-18 X .500 FASTNR,SCR,HXWH,STL,ZPLT
16	031023-000	1	SUPPORT, REAR BURNER BOX
17	031004-000	1	BURNER CHANNEL, REAR
18	PD020006	9	NO.6-32 X 1/4 PH.PAN HD. T(F)
19	031003-000	1	BURNER CHANNEL, FRONT
20	031005-000	1	BURNER CHANNEL, CENTER
21	036100-000	10	FASTNER, SCR, M4
22	030977-000	1	BURNER BASE, FISH, 9200 BTU
23	030978-000	1	BASE, STACKED BURNER
24	030974-000	1	BURNER BASE, 8000 BTU
25	031419-000	1	BURNER HEAD, STACKED
26	031074-000	1	PANEL, BURNER BOX SIDE, LH
27	014543-000	1	TRIM, SIDE, LF, DESIGNER
28	031415-000	1	BURNER CAP, STACKED
29	031418-000	1	BURNER HEAD, 8000 BTU
30	031414-000	1	BURNER CAP, 8000 BTU



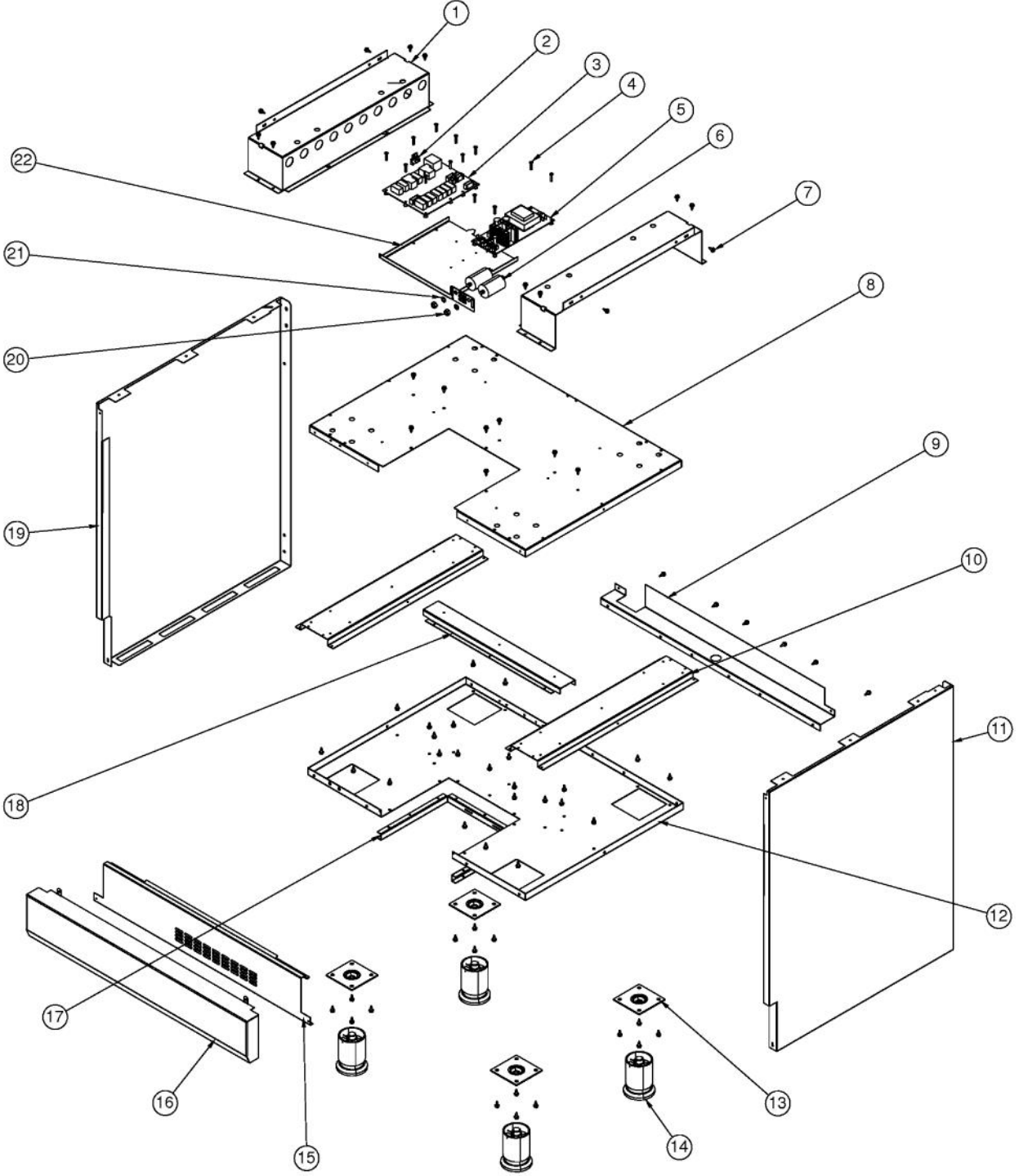
Ref #	Part Number	Qty.	Description
1	003860-000	24	NO.10-18 X .500 FASTNR,SCR,HXWH,STL,ZPLT
2	PD030109	3	INSULATED CLAMP
3	033198-000	1	TRAY, REGULATOR (BEFORE 9/25/12)
3	038705-000	1	TRAY, REGULATOR (ON OR AFTER 9/25/12)
NI	038704-000	1	REG. MTG. BRKT. (ON OR AFTER 9/25/12)
4	004285-000	1	INSULATION, FOIL-BACKED,4X5
5	003333-000	1	DUCT, FLUE
6	004110-000	1	MOUNT,BLOWER
7	PE050250	1	PREMIUM BLOWER WITH HES BEFORE 6/14/13
7	018607-000	1	FAN,BLO, 220-240V 50/60HZ ASSY AFTER 6/14/13
8	A2009659	1	BRACKET, FILLER, BLOWER
9	015615-000	1	BRACE, RNG, AIR CHANNEL
10	PB070079	2	SILICONE EXTRUSION (DGSU)
11	PD020048	5	NO.10 X 1/2 TEK 410 SS SCREW
12	PE050208	1	DOOR SWITCH
13	A20012649	1	DOOR SWITCH BRACKET
14	031821-000	1	REG. MTG. BRKT.
15	PA020037	1	SINGLE MODULE 120V
16	013564-000	1	LOWER LATCH INSULATION
17	013250-000	1	LATCH,DOOR,ASM,240V,GRIDDLE LOCKOUT
18	G4000936	1	GROUND WIRE
19	PD030172	2	M8 X 1.25MM NUT
20	PD040164	2	5/16 INTERNAL TOOTH LOCK WASHER TYPE A
21	023825-000	1	TRAY, CNTRL, EOC4 SMPS
22	014000-000	1	EOC4-CONTROL BOARD
23	PD020043	1	NO.6-32 X .750 PH. CTRSK T(F)-VGSO166
24	023002-000	1	CTRL, ASM, SINGLE OVEN LPS
25	021340-000	1	LINEAR POWER SUPPLY, SINGLE
26	PE050247	1	EBM FAN MOTOR CAPACITOR



Ref #	Part Number	Qty.	Description
1	014924-402	1	INSERT, BROILER, BLACK PORCELAIN
2	014923-402	1	PAN, BROILER, BLACK PORCELAIN
3	029891-000	3	D3 GLIDE RACK, 30

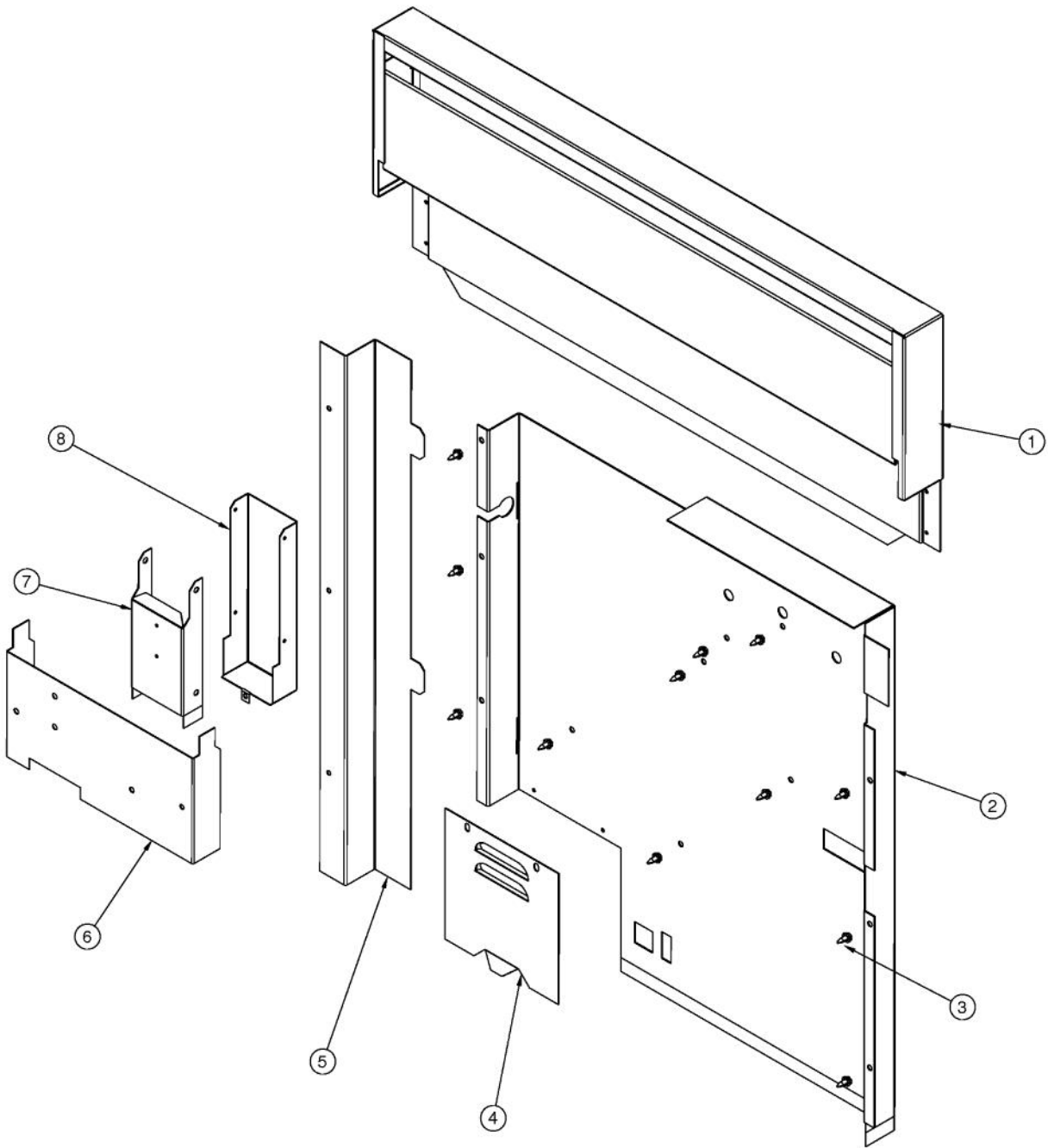


Ref #	Part Number	Qty.	Description
1	020403-000	1	BJB SLIMLINE 40W BULB
2	A20014021	1	REFLECTOR, BROIL
3	PB020275	1	VENT TUBE
4	PM010014	1	SMOKE ELIMINATOR (VDSC)
5	PJ010049	1	BROIL ELEMENT
6	A20014044	1	BROIL ELEMENT SHIELD
7	PE050206	1	RTD THERMOSTAT PROBE
8	015394-000	1	FAN, CNVN, ASM
9	013547-000	4	BAKE ELEMENT INSULATION
10	003244-000	1	OVEN BOTTOM, BACK WRAP
11	A2009697	1	BRACKET, CONVECTION INSULATION
12	PE070147	1	TERMINAL BLOCK
13	PD020010	1	10 X 3/8 GREEN GROUNDING SCREW
14	003356-000	1	DIVERTER, AIR
15	002941-000	1	BAFFLE, FAN, REAR
16	PD020014	4	10X3/4 PH TR HD SMS
17	A1002457	1	POWER CORD MOUNTING STRAP (VDSC)
18	A2002195	1	POWER CORD MOUNTING BRKT (VDSC)
19	003860-000	45	NO.10-18 X .500 FASTNR,SCR,HXWH,STL,ZPLT
20	NON-SERVICEABLE	1	TUB WELDMENT
21	003801-000	2	SHOULDER SCREW, NO.10
22	PJ010047	1	CONVECTION ELEMENT
23	PD020048	25	NO.10 X 1/2 TEK 410 SS SCREW
24	NON-SERVICEABLE	1	TUB WELDMENT
25	NON-SERVICEABLE	2	TUB WELDMENT
26	014137-000	2	WRAPPER, OVEN SIDE
27	019185-000	1	TRIM, FR, RH, DSCD
28	013528-000	2	30 SIDE INSULATION
29	032858-402	2	COVER, LT, BK PORCELAIN
30	032855-000	1	SUPPORT, RACK ASM, RH BLACK
31	NON-SERVICEABLE	1	TUB WELDMENT
32	PJ010048	1	BAKE ELEMENT
33	005255-000	2	HINGE INSULATION
34	032861-000	1	COVER, BAKE TRAY, BK PORC
35	PD020063	2	SCREW-NO.8(A) X 3/8PH WFR HD/BK OXID
36	B21010915	1	HINGE CLIP ? RH
37	013572-000	2	HINGE INSULATION
38	003060-000	2	HINGE RECEPTACLE, VDSC CUSTOM
39	B21010916	1	HINGE CLIP ? LH
40	PD020062	4	NO.8-32 X 3/8 PHMS TYPE 1
41	PD020232	4	NO.8 X 3/4 PH PAN HEAD TEK SCREW (BLACK OXIDE)
42	036220-402	1	RACK,PRO,ASM,LH, BLACK
43	032859-000	1	PLUG, HOLE BK PORCELAIN
44	019186-000	1	TRIM, FR, LH, DSCD



Ref #	Part Number	Qty.	Description
1	014241-000	2	SUPPORT, OVEN
2	023002-000	1	CTRL, ASM, SINGLE OVEN LPS
3	014000-000	1	EOC4-CONTROL BOARD
4	PD020043	13	NO.6-32 X .750 PH. CTRSK T(F)-VGSO166
5	021340-000	1	LINEAR POWER SUPPLY, SINGLE
6	PE050247	2	EBM FAN MOTOR CAPACITOR
7	003860-000	66	NO.10-18 X .500 FASTNR,SCR,HXWH,STL,ZPLT
8	003052-000	1	BASE TOP PLATE
9	014240-000	1	LEDGE, BACK
10	NON-SERVICEABLE	2	TUB WELDMENT
11	032813-000	1	PANEL, SIDE, RH, D3, SS
11	035006-002	1	PNL, SIDE, RH, D3 - BK
11	035006-003	1	PANEL, SIDE, RH, D3, BT
11	035006-004	1	PANEL, SIDE, RH, D3, SG
11	035006-005	1	PANEL, SIDE, RH, D3, GG
11	035006-006	1	PNL, SIDE, RH, D3 - WH
11	035006-008	1	PANEL, SIDE, RH, D3, BU
11	035006-009	1	PANEL, SIDE, RH, D3, LE
11	035006-010	1	PANEL, SIDE, RH, D3, MJ
11	035006-012	1	PANEL, SIDE, RH, D3, VB
11	035006-013	1	PANEL, SIDE, RH, D3, CB
11	035006-015	1	PANEL, SIDE, RH, D3, PL
11	035006-016	1	PANEL, SIDE, RH, D3, CH
11	035006-017	1	PANEL, SIDE, RH, D3, TP
11	035006-018	1	PANEL, SIDE, RH, D3, CW
11	035006-021	1	PANEL, SIDE, RH, D3, SA
11	035006-022	1	PANEL, SIDE, RH, D3, SE
11	035006-023	1	PANEL, SIDE, RH, D3, IB
11	035006-024	1	PANEL, SIDE, RH, D3, AR
11	035006-025	1	PANEL, SIDE, RH, D3, RR
11	035006-051	1	PANEL, SIDE, RH, D3, CN
11	035006-052	1	PANEL, SIDE, RH, D3, DJ
11	035006-053	1	PANEL, SIDE, RH, D3, KB
11	035006-054	1	PANEL, SIDE, RH, D3, WS
12	003051-000	1	BASE LOWER PLATE
13	PC030007	4	LEG PLATE - 3/4 THREADED HOLE
14	PC030031	4	ADJUSTABLE LEG
15	014246-000	1	GRILL, LOWER
16	019262-000	1	KICKPLATE, 30 DSCD/DSCE DESIGNER SS
16	038550-002	1	KICKPLATE DESIGNER, 30 BK
16	038550-006	1	KICKPLATE DESIGNER 30 - WH
16	038550-003	1	KICKPLATE DESIGNER, 30 BT
16	038550-004	1	KICKPLATE DESIGNER, 30 SG
16	038550-005	1	KICKPLATE DESIGNER, 30 GG
16	038550-008	1	KICKPLATE DESIGNER, 30 BU
16	038550-009	1	KICKPLATE DESIGNER, 30 LE
16	038550-010	1	KICKPLATE DESIGNER, 30 MJ
16	038550-012	1	KICKPLATE DESIGNER, 30 VB
16	038550-013	1	KICKPLATE DESIGNER, 30 CB
16	038550-015	1	KICKPLATE DESIGNER, 30 PL
16	038550-016	1	KICKPLATE DESIGNER, 30 CH
16	038550-017	1	KICKPLATE DESIGNER, 30 TP
16	038550-018	1	KICKPLATE DESIGNER, 30 CW
16	038550-021	1	KICKPLATE DESIGNER, 30 SA
16	038550-022	1	KICKPLATE DESIGNER, 30 SE
16	038550-023	1	KICKPLATE DESIGNER, 30 IB
16	038550-024	1	KICKPLATE DESIGNER, 30 AR
16	038550-025	1	KICKPLATE DESIGNER, 30 RR
16	038550-051	1	KICKPLATE DESIGNER, 30 CN
16	038550-052	1	KICKPLATE DESIGNER, 30 DJ

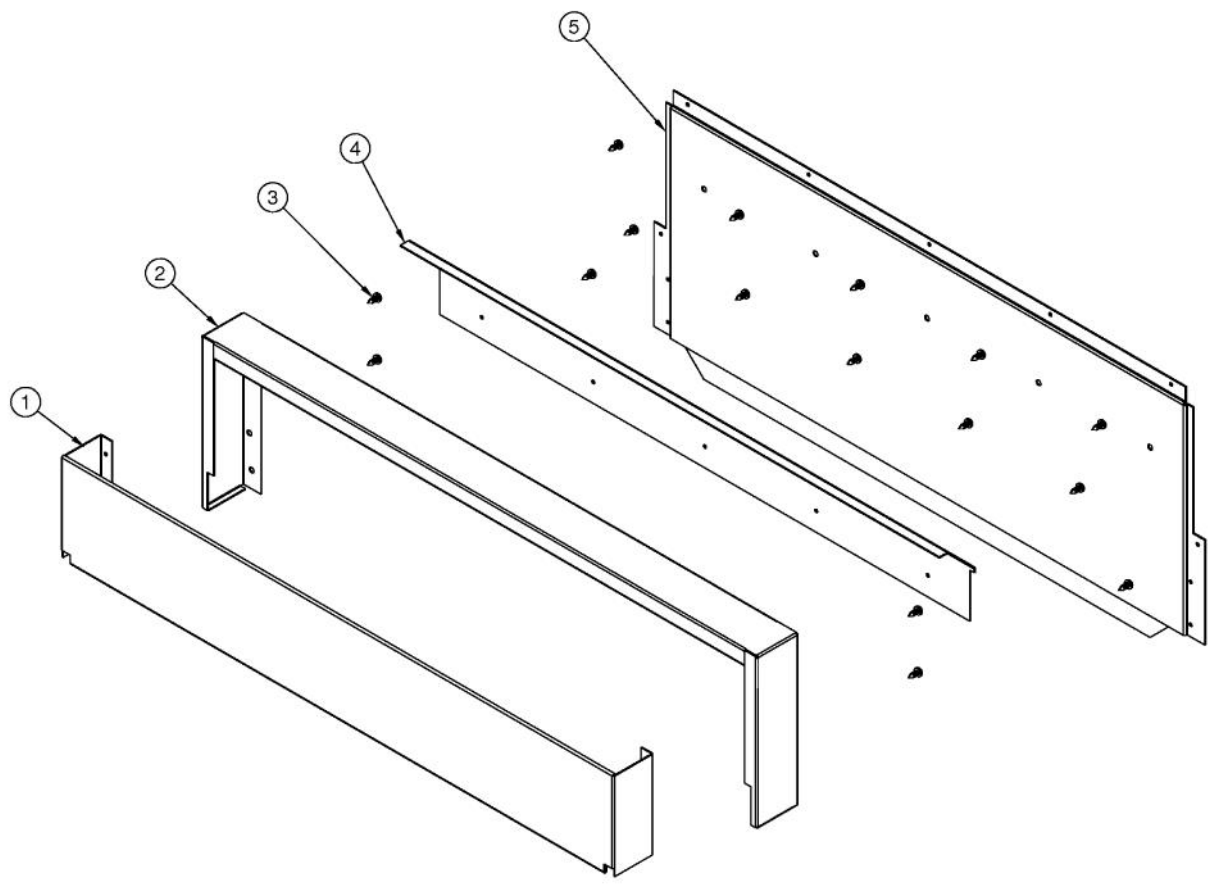
Ref #	Part Number	Qty.	Description
16	038550-052	1	KICKPLATE DESIGNER, 30 DJ
16	038550-054	1	KICKPLATE DESIGNER, 30 WS
17	NON-SERVICEABLE	2	TUB WELDMENT
18	NON-SERVICEABLE	1	TUB WELDMENT
19	032816-000	1	PANEL, SIDE, LH, D3, SS
19	035005-002	1	PNL, SIDE, LH, D3 - BK
19	035005-003	1	PANEL, SIDE, LH, D3, BT
19	035005-004	1	PANEL, SIDE, LH, D3, SG
19	035005-005	1	PANEL, SIDE, LH, D3, GG
19	035005-006	1	PNL, SIDE, LH, D3 - WH
19	035005-008	1	PANEL, SIDE, LH, D3, BU
19	035005-009	1	PANEL, SIDE, LH, D3, LE
19	035005-010	1	PANEL, SIDE, LH, D3, MJ
19	035005-012	1	PANEL, SIDE, LH, D3, VB
19	035005-013	1	PANEL, SIDE, LH, D3, CB
19	035005-015	1	PANEL, SIDE, LH, D3, PL
19	035005-016	1	PANEL, SIDE, LH, D3, CH
19	035005-017	1	PANEL, SIDE, LH, D3, TP
19	035005-018	1	PANEL, SIDE, LH, D3, CW
19	035005-021	1	PANEL, SIDE, LH, D3, SA
19	035005-022	1	PANEL, SIDE, LH, D3, SE
19	035005-023	1	PANEL, SIDE, LH, D3, IB
19	035005-024	1	PANEL, SIDE, LH, D3, AR
19	035005-025	1	PANEL, SIDE, LH, D3, RR
19	035005-051	1	PANEL, SIDE, LH, D3, CN
19	035005-052	1	PANEL, SIDE, LH, D3, DJ
19	035005-053	1	PANEL, SIDE, LH, D3, KB
19	035005-054	1	PANEL, SIDE, LH, D3, WS
20	PD030172	2	M8 X 1.25MM NUT
21	PD040164	2	5/16 INTERNAL TOOTH LOCK WASHER TYPE A
22	023825-000	1	TRAY, CNTRL, EOC4 SMPS



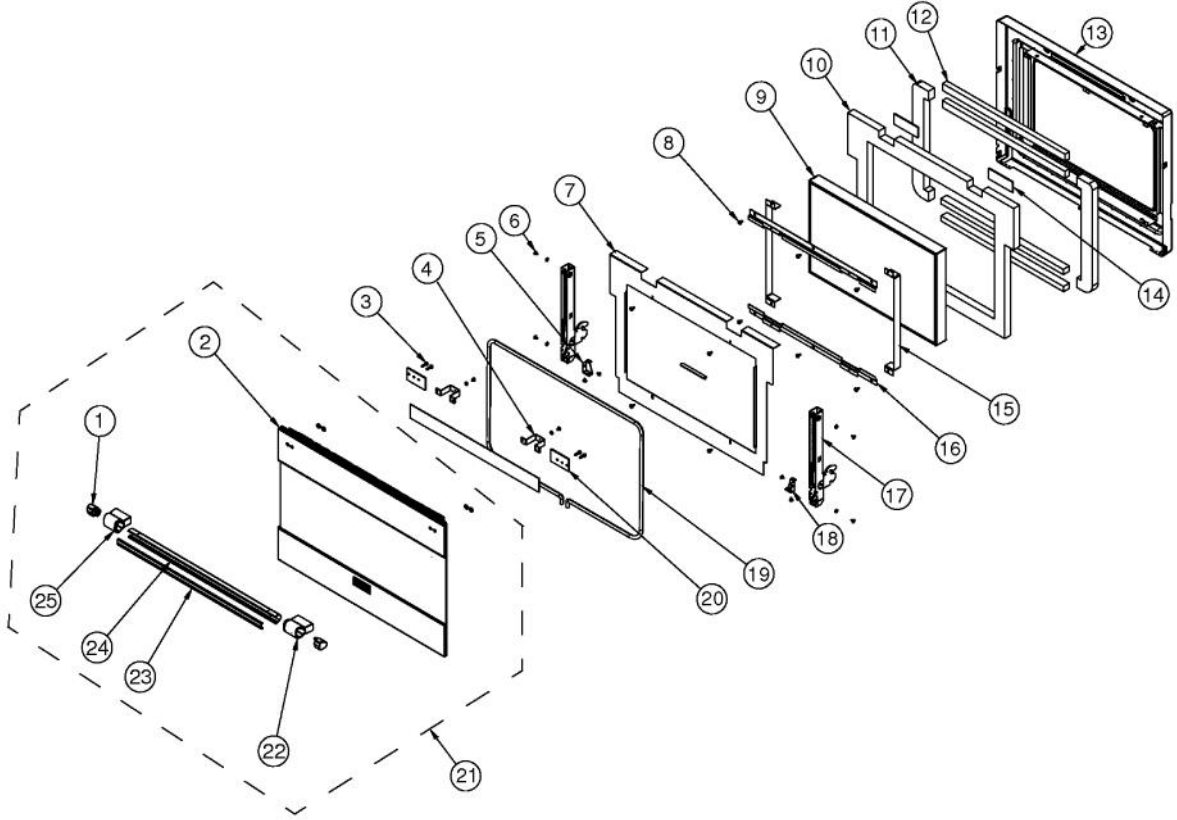
Ref #	Part Number	Qty.	Description
1	033330-000	1	30 D3 BACKGUARD, ASM
2	003272-000	1	COVER, REAR
3	003860-000	12	NO.10-18 X .500 FASTNR,SCR,HXWH,STL,ZPLT
4	A2002454	1	BACK COVER ACCESS DOOR
5	015607-000	1	CHANNEL, WIRE, DSCD
6	14553-000	1	DUCT, AIR
7	014554-000	1	BOX, FLUE, FRONT
8	A20010101	1	FLUE, OUTSIDE SHELL

*No Image  
Available*

Ref #	Part Number	Qty.	Description
NI	032965-000	1	D3 ISLAND TRIM ASM



Ref #	Part Number	Qty.	Description
1	033332-000	1	30 D3 BACKGUARD, FRONT
2	033331-000	1	30 D3 BACKGUARD, FRAME
3	PD020055	16	NO.10 X 1/2 PAN PHIL. TEK. SS
4	033334-000	1	BACKGUARD DEFLECTOR
5	033333-000	1	30 D3 BACKGUARD, BACK



Ref #	Part Number	Qty.	Description
1	028002-000	2	CAP, HANDLE, D3
2	039287-000	1	SKIN ASM, DOOR, W/LOGO, SS
2	039286-002	1	SKIN ASM, DOOR, W/LOGO, BK
2	039286-003	1	SKIN ASM, DOOR, W/LOGO, BT
2	039286-004	1	SKIN ASM, DOOR, W/LOGO, SG
2	039286-005	1	SKIN ASM, DOOR, W/LOGO, GG
2	039286-006	1	SKIN ASM, DOOR, W/LOGO, WH
2	039286-008	1	SKIN ASM, DOOR, W/LOGO, BU
2	039286-009	1	SKIN ASM, DOOR, W/LOGO, LE
2	039286-010	1	SKIN ASM, DOOR, W/LOGO, MJ
2	039286-012	1	SKIN ASM, DOOR, W/LOGO, VB
2	039286-013	1	SKIN ASM, DOOR, W/LOGO, CB
2	039286-015	1	SKIN ASM, DOOR, W/LOGO, PL
2	039286-016	1	SKIN ASM, DOOR, W/LOGO, CH
2	039286-017	1	SKIN ASM, DOOR, W/LOGO, TP
2	039286-018	1	SKIN ASM, DOOR, W/LOGO, TP
2	039286-021	1	SKIN ASM, DOOR, W/LOGO, SA
2	039286-022	1	SKIN ASM, DOOR, W/LOGO, SE
2	039286-023	1	SKIN ASM, DOOR, W/LOGO, IB
2	039286-024	1	SKIN ASM, DOOR, W/LOGO, AR
2	039286-025	1	SKIN ASM, DOOR, W/LOGO, RR
2	039286-051	1	SKIN ASM, DOOR, W/LOGO, CN
2	039286-052	1	SKIN ASM, DOOR, W/LOGO, DJ
2	039286-053	1	SKIN ASM, DOOR, W/LOGO, KB
2	039286-054	1	SKIN ASM, DOOR, W/LOGO, WS
3	PD020063	10	SCREW-NO.8(A) X 3/8PH WFR HD/BK OXID
4	015310-000	2	HANDLE BRACKET SPACER
5	006808-000	1	HINGE, BRKT, LH
6	PD020002	10	10 X 1/2 PH.TR.HD.SMS.
7	004152-000	1	DOOR LINER INSULATION RETAINER, 30
8	PD020032	5	SRW-8(A)X3/8PH.WFR HD 7/16DIAXNCL
9	PE060094	1	30 WINDOW PACK
10	017752-000	1	INSULATION, DOOR LINER
11	013558-000	2	SIDE DOOR PLUG INSULATION
12	013547-000	4	BAKE ELEMENT INSULATION
13	032850-000	1	LINER, DOOR ASM, BK PORC
14	013567-000	2	DOOR BRACKET INSULATION
15	023044-000	2	STRAP, WDO
16	004153-000	2	DOOR GLASS HOLDER BRACKET
17	002740-000	2	MANSFIELD HINGE, BLUE SPRING
18	006807-000	1	HINGE, BRKT, RH
19	PB070246	1	30 DOOR GASKET
20	008971-000	2	SPACER, DOOR, HANDLE
21	030983-000	1	OUTER DOOR ASM, D3 RANGE 30
21	035278-002	1	OUTER DOOR PANEL ASM, 30 D3, BK
21	035278-003	1	OUTER DOOR PANEL ASM, 30 D3, BT
21	035278-004	1	OUTER DOOR PANEL ASM, 30 D3, SG
21	035278-005	1	OUTER DOOR PANEL ASM, 30 D3, GG
21	035278-006	1	OUTER DOOR PANEL ASM, 30 D3, WH
21	035278-008	1	OUTER DOOR PANEL ASM, 30 D3, BU
21	035278-009	1	OUTER DOOR PANEL ASM, 30 D3, LE
21	035278-010	1	OUTER DOOR PANEL ASM, 30 D3, MJ
21	035278-012	1	OUTER DOOR PANEL ASM, 30 D3, VB
21	035278-013	1	OUTER DOOR PANEL ASM, 30 D3, CB
21	035278-015	1	OUTER DOOR PANEL ASM, 30 D3, PL
21	035278-016	1	OUTER DOOR PANEL ASM, 30 D3, CH
21	035278-017	1	OUTER DOOR PANEL ASM, 30 D3, TP
21	035278-018	1	OUTER DOOR PANEL ASM, 30 D3, TP
21	035278-021	1	OUTER DOOR PANEL ASM, 30 D3, SA
21	035278-022	1	OUTER DOOR PANEL ASM, 30 D3, SE

Ref #	Part Number	Qty.	Description
21	035278-022	1	OUTER DOOR PANEL ASM, 30 D3, SE
21	035278-023	1	OUTER DOOR PANEL ASM, 30 D3, IB
21	035278-024	1	OUTER DOOR PANEL ASM, 30 D3, AR
21	035278-025	1	OUTER DOOR PANEL ASM, 30 D3, RR
21	035278-051	1	OUTER DOOR PANEL ASM, 30 D3, CN
21	035278-052	1	OUTER DOOR PANEL ASM, 30 D3, DJ
21	035278-053	1	OUTER DOOR PANEL ASM, 30 D3, KB
21	035278-054	1	OUTER DOOR PANEL ASM, 30 D3, WS
22	028000-000	1	ENDCAP, RH, D3
23	027988-000	1	INSERT, D3 30 HANDLE
24	027986-000	1	HANDLE, D3 30
25	028001-000	1	ENDCAP, LH,D3
NI	031162-000	1	DOOR ASM, D3 ELEC RANGE 30, SS
NI	035279-002	1	DOOR ASM, 30 D3 ELEC OVEN, BK
NI	035279-003	1	DOOR ASM, 30 D3 ELEC OVEN, BT
NI	035279-004	1	DOOR ASM, 30 D3 ELEC OVEN, SG
NI	035279-005	1	DOOR ASM, 30 D3 ELEC OVEN, GG
NI	035279-006	1	DOOR ASM, 30 D3 ELEC OVEN, WH
NI	035279-008	1	DOOR ASM, 30 D3 ELEC OVEN, BU
NI	035279-009	1	DOOR ASM, 30 D3 ELEC OVEN, LE
NI	035279-010	1	DOOR ASM, 30 D3 ELEC OVEN, MJ
NI	035279-012	1	DOOR ASM, 30 D3 ELEC OVEN, VB
NI	035279-013	1	DOOR ASM, 30 D3 ELEC OVEN, CB
NI	035279-015	1	DOOR ASM, 30 D3 ELEC OVEN, PL
NI	035279-016	1	DOOR ASM, 30 D3 ELEC OVEN, CH
NI	035279-017	1	DOOR ASM, 30 D3 ELEC OVEN, TP
NI	035279-018	1	DOOR ASM, 30 D3 ELEC OVEN, CW
NI	035279-021	1	DOOR ASM, 30 D3 ELEC OVEN, SA
NI	035279-022	1	DOOR ASM, 30 D3 ELEC OVEN, SE
NI	035279-023	1	DOOR ASM, 30 D3 ELEC OVEN, IB
NI	035279-024	1	DOOR ASM, 30 D3 ELEC OVEN, AR
NI	035279-025	1	DOOR ASM, 30 D3 ELEC OVEN, RR
NI	035279-051	1	DOOR ASM, 30 D3 ELEC OVEN, CN
NI	035279-052	1	DOOR ASM, 30 D3 ELEC OVEN, DJ
NI	035279-053	1	DOOR ASM, 30 D3 ELEC OVEN, KB
NI	035279-054	1	DOOR ASM, 30 D3 ELEC OVEN, WS

*No Image  
Available*

Ref #	Part Number	Qty.	Description
NI	035267-000	1	LR INJECTOR, LP, 0.79 MM
NI	036165-000	1	LF-HIGH INJECTOR, LP, 1.09 MM
NI	035266-000	1	LF-LOW INJECTOR, LP, 0.33 MM
NI	041847-000	1	D3 LP ORIFICE KIT FOR TC-0086-SP BULLITEN (BUILT PRIOR TO 01/03-13)
NI	035268-000	1	CENTER-INJECTOR, LP, 0.87 MM
NI	035265-000	1	RF INJECTOR, LP, 1.19 MM
NI	035270-000	1	RR INJECTOR, LP, 1.01 MM

*No Image  
Available*

Ref #	Part Number	Qty.	Description
NI	020019-000	1	HARNESS, WRG, CONTROL
NI	024869-000	1	RIBBON CABLE, RH
NI	024871-000	1	MAIN HARNESS
NI	023096-000	1	ADAPTER, HARN, ASM, LIGHT, SWITCH
NI	000647-000	12	IRIS IGNITOR WIRE, FRONT BURNER
NI	006766-000	2	IRIS IGNITOR WIRE, BACK BURNER
NI	023341-000	1	IRIS HARNESS 24, 30
NI	034587-000	1	HARNESS, WIRE, STACK BURNER
NI	036199-000	1	HARNESS, IGNITOR, ASM
NI	G4000936	1	GROUND WIRE
NI	PE070739	1	BAKE ELEMENT HARNESS