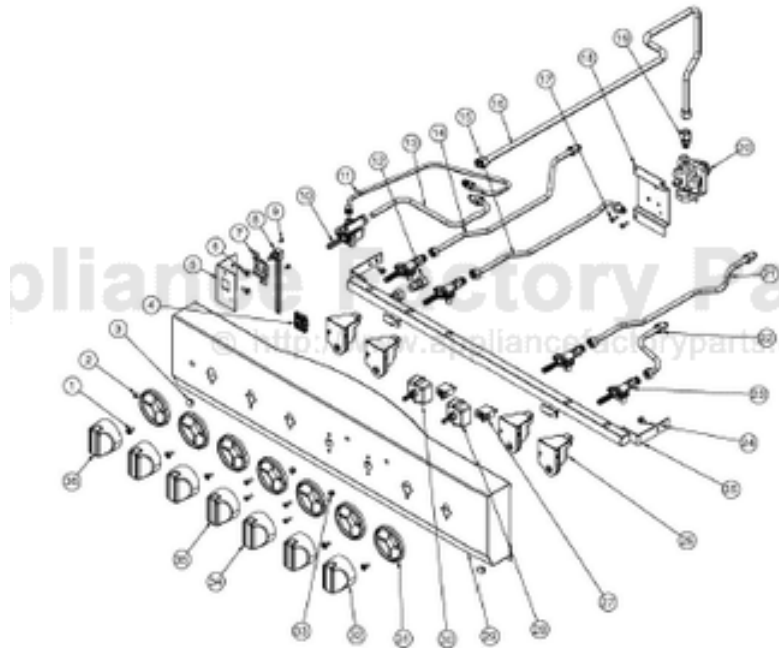


This Owner's Manual is provided and hosted by [Appliance Factory Parts](http://ApplianceFactoryParts.com).



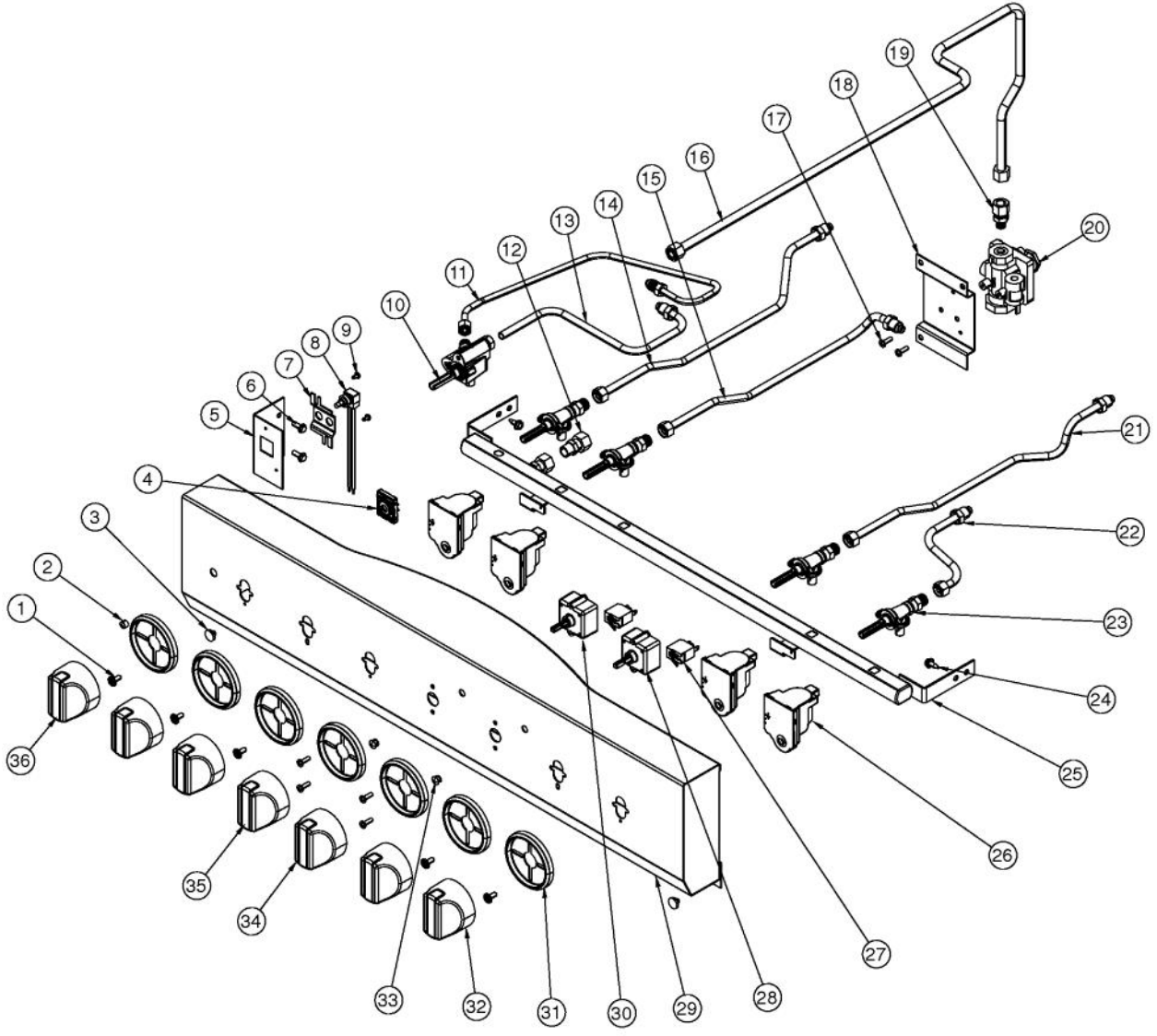
# VIKING RDSCG2305B Owner's Manual

[Shop genuine replacement parts for VIKING RDSCG2305B](#)

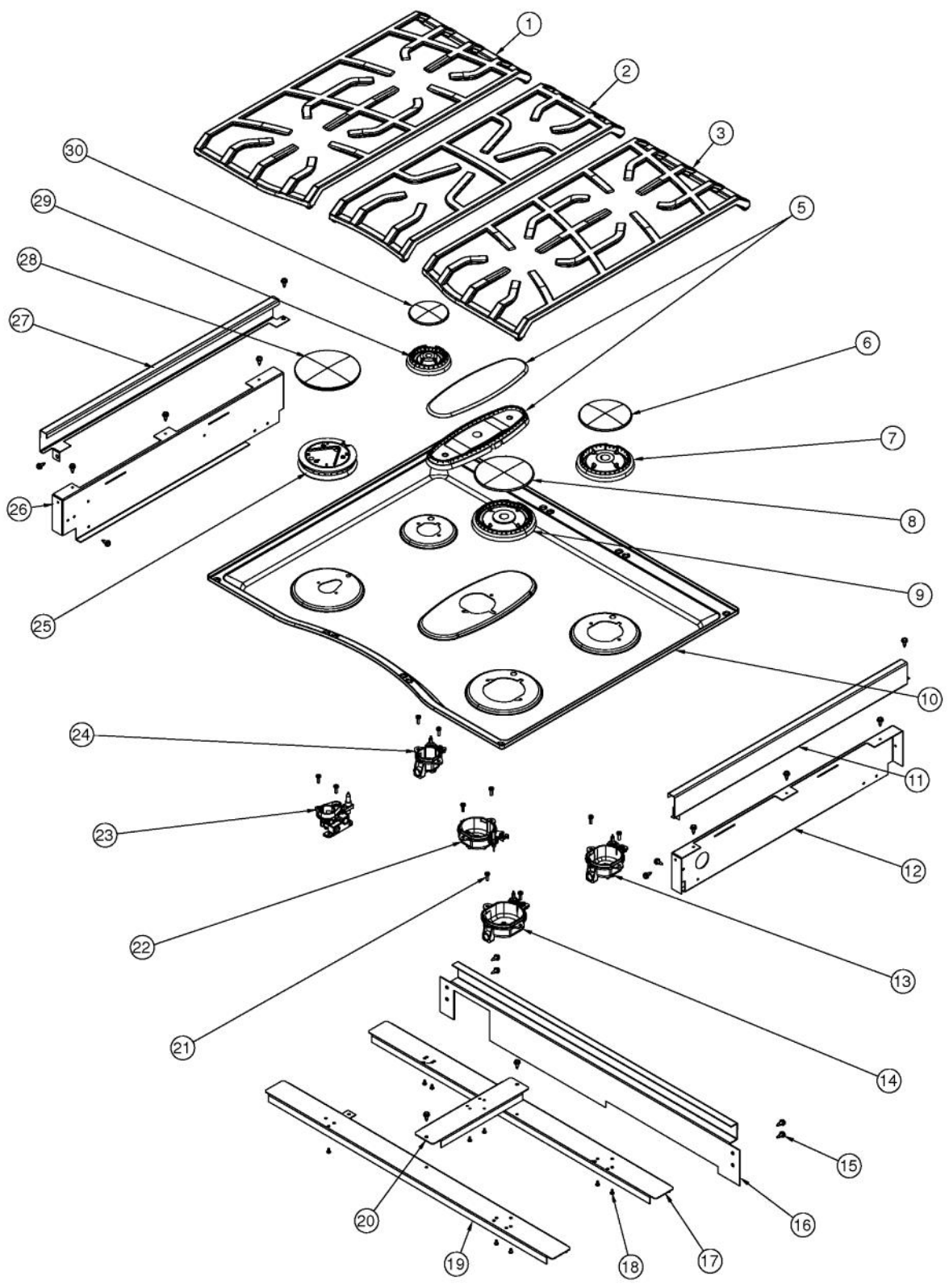


[Find Your VIKING Range Hoods Parts - Select From 411 Models](#)

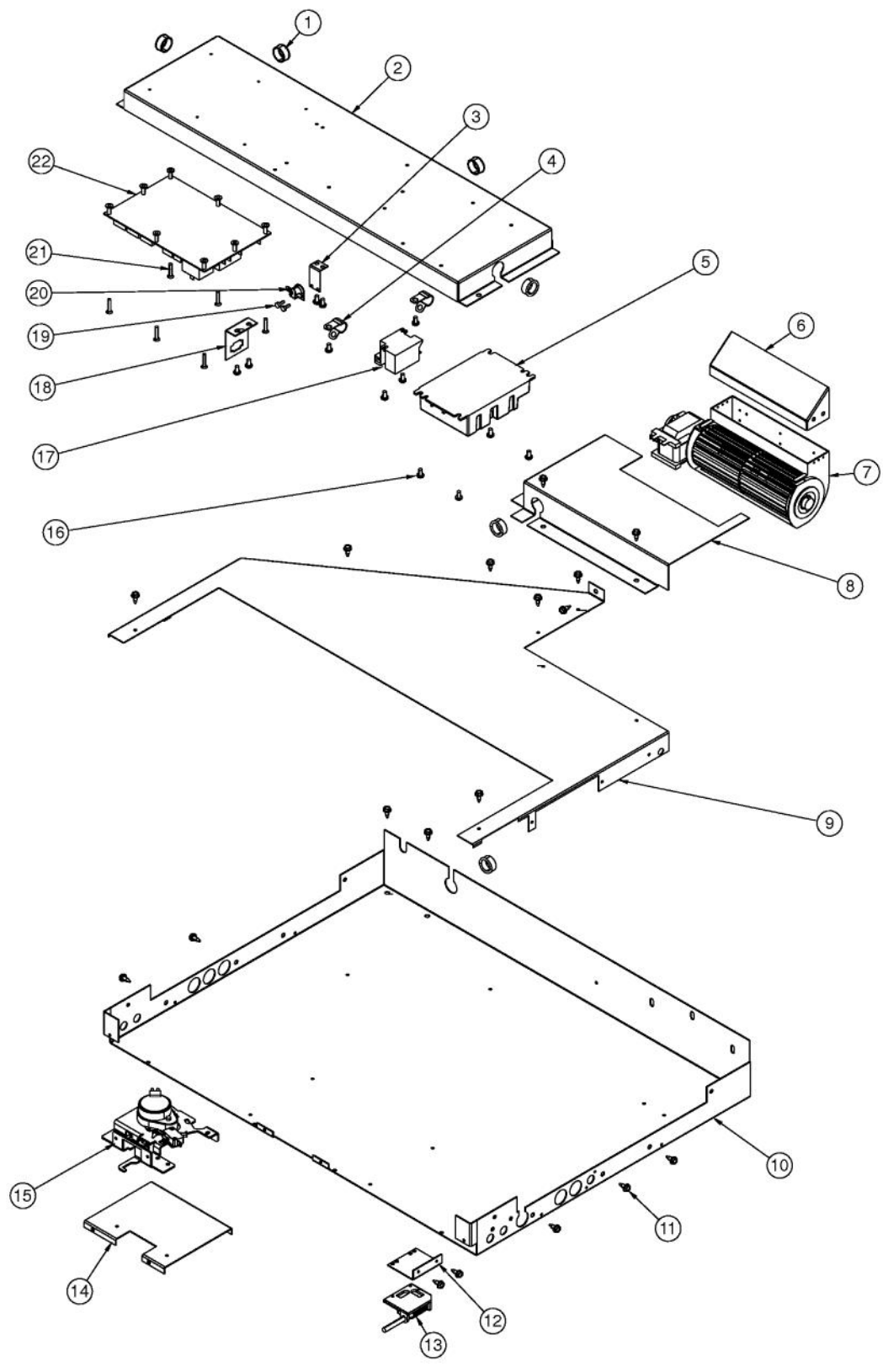
----- Manual continues below -----



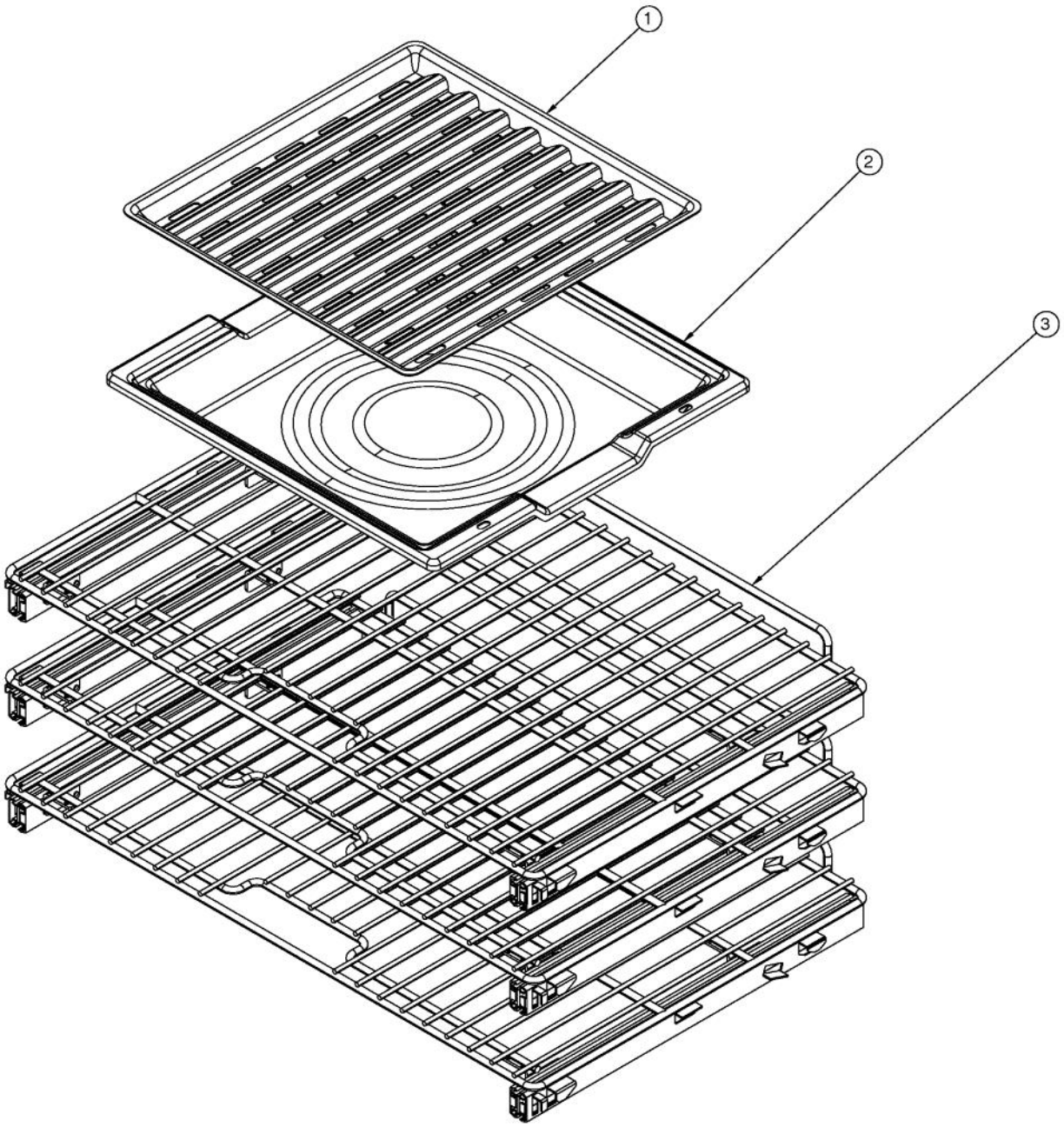
Ref #	Part Number	Qty.	Description
1	PD020046	5	NO.8 X 1/2 SCREWS
2	PA010093	1	DESIGNER OVEN LT SWITCH KNOB
3	PD040004	2	GROMMET BUMPER
4	PA020045	1	IGNITOR SWITCH
5	031462-000	1	BRACKET, LIGHT SWITCH
6	PD020048	2	NO.10 X 1/2 TEK 410 SS SCREW
7	020474-000	1	BRACKET, SW
8	G40015469	1	LIGHT SWITCH ASSEMBLY
9	PD020006	2	NO.6-32 X 1/4 PH.PAN HD. T(F)
10	032942-000	1	VALVE, STACK BURNER, 18000 BTU
11	031387-000	1	TUBING, LF BURNER
12	029914-000	1	FITTING, COMPRESSION, CC, 3/8
13	031380-000	1	TUBING ASM, STACK BURNER
14	031388-000	1	TUBING, LR BURNER
15	031400-000	1	TUBING, FISH BURNER
16	039215-000	1	32 FLEX GAS SELF CLEAN
17	PD020261	6	NO.8-32X1/2 PH PANHEAD MACH. SCREW
18	031821-000	1	REG. MTG. BRKT.
19	035216-000	1	ADAPTOR,3/8 NPT TO 1/2 COMP.
20	031818-000	1	REGULATOR, DUAL OUTLET
21	031392-000	1	TUBING, RR BURNER
22	031393-000	1	TUBING, RF BURNER
23	031804-000	4	VALVE, TOP BURNER
24	003860-000	2	NO.10-18 X .500 FASTNR,SCR,HXWH,STL,ZPLT
25	031297-000	1	MANIFOLD, 30
26	PA020058	4	IRIS SINGLE SPARK MODULE
27	015170-000	2	HOUSING, LIGHT, BLUE NEON, 125V
28	PJ030035	1	THERMOSTAT
29	039090-2393	1	PANEL, CTRL, RDSCD/RDSCG230 ASM
30	PJ030034	1	SELECTOR (6 POS)
31	031469-000	7	BEZEL, KNOB, RANGE, BLADE, D3
32	031498-000	4	KNOB ASM, GAS VALVE
33	015174-000	2	LENS, BLUE
34	031502-000	1	KNOB, THERMOSTAT, D3
35	031501-000	1	KNOB, SELECTOR, D3 GAS
36	032314-000	1	KNOB ASM, STACKED GAS VALV
NI	036576-000	1	SWITCH ASSY



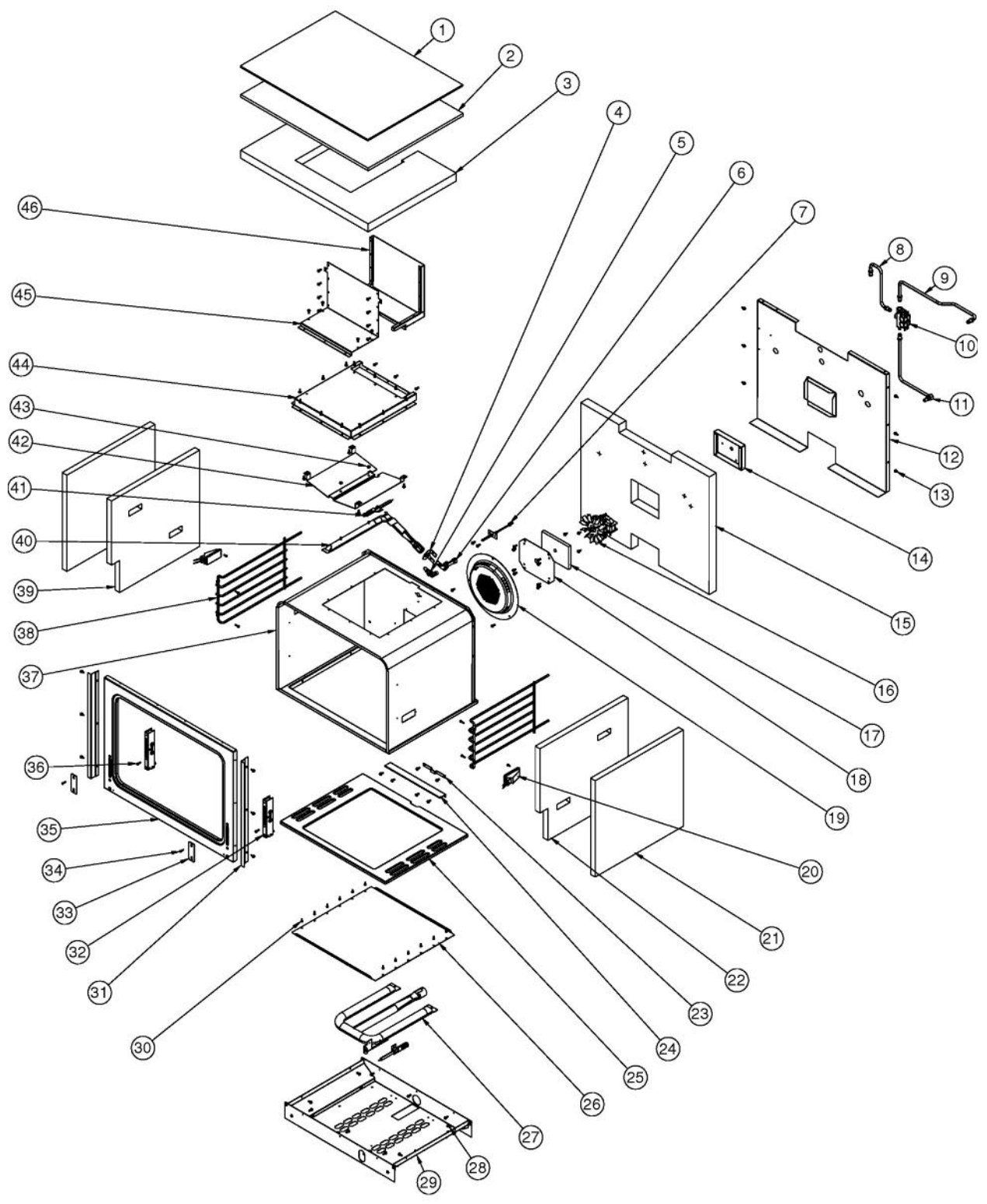
Ref #	Part Number	Qty.	Description
1	031224-000	1	GRATE ASM, LH
2	031225-000	1	GRATE ASM, CENTER
3	031223-000	1	GRATE ASM, RH
5	030984-000	1	FISH BURNER, 92000 BTU
6	031413-000	1	BURNER CAP, 12000 BTU
7	031417-000	1	BURNER HEAD, 12000 BTU
8	031412-000	1	BURNER CAP, 18000 BTU
9	031416-000	1	BURNER HEAD, 18000 BTU
10	030938-402	1	30 D3 SEALED TOP W/BK PORCELAIN
11	013986-000	1	TRIM, SIDE, RT D130
12	031073-000	1	PANEL, BURNER BOX SIDE, RH
13	030973-000	1	BURNER BASE, 12000 BTU
14	031022-000	1	BURNER BASE, 18000 BTU
15	003860-000	18	NO.10-18 X .500 FASTNR,SCR,HXWH,STL,ZPLT
16	031023-000	1	SUPPORT, REAR BURNER BOX
17	031004-000	1	BURNER CHANNEL, REAR
18	PD020006	9	NO.6-32 X 1/4 PH.PAN HD. T(F)
19	031003-000	1	BURNER CHANNEL, FRONT
20	031005-000	1	BURNER CHANNEL, CENTER
21	036100-000	10	FASTNER, SCR, M4
22	030977-000	1	BURNER BASE, FISH, 9200 BTU
23	030978-000	1	BASE, STACKED BURNER
24	030974-000	1	BURNER BASE, 8000 BTU
25	031419-000	1	BURNER HEAD, STACKED
26	031074-000	1	PANEL, BURNER BOX SIDE, LH
27	014543-000	1	TRIM, SIDE, LF, DESIGNER
28	031415-000	1	BURNER CAP, STACKED
29	031418-000	1	BURNER HEAD, 8000 BTU
30	031414-000	1	BURNER CAP, 8000 BTU



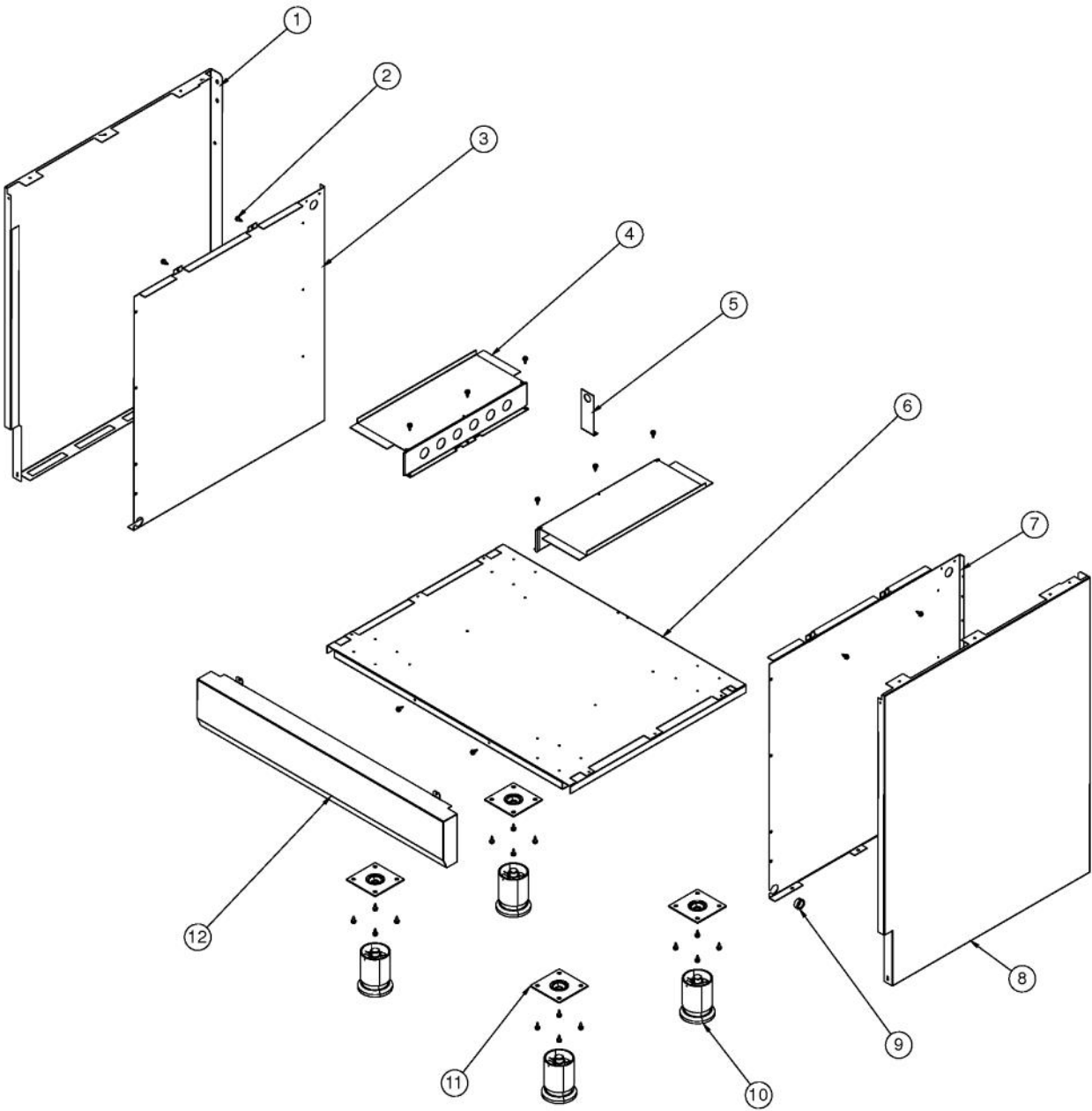
Ref #	Part Number	Qty.	Description
1	PD040005	6	SNAP BUSHING - 7/8
2	033529-000	1	PLATE, MTG. COMP.
3	A20014089	1	DISC BRACKET
4	015208-000	2	CLIP, WIRE
5	023651-000	1	DSI120 LONG PURGE
6	031030-000	1	FAN DEFLECTOR
7	PE050250	1	PREMIUM BLOWER WITH HES BEFORE 8/22/12
7	019958-000	1	FAN, COOLING, SINGLE, 120V X 180MM AFTER 8/22/12
8	031034-000	1	COVER, FAN
9	031015-000	1	AIR DUCT, D3
10	031014-000	1	RETAINER, TOP INSULATION, RDSCG, 30
11	003860-000	21	NO.10-18 X .500 FASTNR,SCR,HXWH,STL,ZPLT
12	A20012649	1	DOOR SWITCH BRACKET
13	PE050208	1	DOOR SWITCH
14	030985-000	1	LATCH MOUNT
15	012565-000	1	MOTORIZED DOOR LATCH
16	PD020004	12	10X3/8PH.HD.TYPE 25 REPL PD040125
17	PA020037	1	SINGLE MODULE 120V
18	033668-000	1	BRACKET, DISCONNECT
19	PD020067	2	NO.6 X 3/8 PAN PHIL. TEK SS
20	PJ030039	1	BI-METAL THERMOSTAT 275 DEGREES
21	PD020043	6	NO.6-32 X .750 PH. CTRSK T(F)-VGSO166
22	015981-000	1	CONTROL, PANEL, NO.3, ELAN BOARD



Ref #	Part Number	Qty.	Description
1	014924-402	1	INSERT, BROILER, BLACK PORCELAIN
2	014923-402	1	PAN, BROILER, BLACK PORCELAIN
3	029893-000	3	D3 GLIDE RACK, GAS 30

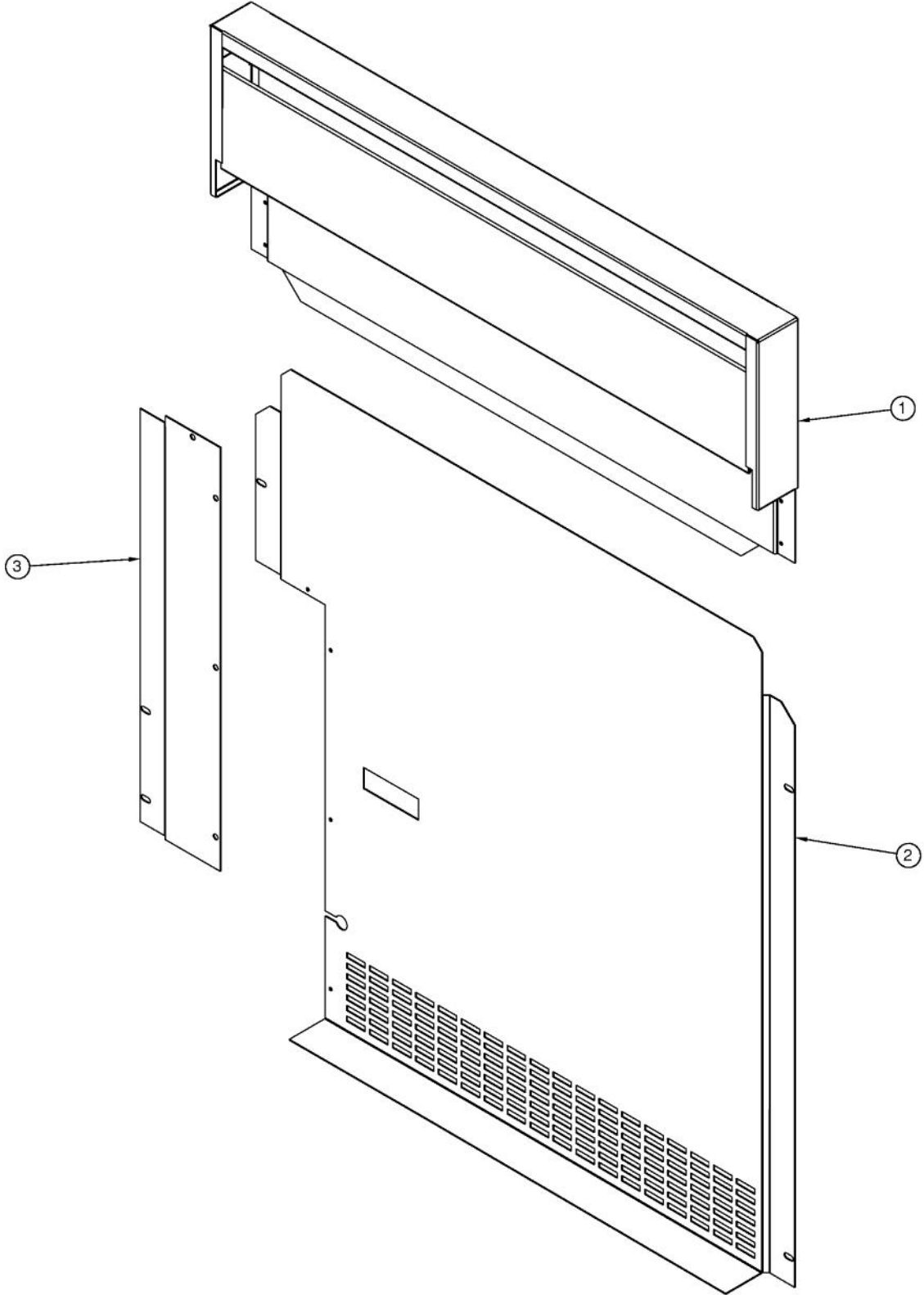


Ref #	Part Number	Qty.	Description
1	033588-000	1	INSULATION, TOP FOIL BACK
2	033586-000	1	INSULATION, TOP PAD
3	033585-000	1	INSULATION, TOP
4	032142-000	1	BRACKET, ORIFICE
5	PB040190	1	90 DEGREE ORIFICE FITTING NO.50 NAT
6	031729-000	1	ORIFICE FITTING, BROIL
7	PE050206	1	RTD THERMOSTAT PROBE
8	031853-000	1	TUBING, OVEN REGULATOR
9	031855-000	1	TUBING, BROIL, D3
10	009112-000	1	VALVE, SOL, DOUBLE
11	031857-000	1	TUBING, BAKE, D3
12	031777-000	1	PANEL, BACK INSULATION
13	003860-000	19	NO.10-18 X .500 FASTNR,SCR,HXWH,STL,ZPLT
14	031735-000	1	BOX, INSUL., FAN
15	033583-000	1	INSULATION, BACK, D3, 30
16	023089-000	1	MOTOR, CONVECTION, 120V/60HZ
17	PB070208	1	CONVECTION FAN INSULATION
18	021199-000	1	COVER, BOX, INSULATION
19	021225-000	1	COVER, CNVN, ASM
20	005311-000	2	120V/25W HALOGEN LIGHT
21	023578-000	2	INSULATION, SIDE, OUTER
22	023580-000	1	INSULATION, SIDE, RIGHT
23	A2004428	1	REAR BOTTOM BRCKT (VGSC306)
24	031445-403	1	BRACE, OVEN, BOTTOM, BACK
25	014922-402	1	OVEN BOTTOM PAN ASM, BK PORC
26	A2004439	1	OVEN BOTTOM SHIELD (VGSC306)
27	005329-000	1	BURNER, OVEN, ASM
28	PD020048	56	NO.10 X 1/2 TEK 410 SS SCREW
29	014748-402	1	BURNER PAN ASM, BK PORC
30	PD020067	14	NO.6 X 3/8 PAN PHIL. TEK SS
31	019175-000	2	BRACKET, SIDE, RH
32	031679-000	2	RECEPTACLE, HINGE
33	007278-000	2	ARM HINGE CLIP
34	PD020061	2	NO.8 X 3/4 FLAT HD TEK. SS.
35	014756-402	1	FRONT FRAME, BK PORC
36	PD020232	6	NO.8 X 3/4 PH PAN HEAD TEK SCREW (BLACK OXIDE)
37	031683-000	1	OVEN LINER ASM, D3, BK PORC
38	030191-000	2	GUIDE, RACK
39	023579-000	1	INSULATION, SIDE, LEFT
40	031899-000	1	BURNER, BROIL, ASM
41	PB040170	2	BAKE IGNITION ELECTRODE
42	031766-000	1	BAFFLE, BROIL BURNER
43	PD030044	2	10-24 KEPS NUT SS
44	031678-000	1	BROIL BURNER BOX, D3
45	031674-000	1	TOP, GAS DUCT, D3
46	031673-000	1	BOTTOM, GAS DUCT, D3



Ref #	Part Number	Qty.	Description
1	032816-000	1	PANEL, SIDE, LH, D3, SS
1	035005-002	1	PNL, SIDE, LH, D3 - BK
1	035005-003	1	PANEL, SIDE, LH, D3, BT
1	035005-004	1	PANEL, SIDE, LH, D3, SG
1	035005-005	1	PANEL, SIDE, LH, D3, GG
1	035005-006	1	PNL, SIDE, LH, D3 - WH
1	035005-008	1	PANEL, SIDE, LH, D3, BU
1	035005-009	1	PANEL, SIDE, LH, D3, LE
1	035005-010	1	PANEL, SIDE, LH, D3, MJ
1	035005-012	1	PANEL, SIDE, LH, D3, VB
1	035005-013	1	PANEL, SIDE, LH, D3, CB
1	035005-015	1	PANEL, SIDE, LH, D3, PL
1	035005-016	1	PANEL, SIDE, LH, D3, CH
1	035005-017	1	PANEL, SIDE, LH, D3, TP
1	035005-018	1	PANEL, SIDE, LH, D3, CW
1	035005-021	1	PANEL, SIDE, LH, D3, SA
1	035005-022	1	PANEL, SIDE, LH, D3, SE
1	035005-023	1	PANEL, SIDE, LH, D3, IB
1	035005-024	1	PANEL, SIDE, LH, D3, AR
1	035005-025	1	PANEL, SIDE, LH, D3, RR
1	035005-051	1	PANEL, SIDE, LH, D3, CN
1	035005-052	1	PANEL, SIDE, LH, D3, DJ
1	035005-053	1	PANEL, SIDE, LH, D3, KB
1	035005-054	1	PANEL, SIDE, LH, D3, WS
2	003860-000	28	NO.10-18 X .500 FASTNR,SCR,HXWH,STL,ZPLT
3	013660-000	1	INSULATION, PNL, SIDE, LH
4	013661-000	2	BRACKET, SUPPORT
5	014642-000	1	BRACKET, BAKE ORIFICE
6	020083-000	1	BOTTOM, MAIN, 30
7	013659-000	1	INSULATION, PNL, SIDE, RH
8	032813-000	1	PANEL, SIDE, RH, D3, SS
8	035006-002	1	PNL, SIDE, RH, D3 - BK
8	035006-003	1	PANEL, SIDE, RH, D3, BT
8	035006-004	1	PANEL, SIDE, RH, D3, SG
8	035006-005	1	PANEL, SIDE, RH, D3, GG
8	035006-006	1	PNL, SIDE, RH, D3 - WH
8	035006-008	1	PANEL, SIDE, RH, D3, BU
8	035006-009	1	PANEL, SIDE, RH, D3, LE
8	035006-010	1	PANEL, SIDE, RH, D3, MJ
8	035006-012	1	PANEL, SIDE, RH, D3, VB
8	035006-013	1	PANEL, SIDE, RH, D3, CB
8	035006-015	1	PANEL, SIDE, RH, D3, PL
8	035006-016	1	PANEL, SIDE, RH, D3, CH
8	035006-017	1	PANEL, SIDE, RH, D3, TP
8	035006-018	1	PANEL, SIDE, RH, D3, CW
8	035006-021	1	PANEL, SIDE, RH, D3, SA
8	035006-022	1	PANEL, SIDE, RH, D3, SE
8	035006-023	1	PANEL, SIDE, RH, D3, IB
8	035006-024	1	PANEL, SIDE, RH, D3, AR
8	035006-025	1	PANEL, SIDE, RH, D3, RR
8	035006-051	1	PANEL, SIDE, RH, D3, CN
8	035006-052	1	PANEL, SIDE, RH, D3, DJ
8	035006-053	1	PANEL, SIDE, RH, D3, KB
8	035006-054	1	PANEL, SIDE, RH, D3, WS
9	PD040005	1	SNAP BUSHING - 7/8
10	PC030031	4	ADJUSTABLE LEG
11	PC030007	4	LEG PLATE - 3/4 THREADED HOLE
12	030961-000	1	KICKPLATE, D3, SS
12	038552-006	1	KICKPLATE, DESIGNER WH
12	038552-002	1	KICKPLATE DESIGNER BK

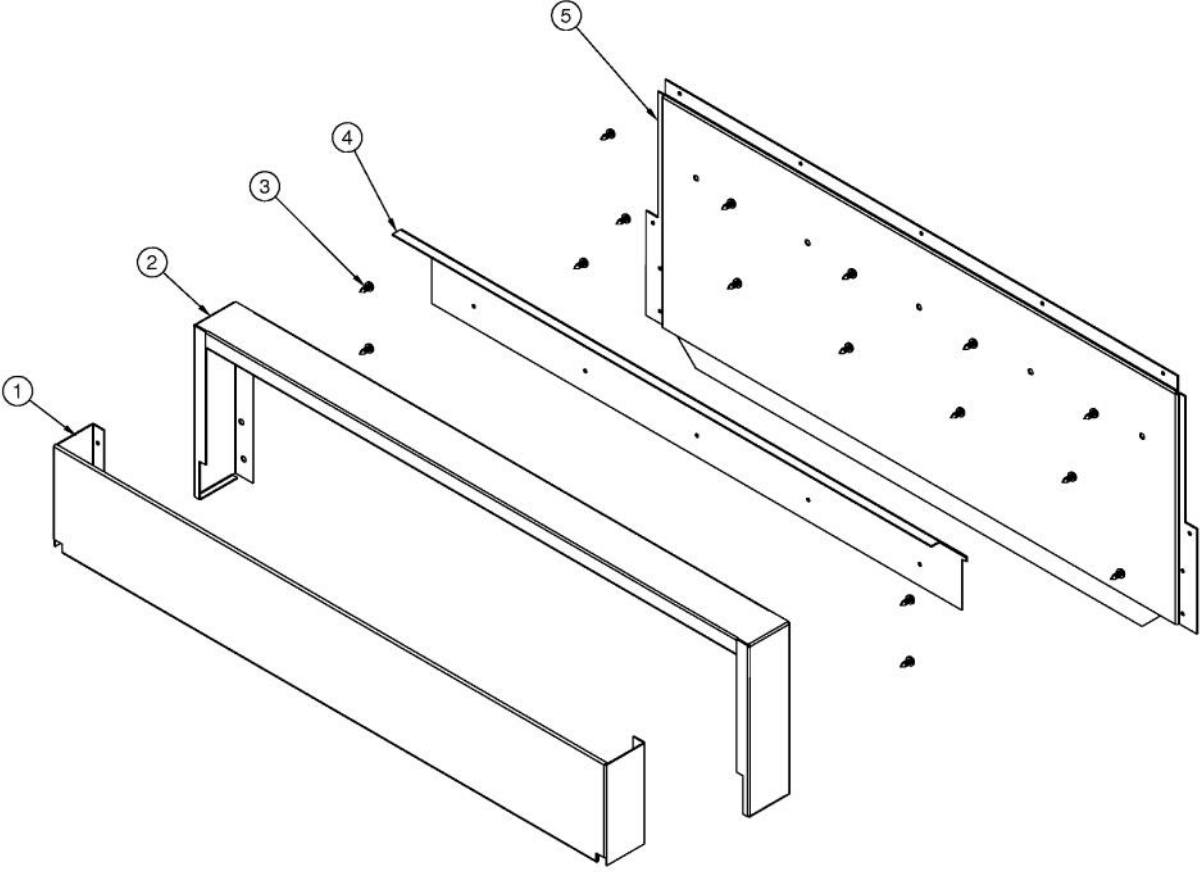
Ref #	Part Number	Qty.	Description
12	038552-002	1	KICKPLATE DESIGNER BK
12	038552-003	1	KICKPLATE DESIGNER BT
12	038552-004	1	KICKPLATE DESIGNER SG
12	038552-005	1	KICKPLATE DESIGNER GG
12	038552-008	1	KICKPLATE DESIGNER BU
12	038552-009	1	KICKPLATE DESIGNER LE
12	038552-010	1	KICKPLATE DESIGNER MJ
12	038552-012	1	KICKPLATE DESIGNER VB
12	038552-013	1	KICKPLATE DESIGNER CB
12	038552-015	1	KICKPLATE DESIGNER PL
12	038552-016	1	KICKPLATE DESIGNER CH
12	038552-017	1	KICKPLATE DESIGNER TP
12	038552-018	1	KICKPLATE DESIGNER CW
12	038552-021	1	KICKPLATE DESIGNER SA
12	038552-022	1	KICKPLATE DESIGNER SE
12	038552-023	1	KICKPLATE DESIGNER IB
12	038552-024	1	KICKPLATE DESIGNER AR
12	038552-025	1	KICKPLATE DESIGNER RR
12	038552-051	1	KICKPLATE DESIGNER CN
12	038552-052	1	KICKPLATE DESIGNER DJ
12	038552-054	1	KICKPLATE DESIGNER WS



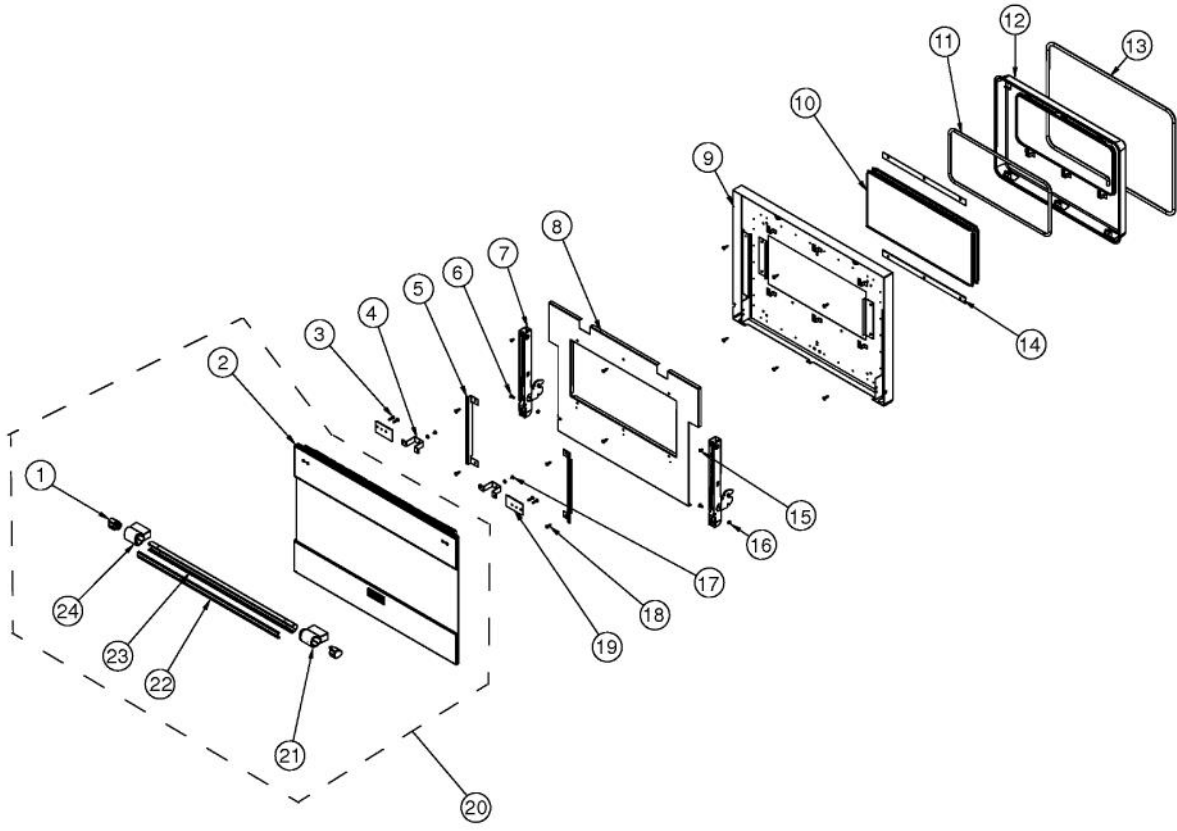
Ref #	Part Number	Qty.	Description
1	033330-000	1	30 D3 BACKGUARD, ASM
2	031320-000	1	BACK, OVEN, D3
3	031831-000	1	ACCESS COVER, REGULATOR

*No Image  
Available*

Ref #	Part Number	Qty.	Description
NI	032965-000	1	D3 ISLAND TRIM ASM



Ref #	Part Number	Qty.	Description
1	033332-000	1	30 D3 BACKGUARD, FRONT
2	033331-000	1	30 D3 BACKGUARD, FRAME
3	PD020055	16	NO.10 X 1/2 PAN PHIL. TEK. SS
4	033334-000	1	BACKGUARD DEFLECTOR
5	033333-000	1	30 D3 BACKGUARD, BACK



Ref #	Part Number	Qty.	Description
1	028002-000	2	CAP, HANDLE, D3
2	039284-000	1	SKIN ASM, DOOR, W/LOGO, SS
2	039285-002	1	SKIN ASM, DOOR, W/LOGO, BK
2	039285-003	1	SKIN ASM, DOOR, W/LOGO, BT
2	039285-004	1	SKIN ASM, DOOR, W/LOGO, SG
2	039285-005	1	SKIN ASM, DOOR, W/LOGO, GG
2	039285-006	1	SKIN ASM, DOOR, W/LOGO, WH
2	039285-008	1	SKIN ASM, DOOR, W/LOGO, BU
2	039285-009	1	SKIN ASM, DOOR, W/LOGO, LE
2	039285-010	1	SKIN ASM, DOOR, W/LOGO, MJ
2	039285-012	1	SKIN ASM, DOOR, W/LOGO, VB
2	039285-013	1	SKIN ASM, DOOR, W/LOGO, CB
2	039285-015	1	SKIN ASM, DOOR, W/LOGO, PL
2	039285-016	1	SKIN ASM, DOOR, W/LOGO, CH
2	039285-017	1	SKIN ASM, DOOR, W/LOGO, TP
2	039285-018	1	SKIN ASM, DOOR, W/LOGO, CW
2	039285-021	1	SKIN ASM, DOOR, W/LOGO, SA
2	039285-022	1	SKIN ASM, DOOR, W/LOGO, SE
2	039285-023	1	SKIN ASM, DOOR, W/LOGO, IB
2	039285-024	1	SKIN ASM, DOOR, W/LOGO, AR
2	039285-025	1	SKIN ASM, DOOR, W/LOGO, RR
2	039285-051	1	SKIN ASM, DOOR, W/LOGO, CN
2	039285-052	1	SKIN ASM, DOOR, W/LOGO, DJ
2	039285-053	1	SKIN ASM, DOOR, W/LOGO, KB
2	039285-054	1	SKIN ASM, DOOR, W/LOGO, WS
3	008974-000	4	SCREW 10 - 32 X 3/4 SLOT HEX WASHER
4	015310-000	2	HANDLE BRACKET SPACER
5	007583-000	2	BRACKET, GLASS
6	PD010003	2	10-24 X 1/2 PH.TR.HD.SERD.M.S.
7	002740-000	2	MANSFIELD HINGE, BLUE SPRING
8	004688-000	1	PANEL, INSL, DOOR, LINER
9	030906-000	1	DOOR, ASM, RANGE
9	004691-000	1	LINER, DOOR, ASM, ASSY, GSC BETWEEN (11/14/11 - 03/07/12)
10	PE060064	1	WINDOW PACK, SELF CLEANING OVEN 30
11	PB070150	1	FIBERGLASS ROPE, 3/8 DIA.
12	G9102745	1	DR PG ASSY VDSC30/48 RE H9102175
13	000042-000	1	30 DOOR GASKET
14	A2007943	2	GLASSPACK BRACKET, LARGE
15	PD020004	2	10X3/8PH.HD.TYPE 25 REPL PD040125
16	PD030010	2	NO.10-24 KEPS NUT
17	PD020063	2	SCREW-NO.8(A) X 3/8PH WFR HD/BK OXID
18	PD020014	12	10X3/4 PH TR HD SMS
20	008971-000	2	SPACER, DOOR, HANDLE
20	030983-000	1	OUTER DOOR ASM, D3 RANGE 30
20	035278-002	1	OUTER DOOR PANEL ASM, 30 D3, BK
20	035278-003	1	OUTER DOOR PANEL ASM, 30 D3, BT
20	035278-004	1	OUTER DOOR PANEL ASM, 30 D3, SG
20	035278-005	1	OUTER DOOR PANEL ASM, 30 D3, GG
20	035278-006	1	OUTER DOOR PANEL ASM, 30 D3, WH
20	035278-008	1	OUTER DOOR PANEL ASM, 30 D3, BU
20	035278-009	1	OUTER DOOR PANEL ASM, 30 D3, LE
20	035278-010	1	OUTER DOOR PANEL ASM, 30 D3, MJ
20	035278-012	1	OUTER DOOR PANEL ASM, 30 D3, VB
20	035278-013	1	OUTER DOOR PANEL ASM, 30 D3, CB
20	035278-015	1	OUTER DOOR PANEL ASM, 30 D3, PL
20	035278-016	1	OUTER DOOR PANEL ASM, 30 D3, CH
20	035278-017	1	OUTER DOOR PANEL ASM, 30 D3, TP
20	035278-018	1	OUTER DOOR PANEL ASM, 30 D3, TP
20	035278-021	1	OUTER DOOR PANEL ASM, 30 D3, SA

Ref #	Part Number	Qty.	Description
20	035278-021	1	OUTER DOOR PANEL ASM, 30 D3, SA
20	035278-022	1	OUTER DOOR PANEL ASM, 30 D3, SE
20	035278-023	1	OUTER DOOR PANEL ASM, 30 D3, IB
20	035278-024	1	OUTER DOOR PANEL ASM, 30 D3, AR
20	035278-025	1	OUTER DOOR PANEL ASM, 30 D3, RR
20	035278-051	1	OUTER DOOR PANEL ASM, 30 D3, CN
20	035278-052	1	OUTER DOOR PANEL ASM, 30 D3, DJ
20	035278-053	1	OUTER DOOR PANEL ASM, 30 D3, KB
20	035278-054	1	OUTER DOOR PANEL ASM, 30 D3, WS
21	028000-000	1	ENDCAP, RH, D3
22	027988-000	1	INSERT, D3 30 HANDLE
23	027986-000	1	HANDLE, D3 30
24	028001-000	1	ENDCAP, LH,D3
NI	030909-000	1	DOOR ASM, RDSCG230 SS
NI	035280-002	1	DOOR ASM, 30 D3 GAS OVEN, BK
NI	035280-003	1	DOOR ASM, 30 D3 GAS OVEN, BT
NI	035280-004	1	DOOR ASM, 30 D3 GAS OVEN, SG
NI	035280-005	1	DOOR ASM, 30 D3 GAS OVEN, GG
NI	035280-006	1	DOOR ASM, 30 D3 GAS OVEN, WH
NI	035280-008	1	DOOR ASM, 30 D3 GAS OVEN, BU
NI	035280-009	1	DOOR ASM, 30 D3 GAS OVEN, LE
NI	035280-010	1	DOOR ASM, 30 D3 GAS OVEN, MJ
NI	035280-012	1	DOOR ASM, 30 D3 GAS OVEN, VB
NI	035280-013	1	DOOR ASM, 30 D3 GAS OVEN, CB
NI	035280-015	1	DOOR ASM, 30 D3 GAS OVEN, PL
NI	035280-016	1	DOOR ASM, 30 D3 GAS OVEN, CH
NI	035280-017	1	DOOR ASM, 30 D3 GAS OVEN, TP
NI	035280-018	1	DOOR ASM, 30 D3 GAS OVEN, BK
NI	035280-021	1	DOOR ASM, 30 D3 GAS OVEN, SA
NI	035280-022	1	DOOR ASM, 30 D3 GAS OVEN, SE
NI	035280-023	1	DOOR ASM, 30 D3 GAS OVEN, IB
NI	035280-024	1	DOOR ASM, 30 D3 GAS OVEN, AR
NI	035280-025	1	DOOR ASM, 30 D3 GAS OVEN, RR
NI	035280-051	1	DOOR ASM, 30 D3 GAS OVEN, CN
NI	035280-052	1	DOOR ASM, 30 D3 GAS OVEN, DJ
NI	035280-053	1	DOOR ASM, 30 D3 GAS OVEN, KB
NI	035280-054	1	DOOR ASM, 30 D3 GAS OVEN, WS

*No Image  
Available*

Ref #	Part Number	Qty.	Description
NI	035267-000	1	LR INJECTOR, LP, 0.79 MM
NI	036165-000	1	LF-HIGH INJECTOR, LP, 1.09 MM
NI	035266-000	1	LF-LOW INJECTOR, LP, 0.33 MM
NI	041847-000	1	D3 LP ORIFICE KIT FOR TC-0086-SP BULLITEN (BUILT PRIOR TO 01/03-13)
NI	035268-000	1	CENTER-INJECTOR, LP, 0.87 MM
NI	035265-000	1	RF INJECTOR, LP, 1.19 MM
NI	035270-000	1	RR INJECTOR, LP, 1.01 MM

*No Image  
Available*

Ref #	Part Number	Qty.	Description
NI	023341-000	1	IRIS HARNESS 24, 30
NI	000647-000	1	IRIS IGNITOR WIRE, FRONT BURNER
NI	006766-000	3	IRIS IGNITOR WIRE, BACK BURNER
NI	033674-000	1	HARNESS, MAIN, D3 GAS
NI	004133-000	1	CONTROL PANEL HARNESS
NI	023750-000	1	CORD, SUPPLY
NI	024606-000	1	WIRE, BAKE, ELECTRODE, ASM
NI	PE070036	2	TIE WRAP
NI	036199-000	1	HARNESS, IGNITOR, ASM
NI	G4000936	1	GROUND WIRE
NI	PE070796	1	6 POSITION 27 L.O.