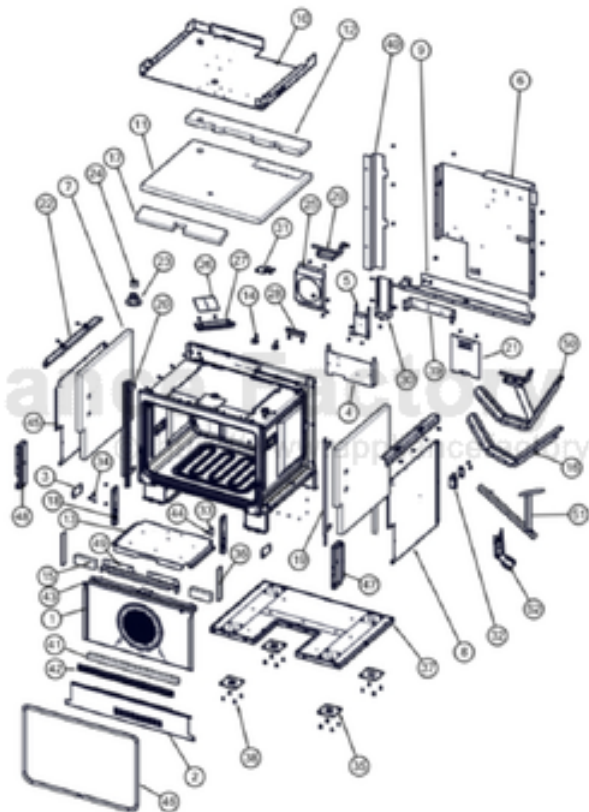


This Owner's Manual is provided and hosted by [Appliance Factory Parts](#).



VIKING RVDR33015B Owner's Manual

[Shop genuine replacement parts for VIKING
RVDR33015B](#)



[Find Your VIKING Range Hoods Parts - Select From 411 Models](#)

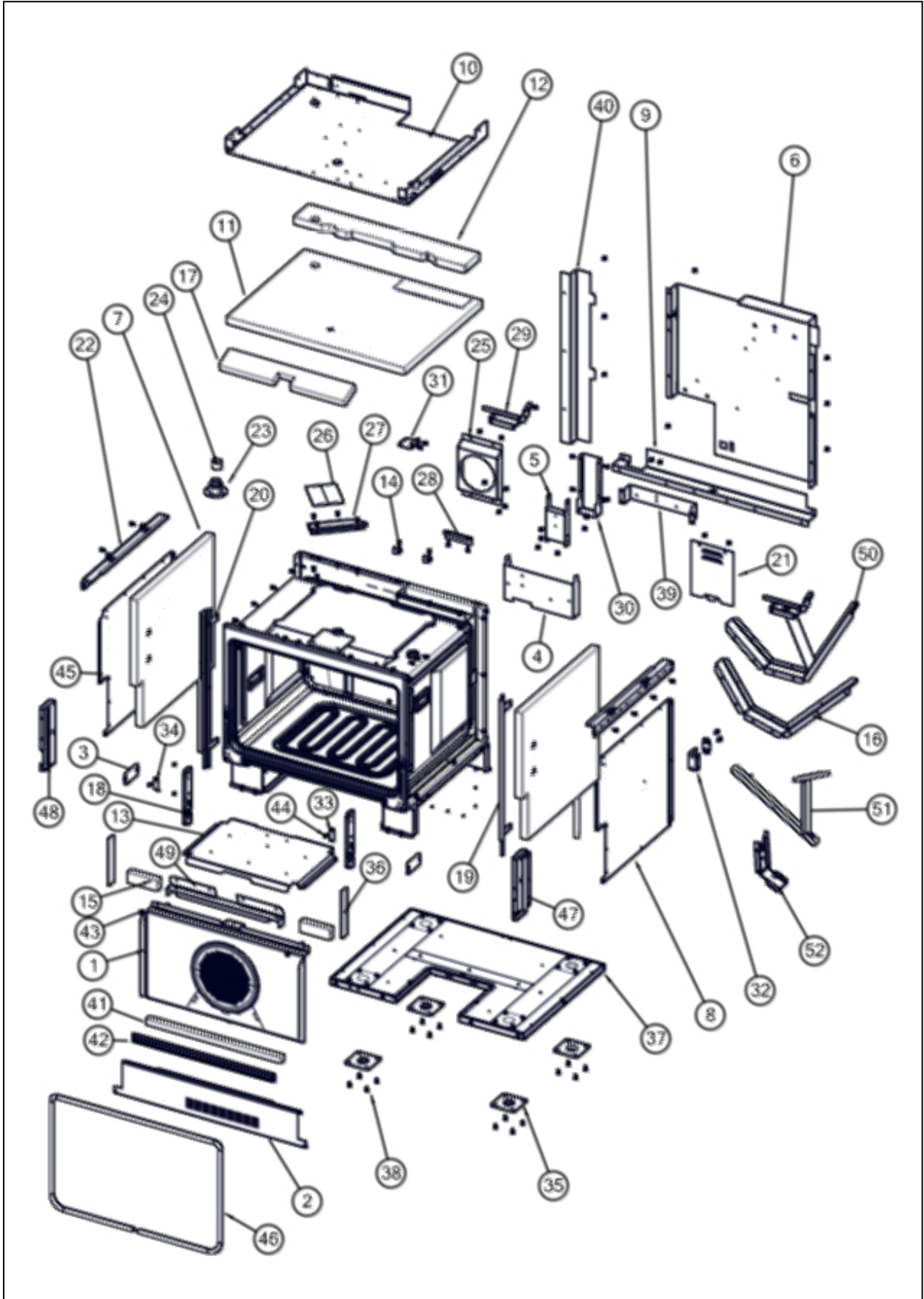
----- Manual continues below -----

RVDR33015B

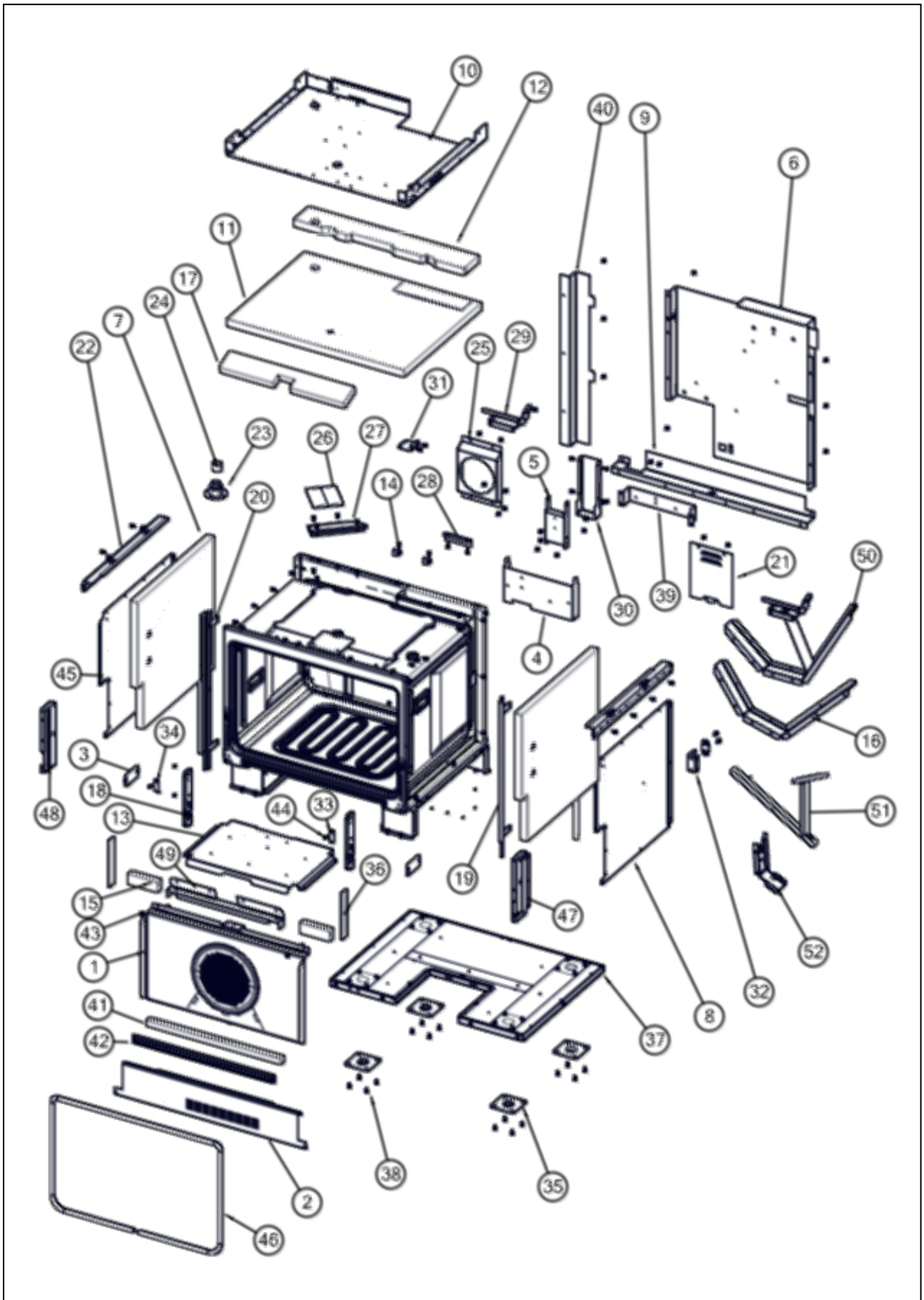
Contents

BASE	1
SURFACE	2
CONTROL	3
GAS	4
DECOR	5
DOOR	6
ELECTRICAL	7
Appendix A:Pages Index	A
Appendix B:Parts Index	B

BASE

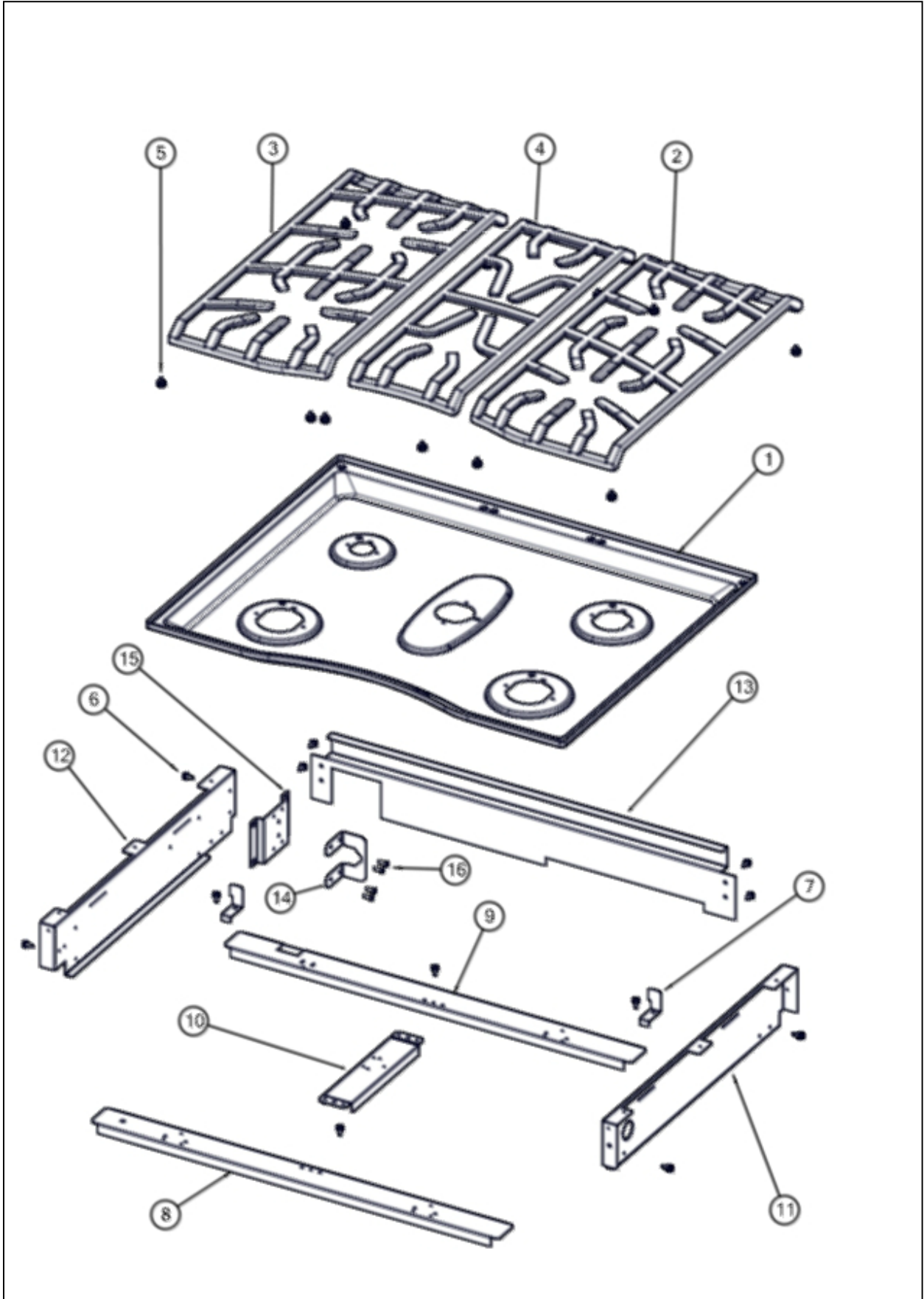


Item	Part No.	Name	Qty	Uom	NOTES
1	032857-000	BAFFLE, CONV, ASM, D3, BLACK	1	EA	
2	014246-000	LOWER GRILL	1	EA	
3	032858-402	BLACK LIGHT COVER	2	EA	
4	014553-000	DUCT, AIR	1	EA	
5	014554-000	BOX, FLUE, FRONT	1	EA	
6	003272-000	COVER, BACK	1	EA	
7	013528-000	30 SIDE INSULATION	2	EA	
8	048194-000	RETAINER, INSULATION, WRAPPER, RH	1	EA	
9	014240-000	LEDGE, BACK	1	EA	
10	015615-000	BRACE, RNG, AIR, CHANNEL	1	EA	
11	013526-000	30 TOP INSULATION	1	EA	
12	013542-000	30 TOP BROIL INSULATION	1	EA	
13	A20014021	REFLECTOR, BROIL	1	EA	
14	PD030109	INSULATED CLAMP	2	EA	
15	005255-000	HINGE INSULATION	2	EA	
16	049784-000	BAFFLE, FAN, REAR	1	EA	
17	013563-000	LINER FRONT INSULATION	1	EA	
18	045060-000	RECEIVER, HINGE, SLOW-CLOSE, UNDAMPENED	2	EA	
19	019185-000	TRIM, FR, RH, DSCD	1	EA	
20	019186-000	TRIM, FR, LH, DSCD	1	EA	
21	A2002454	BACK, COVER ACCESS DOOR	1	EA	
22	A2009641	BRKT, TOP WRAPPER	2	EA	
23	PM010014	SMOKE ELIMINATOR	1	EA	
24	PB020275	VENT TUBE	1	EA	
25	A2009697	BRACKET, CONVECTION INSULATION	1	EA	
26	004285-000	FOIL BACK	1	EA	
27	003333-000	DUCT, FLUE	1	EA	
28	A20014044	BROIL ELEMENT SHIELD	1	EA	
29	003356-000	DIVERTER, AIR	1	EA	
30	A20010101	FLUE, OUTSIDE, SHELL	1	EA	
31	A20012649	BRACKET, SWITCH, OVEN LIGHT	1	EA	



Item	Part No.	Name	Qty	Uom	NOTES
32	A2002195	POWER CORD MOUNTING BRKT	1	EA	
33	039145-000	RETAINER, HINGE	1	EA	
34	039155-000	RETAINER, HINGE	1	EA	
35	PC030007	PLATE,LEG	4	EA	
36	013572-000	HINGE INSULATION	2	EA	
37	003052-000	BASE TOP PLATE	1	EA	
38	003860-000	FASTENER,SCR,HXWH,STL,ZP LT,10-18 x .500	16	EA	
39	004110-000	MOUNT,BLOWER	1	EA	
40	015607-000	CHANNEL, WIRE, DSCD	1	EA	
41	013547-000	BAKE ELEMENT INSULATION	1	EA	
42	E2109655	COVER, BAKE TRAY	1	EA	
43	PD020048	NO.10 X 1/2 TEK 410 SS SCREW	2	EA	
44	PD020061	NO.8 X 3/4 FLAT HD TEK. SS.	2	EA	
45	048200-000	RETAINER, WRAPPER, INSULATION, LH	1	EA	
46	051590-000	GASKET, LINER, DF, ASM, 30"	1	EA	
47	052956-000	SHIM, SHIELD, RETAINER, RH, HINGE	1	EA	
48	048199-000	SHIM, SHIELD, RETAINER, LH HINGE	1	EA	
49	024234-000	BRACKET, BROILER, FRONT	1	EA	
50	049755-000	DIVERTER, AIR, BACK WALL, VDSC	1	EA	
51	049755-000	DIVERTER, AIR, BACK WALL, VDSC	1	EA	
52	049785-000	BAFFLE, FAN, REAR, TOP	1	EA	
NI	034927-000	BRACKET, ANTI-TIP	1	EA	
NI	034928-000	BRACKET, HOOK, ANTI-TIP	1	EA	
NI	049133-000	BRACE, FRONT, BURNER BOX	1	EA	
NI	048458-000	INSULATION KIT #2	1	EA	

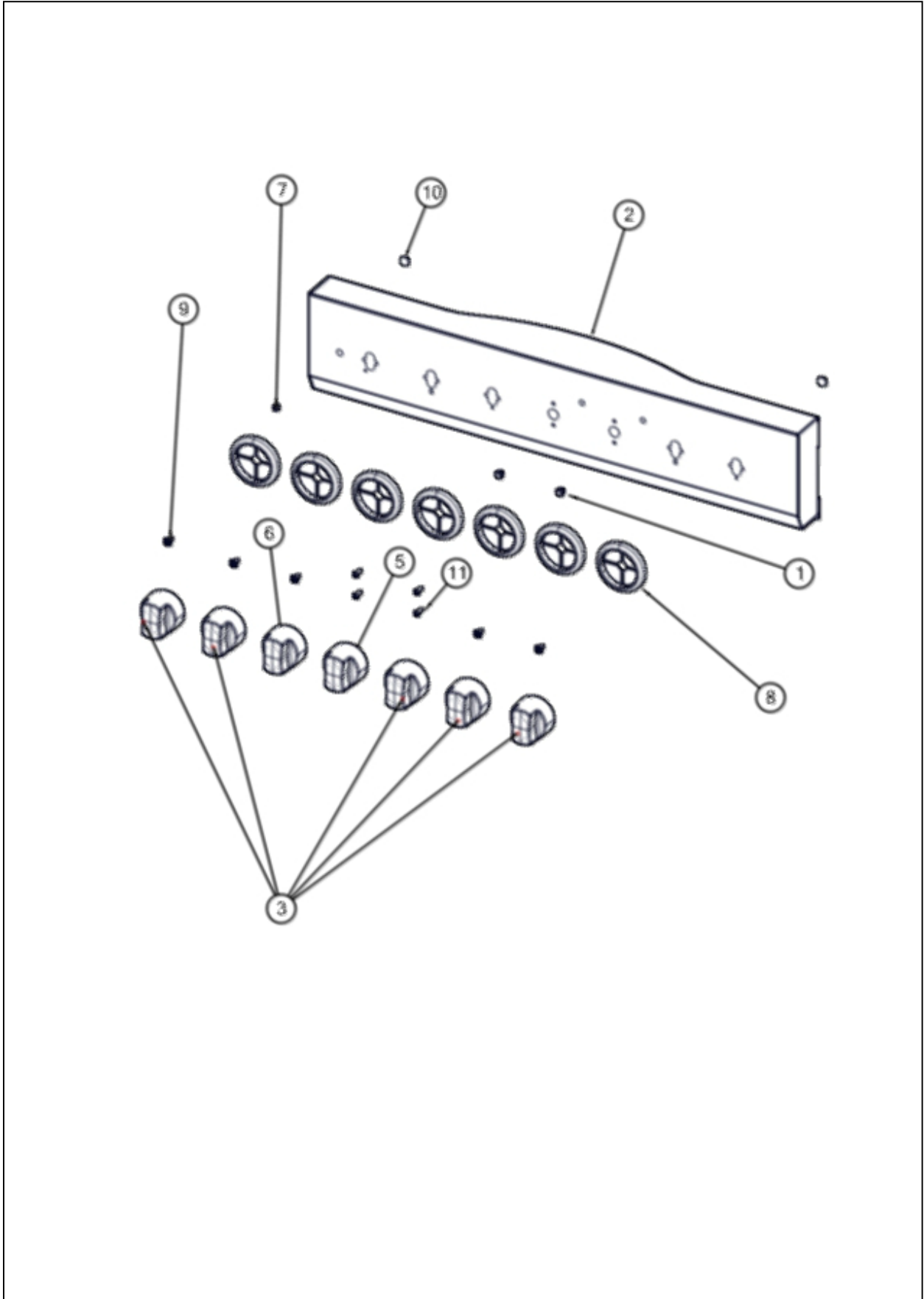
SURFACE





Item	Part No.	Name	Qty	Uom	NOTES
1	043681-402	TOP, RANGE, 30"	1	EA	
2	031223-000	D3 RH GRATE ASM	1	EA	
3	031224-000	D3 LH GRATE ASM	1	EA	
4	031225-000	D3 CENTER GRATE ASM	1	EA	
5	031430-000	GRATE, FOOT	12	EA	
6	003860-000	FASTENER,SCR,HXWH,STL,ZP LT,10-18 x .500	10	EA	
7	015106-000	SIDE TRIM SUPPORT	2	EA	
8	043698-000	BURNER CHANNEL, FRONT	1	EA	
9	031004-000	BURNER CHANNEL REAR	1	EA	
10	031005-000	CENTER BURNER CHANNEL	1	EA	
11	031073-000	PANEL, SIDE, RH	1	EA	
12	031074-000	PANEL, SIDE, LH	1	EA	
13	033181-000	SUPPORT, REAR, D3, DUEL FUEL	1	EA	
14	038704-000	REGULATOR BRACKET	1	EA	
15	038705-000	REG. MTG. BRKT.	1	EA	
16	PD020261	#8-32 X 1/2 PH. PAN HD. MS	3	EA	

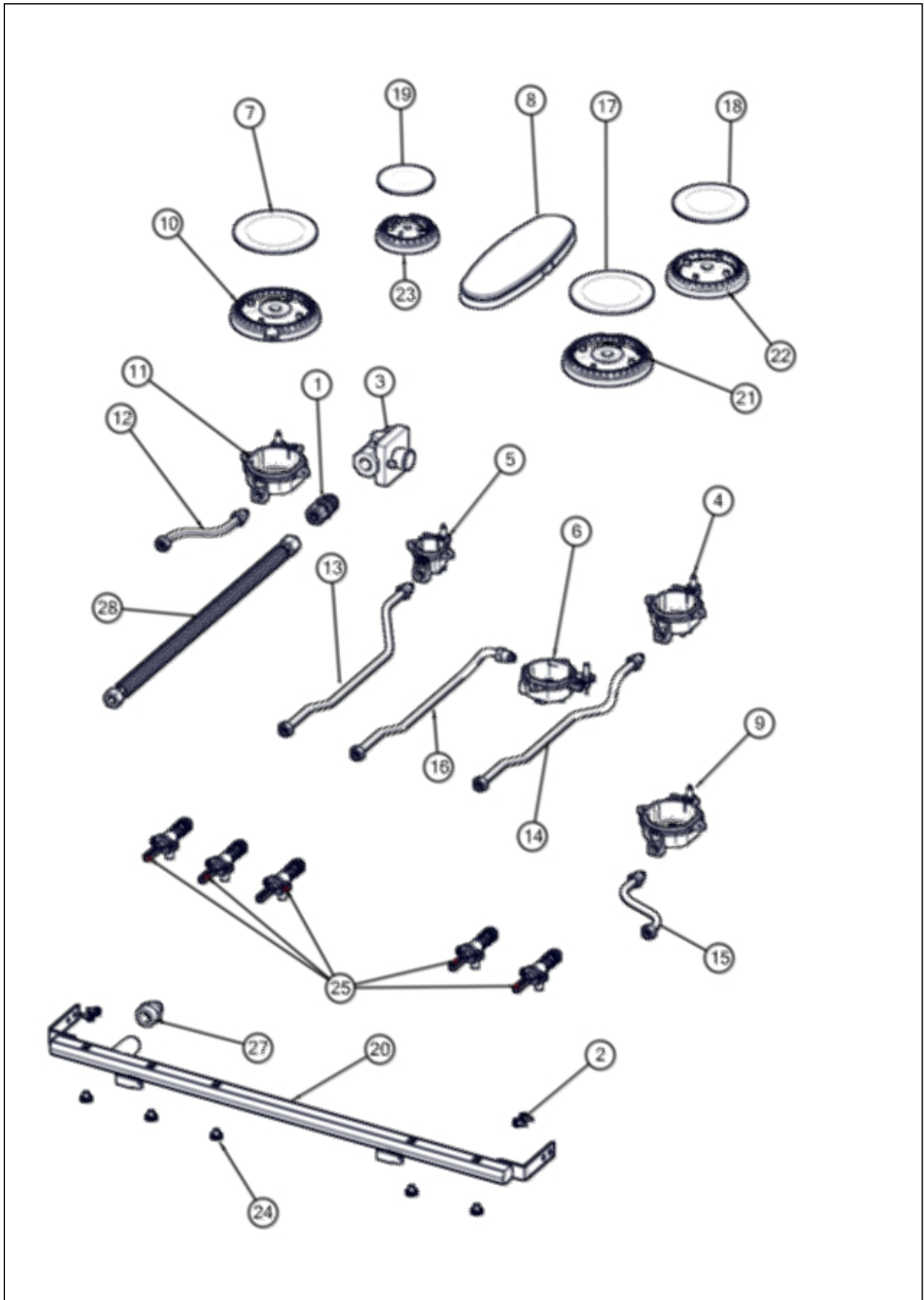
CONTROL





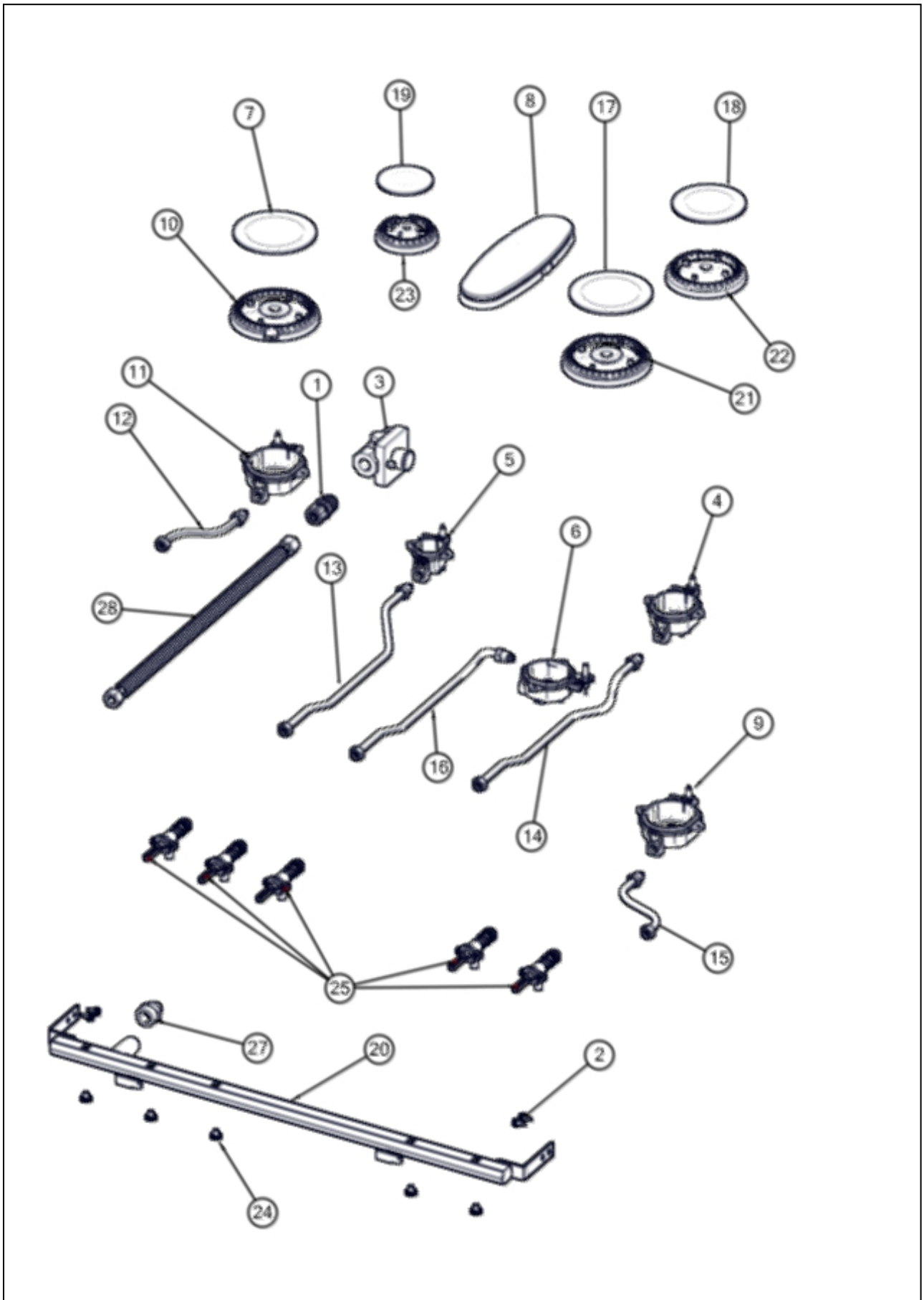
Item	Part No.	Name	Qty	Uom	NOTES
1	027968-000	LENS, BLUE	2	EA	
2	039090-2393	PANEL, CTRL, RDSCD/RDSCG230 ASSY	1	EA	
3	042263-000	KNOB, GAS VALVE, RANGE, D3PO, ASSY	5	EA	
4	042264-000	KNOB, STACKED GAS VALVE, RANGE, D3PO, ASSY	1	EA	
5	042266-000	KNOB, TSTAT, RANGE, D3PO, ASSY	1	EA	
6	042267-000	KNOB, SEL, ELEC, RANGE, D3PO, ASSY	1	EA	
7	PA010093	DESIGNER OVEN LT SWITCH KNOB	1	EA	
8	PB010304	BEZEL,KNOB	7	EA	
9	PD020046	#8 X 1/2" SELF DRILLING TEK SCREW	5	EA	
10	PD040004	GROMMET BUMPER	2	EA	
11	PD020261	#8-32 X 1/2 PH. PAN HD. MS	4	EA	

GAS



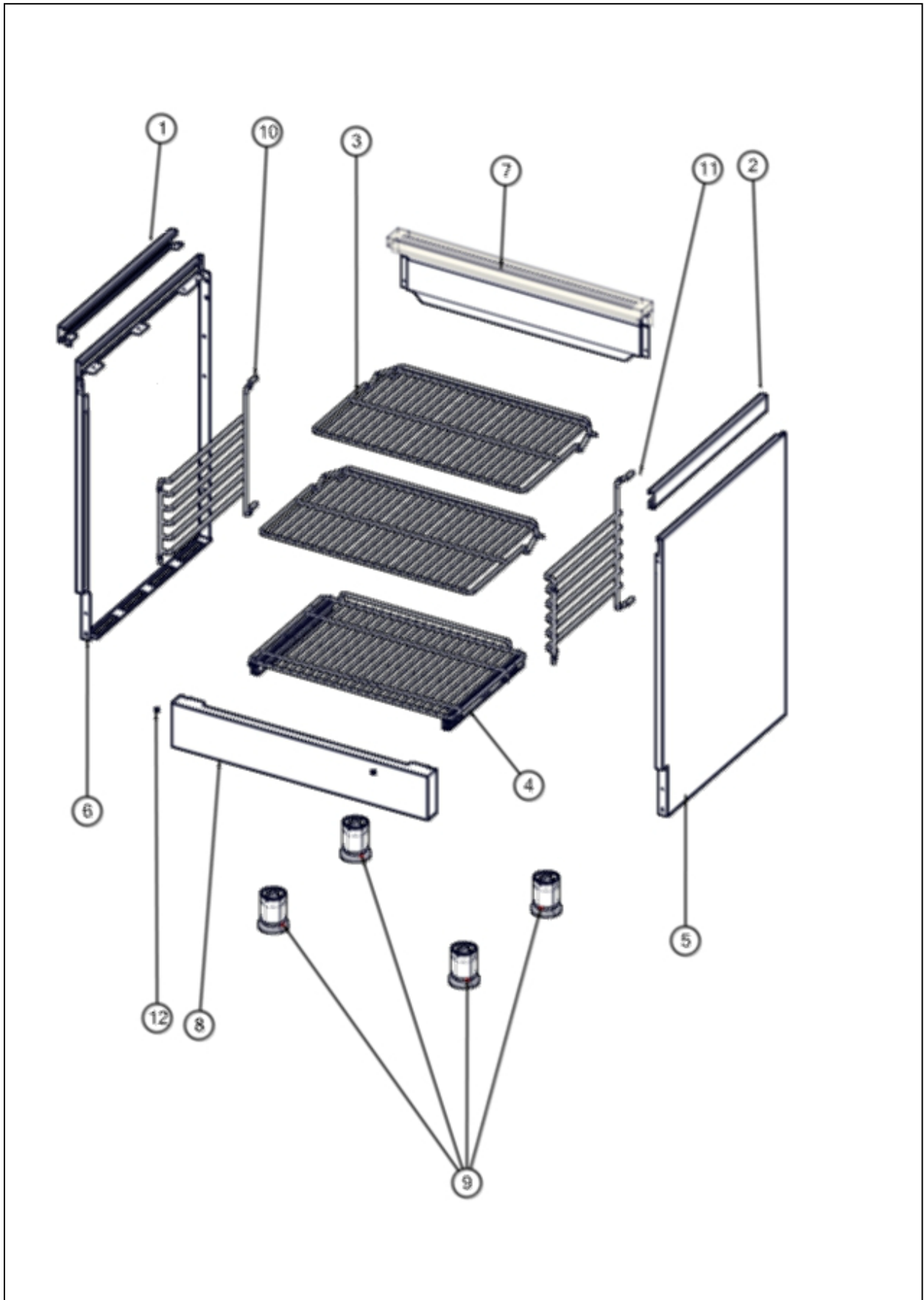


Item	Part No.	Name	Qty	Uom	NOTES
1	000845-000	1/2" COMPRESSION TO 1/2" NPT ADAPTER	1	EA	
2	003860-000	FASTENER,SCR,HXWH,STL,ZP LT,10-18 x .500	1	EA	
3	023883-000	REGULATOR, NAT, CONVERTABLE	1	EA	
3	023884-000	REGULATOR, PRSS, L.P., 10", DESIGNER	1	EA	
4	030973-000	BNR BASE, RAPID, 12000 BTU	1	EA	
5	030974-000	BNR BASE, SEMIRAPID, 8000 BTU	1	EA	
6	030977-000	BNR BASE, FISH, 9200 BTU	1	EA	
7	031412-000	BNR CAP, ULTRARAPID, 18000 BTU	1	EA	
8	030984-000	FISH BNR, 9200 BTU	1	EA	
9	031022-000	BNR BASE, ULTRARAPID, 18000 BTU	1	EA	
10	031416-000	BNR HEAD, ULTRARAPID, 18000 BTU	1	EA	
11	035795-000	MODULE, IGN, GAS,SNGL	1	EA	
12	031393-000	RF BURNER TUBING	1	EA	
13	031388-000	LR BURNER TUBE	1	EA	
14	031392-000	RR BURNER TUBING	1	EA	
15	031393-000	RF BURNER TUBING	1	EA	
16	031400-000	FISH BURNER TUBING	1	EA	
17	031412-000	BNR CAP, ULTRARAPID, 18000 BTU	1	EA	
18	031413-000	BNR CAP, RAPID, 12000 BTU	1	EA	
19	031414-000	BNR CAP, SIMIRAPID, 80000 BTU	1	EA	
20	043670-000	MANIFOLD, GAS, 30"	1	EA	
21	031416-000	BNR HEAD, ULTRARAPID, 18000 BTU	1	EA	
22	031417-000	BNR HEAD, RAPID, 12000 BTU	1	EA	
23	031418-000	BNR HEAD, SEMIRIPID, 8000 BTU	1	EA	
24	PD010012	1/4 x 3/8 VALVE BOLT	5	EA	
25	031804-000	VALVE, BURNER, TOP, NAT	5	EA	

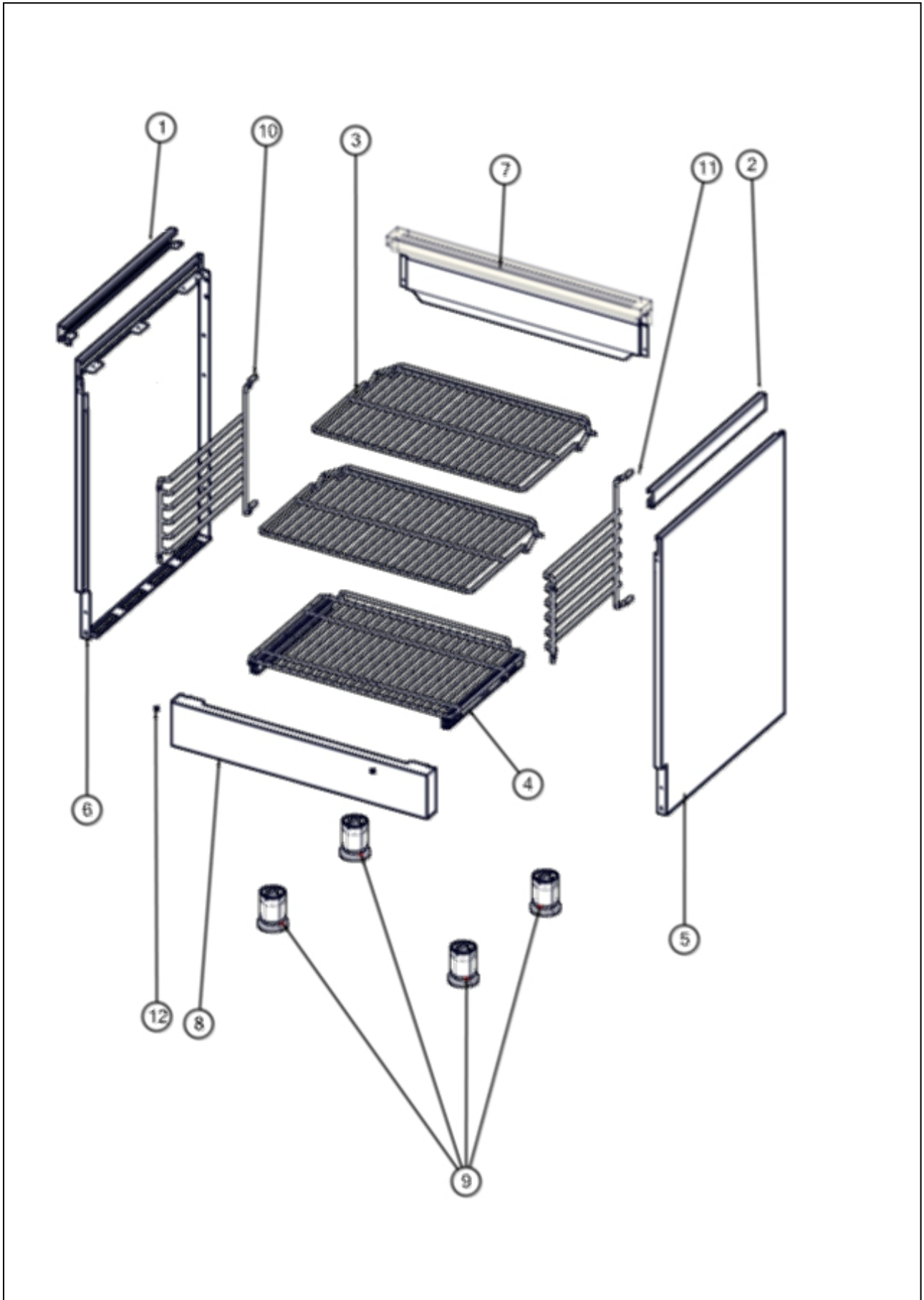




Item	Part No.	Name	Qty	Uom	NOTES
27	034765-000	1/2" FEMALE PIPE TO 1/2" COMPRESSION FITTING	1	EA	
28	039214-000	TUBING, FLEX, SST, 18"	1	EA	
NI	043850-000	RANGES LP TOP BURNER ORIFICES	1	EA	



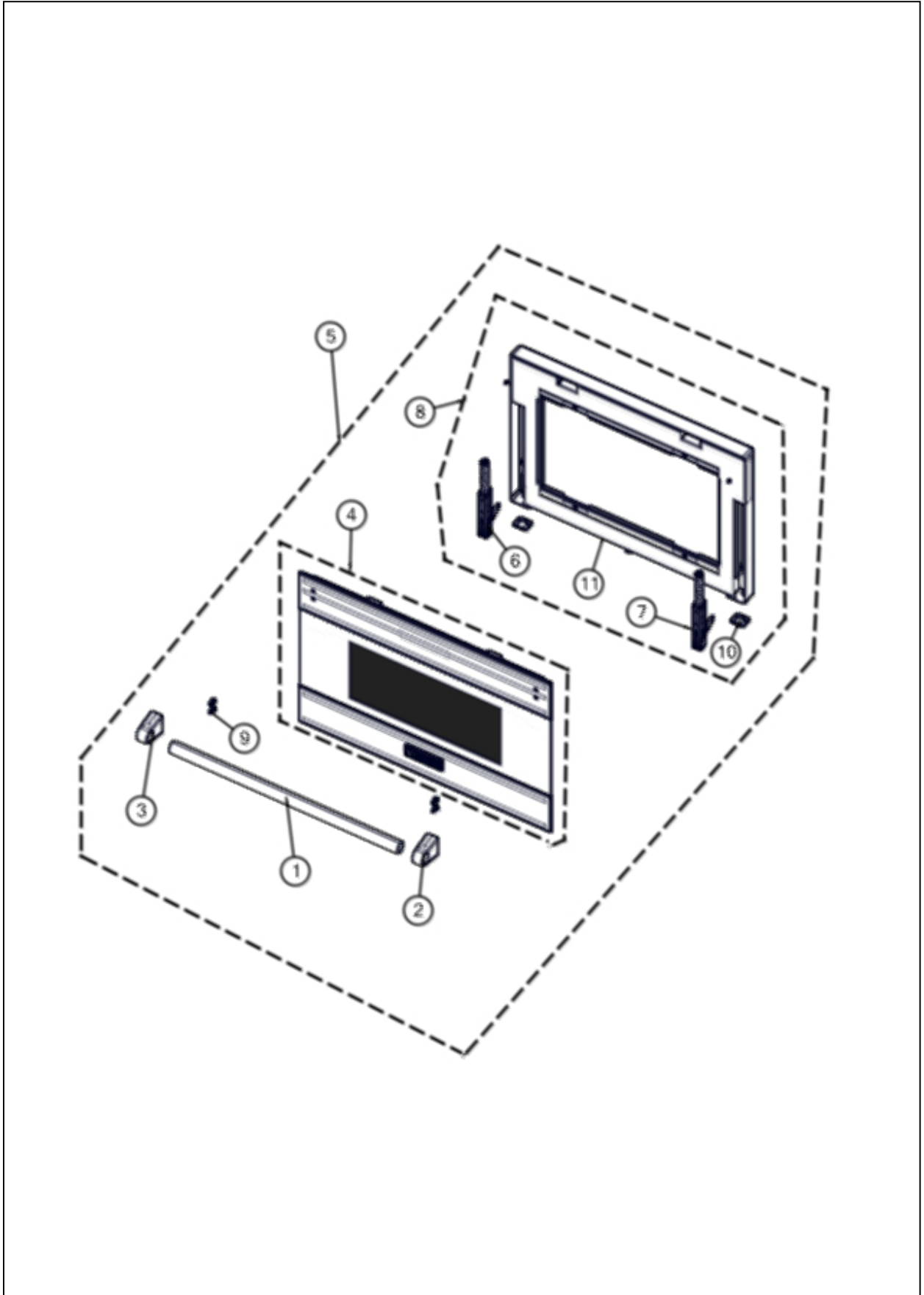
Item	Part No.	Name	Qty	Uom	NOTES
1	000845-000	1/2" COMPRESSION TO 1/2" NPT ADAPTER	1	EA	
2	003860-000	FASTENER,SCR,HXWH,STL,ZP LT,10-18 x .500	1	EA	
3	023883-000	REGULATOR, NAT, CONVERTABLE	1	EA	
3	023884-000	REGULATOR, PRSS, L.P., 10", DESIGNER	1	EA	
4	030973-000	BNR BASE, RAPID, 12000 BTU	1	EA	
5	030974-000	BNR BASE, SEMIRAPID, 8000 BTU	1	EA	
6	030977-000	BNR BASE, FISH, 9200 BTU	1	EA	
7	031412-000	BNR CAP, ULTRARAPID, 18000 BTU	1	EA	
8	030984-000	FISH BNR, 9200 BTU	1	EA	
9	031022-000	BNR BASE, ULTRARAPID, 18000 BTU	1	EA	
10	031416-000	BNR HEAD, ULTRARAPID, 18000 BTU	1	EA	
11	035795-000	MODULE, IGN, GAS,SNGL	1	EA	
12	031393-000	RF BURNER TUBING	1	EA	
13	031388-000	LR BURNER TUBE	1	EA	
14	031392-000	RR BURNER TUBING	1	EA	
15	031393-000	RF BURNER TUBING	1	EA	
16	031400-000	FISH BURNER TUBING	1	EA	
17	031412-000	BNR CAP, ULTRARAPID, 18000 BTU	1	EA	
18	031413-000	BNR CAP, RAPID, 12000 BTU	1	EA	
19	031414-000	BNR CAP, SIMIRAPID, 80000 BTU	1	EA	
20	043670-000	MANIFOLD, GAS, 30"	1	EA	
21	031416-000	BNR HEAD, ULTRARAPID, 18000 BTU	1	EA	
22	031417-000	BNR HEAD, RAPID, 12000 BTU	1	EA	
23	031418-000	BNR HEAD, SEMIRIPID, 8000 BTU	1	EA	
24	PD010012	1/4 x 3/8 VALVE BOLT	5	EA	
25	031804-000	VALVE, BURNER, TOP, NAT	5	EA	





Item	Part No.	Name	Qty	Uom	NOTES
27	034765-000	1/2" FEMALE PIPE TO 1/2" COMPRESSION FITTING	1	EA	
28	039214-000	TUBING, FLEX, SST, 18"	1	EA	
NI	043850-000	RANGES LP TOP BURNER ORIFICES	1	EA	

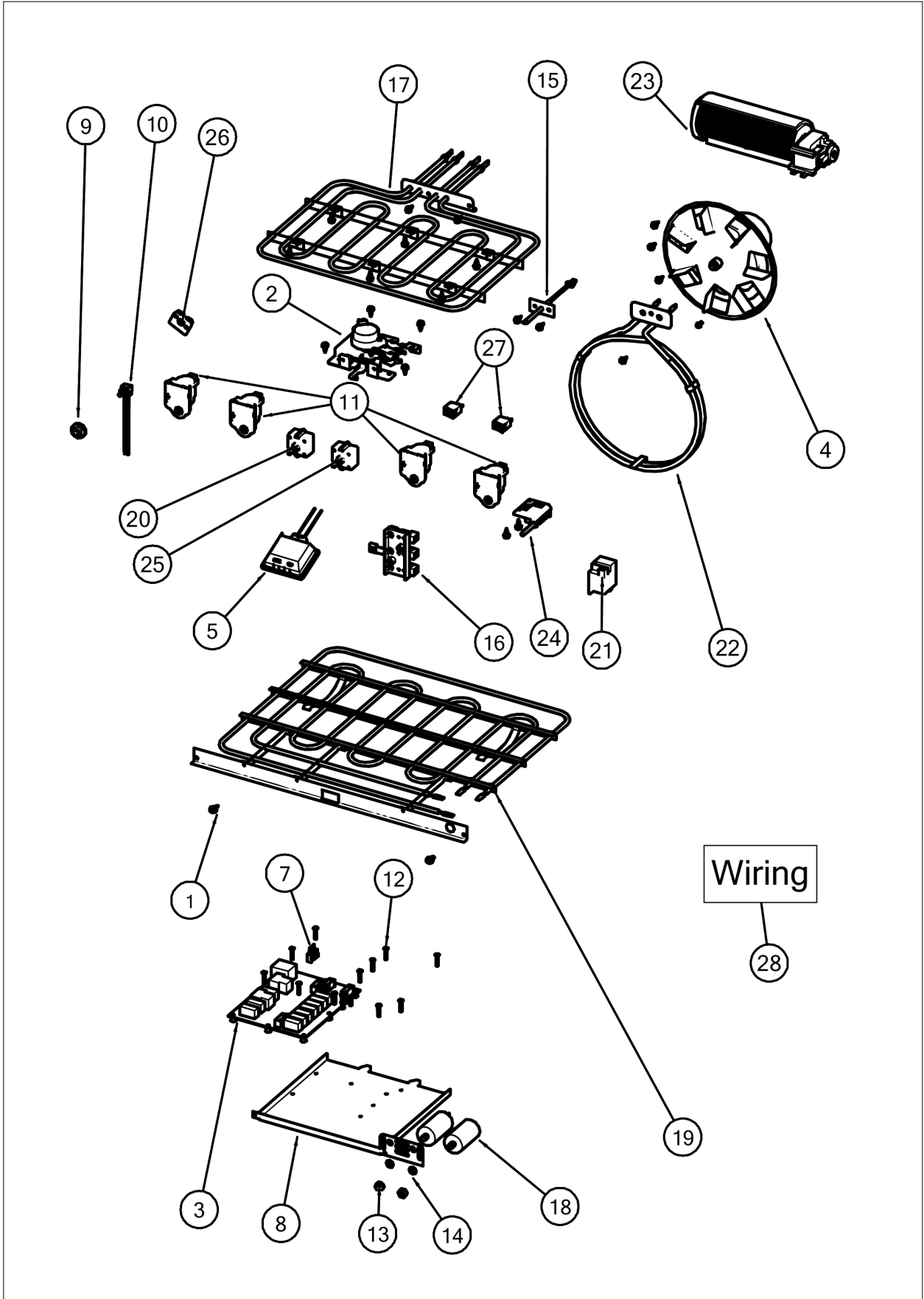
DOOR



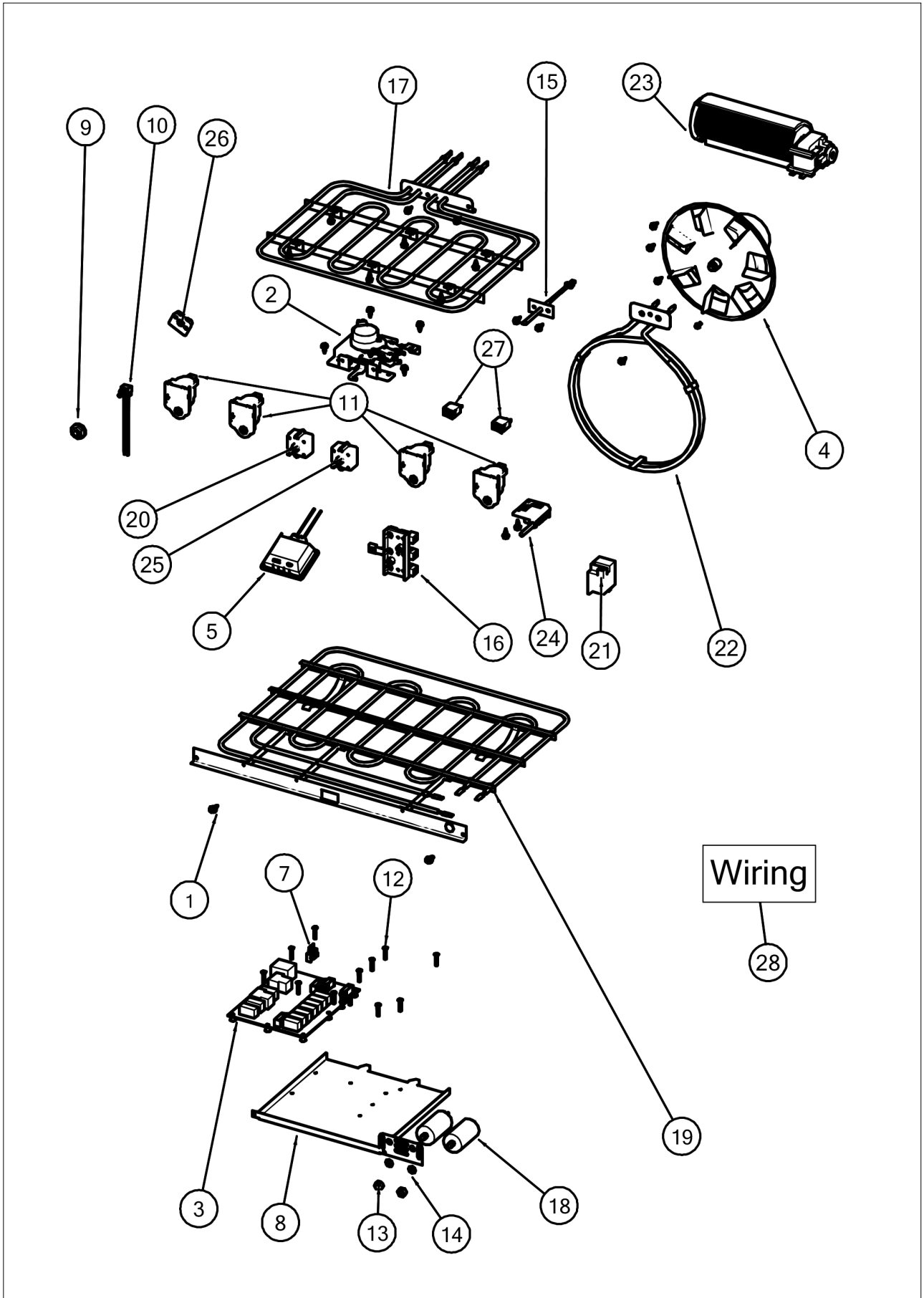


Item	Part No.	Name	Qty	Uom	NOTES
1	035590-000	W/O DF GAS SS HANDLE	2	EA	
2	026954-000	ENDCAP,HDL	1	EA	
3	026965-000	END CAP, ASM, DOOR HANDLE	1	EA	
4	042068-000	DOOR, OUTER, D3PO, 30" SS, VIKING, ASSY	1	EA	
5	052713-000	DOOR, RNG, ELEC, VIKING, SS, ASSY	1	EA	
6	046547-000	HINGE, NUOVA STAR, LH, WHITE	1	EA	
7	046546-000	HINGE, NUOVA STAR, RH, WHITE	1	EA	
8	049014-000	LINER, DOOR ASSY 30"	1	EA	
9	014221-000	1/4-20 X .625 HEX 316 SS	4	EA	
10	048954-000	SHIM, HINGE, DF	2	EA	
11	049013-402	LINER, DOOR, WLD, ASSY 30" BK	1	EA	

ELECTRICAL



Item	Part No.	Name	Qty	Uom	NOTES
1	003860-000	FASTENER,SCR,HXWH,STL,ZP LT,10-18 x .500	19	EA	
2	013250-000	LATCH, DOOR, ASM,240V,GRIDDLE LOCKOUT ASSY	1	EA	
Not Shown	NOTE	BEFORE 10/31/13		EA	
2	039293-000	LATCH, ELEC, 240V, ASSY	1	EA	
Not Shown	NOTE	AFTER 10/31/13		EA	
3	000621-000	CONTROL BOARD	1	EA	
4	015394-000	FAN, CNVN, ASM	1	EA	
5	020403-000	BJB SLIMLINE 40W BULB	1	EA	
7	005292-000	MODEL 5 HEADER	1	EA	
8	015096-000	PLATE, MTG, EOC4 CONTROL BOARD	1	EA	
9	036576-000	SWITCH ASSY	1	EA	
10	G40015469	LIGHT SWITCH ASSEMBLY	1	EA	
11	PA020058	MODULE, SPARK, IRIS, SINGLE	4	EA	
12	PD020043	PHILLIPS C.S. TYPE F	14	EA	
13	PD030172	M8 X 1.25MM NUT	2	EA	
14	PD040164	5/16 INTERNAL TOOTH LOCK WASHER TYPE A	2	EA	
15	PE050206	RTD CEILING	1	EA	
16	PE070147	TERMINAL BLOCK (VDSC)	1	EA	
17	PJ010004	BAKE ELEMENT (VDSC) 240V	1	EA	
18	PE050247	EBM FAN MOTOR CAPACITOR	2	EA	
Comments for Part Num. PE050247 bradleysapplianceservice@shaw.ca on Feb 2, 2016 SUBS TO: 036047-000					
19	PJ010048	BAKE ELEMENT	1	EA	
20	PJ030033	SELECTOR (10 POS)	2	EA	
21	018607-000	FAN, BLO, 220-240V 50/60Hz ASSY	1	EA	
22	PJ010047	CONVECTION ELEMENT	1	EA	
23	000915-000	LIMIT JUMPER	1	EA	



Item	Part No.	Name	Qty	Uom	NOTES
24	PE050208	DOOR SWITCH	1	EA	
25	PJ030035	THERMOSTAT	1	EA	
26	PE070734	SINGLE OVEN HEADER	1	EA	
27	043135-000	HOUSING, LIGHT, LED, BLUE 3.3V	2	EA	
28	004133-000	CONTROL PANEL HARNESS	1	EA	
28	024869-000	RIBBON CABLE, RH	1	EA	
28	023096-000	ADAPTER, HARN, ASM, LIGHT, SWITCH	1	EA	
28	004132-000	OVEN HARNESS	1	EA	
28	057635-000	WIRE, IRIS, IGNITOR, FRONT- 18"	2	EA	
28	057634-000	WIRE, IRIS, IGNITOR, REAR- 24"	3	EA	
28	051443-000	LED VOLTAGE DROP JUMPER 240V	2	EA	
28	PE070739	BAKE ELEMENT HARNESS	1	EA	
28	PE070754	TEST HARNESS SINGLE	1	EA	
28	004295-000	HARNESS,POWER,IRIS,45" LONG	1	EA	



Appendix A:Pages Index

BASE 1
CONTROL 3
DECOR 5
DOOR 6
ELECTRICAL 7
GAS 4
SURFACE 2



Appendix B:Parts Index

000621-000	7	024869-000	7
000845-000	4, 5	026954-000	6
000915-000	7	026965-000	6
003052-000	1	027968-000	3
003272-000	1	030973-000	4, 5
003333-000	1	030974-000	4, 5
003356-000	1	030977-000	4, 5
003860-000	1, 2, 4, 5, 7	030984-000	4, 5
004110-000	1	031004-000	2
004132-000	7	031005-000	2
004133-000	7	031022-000	4, 5
004285-000	1	031073-000	2
004295-000	7	031074-000	2
005255-000	1	031223-000	2
005292-000	7	031224-000	2
013250-000	7	031225-000	2
013526-000	1	031388-000	4, 5
013528-000	1	031392-000	4, 5
013542-000	1	031393-000	4, 4, 5, 5
013547-000	1	031400-000	4, 5
013563-000	1	031412-000	4, 4, 5, 5
013572-000	1	031413-000	4, 5
014221-000	6	031414-000	4, 5
014240-000	1	031416-000	4, 4, 5, 5
014246-000	1	031417-000	4, 5
014553-000	1	031418-000	4, 5
014554-000	1	031430-000	2
015096-000	7	031804-000	4, 5
015106-000	2	032857-000	1
015394-000	7	032858-402	1
015607-000	1	033181-000	2
015615-000	1	034765-000	4, 5
018607-000	7	034927-000	1
019185-000	1	034928-000	1
019186-000	1	035590-000	6
020403-000	7	035795-000	4, 5
023096-000	7	036576-000	7
023883-000	4, 5	038704-000	2
023884-000	4, 5	038705-000	2
024234-000	1	039090-2393	3
		039145-000	1



039155-000	1	E2109655	1
039214-000	4, 5	G40015469	7
039293-000	7	PA010093	3
042068-000	6	PA020058	7
042263-000	3	PB010304	3
042264-000	3	PB020275	1
042266-000	3	PC030007	1
042267-000	3	PD010012	4, 5
043135-000	7	PD020043	7
043670-000	4, 5	PD020046	3
043681-402	2	PD020048	1
043698-000	2	PD020061	1
043850-000	4, 5	PD020261	2, 3
045060-000	1	PD030109	1
046546-000	6	PD030172	7
046547-000	6	PD040004	3
048194-000	1	PD040164	7
048199-000	1	PE050206	7
048200-000	1	PE050208	7
048458-000	1	PE050247	7
048954-000	6	PE070147	7
049013-402	6	PE070734	7
049014-000	6	PE070739	7
049133-000	1	PE070754	7
049755-000	1, 1	PJ010004	7
049784-000	1	PJ010047	7
049785-000	1	PJ010048	7
051443-000	7	PJ030033	7
051590-000	1	PJ030035	7
052713-000	6	PM010014	1
052956-000	1		
057634-000	7		
057635-000	7		
A20010101	1		
A20012649	1		
A20014021	1		
A20014044	1		
A2002195	1		
A2002454	1		
A2009641	1		
A2009697	1		