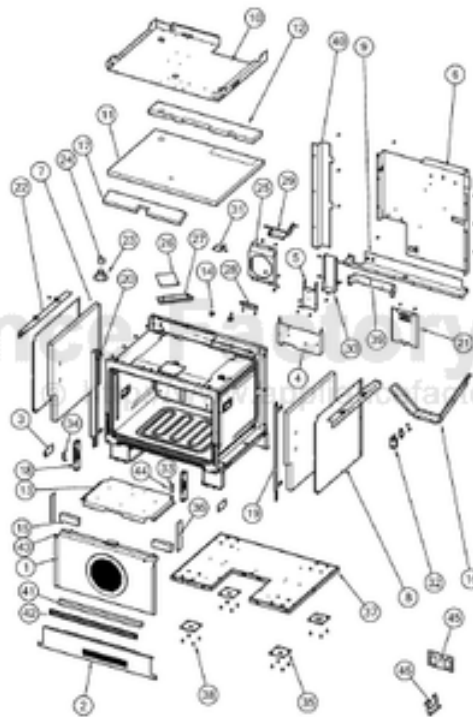


This Owner's Manual is provided and hosted by [Appliance Factory Parts](#).



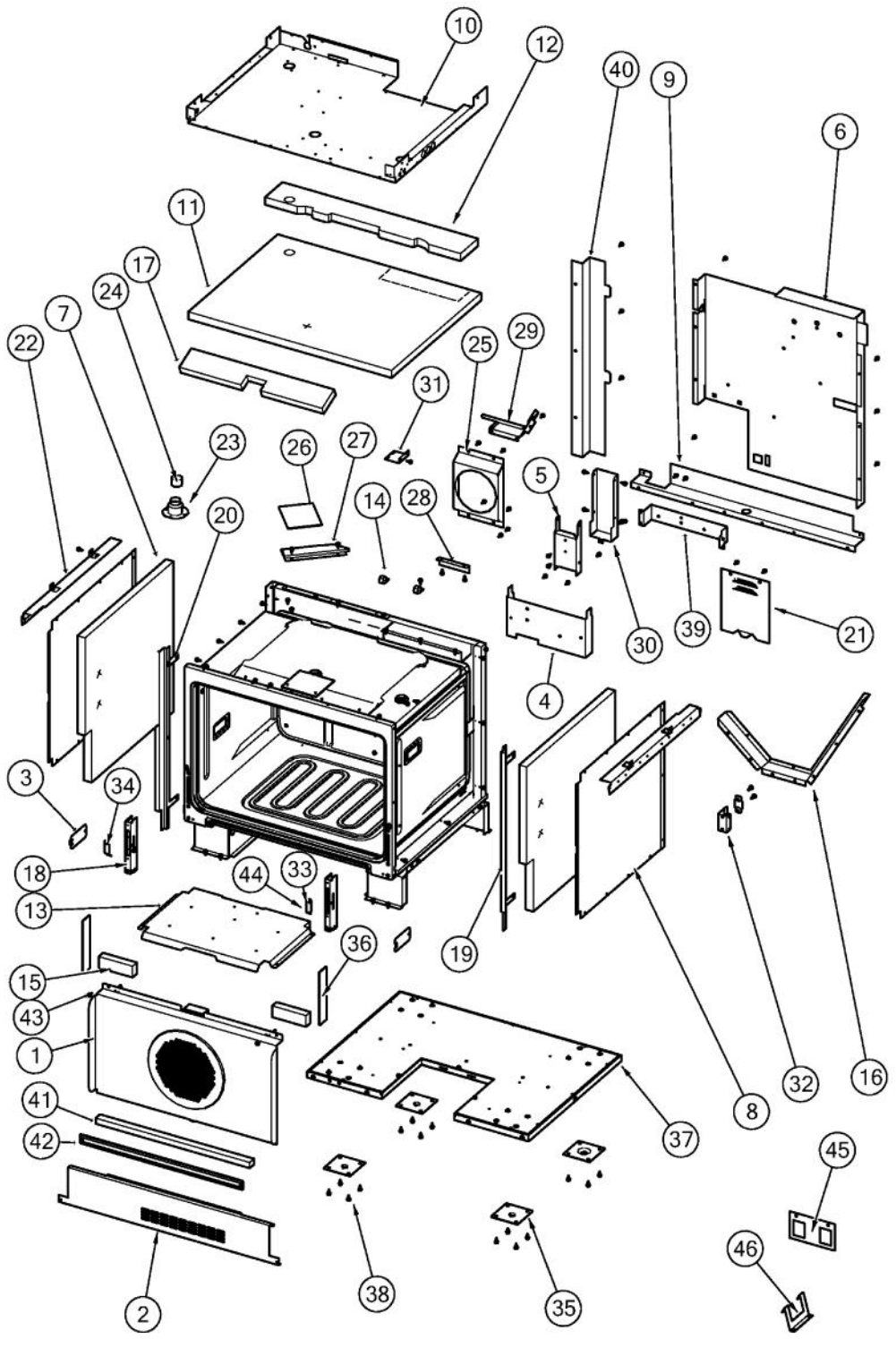
VIKING RVDR3305B Owner's Manual

[Shop genuine replacement parts for VIKING
RVDR3305B](#)

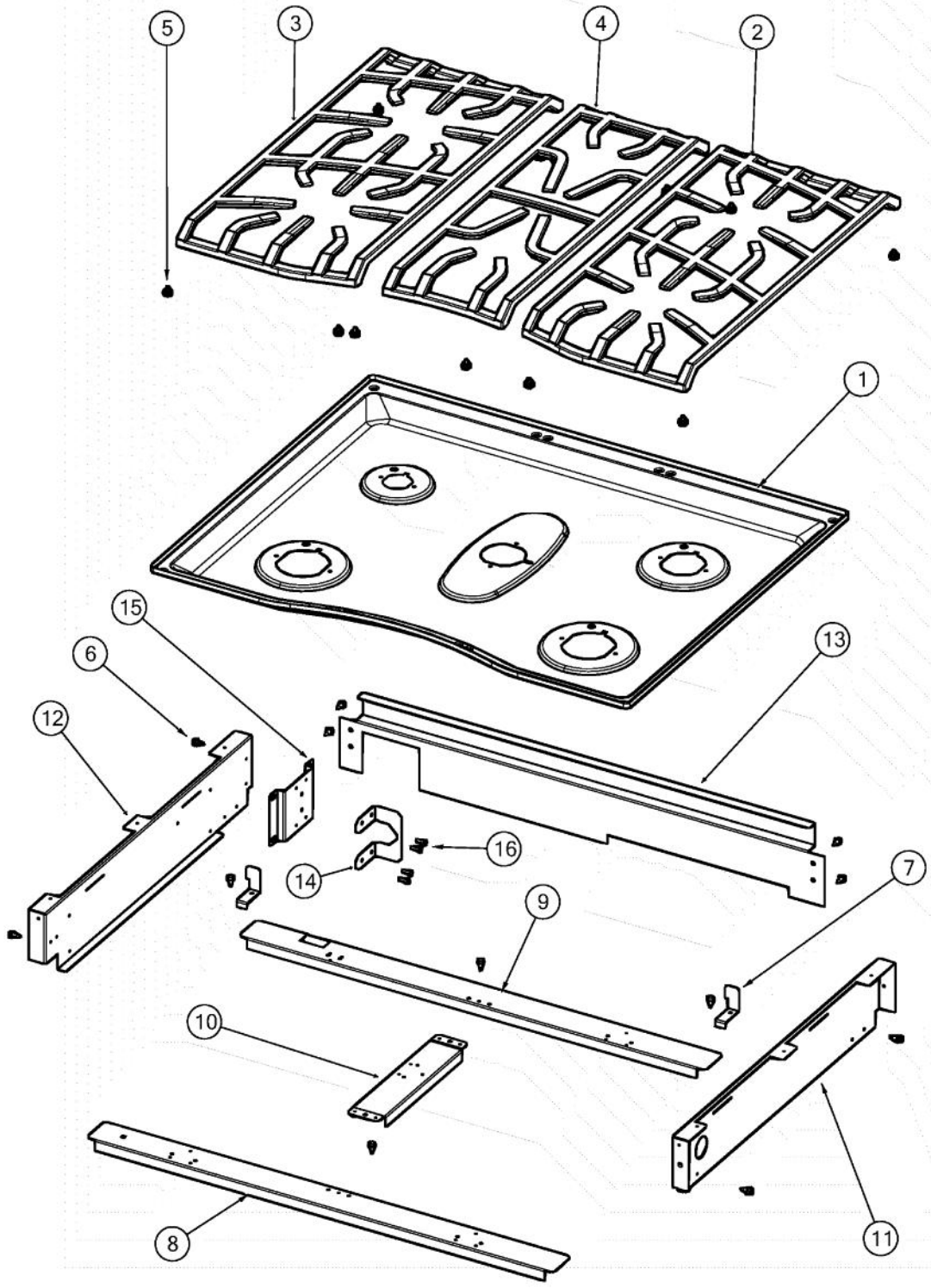


[Find Your VIKING Range Hoods Parts - Select From 411 Models](#)

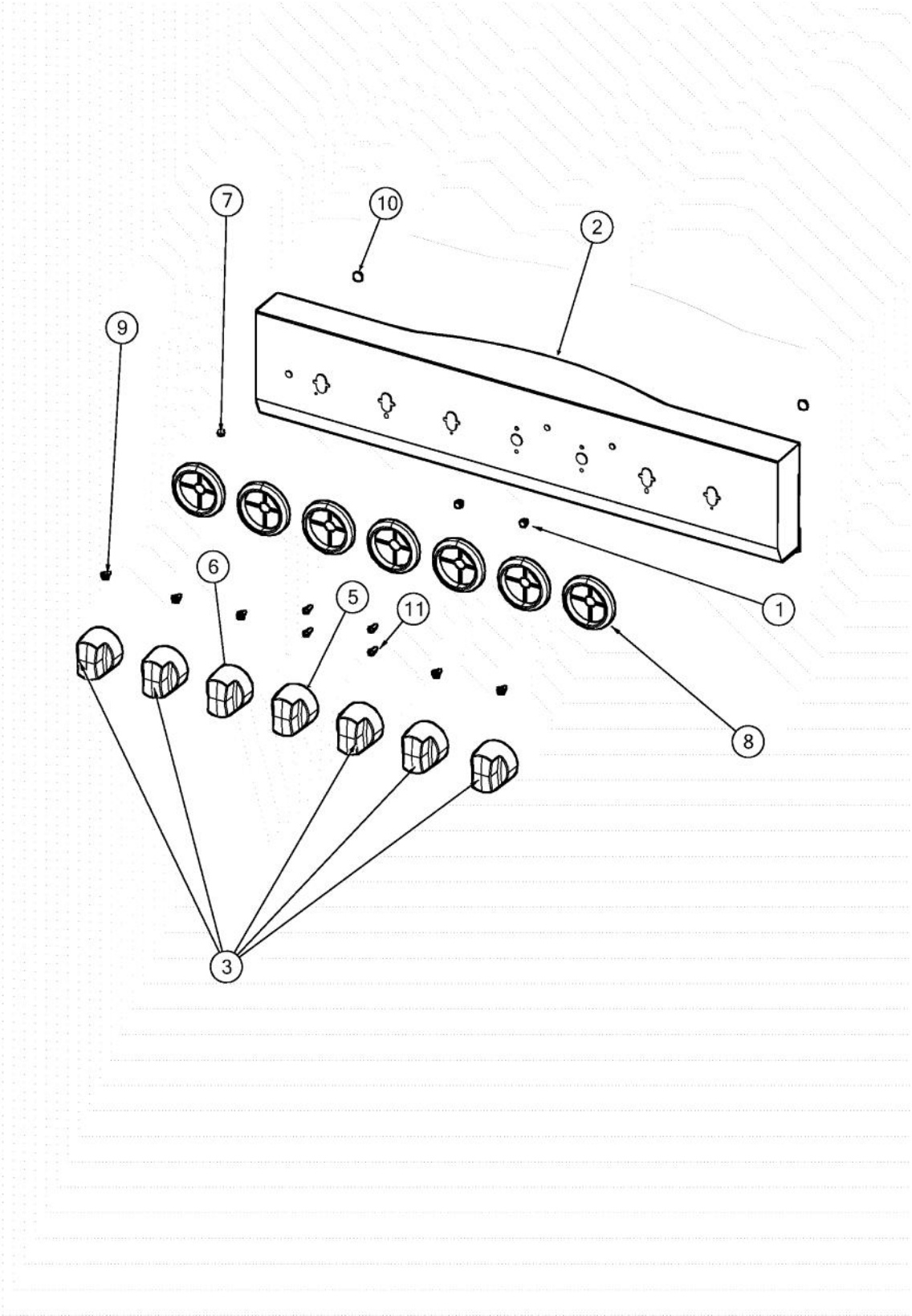
----- Manual continues below -----



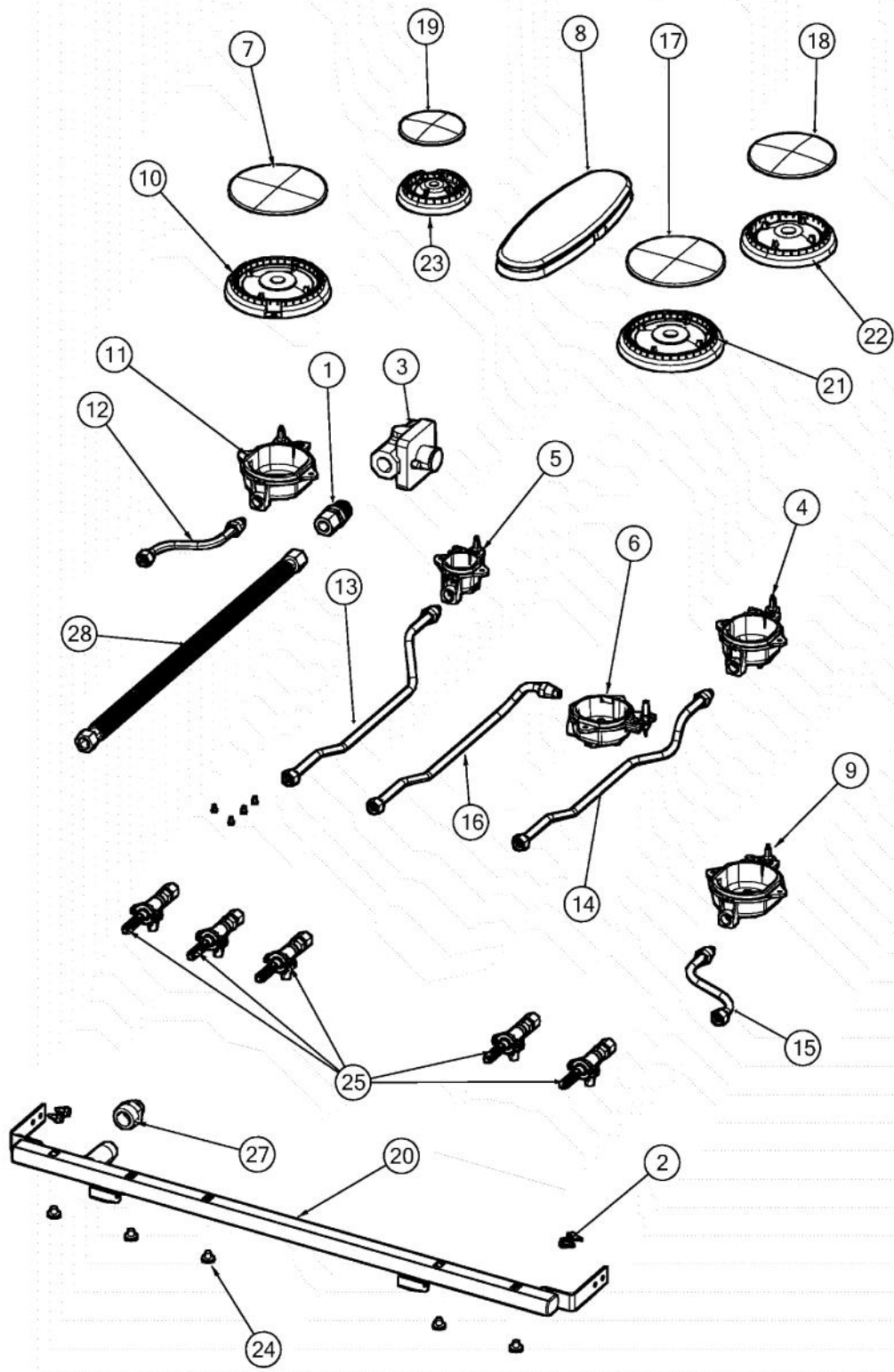
Ref #	Part Number	Qty.	Description
1	032857-000	1	BAFFLE, CONV, ASM, D3, BLACK?
2	014246-000	1	GRILL, LOWER
3	032858-402	2	COVER, LT, BK PORCELAIN
4	014553-000	1	DUCT, AIR
5	014554-000	1	BOX, FLUE, FRONT
6	003272-000	1	COVER, REAR
7	013528-000	2	30 SIDE INSULATION
8	014137-000	2	WRAPPER, OVEN SIDE
9	014240-000	1	LEDGE, BACK
10	015615-000	1	BRACE, RNG, AIR CHANNEL
11	013526-000	1	30 TOP INSULATION
12	013542-000	1	30 TOP BROIL INSULATION
13	A20014021	1	REFLECTOR, BROIL
14	PD030109	2	INSULATED CLAMP
15	005255-000	2	HINGE INSULATION
16	002941-000	1	BAFFLE, FAN, REAR
17	013563-000	1	LINER FRONT INSULATION
18	031679-000	2	RECEPTACLE, HINGE
19	019185-000	1	TRIM, FR, RH, DSCD
20	019186-000	1	TRIM, FR, LH, DSCD
21	A2002454	1	BACK COVER ACCESS DOOR
22	A2009641	2	BRKT, TOP WRAPPER
23	PM010014	1	SMOKE ELIMINATOR (VDSC)
24	PB020275	1	VENT TUBE
25	A2009697	1	BRACKET, CONVECTION INSULATION
26	004285-000	1	INSULATION, FOIL-BACKED, 4X5
27	003333-000	1	DUCT, FLUE
28	A20014044	1	BROIL ELEMENT SHIELD
29	003356-000	1	DIVERTER, AIR
30	A20010101	1	FLUE, OUTSIDE SHELL
31	A20012649	1	DOOR SWITCH BRACKET
32	A2002195	1	POWER CORD MOUNTING BRKT (VDSC)
33	039145-000	1	RETAINER, HINGE
34	039155-000	1	RETAINER, HINGE
35	PC030007	4	LEG PLATE - 3/4 THREADED HOLE
36	013572-000	2	HINGE INSULATION
37	003052-000	1	BASE TOP PLATE
38	003860-000	16	NO.10-18 X .500 FASTNR, SCR, HXWH, STL, ZPLT
39	004110-000	1	MOUNT, BLOWER
40	015607-000	1	CHANNEL, WIRE, DSCD
41	013547-000	1	BAKE ELEMENT INSULATION
42	E2109655	1	COVER, BAKE TRAY
43	PD020048	2	NO.10 X 1/2 TEK 410 SS SCREW
44	PD020061	2	NO.8 X 3/4 FLAT HD TEK. SS.
45	034927-000	1	BRACKET, ANTI-TIP
46	034928-000	1	BRACKET, HOOK, ANTI-TIP
NI	049133-000	1	BRACE, FRONT, BURNER BOX



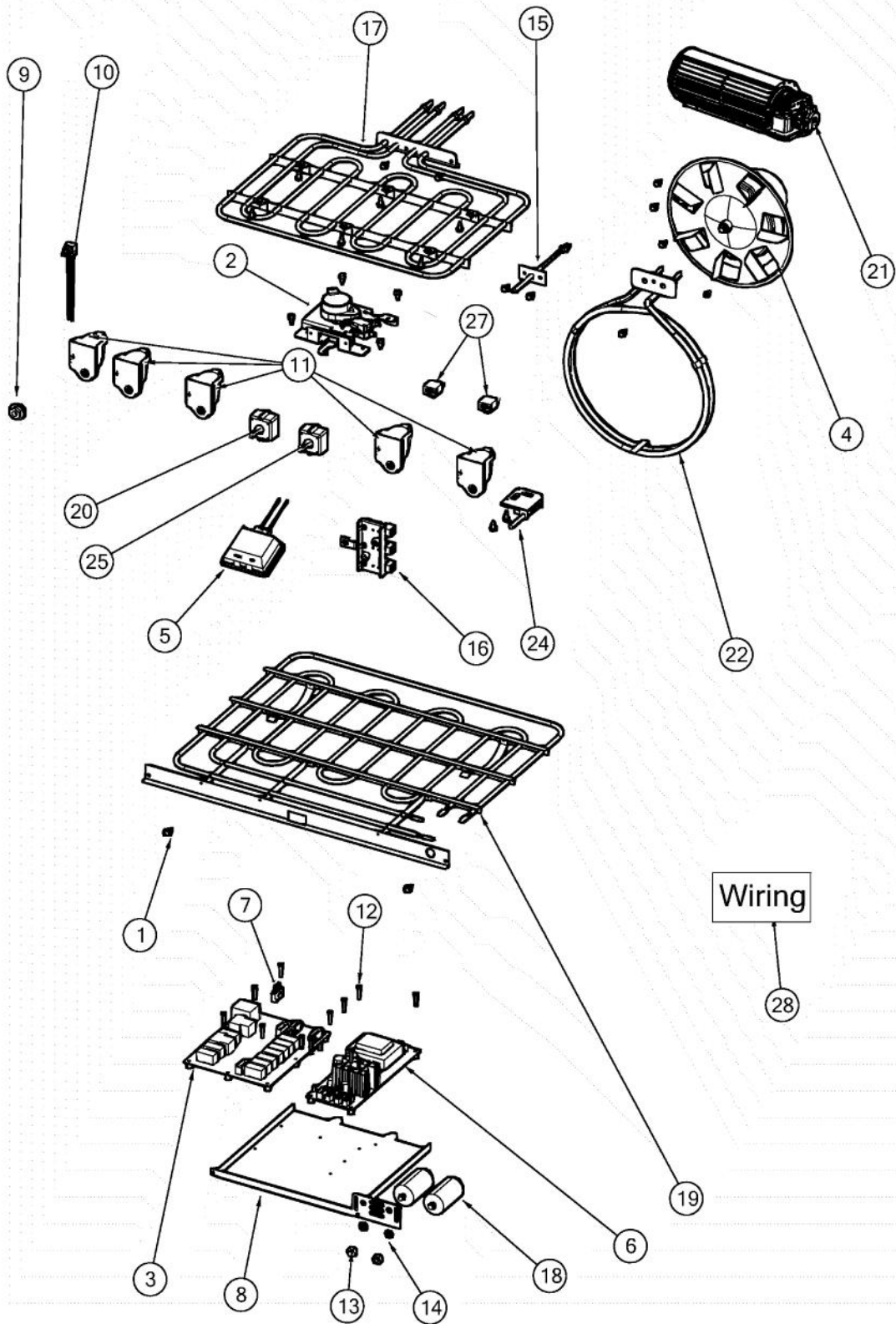
Ref #	Part Number	Qty.	Description
1	043681-402	1	TOP, RANGE, 30
2	031223-000	1	GRATE ASM, RH
3	031224-000	1	GRATE ASM, LH
4	031225-000	1	GRATE ASM, CENTER
5	031430-000	12	GRATE, FOOT
6	003860-000	10	NO.10-18 X .500 FASTNR,SCR,HXWH,STL,ZPLT
7	015106-000	2	SIDE TRIM SUPPORT
8	043698-000	1	CHANNEL, BURNER, FRONT
9	031004-000	1	BURNER CHANNEL, REAR
10	031005-000	1	BURNER CHANNEL, CENTER
11	031073-000	1	PANEL, BURNER BOX SIDE, RH
12	031074-000	1	PANEL, BURNER BOX SIDE, LH
13	033181-000	1	SUPPORT, REAR, D3, DUEL FUEL
14	038704-000	1	REG. MTG. BRKT.
15	038705-000	1	TRAY, REGULATOR
16	PD020261	3	NO.8-32X1/2 PH PANHEAD MACH. SCREW



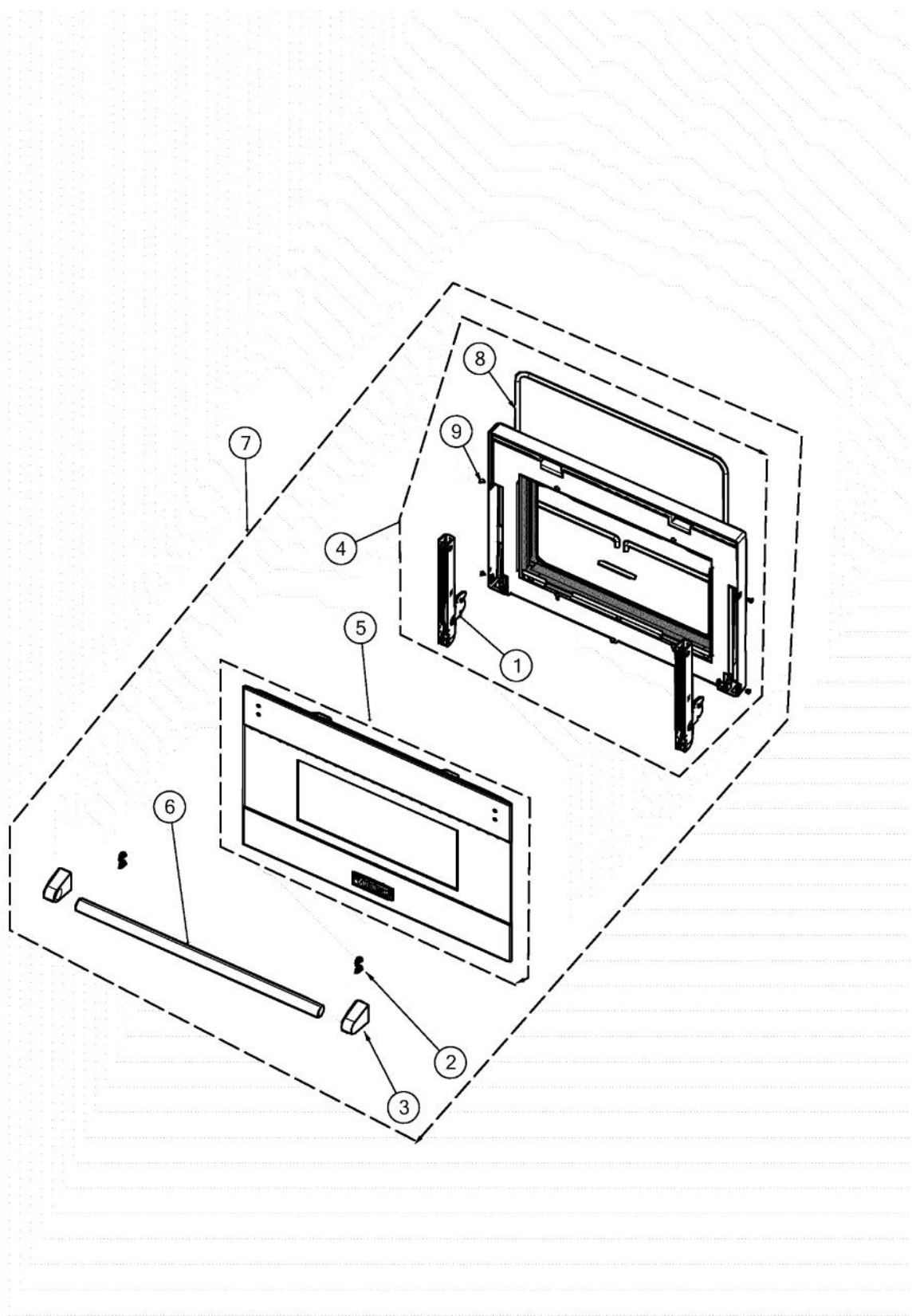
Ref #	Part Number	Qty.	Description
1	027968-000	2	INDICATOR, LIGHT, BLUE
2	039090-2393	1	PANEL, CTRL, RDSCD/RDSCG230 ASM
3	042263-000	5	KNOB, GAS VALVE, RANGE, D3PO, ASSY
4	042264-000	1	KNOB, STACKED GAS VALVE, RANGE, D3PO, ASSY
5	042266-000	1	KNOB, TSTAT, RANGE, D3PO, ASSY
6	042267-000	1	KNOB, SEL, ELEC, RANGE, D3PO, ASSY
7	PA010093	1	DESIGNER OVEN LT SWITCH KNOB
8	PB010304	7	KNOB BEZEL
9	PD020046	5	NO.8 X 1/2 SCREWS
10	PD040004	2	GROMMET BUMPER
11	PD020261	4	NO.8-32X1/2 PH PANHEAD MACH. SCREW



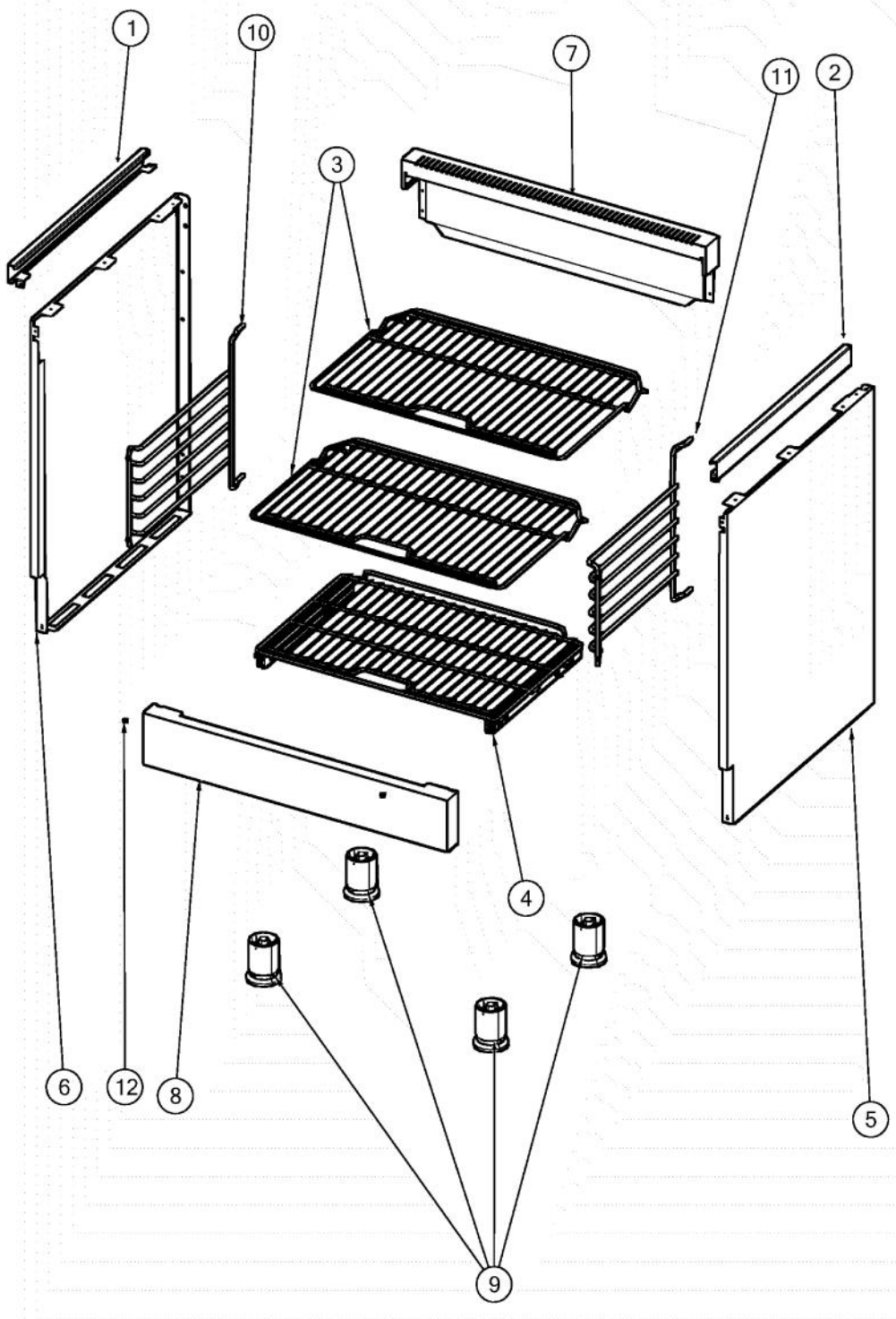
Ref #	Part Number	Qty.	Description
1	000845-000	1	1/2 COMP TO 1/2 MALE NPT ADAPTER
2	003860-000	1	NO.10-18 X .500 FASTNR,SCR,HXWH,STL,ZPLT
3	023883-000	1	REGULATOR, PRSS, NAT, 5, DESIGNER
3	023884-000	1	REGULATOR, PRSS, L.P., 10 DESIGNER
4	030973-000	1	BURNER BASE, 12000 BTU
5	030974-000	1	BURNER BASE, 8000 BTU
6	030977-000	1	BURNER BASE, FISH, 9200 BTU
7	031412-000	1	BURNER CAP, 18000 BTU
8	030984-000	1	FISH BURNER, 92000 BTU
9	031022-000	1	BURNER BASE, 18000 BTU
10	031416-000	1	BURNER HEAD, 18000 BTU
11	043672-000	1	BNR BASE, ULTRARAPID
12	031393-000	1	TUBING, RF BURNER
13	031388-000	1	TUBING, LR BURNER
14	031392-000	1	TUBING, RR BURNER
15	031393-000	1	TUBING, RF BURNER
16	031400-000	1	TUBING, FISH BURNER
17	031412-000	1	BURNER CAP, 18000 BTU
18	031413-000	1	BURNER CAP, 12000 BTU
19	031414-000	1	BURNER CAP, 8000 BTU
20	043670-000	1	MANIFOLD, GAS, 30
21	031416-000	1	BURNER HEAD, 18000 BTU
22	031417-000	1	BURNER HEAD, 12000 BTU
23	031418-000	1	BURNER HEAD, 8000 BTU
24	PD010012	5	VALVE BOLT 1/4-20 UNC-2B 5/16 M.S.
25	031804-000	5	VALVE, TOP BURNER
27	034765-000	1	FITTING, COMPRESSION, CC, 3/8
28	039214-000	1	TUBING, FLEX, SST, 18
NI	043850-000	1	RANGES. LP TOP BURNER ORIFICES



Ref #	Part Number	Qty.	Description
1	003860-000	19	NO.10-18 X .500 FASTNR,SCR,HXWH,STL,ZPLT
2	013250-000	1	LATCH,DOOR,ASM,240V,GRIDDLE LOCKOUT BEFORE 10/31/13
2	039293-000	1	LATCH, ELEC, 240V, ASSY AFTER 10/31/13
3	014000-000	1	EOC4-CONTROL BOARD
4	015394-000	1	FAN, CNVN, ASM
5	020403-000	1	BJB SLIMLINE 40W BULB
6	021340-000	1	LINEAR POWER SUPPLY, SINGLE
7	023022-000	1	MODEL 17 HEADER
8	023825-000	1	TRAY, CNTRL, EOC4 SMPS
9	036576-000	1	SWITCH ASSY
10	G40015469	1	LIGHT SWITCH ASSEMBLY
11	PA020058	4	IRIS SINGLE SPARK MODULE
12	PD020043	14	NO.6-32 X .750 PH. CTRSK T(F)-VGSO166
13	PD030172	2	M8 X 1.25MM NUT
14	PD040164	2	5/16 INTERNAL TOOTH LOCK WASHER TYPE A
15	PE050206	1	RTD THERMOSTAT PROBE
16	PE070147	1	TERMINAL BLOCK
17	PJ010004	1	BAKE ELEMENT (VDSC) 240V
18	PE050247	2	EBM FAN MOTOR CAPACITOR
19	PJ010048	1	BAKE ELEMENT
20	PJ030033	2	SELECTOR (10 POS)
21	018607-000	1	FAN,BLO, 220-240V 50/60HZ ASSY
22	PJ010047	1	CONVECTION ELEMENT
24	PE050208	1	DOOR SWITCH
25	PJ030035	1	THERMOSTAT
27	043135-000	2	HOUSING, LIGHT, LED, BLUE 3.3V
28	020019-000	1	HARNESS, WRG, CONTROL
28	024869-000	1	RIBBON CABLE, RH
28	023096-000	1	ADAPTER, HARN, ASM, LIGHT, SWITCH
28	000647-000	2	IRIS IGNITOR WIRE, FRONT BURNER
28	006766-000	3	IRIS IGNITOR WIRE, BACK BURNER
28	038693-000	1	HARN, MAIN, OVEN, VDSC
28	G4000936	1	GROUND WIRE
28	PE070739	1	BAKE ELEMENT HARNESS
28	043678-000	1	HARNESS, MAIN, RVGR GAS



Ref #	Part Number	Qty.	Description
1	002740-000	2	MANSFIELD HINGE, BLUE SPRING
2	014221-000	4	1/4-20 X .625 HEX 316 SS
3	026965-000	2	END CAP, ASM, DOOR HANDLE
4	032849-000	1	DOOR ASM, D3 RANGE
5	042068-000	1	DOOR, OUTER, D3PO, 30, SS, VIKING, ASSY - SS
5	042083-002	1	DOOR, OUTER, 30, VIKING, ASSY-BK
5	042083-006	1	DOOR, OUTER, 30, VIKING, ASSY-WH
6	035590-000	1	HANDLE, TUBE
7	042526-000	1	DOOR, RNG, ELEC, VIKING, SS ASSY
7	042527-002	1	DOOR, RNG, ELEC, VIKING, BK ASSY
7	042527-006	1	DOOR, RNG, ELEC, VIKING, WH ASSY
8	000042-000	1	30 DOOR GASKET
9	PD020063	8	SCREW-NO.8(A) X 3/8PH WFR HD/BK OXID



Ref #	Part Number	Qty.	Description
1	013986-000	1	TRIM, SIDE, RT D130
2	014543-000	1	TRIM, SIDE, LF, DESIGNER
3	027924-000	2	RACK, OVEN, DUEL FUEL, 30
4	029891-000	1	D3 GLIDE RACK, 30
5	032813-000	1	PANEL, SIDE, RH, D3, SS
5	035006-002	1	PNL, SIDE, RH, D3 - BK
5	035006-006	1	PNL, SIDE, RH, D3 - WH
6	032816-000	1	PANEL, SIDE, LH, D3, SS
6	035005-002	1	PNL, SIDE, LH, D3 - BK
6	035005-006	1	PNL, SIDE, LH, D3 - WH
7	032965-000	1	D3 ISLAND TRIM ASM
8	042511-000	1	KICK PLATE VIKING 30 - SS
8	042777-002	1	KICK PLATE VIKING 30 - BK
8	042777-006	1	KICK PLATE VIKING 30 - WH
9	PC030031	4	ADJUSTABLE LEG
10	036220-402	1	RACK,PRO,ASM,LH, BLACK
11	036216-402	1	RACK,PRO,ASM,RH, BLACK
12	PD020032	2	SRW-8(A)X3/8PH.WFR HD 7/16DIAXNICL