

This Owner's Manual is provided and hosted by [Appliance Factory Parts](#).



VIKING RVER3305 Owner's Manual

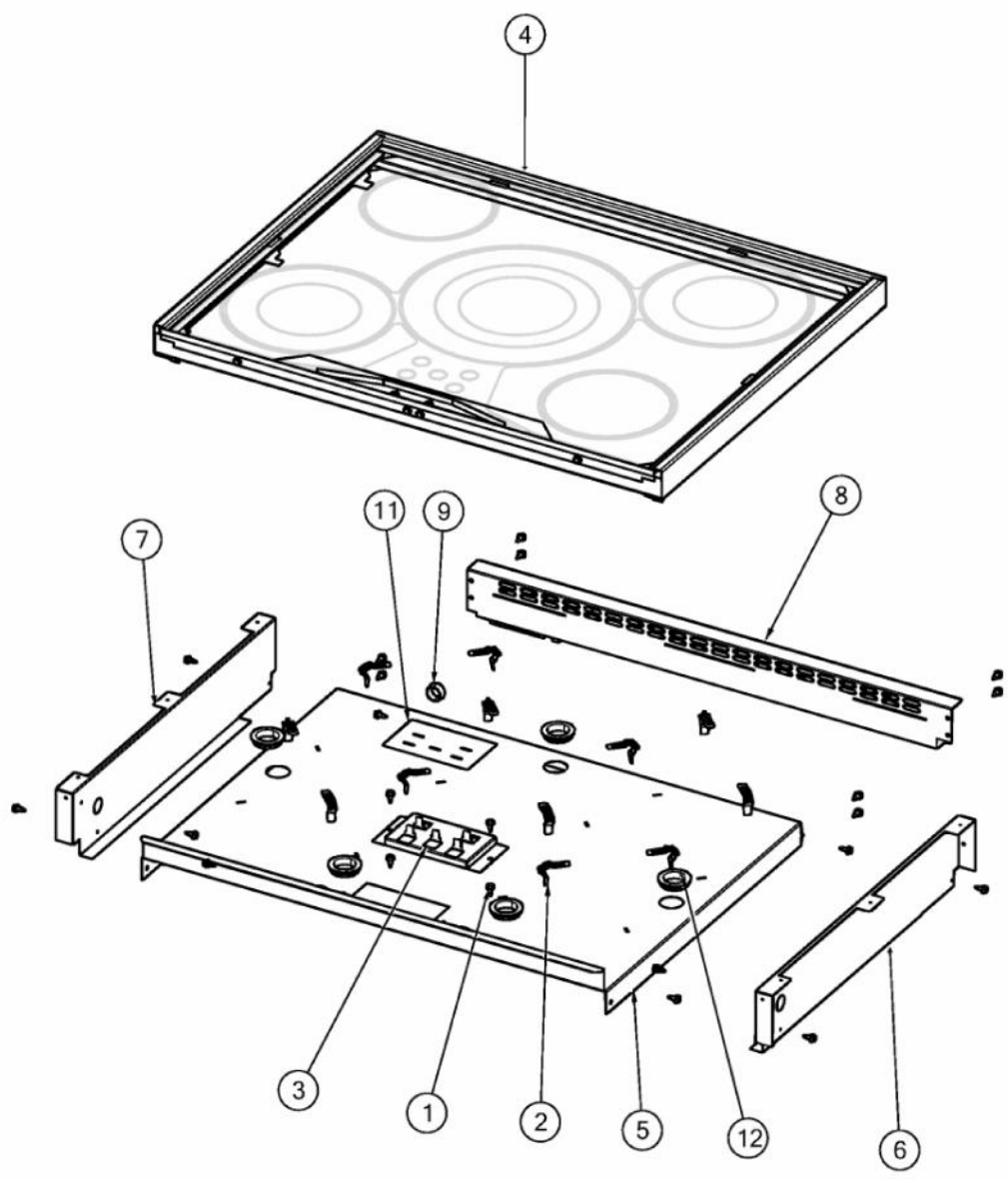
[Shop genuine replacement parts for VIKING RVER3305](#)



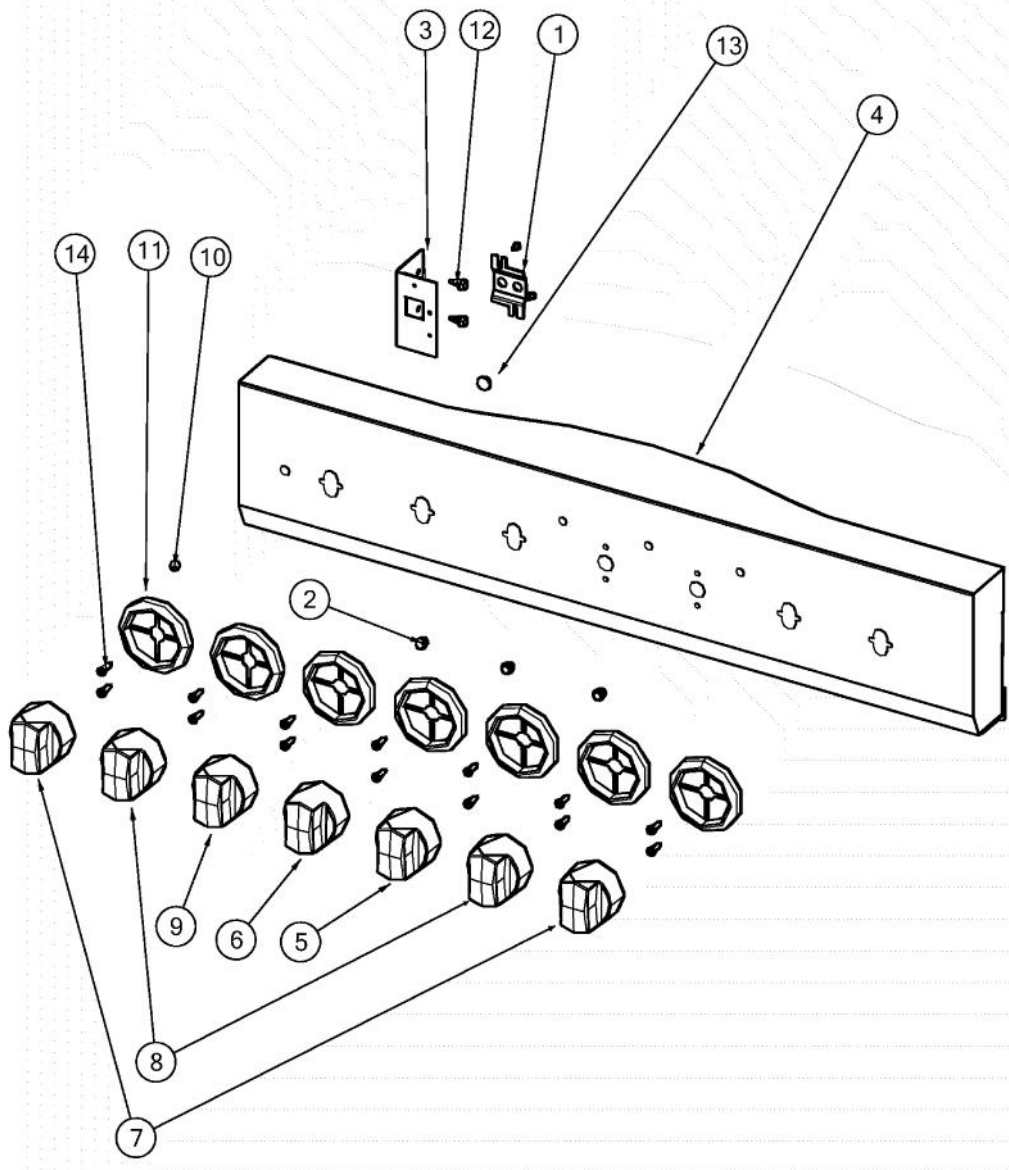
[Find Your VIKING Range Hoods Parts - Select From 411 Models](#)

----- Manual continues below -----

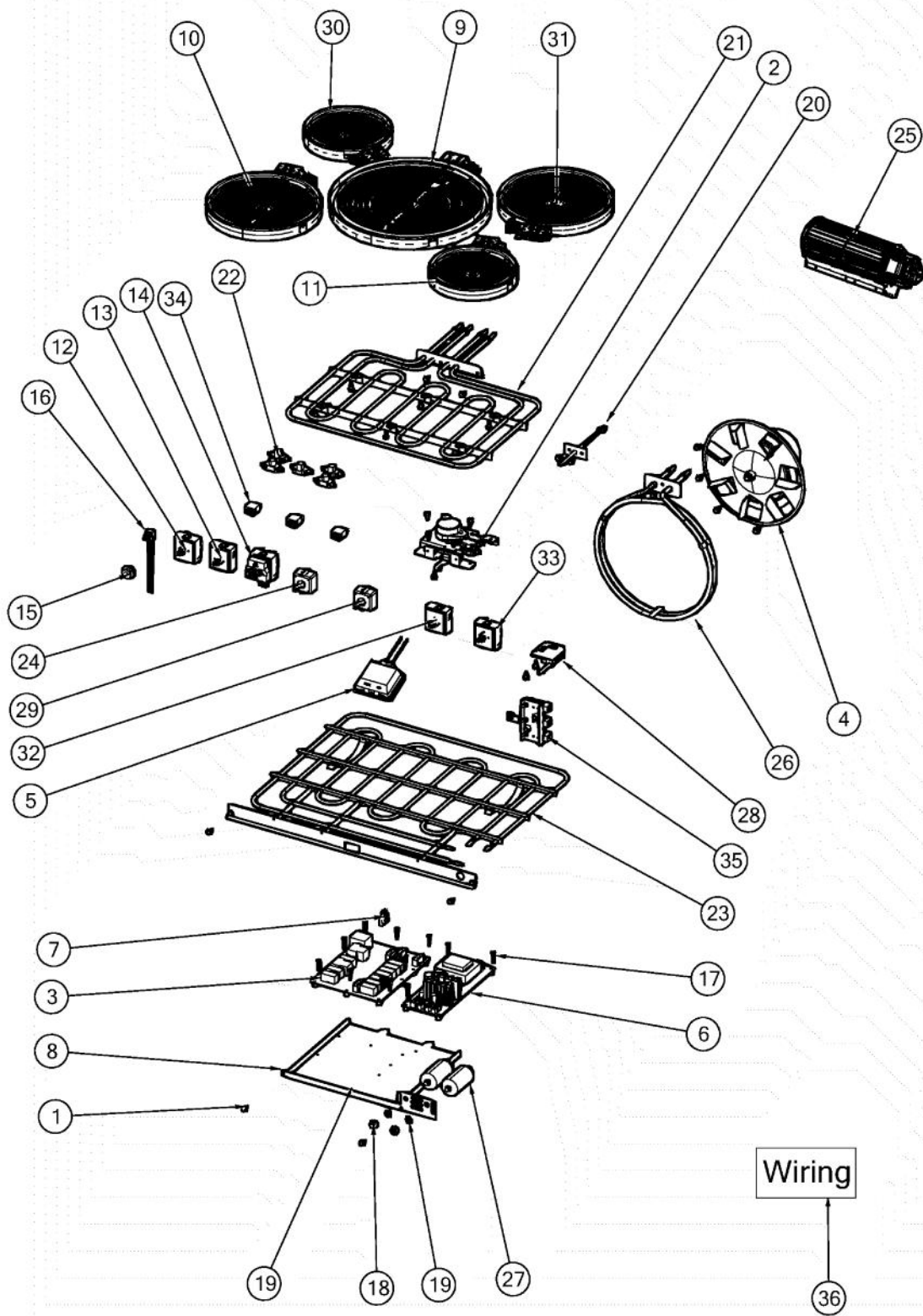
| Ref # | Part Number | Qty. | Description |
|-------|-------------|------|--|
| 1 | 032857-000 | 1 | BAFFLE, CONV, ASM, D3, BLACK? |
| 2 | 014246-000 | 1 | GRILL, LOWER |
| 4 | 003272-000 | 1 | COVER, REAR |
| 5 | 013528-000 | 2 | 30 SIDE INSULATION |
| 6 | 014137-000 | 2 | WRAPPER, OVEN SIDE |
| 7 | 014240-000 | 1 | LEDGE, BACK |
| 9 | 013542-000 | 1 | 30 TOP BROIL INSULATION |
| 10 | 013526-000 | 1 | 30 TOP INSULATION |
| 11 | 013563-000 | 1 | LINER FRONT INSULATION |
| 12 | 015615-000 | 1 | BRACE, RNG, AIR CHANNEL |
| 13 | 004110-000 | 1 | MOUNT, BLOWER |
| 14 | 015607-000 | 1 | CHANNEL, WIRE, DSCD |
| 16 | A2002454 | 1 | BACK COVER ACCESS DOOR |
| 17 | 024415-000 | 1 | TRAY, MTG, DESIGNER |
| 18 | A2002195 | 1 | POWER CORD MOUNTING BRKT (VDSC) |
| 19 | A20010101 | 1 | FLUE, OUTSIDE SHELL |
| 21 | PM010014 | 1 | SMOKE ELIMINATOR (VDSC) |
| 22 | PB020275 | 1 | VENT TUBE |
| 23 | A20012649 | 1 | DOOR SWITCH BRACKET |
| 24 | 033538-000 | 1 | SUPPORT, REAR, RDSCE |
| 25 | 019185-000 | 1 | TRIM, FR, RH, DSCD |
| 26 | 002941-000 | 1 | BAFFLE, FAN, REAR |
| 27 | 013547-000 | 1 | BAKE ELEMENT INSULATION |
| 28 | 032861-000 | 1 | COVER, BAKE TRAY, BK PORC |
| 29 | 005255-000 | 2 | HINGE INSULATION |
| 30 | 031679-000 | 2 | RECEPTACLE, HINGE |
| 32 | 019186-000 | 1 | TRIM, FR, LH, DSCD |
| 33 | A20014044 | 1 | BROIL ELEMENT SHIELD |
| 35 | 014553-000 | 1 | DUCT, AIR |
| 36 | 003356-000 | 1 | DIVERTER, AIR |
| 37 | A2009697 | 1 | BRACKET, CONVECTION INSULATION |
| 38 | 014554-000 | 1 | BOX, FLUE, FRONT |
| 39 | 039145-000 | 1 | RETAINER, HINGE |
| 40 | 039155-000 | 1 | RETAINER, HINGE |
| 41 | 003860-000 | 16 | NO.10-18 X .500 FASTNR, SCR, HXWH, STL, ZPLT |
| 42 | PC030007 | 4 | LEG PLATE - 3/4 THREADED HOLE |
| 43 | 013572-000 | 2 | HINGE INSULATION |
| 44 | 003051-000 | 1 | BASE LOWER PLATE |
| 45 | 034927-000 | 1 | BRACKET, ANTI-TIP |
| 46 | 032858-402 | 2 | COVER, LT, BK PORCELAIN |
| 47 | A20014021 | 1 | REFLECTOR, BROIL |
| 48 | PD030109 | 2 | INSULATED CLAMP |
| 49 | 004285-000 | 1 | INSULATION, FOIL-BACKED, 4X5 |
| 50 | 003333-000 | 1 | DUCT, FLUE |
| 51 | A2009641 | 2 | BRKT, TOP WRAPPER |
| 52 | 034928-000 | 1 | BRACKET, HOOK, ANTI-TIP |



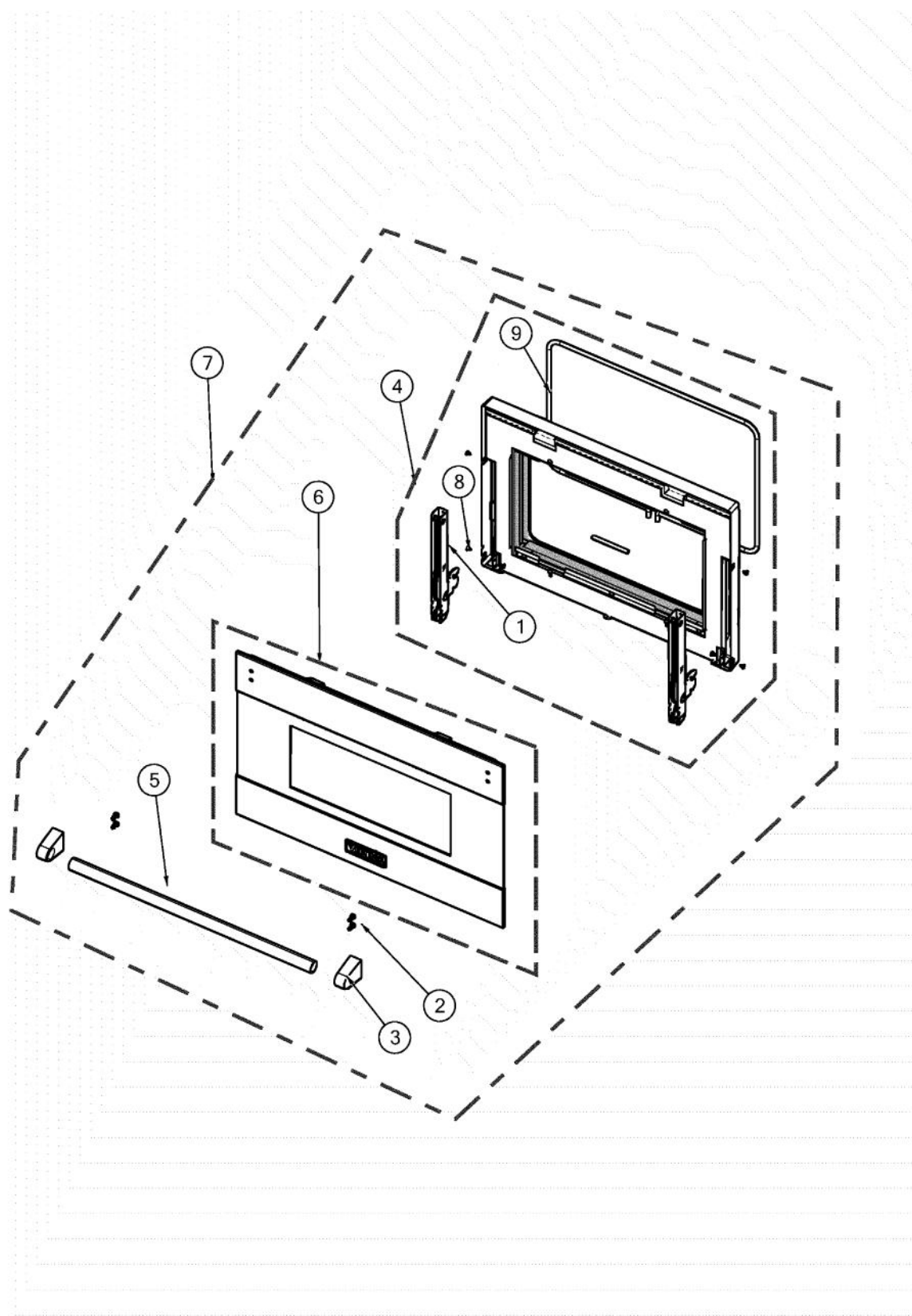
| Ref # | Part Number | Qty. | Description |
|-------|-------------|------|--|
| 1 | 003860-000 | 12 | NO.10-18 X .500 FASTNR,SCR,HXWH,STL,ZPLT |
| 2 | 026923-000 | 12 | CLIP, SPRING, ELECTRIC ELEMENT |
| 3 | 033491-000 | 1 | BRACKET, LIGHT, D3 |
| 4 | 031773-000 | 1 | TOP FRAME ASM W/GRAPHICS, RDSCE230 |
| 5 | 031179-000 | 1 | TRAY, MTG, 5-BURNER |
| 6 | 033521-000 | 1 | BURNER BOX, SIDE, RH, RDSCE |
| 7 | 033534-000 | 1 | BURNER BOX, SIDE, LH, RDSCE |
| 8 | 033538-000 | 1 | SUPPORT, REAR, RDSCE |
| 9 | PD040005 | 1 | SNAP BUSHING - 7/8 |
| 11 | 034673-000 | 1 | INSULATION, ELEC |
| 12 | PB070320 | 8 | SILICONE EXTRUSION |



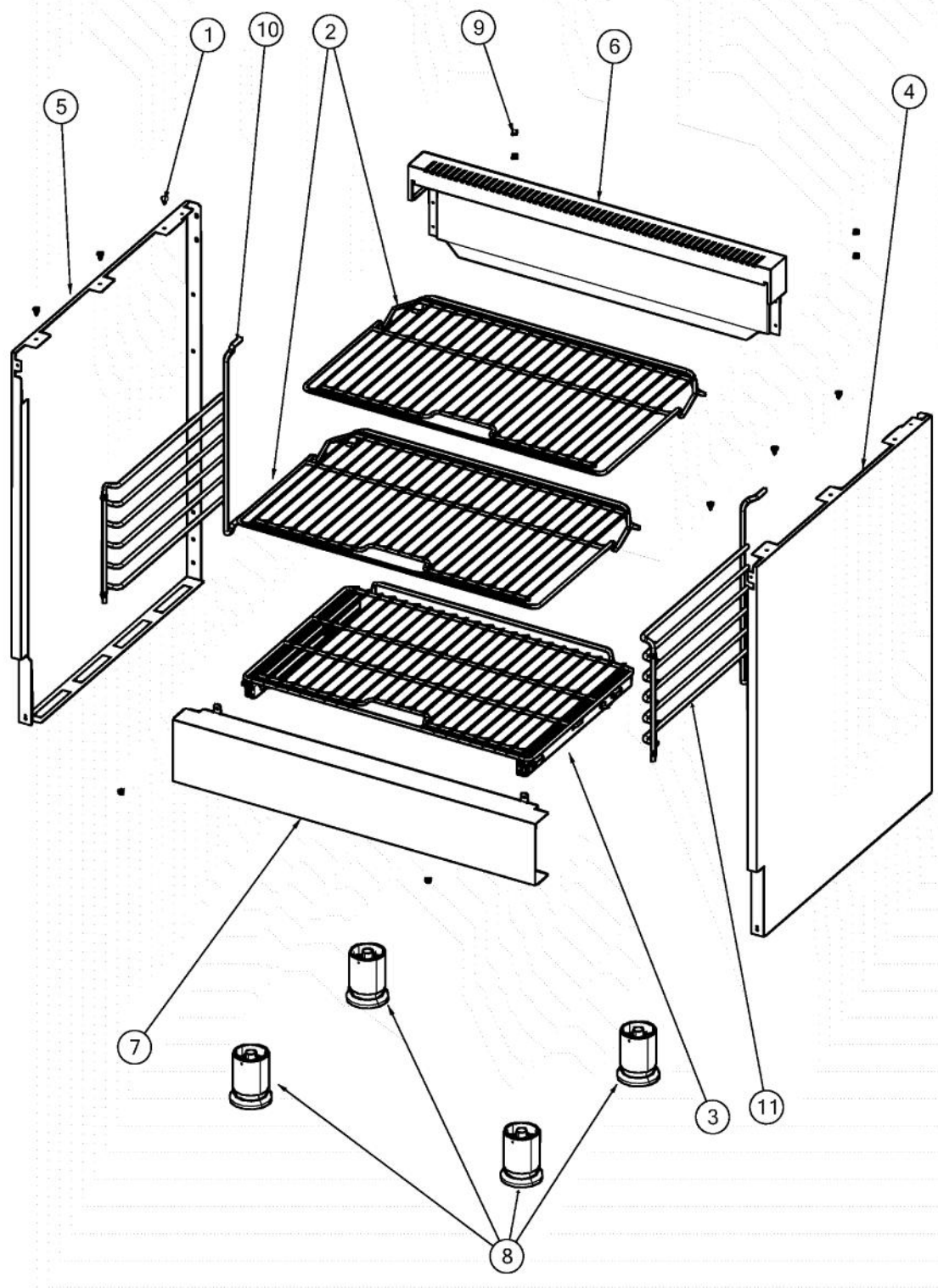
| Ref # | Part Number | Qty. | Description |
|-------|-------------|------|--|
| 1 | 020474-000 | 1 | BRACKET, SW |
| 2 | 027968-000 | 3 | INDICATOR, LIGHT, BLUE |
| 3 | 031462-000 | 1 | BRACKET, LIGHT SWITCH |
| 4 | 039089-2388 | 1 | PANEL, CTRL, RDSCE230 ASM |
| 5 | 042266-000 | 1 | KNOB, TSTAT, RANGE, D3PO, ASSY |
| 6 | 042267-000 | 1 | KNOB, SEL, ELEC, RANGE, D3PO, ASSY |
| 7 | 042268-000 | 2 | KNOB, SNGL INFINITE, RANGE, D3PO, ASSY |
| 8 | 042269-000 | 2 | KNOB, DBL INFINITE, RANGE, D3PO, ASSY |
| 9 | 042270-000 | 1 | KNOB, TRPL INFINITE, RANGE, D3PO, ASSY |
| 10 | PA010093 | 1 | DESIGNER OVEN LT SWITCH KNOB |
| 11 | PB010304 | 7 | KNOB BEZEL |
| 12 | PD020048 | 18 | NO.10 X 1/2 TEK 410 SS SCREW |
| 13 | PD040004 | 2 | GROMMET BUMPER |
| 14 | PD020061 | 14 | NO.8 X 3/4 FLAT HD TEK. SS. |



| Ref # | Part Number | Qty. | Description |
|-------|-------------|------|--|
| 1 | 003860-000 | 17 | NO.10-18 X .500 FASTNR,SCR,HXWH,STL,ZPLT |
| 2 | 013250-000 | 1 | LATCH,DOOR,ASM,240V,GRIDDLE LOCKOUT |
| 3 | 038419-000 | 1 | CONTROL,BD,EOC4, CB |
| 4 | 015394-000 | 1 | FAN, CNVN, ASM |
| 5 | 020403-000 | 1 | BJB SLIMLINE 40W BULB |
| 6 | 021340-000 | 1 | LINEAR POWER SUPPLY, SINGLE |
| 7 | 023022-000 | 1 | MODEL 17 HEADER |
| 8 | 023825-000 | 1 | TRAY, CNTRL, EOC4 SMPS |
| 9 | 031373-000 | 1 | TRIPLE 3200W (1100/1000/1100) ELEMENT |
| 10 | 031376-000 | 1 | DOUBLE 2000W (1000/1000) ELEMENT |
| 11 | 031377-000 | 1 | EGO SINGLE 1200W |
| 12 | 031728-000 | 1 | SINGLE INFINITE SWITCH |
| 13 | 031733-000 | 1 | DUAL INFINITE SWITCH |
| 14 | 031734-000 | 1 | TRIPLE INFINITE SWITCH |
| 15 | 036576-000 | 1 | SWITCH ASSY |
| 16 | G40015469 | 1 | LIGHT SWITCH ASSEMBLY |
| 17 | PD020043 | 13 | NO.6-32 X .750 PH. CTRSK T(F)-VGSO166 |
| 18 | PD030172 | 2 | M8 X 1.25MM NUT |
| 19 | PD040164 | 2 | 5/16 INTERNAL TOOTH LOCK WASHER TYPE A |
| 20 | PE050206 | 1 | RTD THERMOSTAT PROBE |
| 21 | PJ010040 | 1 | LOWER WATT VDSC305 BAKE ELEMENT |
| 22 | PE050077 | 5 | INDICATOR LIGHT |
| 23 | PJ010048 | 1 | BAKE ELEMENT |
| 24 | PJ030033 | 1 | SELECTOR (10 POS) |
| 25 | 018607-000 | 1 | FAN,BLO, 220-240V 50/60HZ ASSY |
| 26 | PJ010047 | 1 | CONVECTION ELEMENT |
| 27 | PE050247 | 2 | EBM FAN MOTOR CAPACITOR |
| 28 | PE050208 | 1 | DOOR SWITCH |
| 29 | PJ030035 | 1 | THERMOSTAT |
| 30 | 031377-000 | 1 | EGO SINGLE 1200W |
| 31 | 031376-000 | 1 | DOUBLE 2000W (1000/1000) ELEMENT |
| 32 | 031733-000 | 1 | DUAL INFINITE SWITCH |
| 33 | 031728-000 | 1 | SINGLE INFINITE SWITCH |
| 34 | 043135-000 | 3 | HOUSING, LIGHT, LED, BLUE 3.3V |
| 35 | PE070147 | 1 | TERMINAL BLOCK |
| 36 | 020019-000 | 1 | HARNESS, WRG, CONTROL |
| 36 | 023096-000 | 1 | ADAPTER, HARN, ASM, LIGHT, SWITCH |
| 36 | 024869-000 | 1 | RIBBON CABLE, RH |
| 36 | 038693-000 | 1 | HARN, MAIN, OVEN, VDSC |
| 36 | 027543-000 | 1 | JMPR, LED, 240V ADPT |
| 36 | PE070739 | 1 | BAKE ELEMENT HARNESS |
| 36 | G4000936 | 1 | GROUND WIRE |
| 36 | 035057-000 | 1 | WIRE HARNESS, LIGHT / SWITCH |
| 36 | 035085-000 | 1 | WIRE HARNESS, MAIN, RDSCE |
| 36 | 035116-000 | 2 | WIRE HARNESS, SWITCH |
| 36 | 035117-000 | 1 | WIRE HARNESS, SWITCH, CTR |



| Ref # | Part Number | Qty. | Description |
|-------|-------------|------|--|
| 1 | 002740-000 | 2 | MANSFIELD HINGE, BLUE SPRING |
| 2 | 014221-000 | 4 | 1/4-20 X .625 HEX 316 SS |
| 3 | 026965-000 | 2 | END CAP, ASM, DOOR HANDLE |
| 4 | 032849-000 | 1 | DOOR ASM, D3 RANGE |
| 5 | 035590-000 | 1 | HANDLE, TUBE |
| 6 | 042068-000 | 1 | DOOR, OUTER, D3PO, 30, SS, VIKING, ASSY - SS |
| 6 | 042083-002 | 1 | DOOR, OUTER, 30, VIKING, ASSY-BK |
| 6 | 042083-006 | 1 | DOOR, OUTER, 30, VIKING, ASSY-WH |
| 7 | 042526-000 | 1 | DOOR, RNG, ELEC, VIKING, SS ASSY |
| 7 | 042527-002 | 1 | DOOR, RNG, ELEC, VIKING, BK ASSY |
| 7 | 042527-006 | 1 | DOOR, RNG, ELEC, VIKING, WH ASSY |
| 8 | PD020063 | 8 | SCREW-NO.8(A) X 3/8PH WFR HD/BK OXID |
| 9 | 000042-000 | 1 | 30 DOOR GASKET |



| Ref # | Part Number | Qty. | Description |
|-------|-------------|------|--------------------------------------|
| 1 | 004526-000 | 6 | FASTENER,SCR,TPGS,TRH,PHLP,NO.10-1/2 |
| 2 | 027924-000 | 2 | RACK,OVEN,DUEL FUEL,30 |
| 3 | 029891-000 | 1 | D3 GLIDE RACK,30 |
| 4 | 032813-000 | 1 | PANEL,SIDE,RH,D3,SS |
| 4 | 035006-002 | 1 | PNL,SIDE,RH,D3-BK |
| 4 | 035006-006 | 1 | PNL,SIDE,RH,D3-WH |
| 5 | 032816-000 | 1 | PANEL,SIDE,LH,D3,SS |
| 5 | 035005-002 | 1 | PNL,SIDE,LH,D3-BK |
| 5 | 035005-006 | 1 | PNL,SIDE,LH,D3-WH |
| 6 | 032965-000 | 1 | D3 ISLAND TRIM ASM |
| 7 | 042511-000 | 1 | KICK PLATE VIKING 30 - SS |
| 7 | 042777-002 | 1 | KICK PLATE VIKING 30 - BK |
| 7 | 042777-006 | 1 | KICK PLATE VIKING 30 - WH |
| 8 | PC030031 | 4 | ADJUSTABLE LEG |
| 9 | PD020032 | 6 | SRW-8(A)X3/8PH.WFR HD 7/16DIAXNICL |
| 10 | 036220-402 | 1 | RACK,PRO,ASM,LH, BLACK |
| 11 | 036216-402 | 1 | RACK,PRO,ASM,RH, BLACK |