

This Owner's Manual is provided and hosted by [Appliance Factory Parts](#).



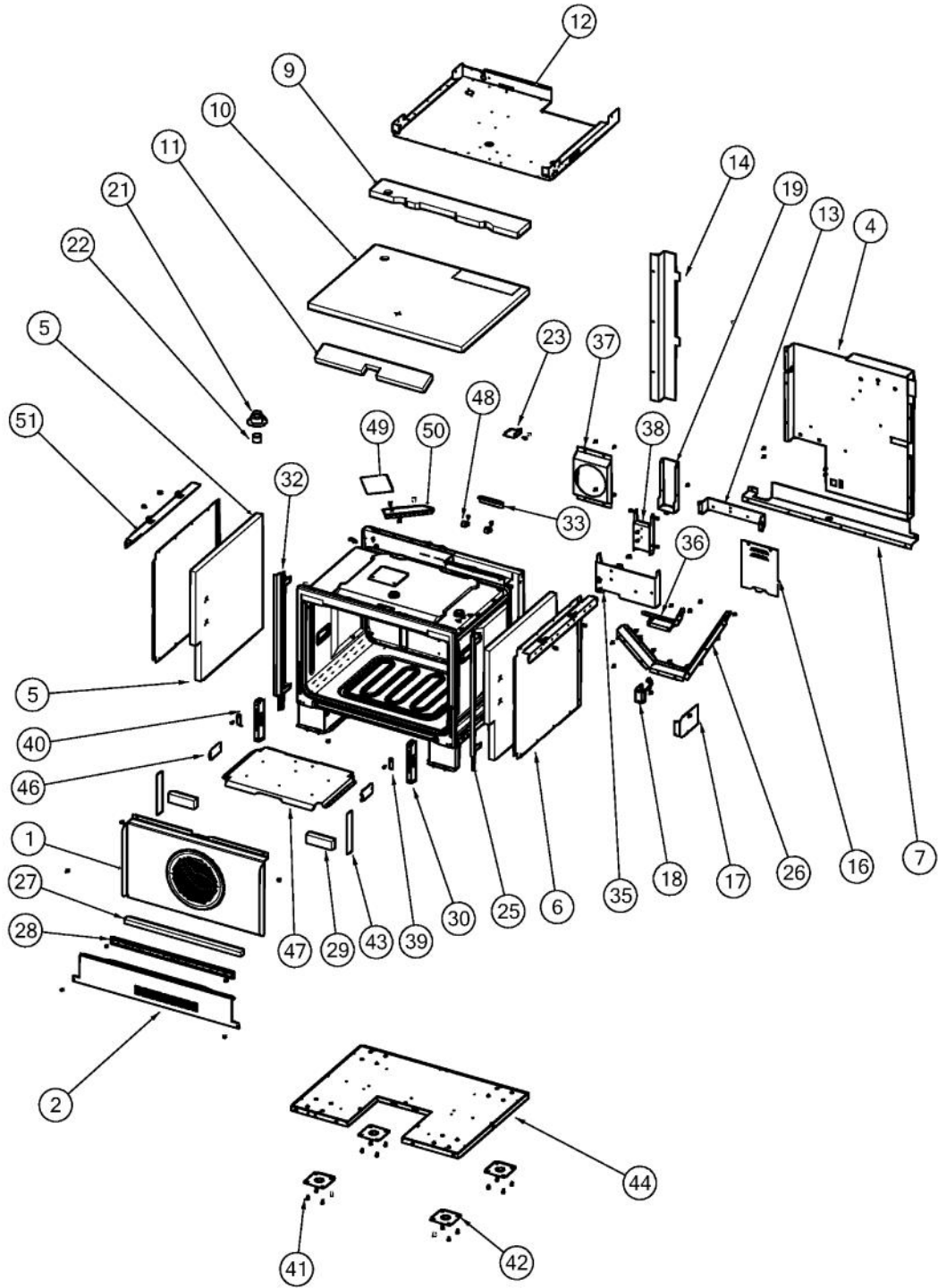
VIKING RVER3305B Owner's Manual

[Shop genuine replacement parts for VIKING
RVER3305B](#)

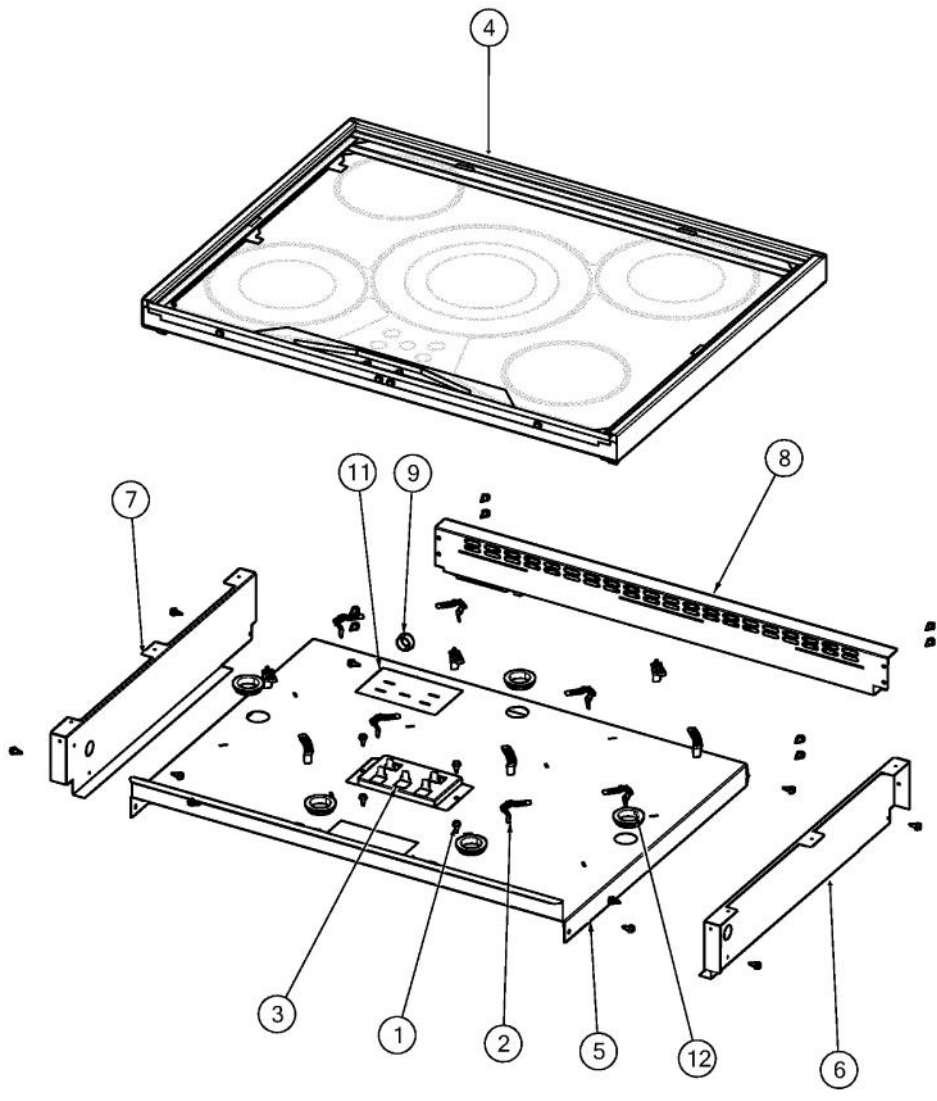


[Find Your VIKING Range Hoods Parts - Select From 411 Models](#)

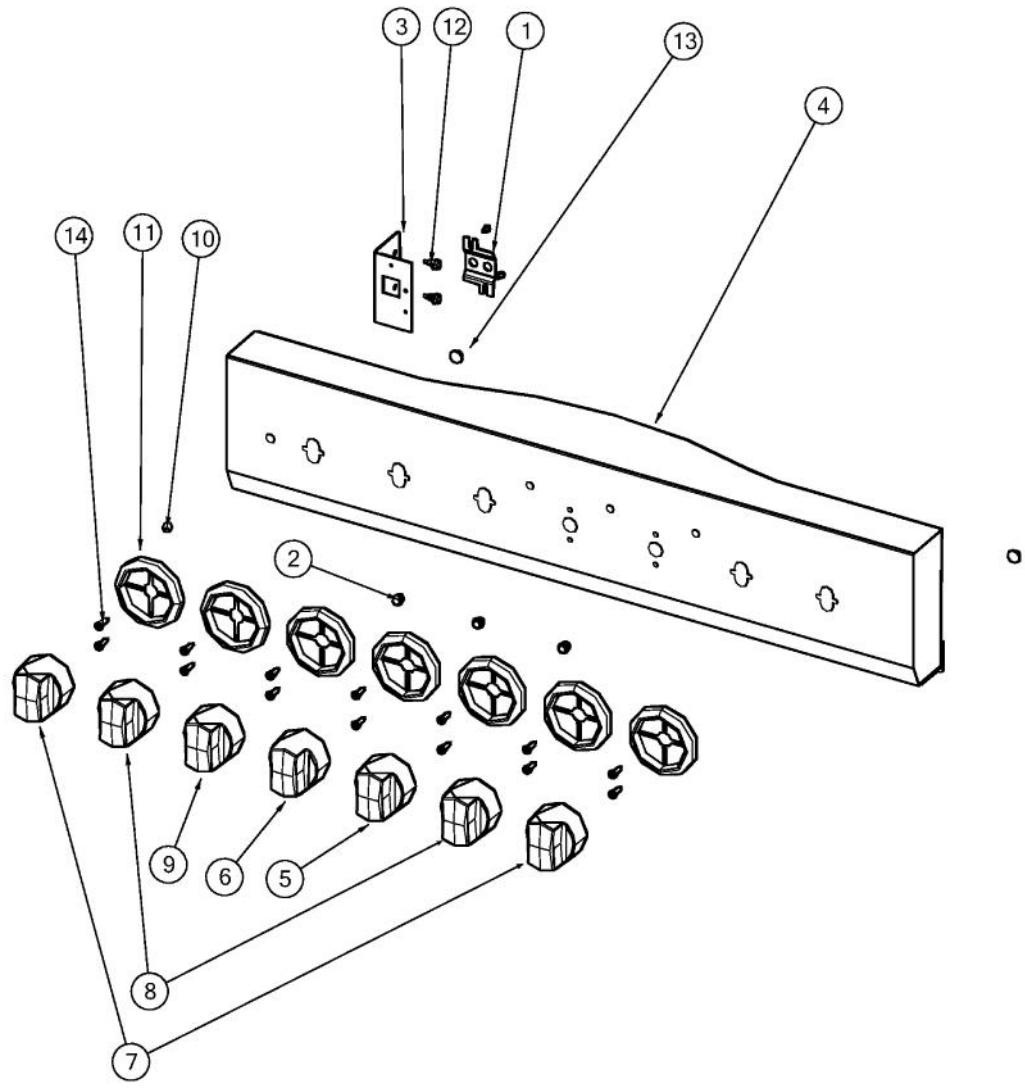
----- Manual continues below -----



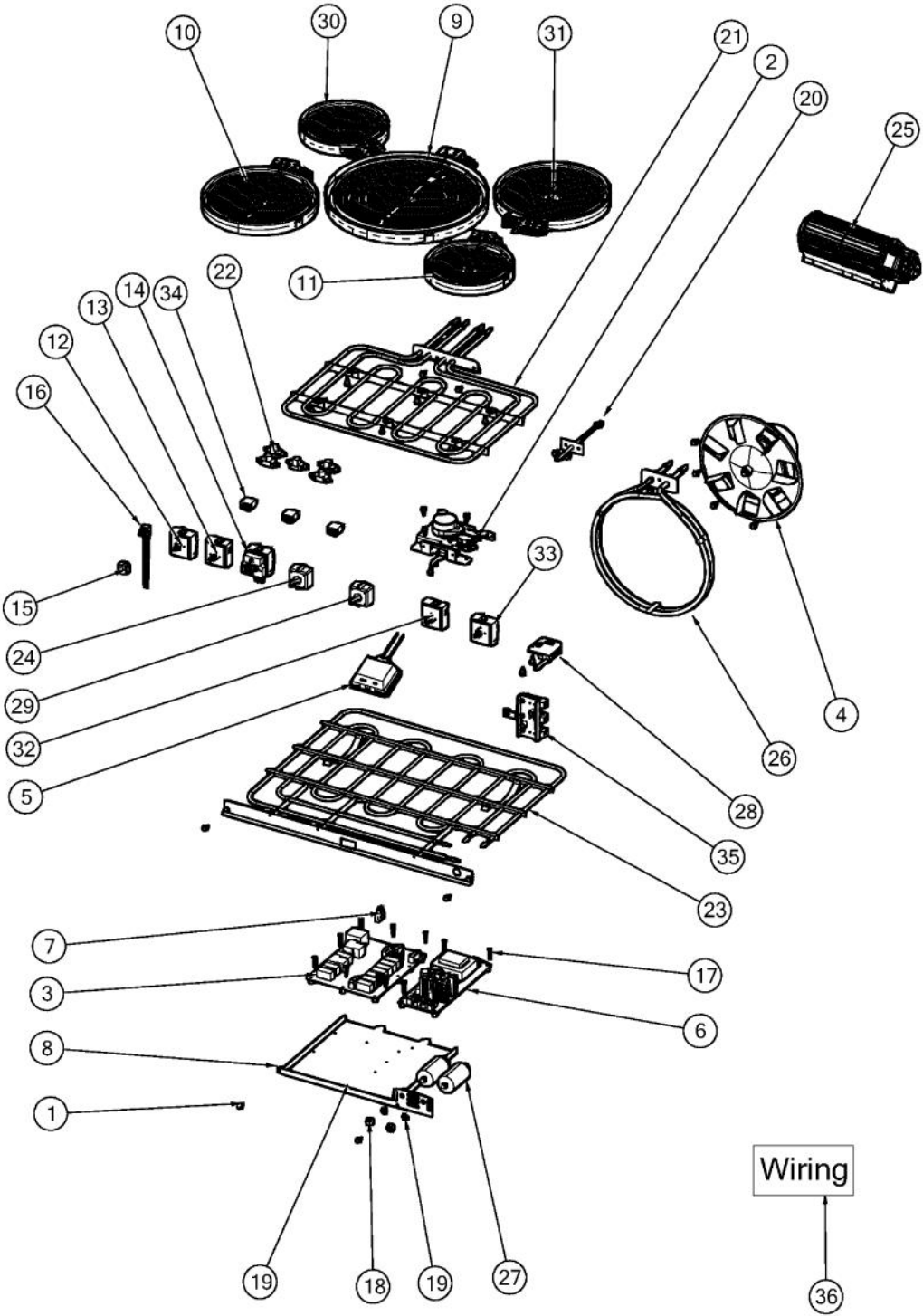
Ref #	Part Number	Qty.	Description
1	032857-000	1	BAFFLE, CONV, ASM, D3, BLACK?
2	014246-000	1	GRILL, LOWER
4	003272-000	1	COVER, REAR
5	013528-000	2	30 SIDE INSULATION
6	014137-000	2	WRAPPER, OVEN SIDE
7	014240-000	1	LEDGE, BACK
9	013542-000	1	30 TOP BROIL INSULATION
10	013526-000	1	30 TOP INSULATION
11	013563-000	1	LINER FRONT INSULATION
12	015615-000	1	BRACE, RNG, AIR CHANNEL
13	004110-000	1	MOUNT, BLOWER
14	015607-000	1	CHANNEL, WIRE, DSCD
16	A2002454	1	BACK COVER ACCESS DOOR
17	024415-000	1	TRAY, MTG, DESIGNER
18	A2002195	1	POWER CORD MOUNTING BRKT (VDSC)
19	A20010101	1	FLUE, OUTSIDE SHELL
21	PM010014	1	SMOKE ELIMINATOR (VDSC)
22	PB020275	1	VENT TUBE
23	A20012649	1	DOOR SWITCH BRACKET
24	033538-000	1	SUPPORT, REAR, RDSCE
25	019185-000	1	TRIM, FR, RH, DSCD
26	002941-000	1	BAFFLE, FAN, REAR
27	013547-000	1	BAKE ELEMENT INSULATION
28	032861-000	1	COVER, BAKE TRAY, BK PORC
29	005255-000	2	HINGE INSULATION
30	031679-000	2	RECEPTACLE, HINGE
32	019186-000	1	TRIM, FR, LH, DSCD
33	A20014044	1	BROIL ELEMENT SHIELD
35	014553-000	1	DUCT, AIR
36	003356-000	1	DIVERTER, AIR
37	A2009697	1	BRACKET, CONVECTION INSULATION
38	014554-000	1	BOX, FLUE, FRONT
39	039145-000	1	RETAINER, HINGE
40	039155-000	1	RETAINER, HINGE
41	003860-000	16	NO.10-18 X .500 FASTNR, SCR, HXWH, STL, ZPLT
42	PC030007	4	LEG PLATE - 3/4 THREADED HOLE
43	013572-000	2	HINGE INSULATION
44	003051-000	1	BASE LOWER PLATE
46	032858-402	2	COVER, LT, BK PORCELAIN
47	A20014021	1	REFLECTOR, BROIL
48	PD030109	2	INSULATED CLAMP
49	004285-000	1	INSULATION, FOIL-BACKED, 4X5
50	003333-000	1	DUCT, FLUE
51	A2009641	2	BRKT, TOP WRAPPER



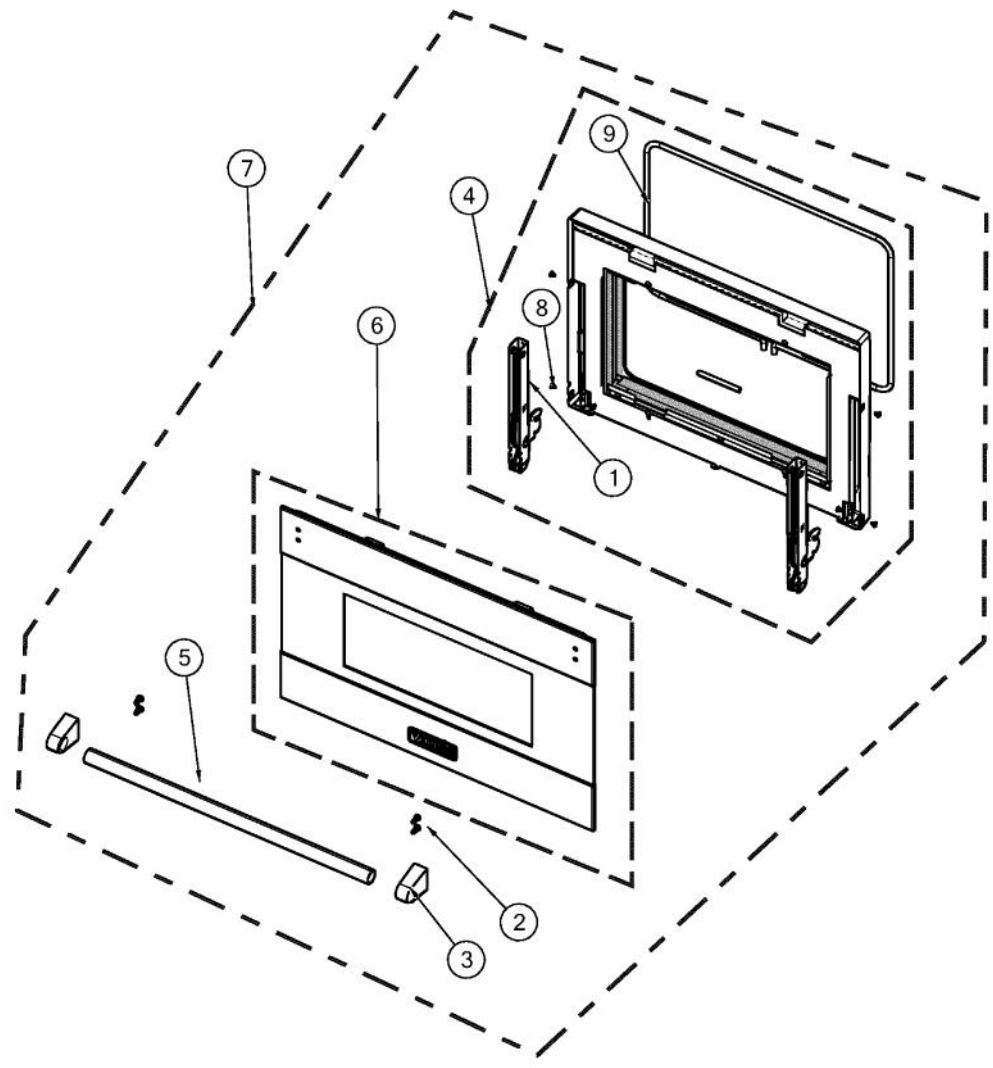
Ref #	Part Number	Qty.	Description
1	003860-000	12	NO.10-18 X .500 FASTNR,SCR,HXWH,STL,ZPLT
2	026923-000	12	CLIP, SPRING, ELECTRIC ELEMENT
3	033491-000	1	BRACKET, LIGHT, D3
4	031773-000	1	TOP FRAME ASM W/GRAPHICS, RDSCE230
5	031179-000	1	TRAY, MTG, 5-BURNER
6	033521-000	1	BURNER BOX, SIDE, RH, RDSCE
7	033534-000	1	BURNER BOX, SIDE, LH, RDSCE
8	033538-000	1	SUPPORT, REAR, RDSCE
9	PD040005	1	SNAP BUSHING - 7/8
11	034673-000	1	INSULATION, ELEC
12	PB070320	8	SILICONE EXTRUSION



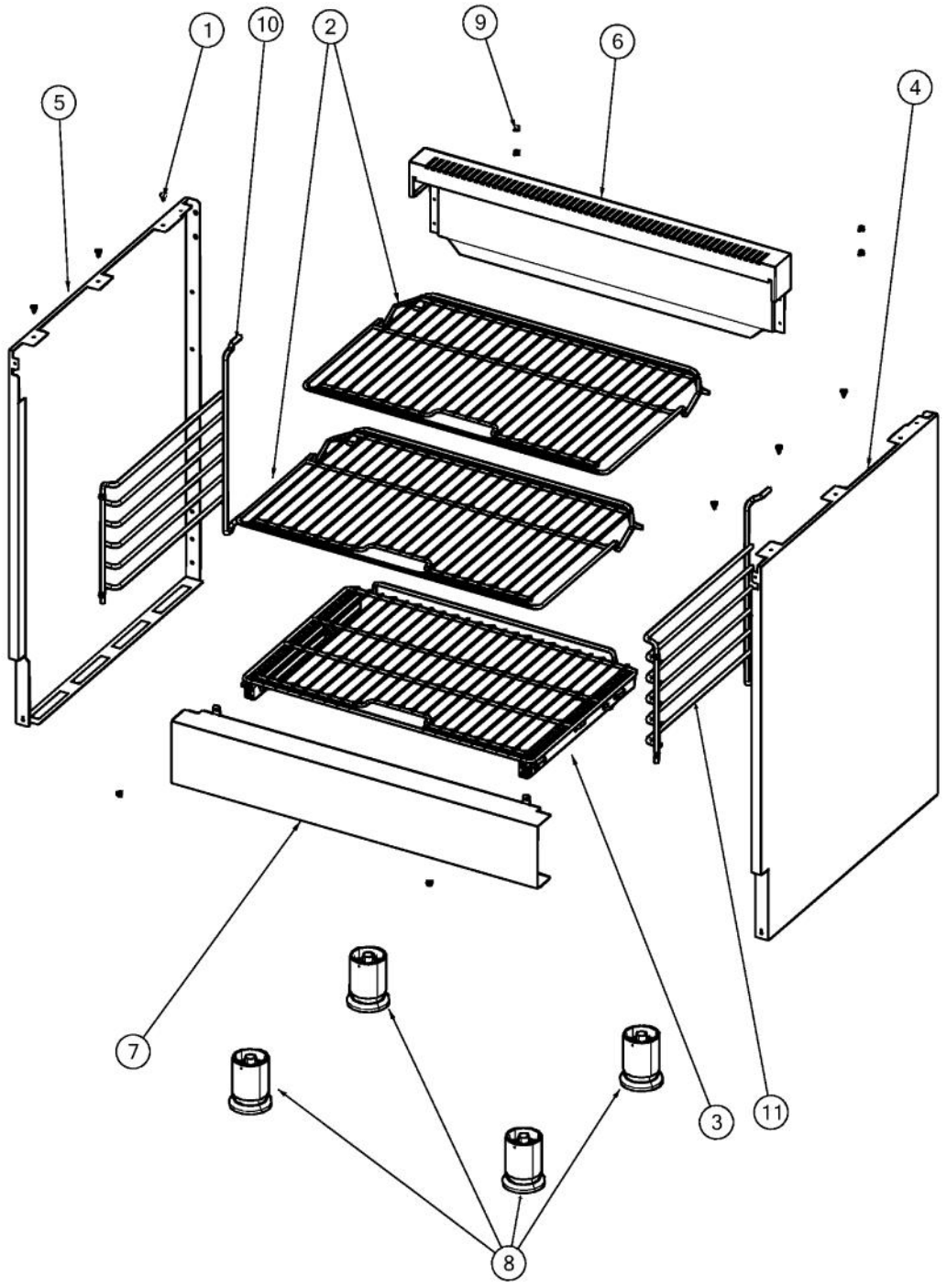
Ref #	Part Number	Qty.	Description
1	020474-000	1	BRACKET, SW
2	027968-000	3	INDICATOR, LIGHT, BLUE
3	031462-000	1	BRACKET, LIGHT SWITCH
4	039089-2388	1	PANEL, CTRL, RDSCE230 ASM
5	042266-000	1	KNOB, TSTAT, RANGE, D3PO, ASSY
6	042267-000	1	KNOB, SEL, ELEC, RANGE, D3PO, ASSY
7	042268-000	2	KNOB, SNGL INFINITE, RANGE, D3PO, ASSY
8	042269-000	2	KNOB, DBL INFINITE, RANGE, D3PO, ASSY
9	042270-000	1	KNOB, TRPL INFINITE, RANGE, D3PO, ASSY
10	PA010093	1	DESIGNER OVEN LT SWITCH KNOB
11	PB010304	7	KNOB BEZEL
12	PD020048	18	NO.10 X 1/2 TEK 410 SS SCREW
13	PD040004	2	GROMMET BUMPER
14	PD020061	14	NO.8 X 3/4 FLAT HD TEK. SS.



Ref #	Part Number	Qty.	Description
1	003860-000	17	NO.10-18 X .500 FASTNR,SCR,HXWH,STL,ZPLT
2	013250-000	1	LATCH,DOOR,ASM,240V,GRIDDLE LOCKOUT
3	038419-000	1	CONTROL,BD,EOC4, CB
4	015394-000	1	FAN, CNVN, ASM
5	020403-000	1	BJB SLIMLINE 40W BULB
6	021340-000	1	LINEAR POWER SUPPLY, SINGLE
7	023022-000	1	MODEL 17 HEADER
8	023825-000	1	TRAY, CNTRL, EOC4 SMPS
9	031373-000	1	TRIPLE 3200W (1100/1000/1100) ELEMENT
10	031376-000	1	DOUBLE 2000W (1000/1000) ELEMENT
11	031377-000	1	EGO SINGLE 1200W
12	031728-000	1	SINGLE INFINITE SWITCH
13	031733-000	1	DUAL INFINITE SWITCH
14	031734-000	1	TRIPLE INFINITE SWITCH
15	036576-000	1	SWITCH ASSY
16	G40015469	1	LIGHT SWITCH ASSEMBLY
17	PD020043	13	NO.6-32 X .750 PH. CTRSK T(F)-VGSO166
18	PD030172	2	M8 X 1.25MM NUT
19	PD040164	2	5/16 INTERNAL TOOTH LOCK WASHER TYPE A
20	PE050206	1	RTD THERMOSTAT PROBE
21	PJ010040	1	LOWER WATT VDSC305 BAKE ELEMENT
22	PE050077	5	INDICATOR LIGHT
23	PJ010048	1	BAKE ELEMENT
24	PJ030033	1	SELECTOR (10 POS)
25	018607-000	1	FAN,BLO, 220-240V 50/60HZ ASSY
26	PJ010047	1	CONVECTION ELEMENT
27	PE050247	2	EBM FAN MOTOR CAPACITOR
28	PE050208	1	DOOR SWITCH
29	PJ030035	1	THERMOSTAT
30	031377-000	1	EGO SINGLE 1200W
31	031376-000	1	DOUBLE 2000W (1000/1000) ELEMENT
32	031733-000	1	DUAL INFINITE SWITCH
33	031728-000	1	SINGLE INFINITE SWITCH
34	043135-000	3	HOUSING, LIGHT, LED, BLUE 3.3V
35	PE070147	1	TERMINAL BLOCK
36	020019-000	1	HARNESS, WRG, CONTROL
36	023096-000	1	ADAPTER, HARN, ASM, LIGHT, SWITCH
36	024869-000	1	RIBBON CABLE, RH
36	038693-000	1	HARN, MAIN, OVEN, VDSC
36	027543-000	1	JMPR, LED, 240V ADPT
36	PE070739	1	BAKE ELEMENT HARNESS
36	G4000936	1	GROUND WIRE
36	035057-000	1	WIRE HARNESS, LIGHT / SWITCH
36	035085-000	1	WIRE HARNESS, MAIN, RDSCE
36	035116-000	2	WIRE HARNESS, SWITCH
36	035117-000	1	WIRE HARNESS, SWITCH, CTR



Ref #	Part Number	Qty.	Description
1	002740-000	2	MANSFIELD HINGE, BLUE SPRING
2	014221-000	4	1/4-20 X .625 HEX 316 SS
3	026965-000	2	END CAP, ASM, DOOR HANDLE
4	032849-000	1	DOOR ASM, D3 RANGE
5	035590-000	1	HANDLE, TUBE
6	042068-000	1	DOOR, OUTER, D3PO, 30, SS, VIKING, ASSY - SS
6	042083-002	1	DOOR, OUTER, 30, VIKING, ASSY-BK
6	042083-006	1	DOOR, OUTER, 30, VIKING, ASSY-WH
7	042526-000	1	DOOR, RNG, ELEC, VIKING, SS ASSY
7	042527-002	1	DOOR, RNG, ELEC, VIKING, BK ASSY
7	042527-006	1	DOOR, RNG, ELEC, VIKING, WH ASSY
8	PD020063	8	SCREW-NO.8(A) X 3/8PH WFR HD/BK OXID
9	000042-000	1	30 DOOR GASKET



Ref #	Part Number	Qty.	Description
1	004526-000	6	FASTENER,SCR,TPGS,TRH,PHLP,NO.10-1/2
2	027924-000	2	RACK,OVEN,DUEL FUEL,30
3	029891-000	1	D3 GLIDE RACK,30
4	032813-000	1	PANEL,SIDE,RH,D3,SS
4	035006-002	1	PNL,SIDE,RH,D3-BK
4	035006-006	1	PNL,SIDE,RH,D3-WH
5	032816-000	1	PANEL,SIDE,LH,D3,SS
5	035005-002	1	PNL,SIDE,LH,D3-BK
5	035005-006	1	PNL,SIDE,LH,D3-WH
6	032965-000	1	D3 ISLAND TRIM ASM
7	042511-000	1	KICK PLATE VIKING 30 - SS
7	042777-002	1	KICK PLATE VIKING 30 - BK
7	042777-006	1	KICK PLATE VIKING 30 - WH
8	PC030031	4	ADJUSTABLE LEG
9	PD020032	6	SRW-8(A)X3/8PH.WFR HD 7/16DIAXNICL
10	036220-402	1	RACK,PRO,ASM,LH, BLACK
11	036216-402	1	RACK,PRO,ASM,RH, BLACK