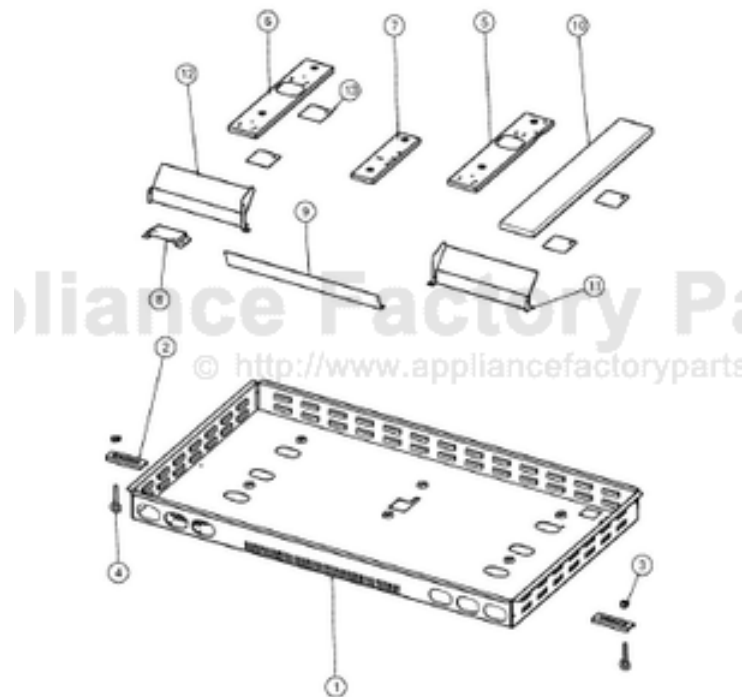


This Owner's Manual is provided and hosted by [Appliance Factory Parts](http://www.appliancefactoryparts.com).



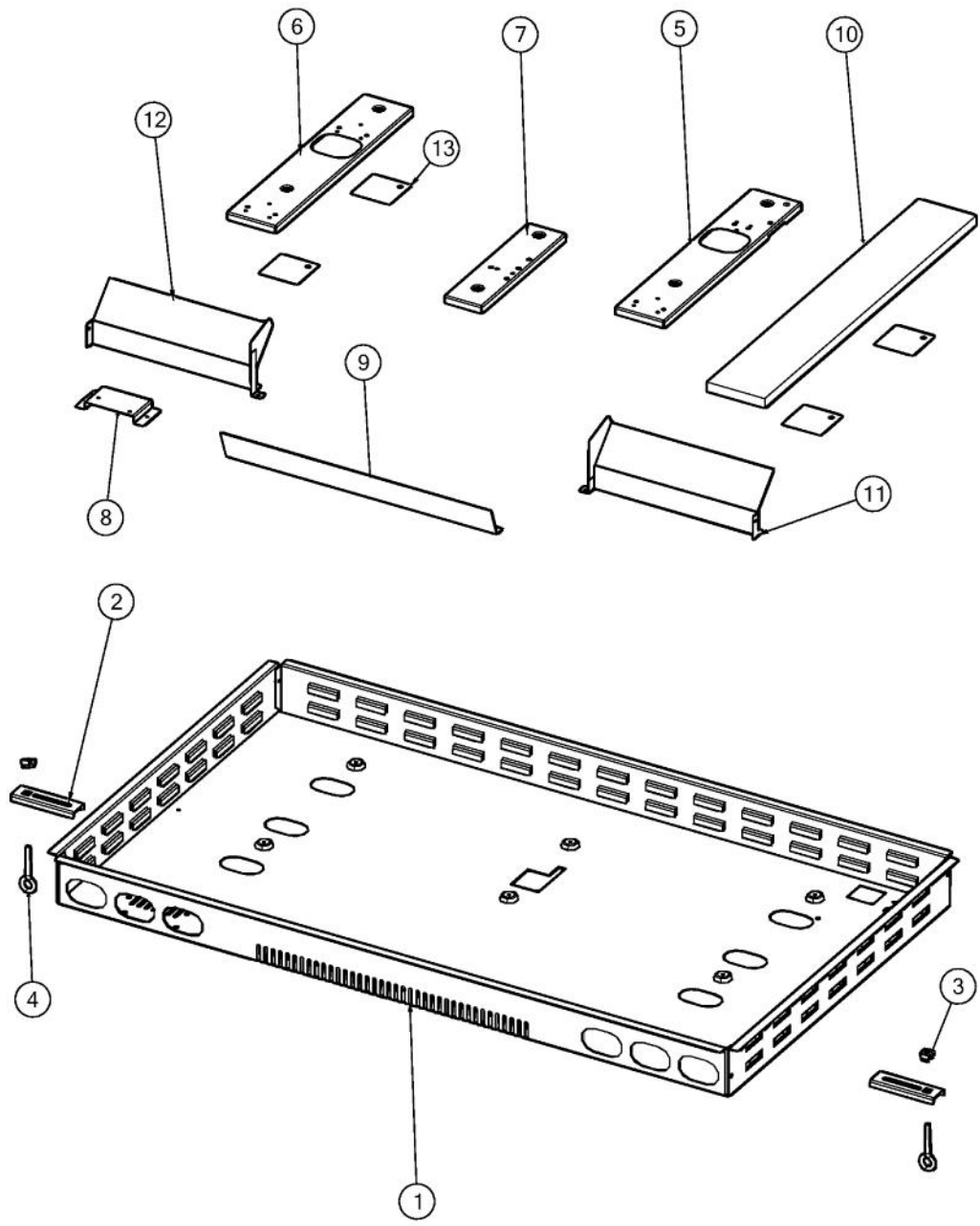
# VIKING RVGC3365B Owner's Manual

[Shop genuine replacement parts for VIKING  
RVGC3365B](#)

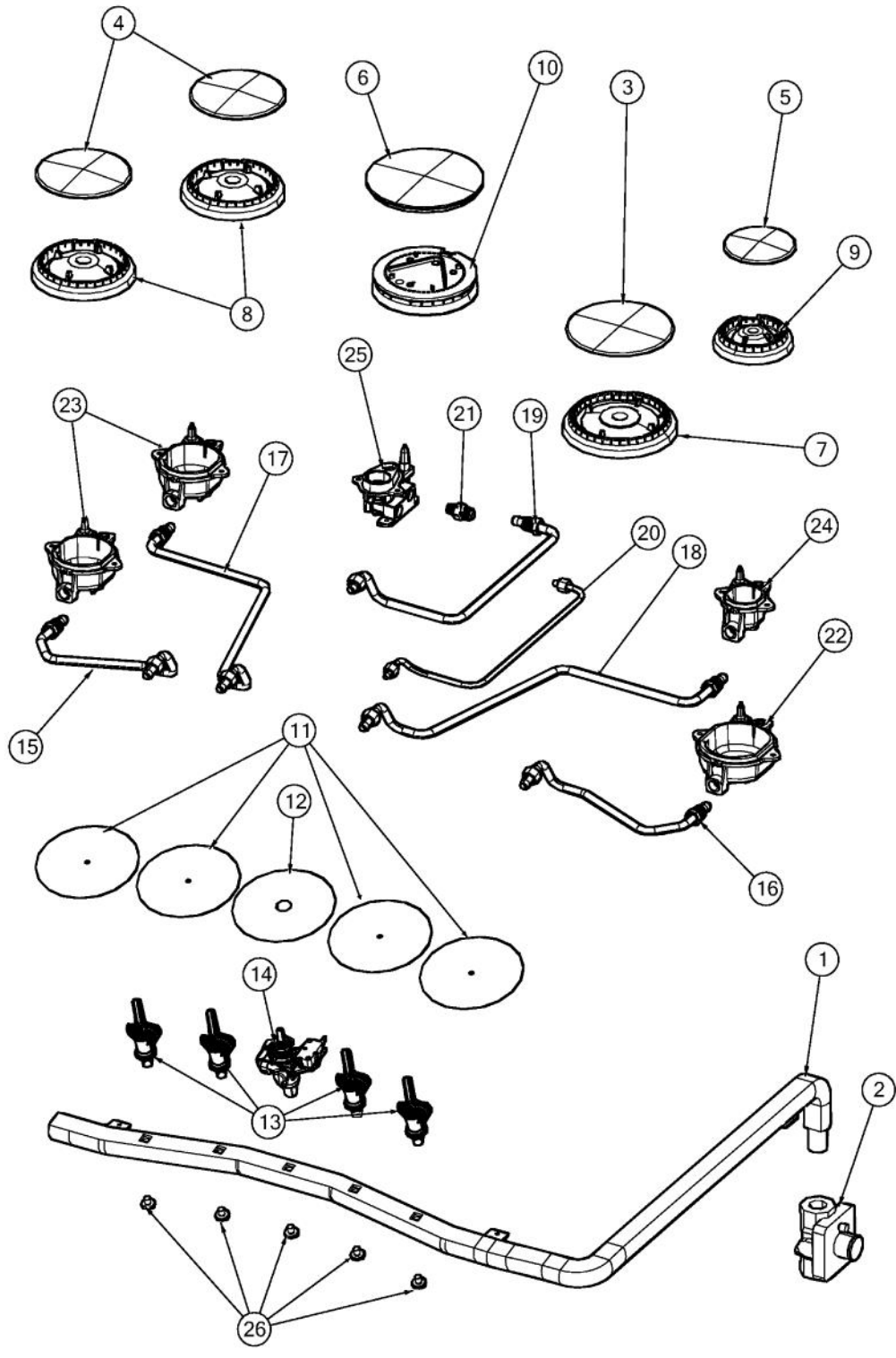


[Find Your VIKING Range Hoods Parts - Select From 411 Models](#)

----- Manual continues below -----



Ref #	Part Number	Qty.	Description
1	036131-000	1	D3 36 COOKTOP BURNER BOX
2	A2003053	2	RET.BRKT VGSU101 REPL PG210006
3	PD010027	2	EYE BOLT-VGSU101/161
4	PD030029	2	SELF RETAINING NUT (1/4-20)
5	031579-000	1	RH BURNER SUPPORT DGSU, D3
6	031580-000	1	LH BURNER SUPPORT DGSU, D3
7	031583-000	1	CENTER BURNER SUPPORT DGSU, D3
8	031933-000	1	SNGL SPARK MODULE MOUNT
9	031948-000	1	D3 VENT SHEILD
10	035645-000	1	INSULATION, SW
11	036133-000	1	FLUE, CKTP, RH ASSY,36
12	036135-000	1	FLUE, CKTP, LH ASSY, 36
13	036559-000	4	INSULATION, ELEC



Ref #	Part Number	Qty.	Description
1	031576-000	1	D3 GAS COOKTOP MANIFOLD
2	023883-000	1	REGULATOR, PRSS, NAT, 5, DESIGNER
2	023884-000	1	REGULATOR, PRSS, L.P., 10 DESIGNER
3	031412-000	1	BURNER CAP, 18000 BTU
4	031413-000	2	BURNER CAP, 12000 BTU
5	031414-000	1	BURNER CAP, 8000 BTU
6	031415-000	1	BURNER CAP, STACKED
7	031416-000	1	BURNER HEAD, 18000 BTU
8	031417-000	2	BURNER HEAD, 12000 BTU
9	031418-000	1	BURNER HEAD, 8000 BTU
10	031419-000	1	BURNER HEAD, STACKED
11	019955-000	4	SHIELD, WTR
12	036558-000	1	SHIELD, WTR, LRG CNTR HOLE
13	032331-000	4	SINGLE GAS VALVE
14	032349-000	1	DUAL GAS VALVE
15	031628-000	1	36 COOKTOP LF BURNER TUBE
16	031629-000	1	36 COOKTOP RF BURNER TUBE
17	031630-000	1	36 COOKTOP LR BURNER TUBE
18	031631-000	1	36 COOKTOP RR BURNER TUBE
19	032521-000	1	CENTER HIGH BURNER TUBE
20	032541-000	1	CENTER LOW BURNER TUBE
21	033202-000	1	STACK BURNER LOW ORIFICE ADAPTER
22	036407-000	1	BNR BASE, ULTRARAPID, CKTP, 12000 BTU, NAT
23	036408-000	2	BNR BASE, RAPID, CKTP, 9100 BTU, NAT
24	036409-000	1	BNR BASE, SEMIRAPID, CKTP, 5000 BTU, NAT
25	036410-000	1	17K STACK JETHOLDER W/0.53MM - 1.88MM INJECTORS
26	PD010012	5	VALVE BOLT 1/4-20 UNC-2B 5/16 M.S.

Wiring

4



1

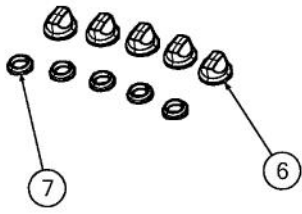
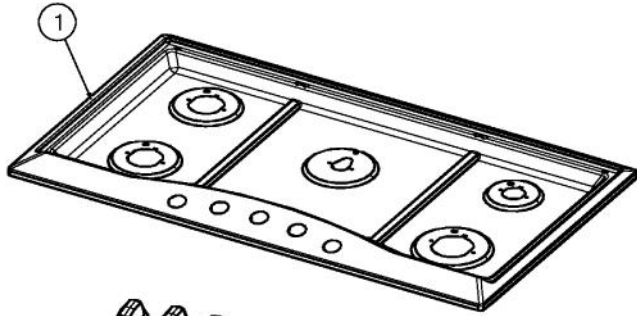
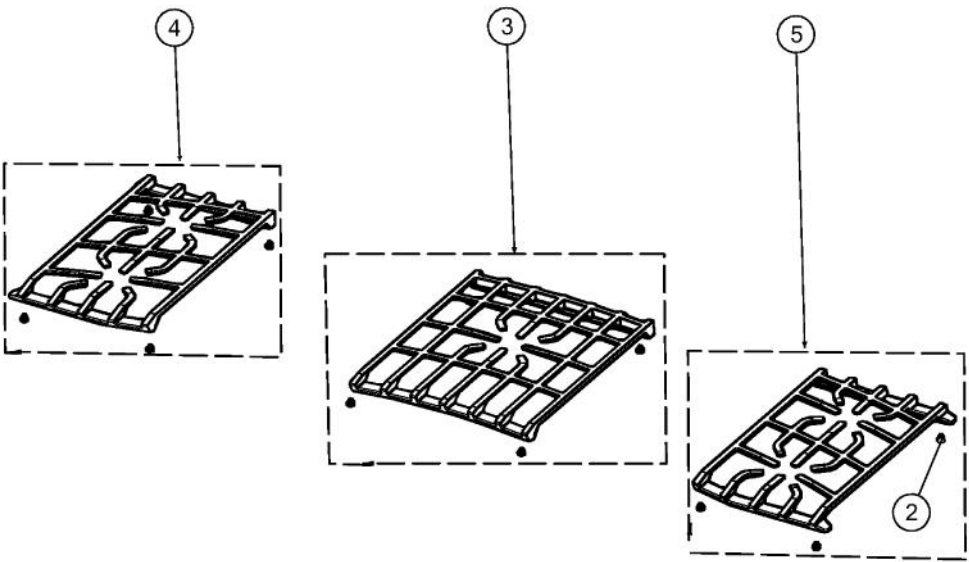


2



3

Ref #	Part Number	Qty.	Description
1	PA020037	1	SINGLE MODULE 120V
2	015112-000	4	MODULE, SPK IRIS COOKTOP
3	G4007440	1	SUPPLY CORD ASSY
4	006766-000	2	IRIS IGNITOR WIRE, BACK BURNER
4	000647-000	2	IRIS IGNITOR WIRE, FRONT BURNER
4	PE070890	1	IRIS HARNESS - 36
4	034731-000	1	HARNESS, WIRE, STACK BURNER



Ref #	Part Number	Qty.	Description
1	031290-000	1	D3 36 COOKTOP
2	031430-000	12	GRATE, FOOT
3	031546-000	1	CENTER 36 DGSU COOKTOP GRATE
4	031875-000	1	36 LH GRATE ASM
5	031878-000	1	36 RH GRATE ASM
6	042162-000	5	KNOB, SNGL GAS, COOKTOP, BLADE, D3PO, ASSY
7	PB070320	5	SILICONE EXTRUSION