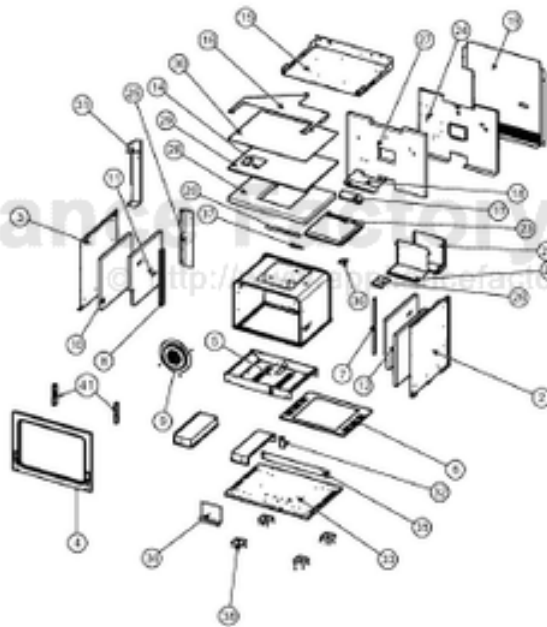


This Owner's Manual is provided and hosted by [Appliance Factory Parts](http://www.appliancefactoryparts.com).



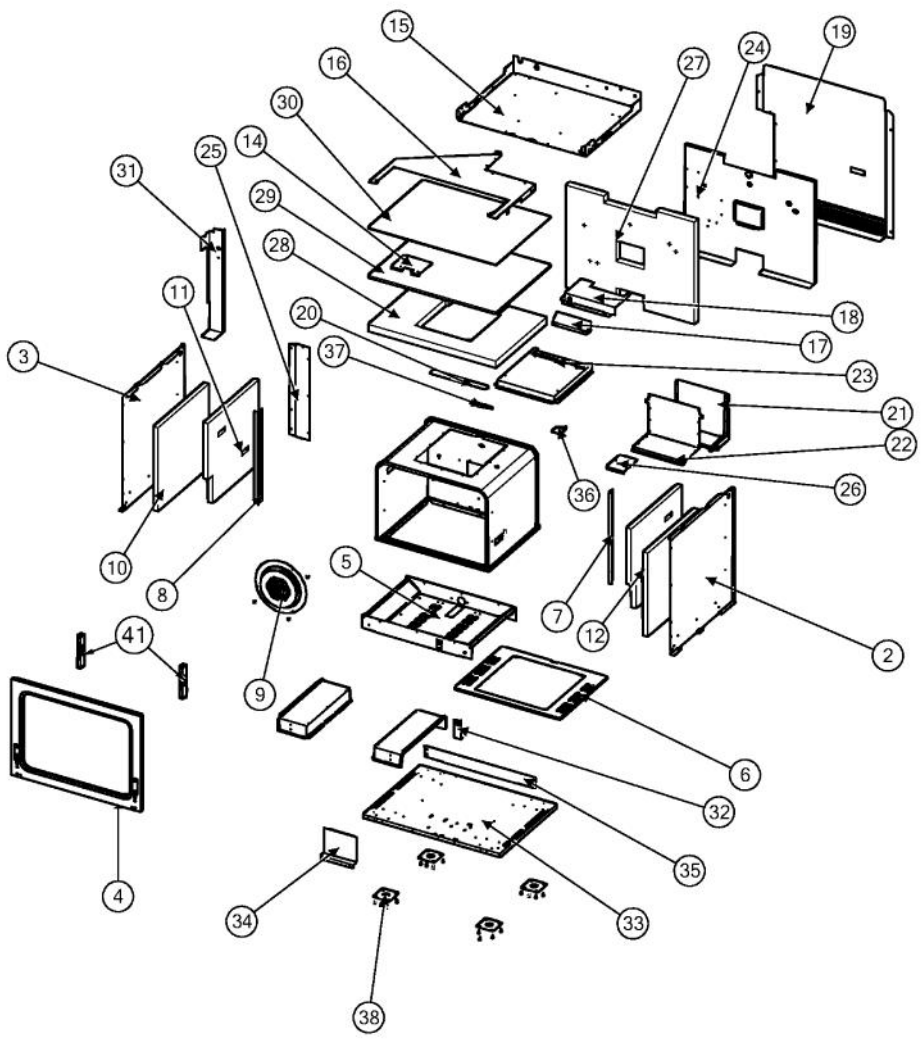
VIKING RVGR3305G Owner's Manual

[Shop genuine replacement parts for VIKING
RVGR3305G](#)

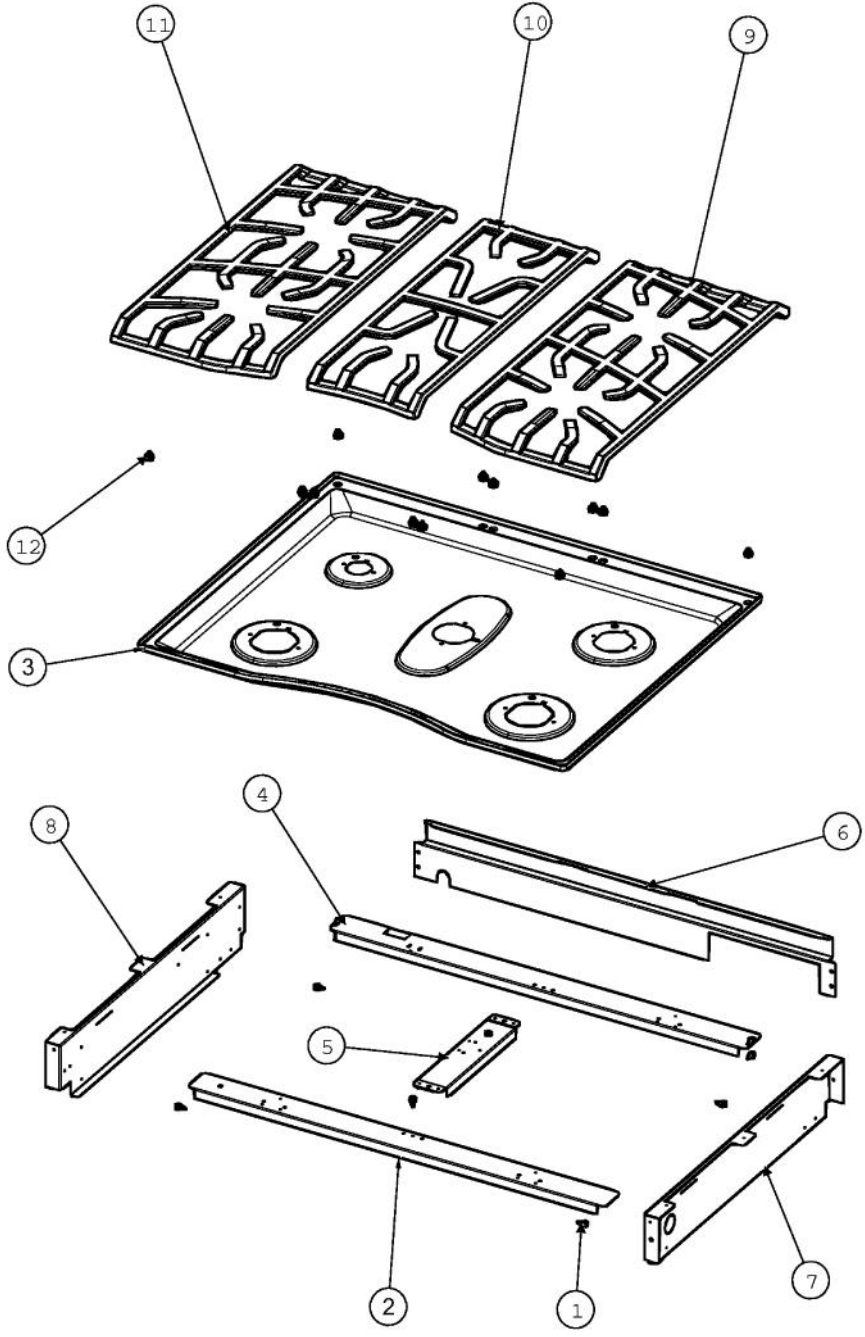


[Find Your VIKING Range Hoods Parts - Select From 411 Models](#)

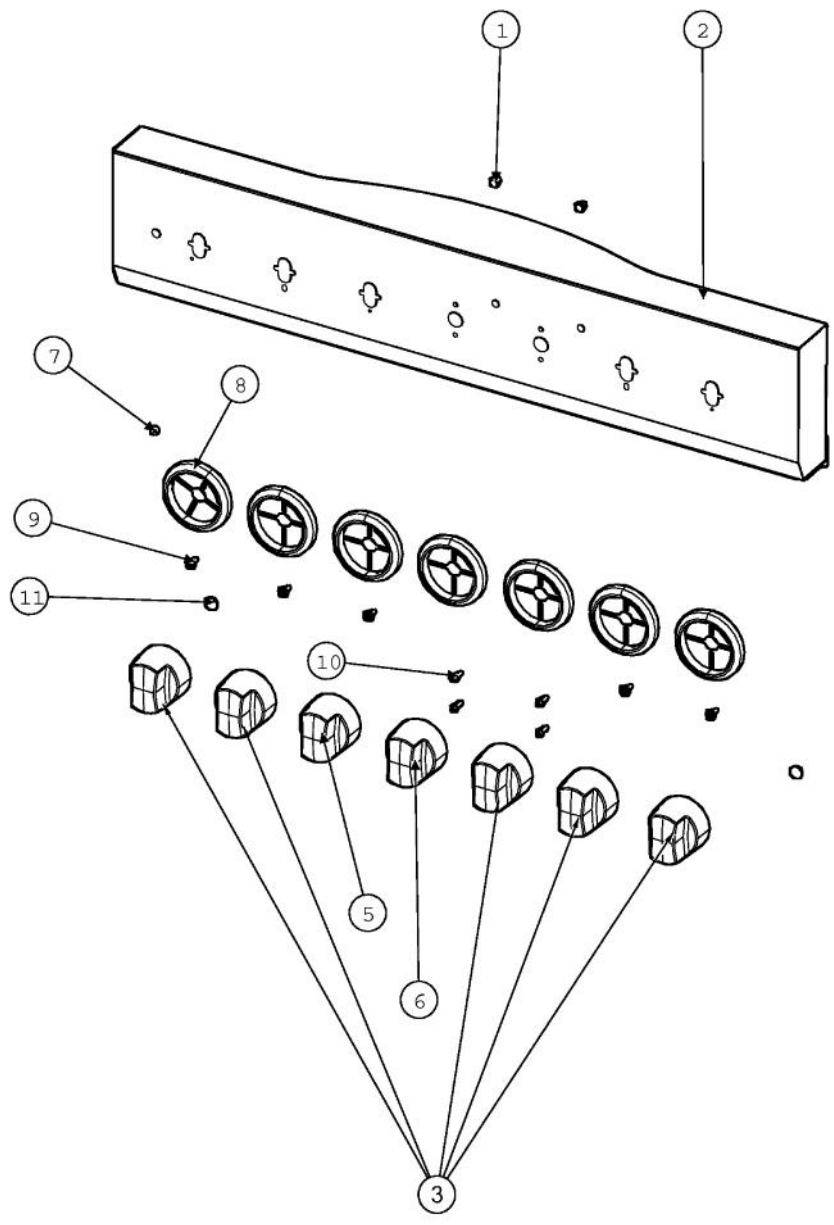
----- Manual continues below -----



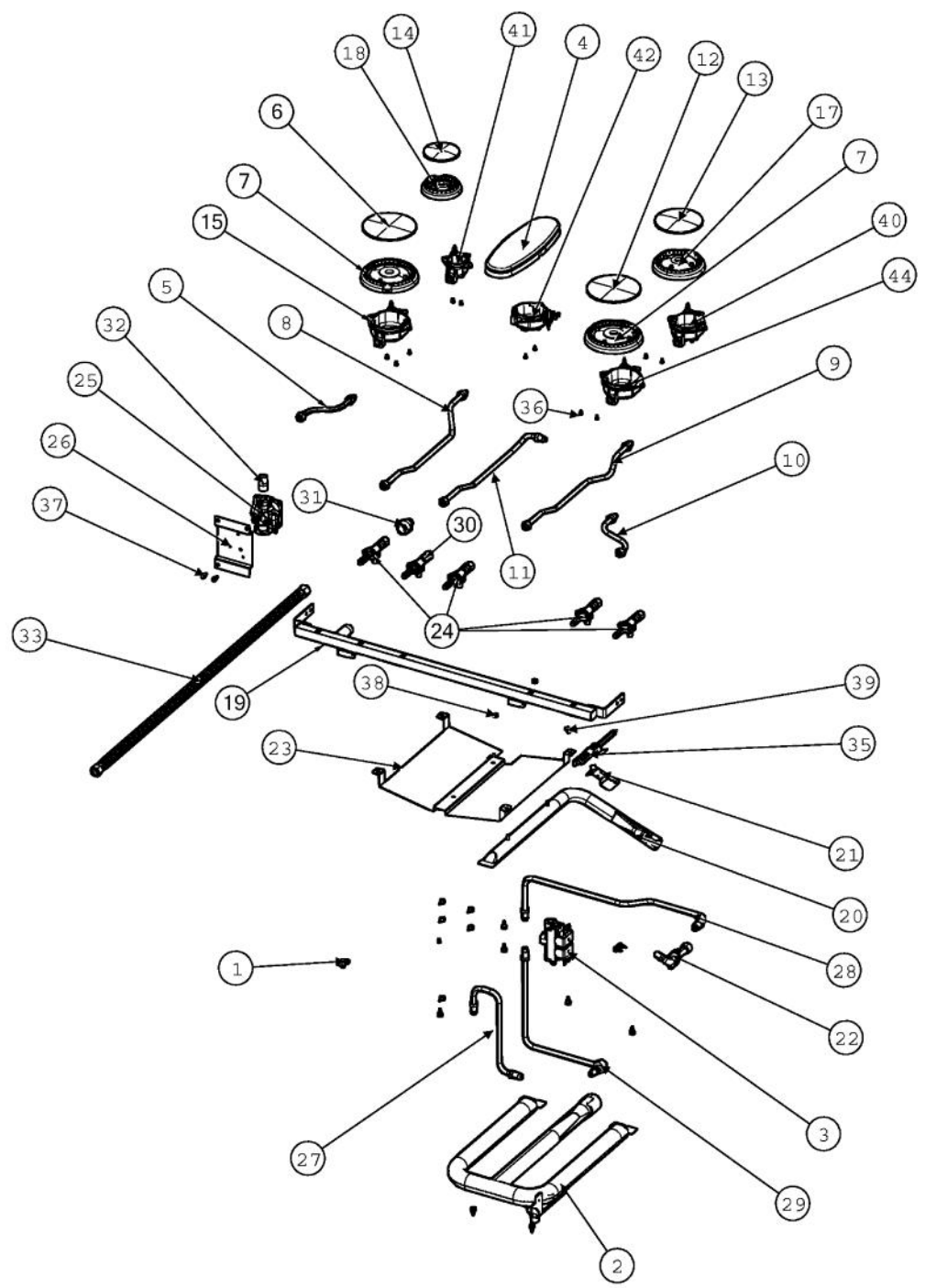
Ref #	Part Number	Qty.	Description
1	003860-000	101	NO.10-18 X .500 FASTNR,SCR,HXWH,STL,ZPLT
2	013659-000	1	INSULATION, PNL, SIDE, RH
3	013660-000	1	INSULATION, PNL, SIDE, LH
4	014502-000	1	FRONT, FRAME, DCCG130
5	014748-402	1	BURNER PAN ASM, BK PORC
6	014922-402	1	OVEN BOTTOM PAN ASM, BK PORC
7	019175-000	1	BRACKET, SIDE, RH
8	019176-000	1	BRACKET, SIDE, LH
9	021225-402	1	COVER, CNVN, ASM, BK PORC
9	021225-403	1	COVER, CNVN, ASM, GY PORC
10	023578-000	2	INSULATION, SIDE, OUTER
11	023579-000	1	INSULATION, SIDE, LEFT
12	023580-000	1	INSULATION, SIDE, RIGHT
13	030191-000	1	GUIDE, RACK
14	030985-000	1	LATCH MOUNT
15	031014-000	1	RETAINER, TOP INSULATION, RDSCG, 30
16	031015-000	1	AIR DUCT, D3
17	031030-000	1	FAN DEFLECTOR
18	031034-000	1	COVER, FAN
19	031320-000	1	BACK, OVEN, D3
20	031445-402	1	BRACE, OVEN, BOTTOM, BACK
21	031673-000	1	BOTTOM, GAS DUCT, D3
22	031674-000	1	TOP, GAS DUCT, D3
23	031678-000	1	BROIL BURNER BOX, D3
24	031777-000	1	PANEL, BACK INSULATION
25	031831-000	1	ACCESS COVER, REGULATOR
26	033198-000	1	TRAY, REGULATOR
27	033583-000	1	INSULATION, BACK, D3, 30
28	033585-000	1	INSULATION, TOP
29	033586-000	1	INSULATION, TOP PAD
30	033588-000	1	INSULATION, TOP FOIL BACK
31	035230-000	1	BACK SUPPORT BRACKET
32	035322-000	1	BRACKET, ORIFICE, BAKE, D3
33	040971-000	1	BOTTOM, MAIN, 30
34	042133-000	1	SHIELD, HEAT, FR
35	042178-000	1	SHIELD, HEAT, REAR
36	A20012649	1	DOOR SWITCH BRACKET
37	A2004428	1	REAR BOTTOM BRCKT (VGSC306)
38	PC030007	4	LEG PLATE - 3/4 THREADED HOLE
39	PD020048	46	NO.10 X 1/2 TEK 410 SS SCREW
40	PD020232	3	NO.8 X 3/4 PH PAN HEAD TEK SCREW (BLACK OXIDE)
41	031679-000	2	RECEPTACLE, HINGE
NI	049133-000	1	BRACE, FRONT, BURNER BOX



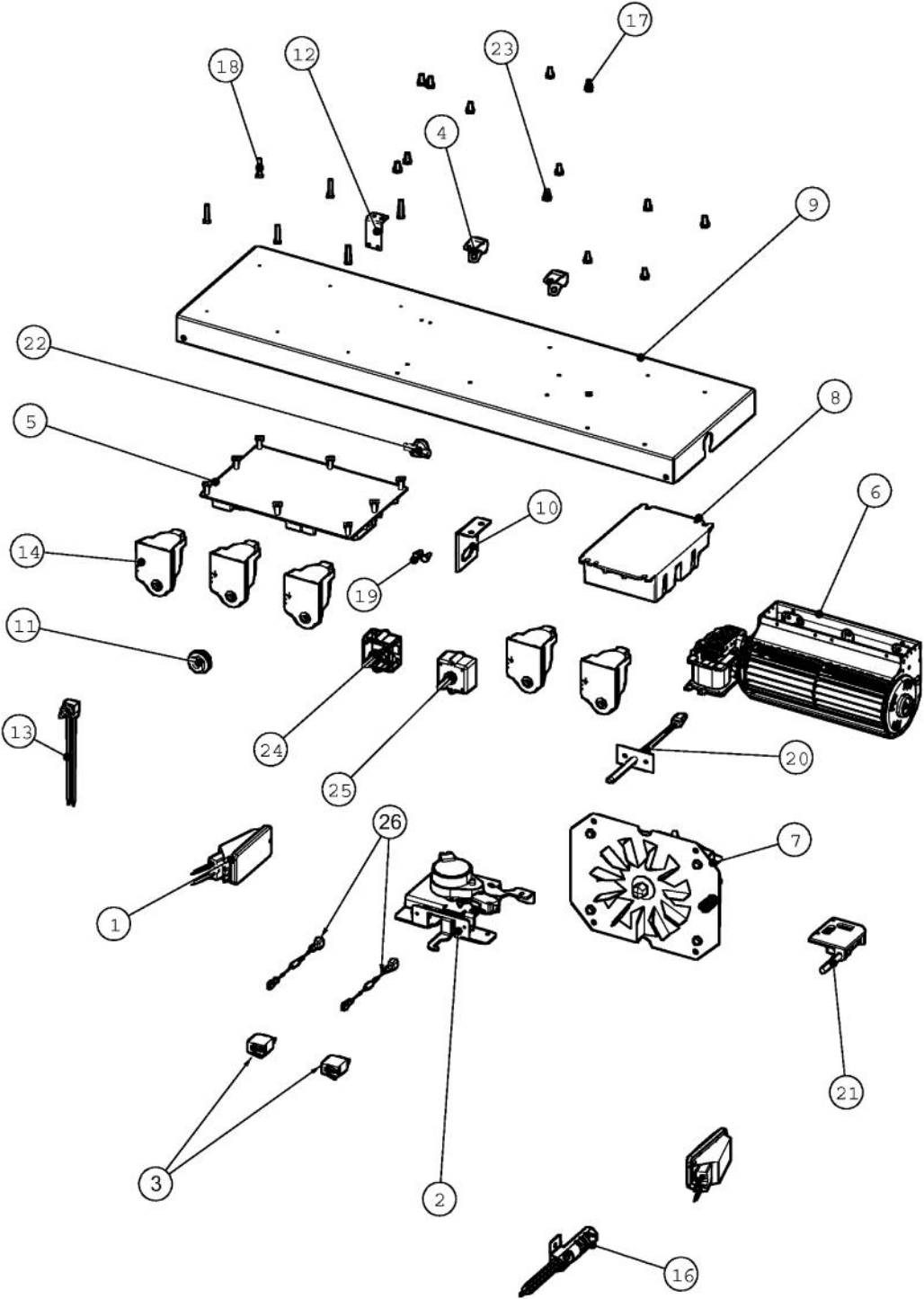
Ref #	Part Number	Qty.	Description
1	003860-000	10	NO.10-18 X .500 FASTNR,SCR,HXWH,STL,ZPLT
2	043698-000	1	CHANNEL, BURNER, FRONT
3	043681-402	1	TOP, RANGE, 30
4	031004-000	1	BURNER CHANNEL, REAR
5	031005-000	1	BURNER CHANNEL, CENTER
6	031023-000	1	SUPPORT, REAR BURNER BOX
7	031073-000	1	PANEL, BURNER BOX SIDE, RH
8	031074-000	1	PANEL, BURNER BOX SIDE, LH
9	031223-000	1	GRATE ASM, RH
10	031225-000	1	GRATE ASM, CENTER
11	031224-000	1	GRATE ASM, LH
12	031430-000	12	GRATE, FOOT



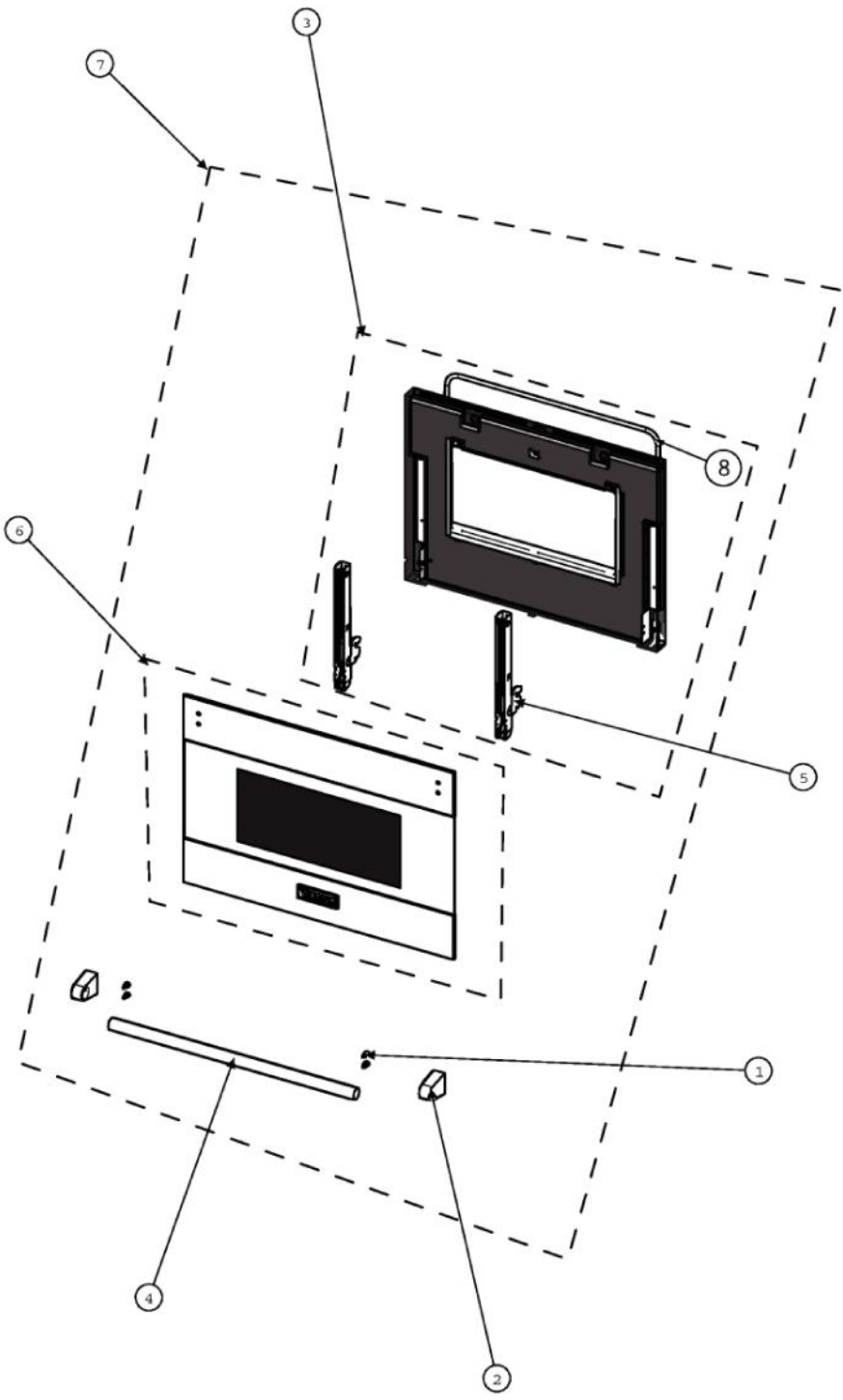
Ref #	Part Number	Qty.	Description
1	027968-000	2	INDICATOR, LIGHT, BLUE
2	039090-2393	1	PANEL, CTRL, RDSCD/RDSCG230 ASM
3	042263-000	5	KNOB, GAS VALVE, RANGE, D3PO, ASSY
5	042265-000	1	KNOB, SEL, GAS, RANGE, D3PO, ASSY
6	042266-000	1	KNOB, TSTAT, RANGE, D3PO, ASSY
7	PA010093	1	DESIGNER OVEN LT SWITCH KNOB
8	PB010304	7	KNOB BEZEL
9	PD020046	5	NO.8 X 1/2 SCREWS
10	PD020261	4	NO.8-32X1/2 PH PANHEAD MACH. SCREW
11	PD040004	2	GROMMET BUMPER



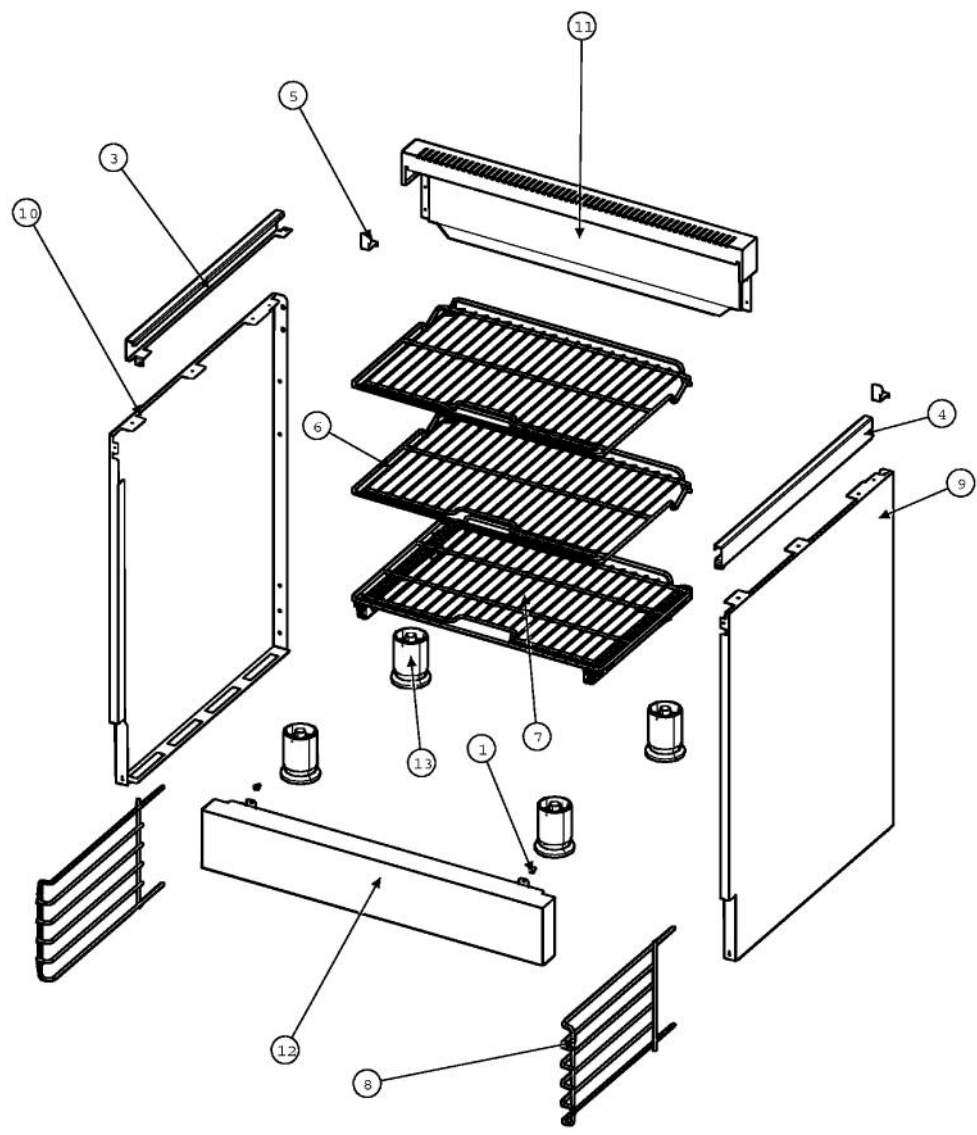
Ref #	Part Number	Qty.	Description
1	003860-000	13	NO.10-18 X .500 FASTNR,SCR,HXWH,STL,ZPLT
2	005329-000	1	BURNER, OVEN, ASM
2	005330-000	1	BURNER, OVEN, ASM (LP)
3	009112-000	1	VALVE, SOL, DOUBLE
4	030984-000	1	FISH BURNER, 92000 BTU
5	031393-000	1	TUBING, RF BURNER
6	031412-000	1	BURNER CAP, 18000 BTU
7	031416-000	2	BURNER HEAD, 18000 BTU
8	031388-000	1	TUBING, LR BURNER
9	031392-000	1	TUBING, RR BURNER
10	031393-000	1	TUBING, RF BURNER
11	031400-000	1	TUBING, FISH BURNER
12	031412-000	1	BURNER CAP, 18000 BTU
13	031413-000	1	BURNER CAP, 12000 BTU
14	031414-000	1	BURNER CAP, 8000 BTU
15	043672-000	1	BNR BASE, ULTRARAPID
17	031417-000	1	BURNER HEAD, 12000 BTU
18	031418-000	1	BURNER HEAD, 8000 BTU
19	043670-000	1	MANIFOLD, GAS, 30
20	031632-000	1	D3 BROIL BURNER ASM
21	031701-000	1	ELECTRODE BRACKET
22	031729-000	1	ORIFICE FITTING, BROIL
23	031766-000	1	BAFFLE, BROIL BURNER
24	031804-000	4	VALVE, TOP BURNER
25	031818-000	1	REGULATOR, DUAL OUTLET
25	041183-000	1	DUAL OUTLET REGULATOR LP
26	031821-000	1	REG. MTG. BRKT.
27	031853-000	1	TUBING, OVEN REGULATOR
28	031855-000	1	TUBING, BROIL, D3
29	031857-000	1	TUBING, BAKE, D3
30	031804-000	1	VALVE, TOP BURNER
31	034765-000	1	FITTING, COMPRESSION, CC, 3/8
32	035216-000	1	ADAPTOR,3/8 NPT TO 1/2 COMP.
33	039215-000	1	32 FLEX GAS SELF CLEAN
35	PB040170	1	BAKE IGNITION ELECTRODE
36	PD020006	12	NO.6-32 X 1/4 PH.PAN HD. T(F)
37	PD020261	2	NO.8-32X1/2 PH PANHEAD MACH. SCREW
38	PD030044	2	10-24 KEPS NUT SS
39	PD020004	1	10X3/8PH.HD.TYPE 25 REPL PD040125
40	030973-000	1	BURNER BASE, 12000 BTU
41	030974-000	1	BURNER BASE, 8000 BTU
42	030977-000	1	BURNER BASE, FISH, 9200 BTU
44	031022-000	1	BURNER BASE, 18000 BTU
NI	043850-000	1	RANGES. LP TOP BURNER ORIFICES



Ref #	Part Number	Qty.	Description
1	005311-000	2	120V/25W HALOGEN LIGHT
2	012565-000	1	MOTORIZED DOOR LATCH
3	043135-000	2	HOUSING, LIGHT, LED, BLUE 3.3V
4	015208-000	2	CLIP, WIRE
5	015981-000	1	CONTROL, PANEL, NO.3, ELAN BOARD
6	019958-000	1	FAN, COOLING, SINGLE, 120V X 180MM
7	023090-000	1	MOTOR, CONV ASM?
8	023651-000	1	DSI120 LONG PURGE
9	033529-000	1	PLATE, MTG. COMP.
10	033668-000	1	BRACKET, DISCONNECT
11	036576-000	1	SWITCH ASSY
12	A20014089	1	DISC BRACKET
13	G40015469	1	LIGHT SWITCH ASSEMBLY
14	PA020058	4	IRIS SINGLE SPARK MODULE
16	PB040170	1	BAKE IGNITION ELECTRODE
17	PD020010	1	10 X 3/8 GREEN GROUNDING SCREW
18	PD020043	6	NO.6-32 X .750 PH. CTRSK T(F)-VGSO166
19	PD020067	2	NO.6 X 3/8 PAN PHIL. TEK SS
20	PE050206	1	RTD THERMOSTAT PROBE
21	PE050208	1	DOOR SWITCH
22	PJ030039	1	BI-METAL THERMOSTAT 275 DEGREES
23	PD020004	12	10X3/8PH.HD.TYPE 25 REPL PD040125
24	PJ030034	1	SELECTOR (6 POS)
25	PJ030035	1	THERMOSTAT
26	021319-000	2	HARNESS, ADPT, LED, 125V TO 2V
NI	000647-000	2	IRIS IGNITOR WIRE, FRONT BURNER
NI	043678-000	1	HARNESS, MAIN, RVGR GAS
NI	004133-000	1	CONTROL PANEL HARNESS



Ref #	Part Number	Qty.	Description
1	014221-000	4	1/4-20 X .625 HEX 316 SS
2	026965-000	2	END CAP, ASM, DOOR HANDLE
3	030906-000	1	DOOR, ASM, RANGE
4	035590-000	1	HANDLE, TUBE
5	036279-000	2	HINGE, DOOR, GAS, BLACK SPRING
6	042068-000	1	DOOR, OUTER, D3PO, 30, SS, VIKING, ASSY - SS
6	042083-002	1	DOOR, OUTER, 30, VIKING, ASSY-BK
6	042083-006	1	DOOR, OUTER, 30, VIKING, ASSY-WH
7	042521-000	1	DOOR, RNG, GAS, VIKING, SS ASSY
7	042522-002	1	DOOR, RNG, GAS, VIKING, ASSY-BK
7	042522-006	1	DOOR, RNG, GAS, VIKING, ASSY-WH
8	000042-000	1	30 DOOR GASKET



Ref #	Part Number	Qty.	Description
1	003801-000	2	SHOULDER SCREW, NO.10
2	003860-000	14	NO.10-18 X .500 FASTNR,SCR,HXWH,STL,ZPLT
3	013986-000	1	TRIM, SIDE, RT D130
4	014543-000	1	TRIM, SIDE, LF, DESIGNER
5	015106-000	2	SIDE TRIM SUPPORT
6	027922-000	2	RACK, OVEN, GAS, 30
7	029893-000	1	D3 GLIDE RACK, GAS 30
8	030191-000	2	GUIDE, RACK
9	032813-000	1	PANEL, SIDE, RH, D3, SS
9	035006-002	1	PNL, SIDE, RH, D3 - BK
9	035006-006	1	PNL, SIDE, RH, D3 - WH
10	032816-000	1	PANEL, SIDE, LH, D3, SS
10	035005-002	1	PNL, SIDE, LH, D3 - BK
10	035005-006	1	PNL, SIDE, LH, D3 - WH
11	032965-000	1	D3 ISLAND TRIM ASM
12	042571-000	1	KICKPLATE, RVGR 30-SS
12	042717-002	1	KICKPLATE, RVGR 30-BK
12	042717-006	1	KICKPLATE, RVGR 30-WH
13	PC030031	4	ADJUSTABLE LEG
14	PD020032	2	SRW-8(A)X3/8PH.WFR HD 7/16DIAXNICL
15	PD020232	4	NO.8 X 3/4 PH PAN HEAD TEK SCREW (BLACK OXIDE)