

This Owner's Manual is provided and hosted by [Appliance Factory Parts](#).



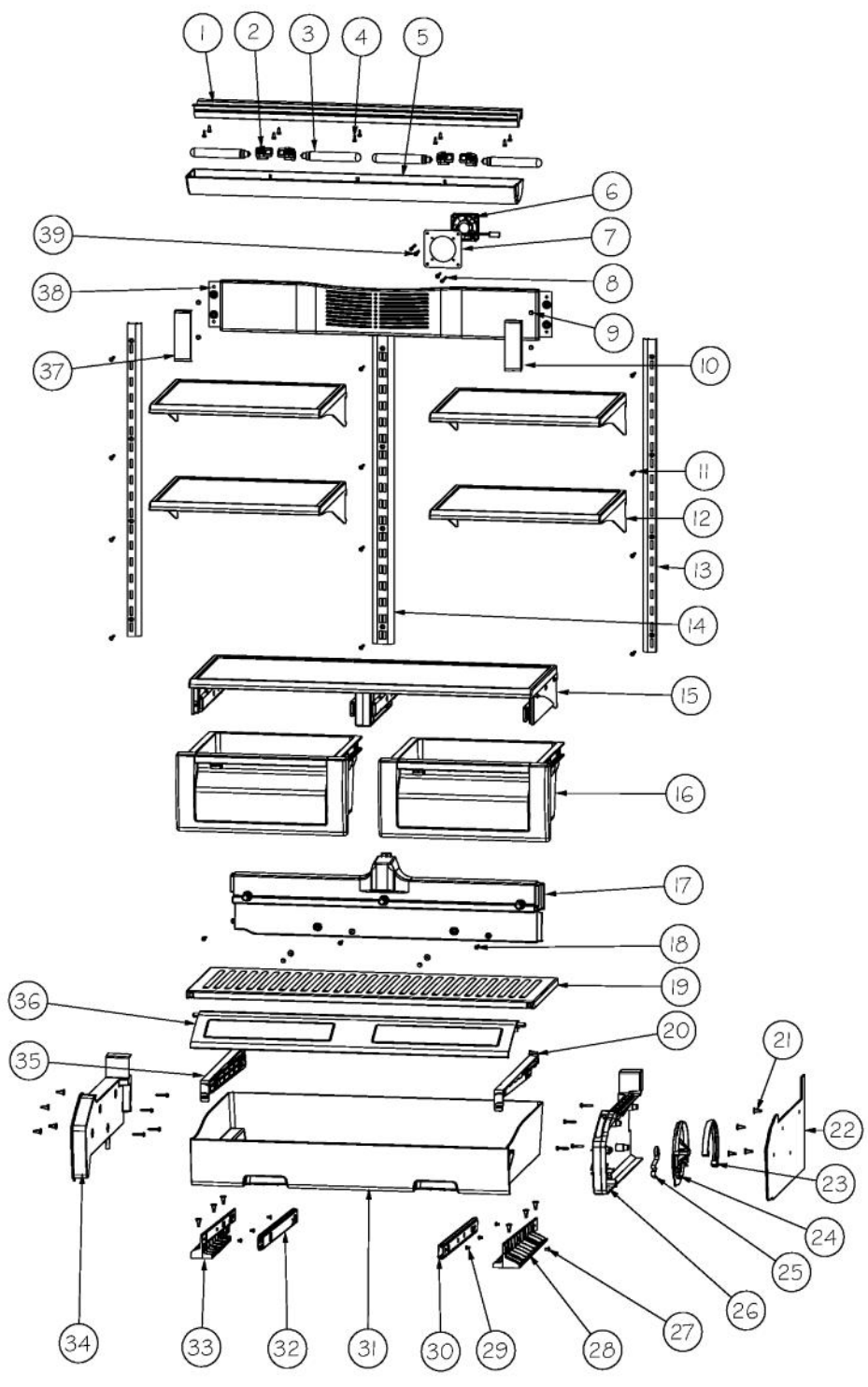
VIKING DFBB536 Owner's Manual

[Shop genuine replacement parts for VIKING DFBB536](#)

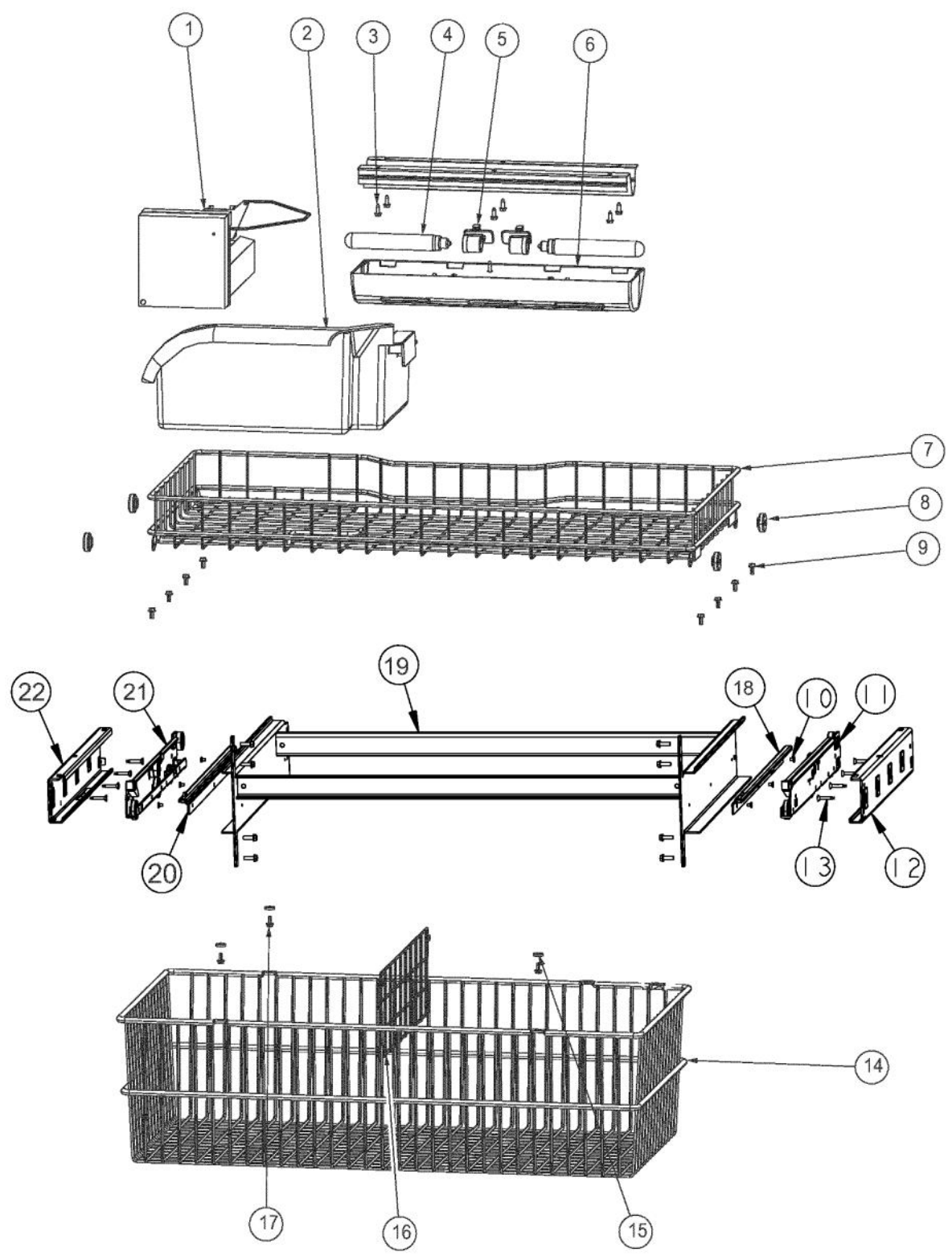


[Find Your VIKING Refrigerator Parts - Select From 341 Models](#)

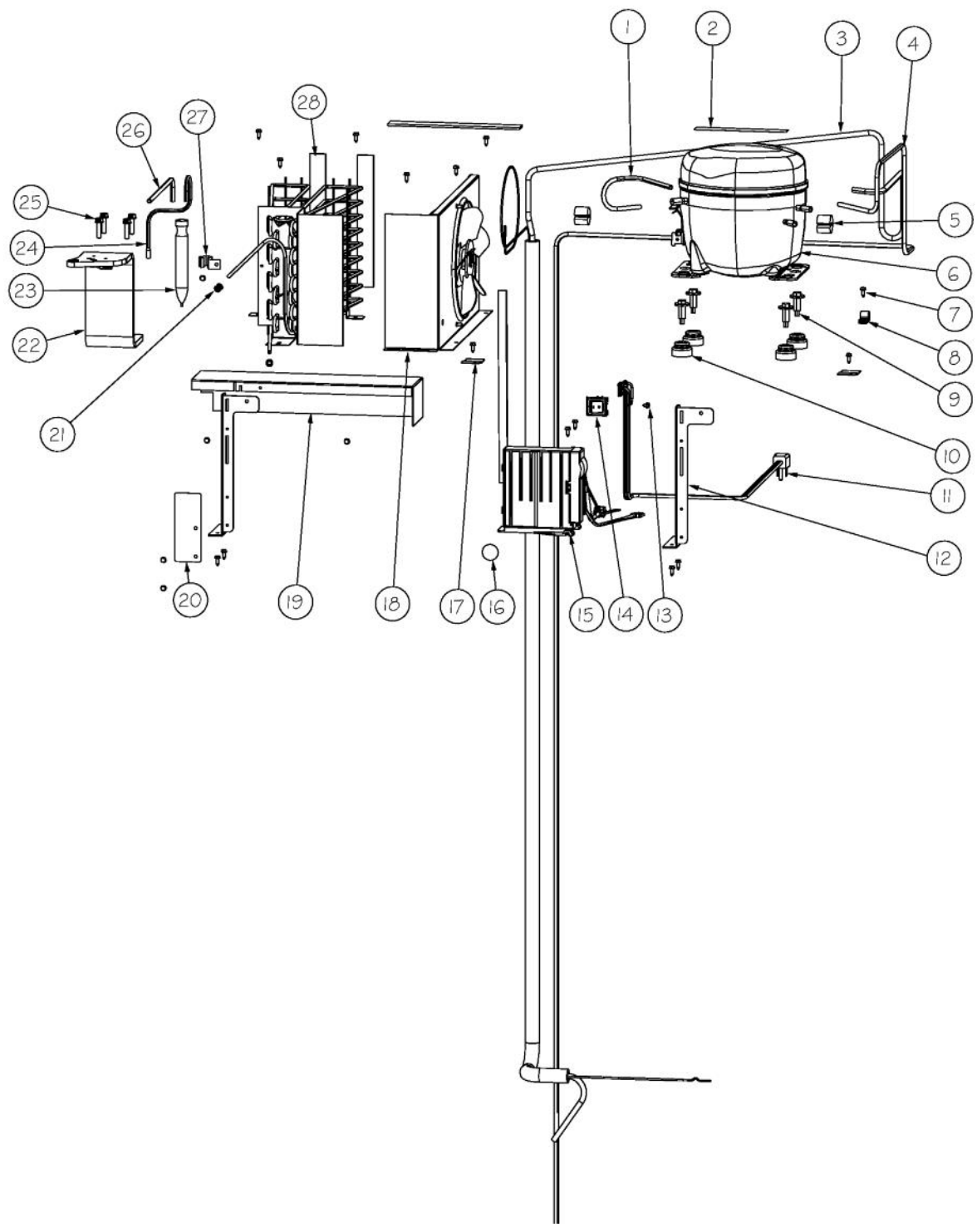
----- Manual continues below -----



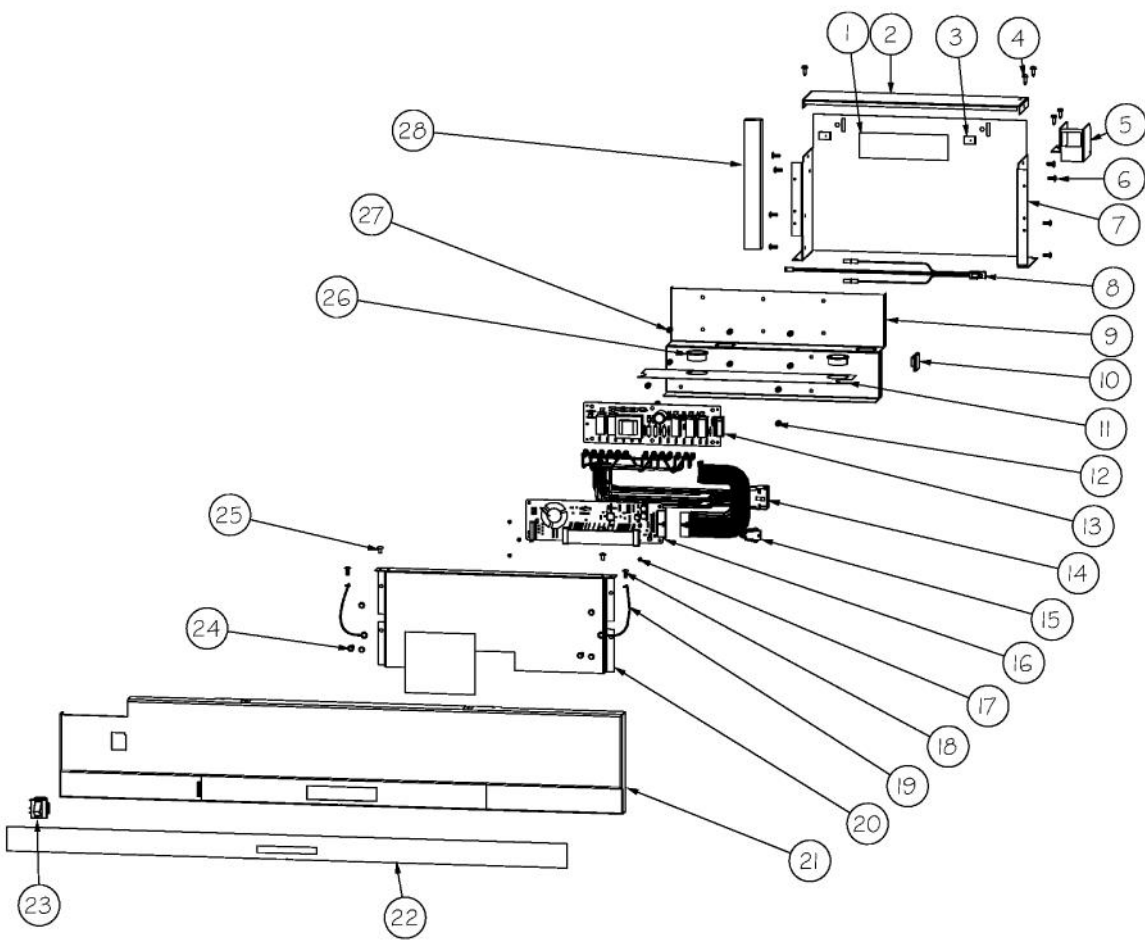
Ref #	Part Number	Qty.	Description
1	L20910705	1	BRACKET LIGHT AR 36
2	PE950125	4	LIGHT SOCKET
3	A3079001	4	LAMP - 40W
4	PD020194	12	SCREW-SM
5	PK930267	1	COVER LIGHT ASM AF AR BM 36
6	000732-000	1	FRESH FOOD FAN - 1.2 W
7	K2096475	1	PLATE-FAN MNT 12404701
8	M0221913	2	SCREW-SM
9	PD020195	3	SCR 8-18 X 5/8
10	12070201	1	CAP-R FAN COVER V12070201
11	M0238535	12	SCREW-SM
12	PM910351	4	SHELF ASM GLASS BM 36 FF
13	PK020074	2	LADDER SIDE BTM 36
14	12071501	1	LADDER-CTR CANT V12071501
15	G50911908	1	SHELF & SLIDE ASM AR 36
16	012396-000	2	DRAWER,PRODUCE,ASM AR 36
17	PK930388	1	DUCT, MEATSAVOR REAR BM 36
18	M0211021	11	SCREW-SM
19	PK930286	1	SHELF MEATSAVOR AR/BM 36
20	PK930175	1	SUPPORT DRAWER MEAT SAVOR SXS 42/48 R
21	M0581001	16	GROMMET-SCREW
22	PK930283	1	DUCT MEATSAVOR SPACER
23	PK930172	1	COVER CONTROL MEAT SAVOR
24	PK930168	1	DIAL CONTROL MEAT SAVOR
25	PM910334	1	ROLLER TENSION
26	PK930169	1	DUCT MEAT SAVOR SXS 42/48 R
27	M0224128	1	SCREW-SM
28	PK930173	1	SUPPORT SLIDE MEAT SAVOR SXS 42/48 R
29	PD920162	6	SCR 8-16 PLASTITE PNP 1/4 S
30	PM910287	1	SLIDE MEAT SAVOR R
31	PK930278	1	DRAWER MEAT SAVOR AR BM 36
32	PM910288	1	SLIDE MEAT SAVOR L
33	PK930174	1	SUPPORT SLIDE MEAT SAVOR SXS 42/48 L
34	PK930284	1	DUCT MEATSAVOR LEFT
35	PK930176	1	SUPPORT DRAWER MEAT SAVOR 42/48 L
36	009916-000	1	MEAT SAVOR LID/DOOR AR/BM36
37	12070202	1	CAP-L FAN COVER V12070202
38	12067401	1	FAN COVER
39	PD020188	2	SCR 8-18 BT HXWS 1 1/2



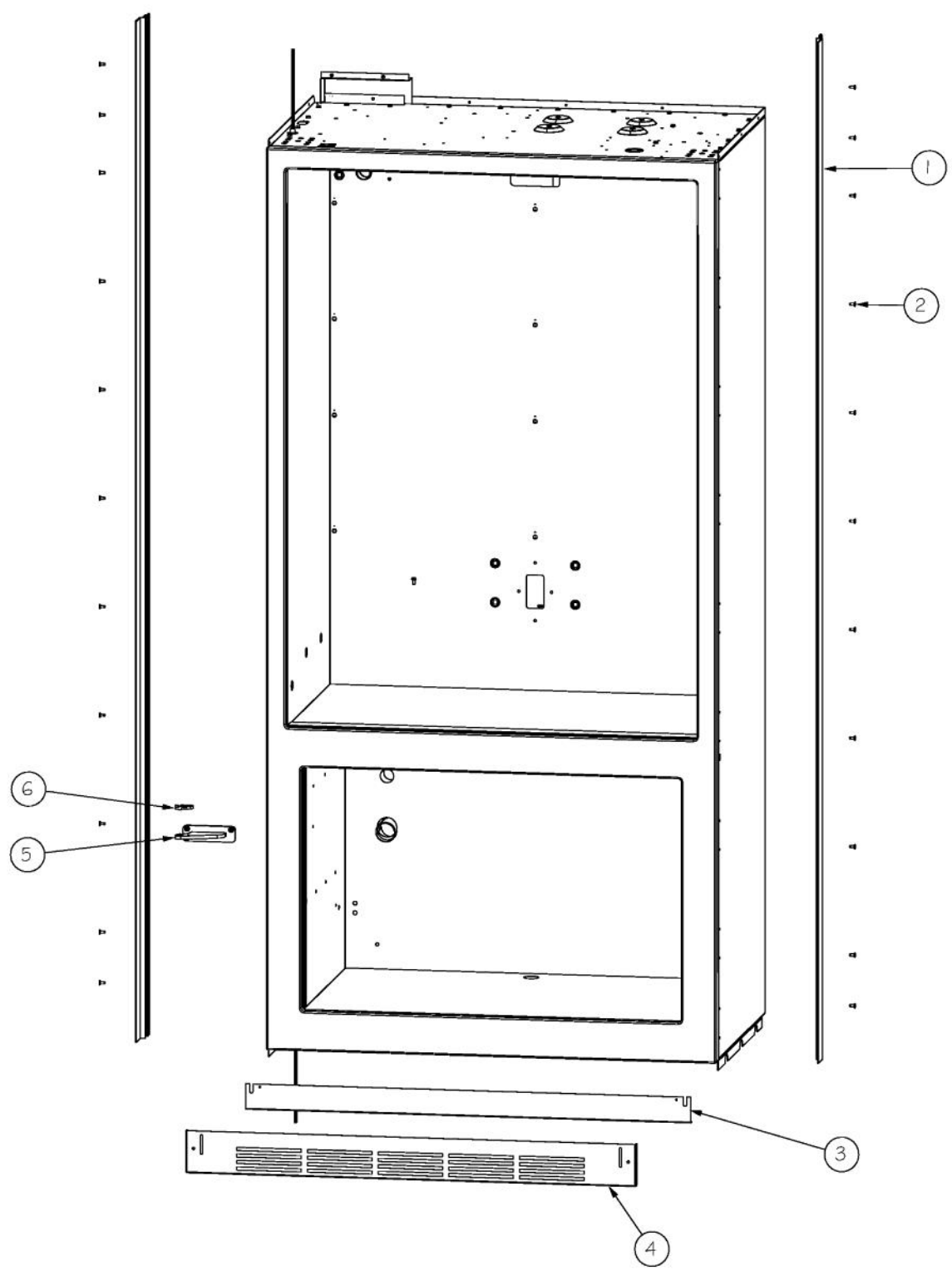
Ref #	Part Number	Qty.	Description
1	G50911850	1	ICE MAKER ASSY, BM
2	PK930056	1	PAN ICE
3	PD020194	6	SCREW-SM
4	004528-000	2	LAMP, 40 WATT BLUE LIGHT
5	PE950125	2	LIGHT SOCKET
6	12074501	1	COVER-FZ LIGHT
7	PM010630	1	TOP BASKET
8	12088001	3	ROLLER-UP BSKT V12088001
9	PD920125	5	SCREW NO.8X3/8 HX HD TYPE B SCREW
10	001091-000	6	NO.8-32X1/4 FLAT PHIL HD TAPTITE
11	PC080029	1	MIDDLE MEMBER, SLIDE BM 36 (RH)
12	PC080028	1	OUTER MEMBER, SLIDE BM 36 (RH)
13	PD920174	1	10-32 TORX HEAD SCREW
14	PM910172	1	BASKET BOTTOM 36 BM FZ
15	M0274067	4	WASHER-NYLON
16	003995-000	1	DIVIDER, BOT BASKET
17	M0253916	4	SCREW-TF
18	PC080030	1	INNER MEMBER, SLIDE BM 36 (RH)
19	PM010622	1	FRAME BASKET ASM 36 BM
20	PC080027	1	INNER MEMBER, SLIDE BM 36 (LH)
21	PC080026	1	MIDDLE MEMBER, SLIDE BM 36 (LH)
22	PC080025	1	OUTER MEMBER, SLIDE BM 36 (LH)



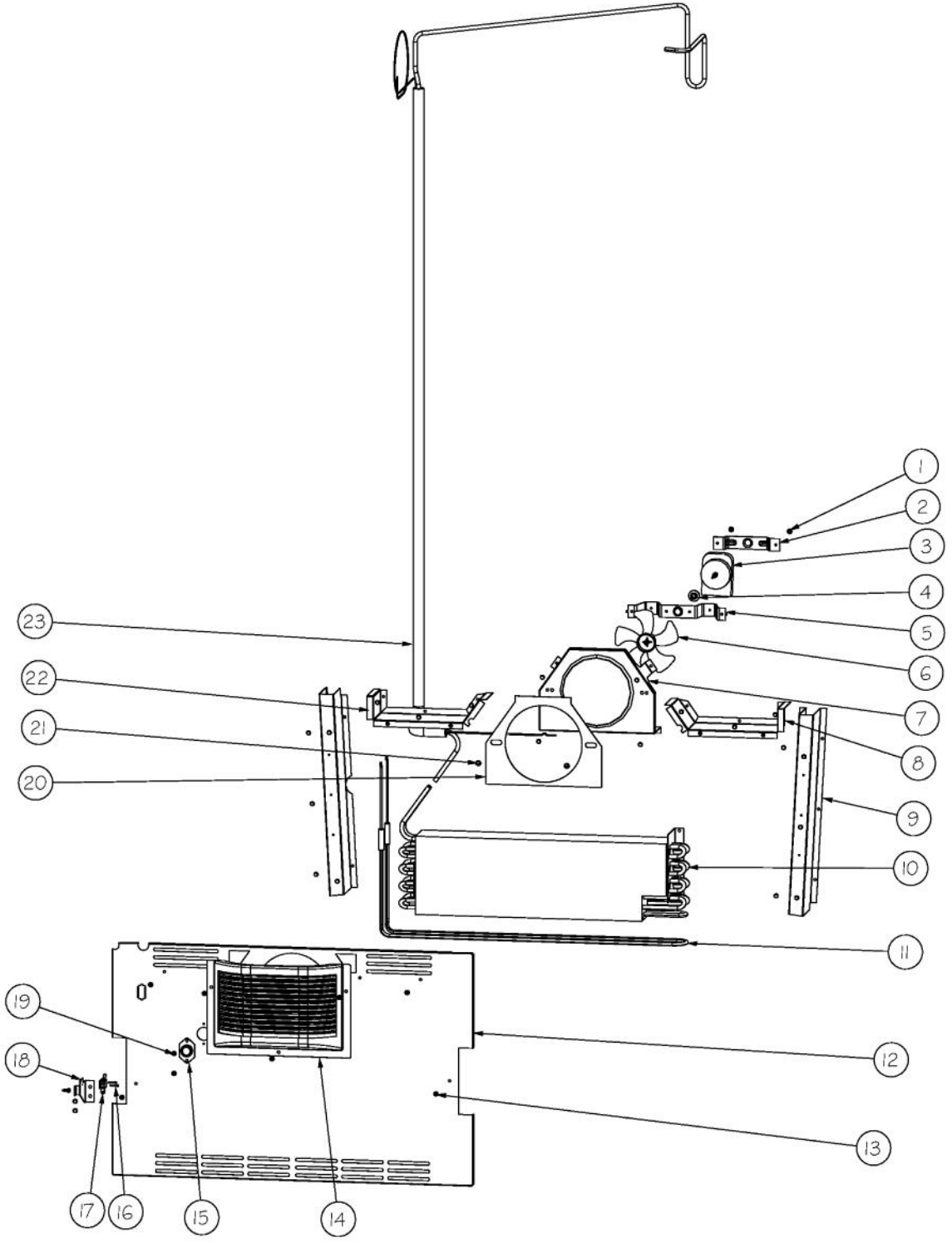
Ref #	Part Number	Qty.	Description
1	F2096507	1	TUBE-PROCESS GRN
2	C8982701	1	LABEL-COMP WARN
3	PB920154	1	HEAT EXCHANGER ASM BM 36
4	F296517	1	DISCHARGE TUBE 12414401
5	10699601	2	DAMPER-TUBING .8
6	PM010619	1	COMPRESSOR VCC
7	PD020194	20	SCREW-SM
8	PD030118	1	SCREW - SHLDR
9	M0221523	4	SCREW - SHLDR
10	10835901	4	GROMMET RUBBER V10835901
11	10916507	1	TUBE-PROCESS GRN
12	K20912569	2	BRACKET GRILLE SUPPORT
13	M0211014	1	SCREW-SM
14	PE950149	1	SWITCH POWER
15	002574-000	1	INVERTER COMPRESSOR
16	PF930682	1	LABEL WARNING INVERTER
17	K2096943	2	PANEL BRACKET
18	G5096494	1	COND. FAN ASSY
19	K20912361	1	DIVERTER AIR HI SIDE 36
20	000975-000	1	SUPPORT, FAN SWITCH
21	007407-000	2	RING,LOK, .187 DIA
22	G50914180	1	TOP HINGE ASM L 36 BM
22	G50914173	1	TOP HINGE ASM R 36 BM
23	030926-000	1	DRIER - HIGH SIDE
24	F2096669	1	TUBE-DRIER COND
25	000570-000	4	HEX SCREW
26	F2097740	1	TUBE PROCESS
27	10547001	1	CLIP-DRIER V10547001
28	A3189370	3	GASKET-FOAM VA3189370



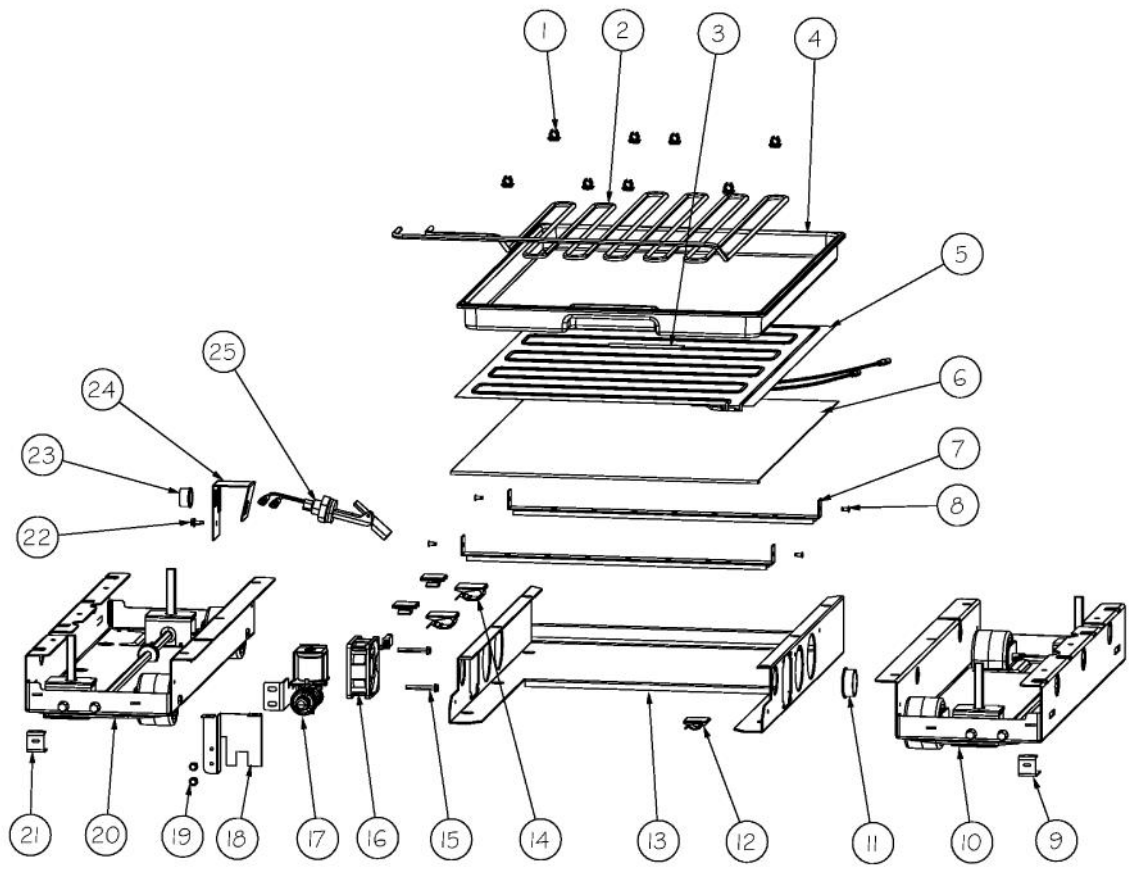
Ref #	Part Number	Qty.	Description
1	PF930487	1	TECH LITERATURE LABEL - 2
2	K20915000	1	CONTROL BOX TOP
3	M0288120	1	NUT-SPEED, VM0288120
4	PD020194	7	SCREW-SM
5	K2098654	1	BRACKET SWITCH POWER
6	PC040010	8	POP RIVET
7	K2099402	1	CONTROL BOX
8	PE970609	1	HARNESS CONTROL BOARD
9	K20910060	1	BRACKET - PC
10	M0104106	1	CLIP-CORD VM0104106
11	005396-000	1	FILM,PROTECTIVE
12	M0585506	4	SUPPORT
13	005319-000	1	POWER CONTROL BOARD ASM
14	015365-000	1	HARNESS HIGH VOLT
15	PE970464	1	HARNESS LOW VOLT
16	PE070728	1	BOARD LOW VOLTAGE
17	PD020013	5	TYPE AB NO.6 X 3/8 PH PAN HD. SMS
18	PC040010	2	POP RIVET
19	12064001	2	SUPP-CONT PANEL
20	K20910061	1	CONTROL BOX FRONT
21	PK030459	1	PANEL CONTROL AR 36 L
22	010491-000	1	OVERLAY SWITCH BTM 36
23	PE950122	1	SWITCH
24	M0238846	1	SCREW-SHLDR
25	M0224128	1	SCREW-SM
26	A4554817	2	BUSHING-SNAP VA4554817
27	M0585504	6	SUPPORT
28	A3030361	1	GASKET, RED



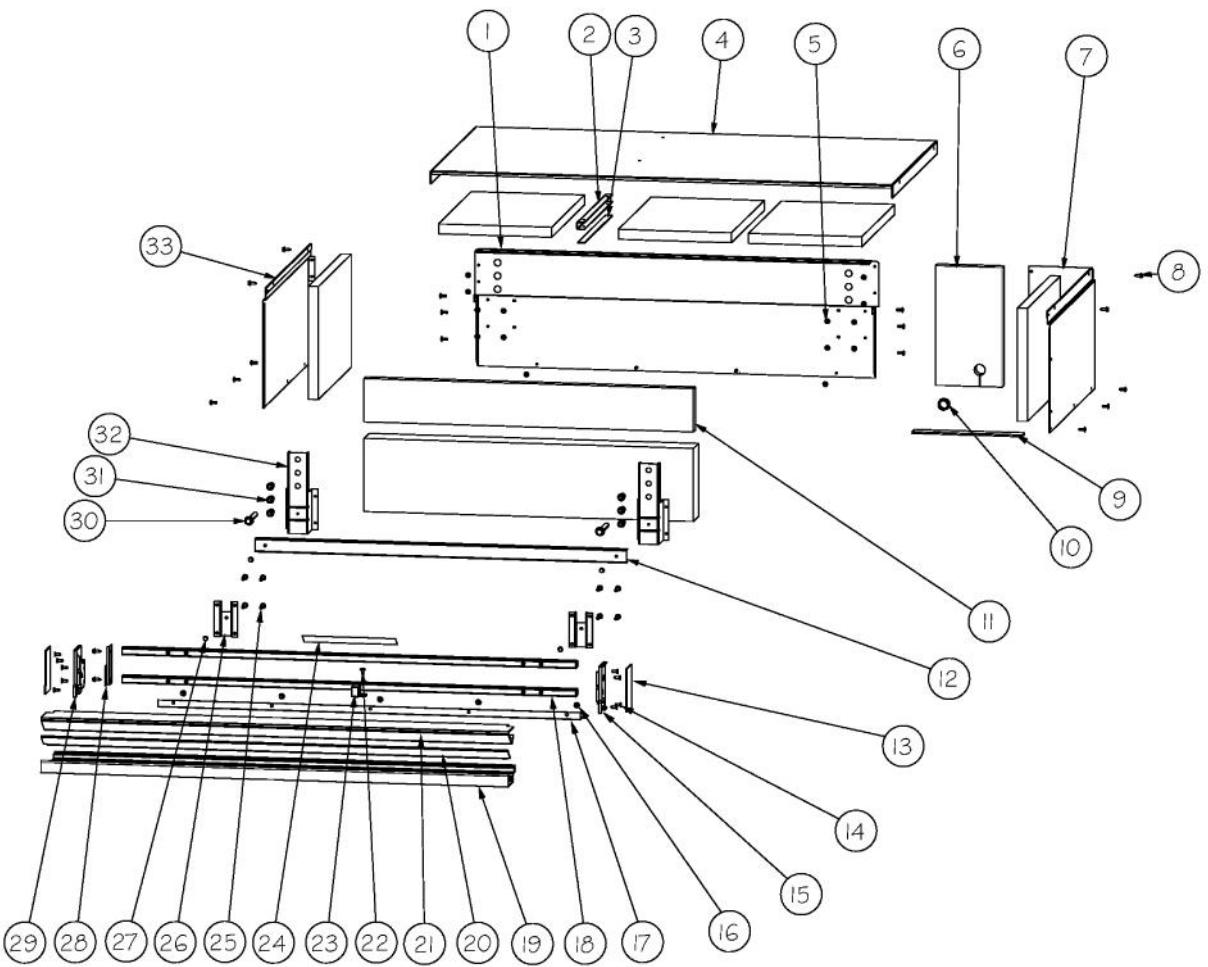
Ref #	Part Number	Qty.	Description
1	PK920066	2	SIDE TRIM
2	M0215318	22	SCREW-SM
3	000147-002	1	KICKPLATE, LWR
4	G50915600	1	GRILLE TOE ASM BM 36
5	PC020249	1	HINGE ASM, LOWER, BM, LH (PRO/DES)
5	PC920170	1	HINGE ASM LOWER BM FO RH
6	PC020228	1	CAM DOOR CLOSURE BOTTOM BLACK



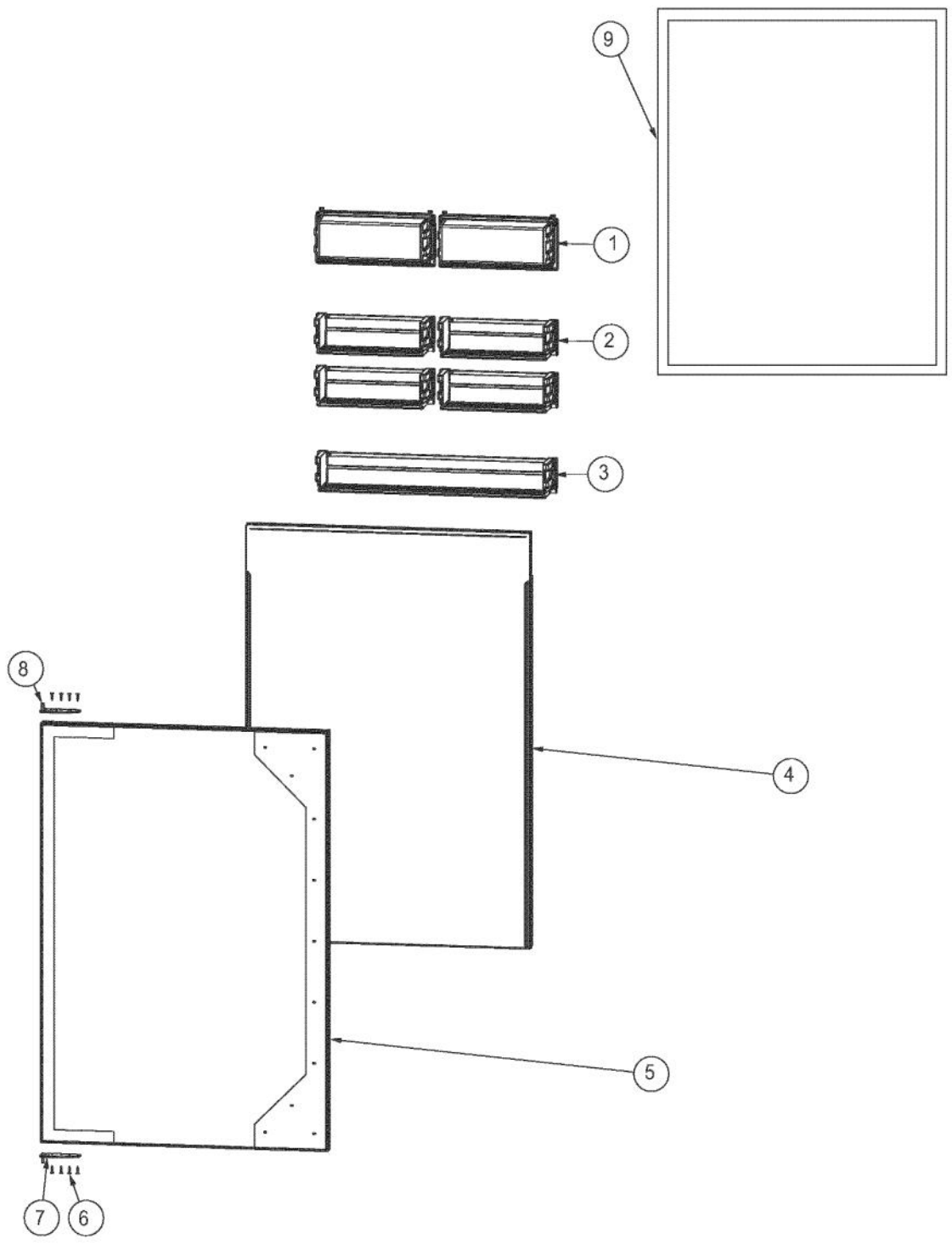
Ref #	Part Number	Qty.	Description
1	PD020193	22	SCR 8-18 X 3/8
2	L21910017	1	BRACKET FAN EVAP
3	PE950153	1	MOTOR EVAP FAN
4	A1017202	1	GROMMET-FAN VA1017202
5	10656101	1	BRKT-MTR UP STEEL V1065601Q
6	12059901	1	FAN-EVAP/5.250 V12059901
7	PM910168	1	SHROUD EVAP FAN BM
8	K2097169	1	BRKT DIVIDER R
9	K2097172	2	RETURN AIR CHANNEL
10	PM910178	1	BOTTOM MOUNT EVAP
11	PJ910030	1	BOTTOM MOUNT EVAP HEATER
12	000247-000	1	COVER, EVAP, BM
13	M0211018	7	SCREW-SM
14	12063301	1	FREEZER FAN COVER
15	C8983701	1	THERMISTOR
16	M0213105	2	SCREW-SM
17	003471-000	1	SWITCH SNAP-ACTION BM 36
18	K2098398	1	36 BM SWITCH MOUNTING BRKT
19	M0211014	2	SCREW-SM
20	12102401	1	GSKT-EVAP FAN SHRD V12102401
21	PD020038	2	SCREW-NO.10 X 3/8 HEX WH.HD.T(F)GREEN
22	K2097168	1	BRKT DIVIDER L
23	031006-000	1	HEAT EXCHANGER ASM BM 36
NI	PB910259	1	THERMOSTAT DEFROST TERMINATOR



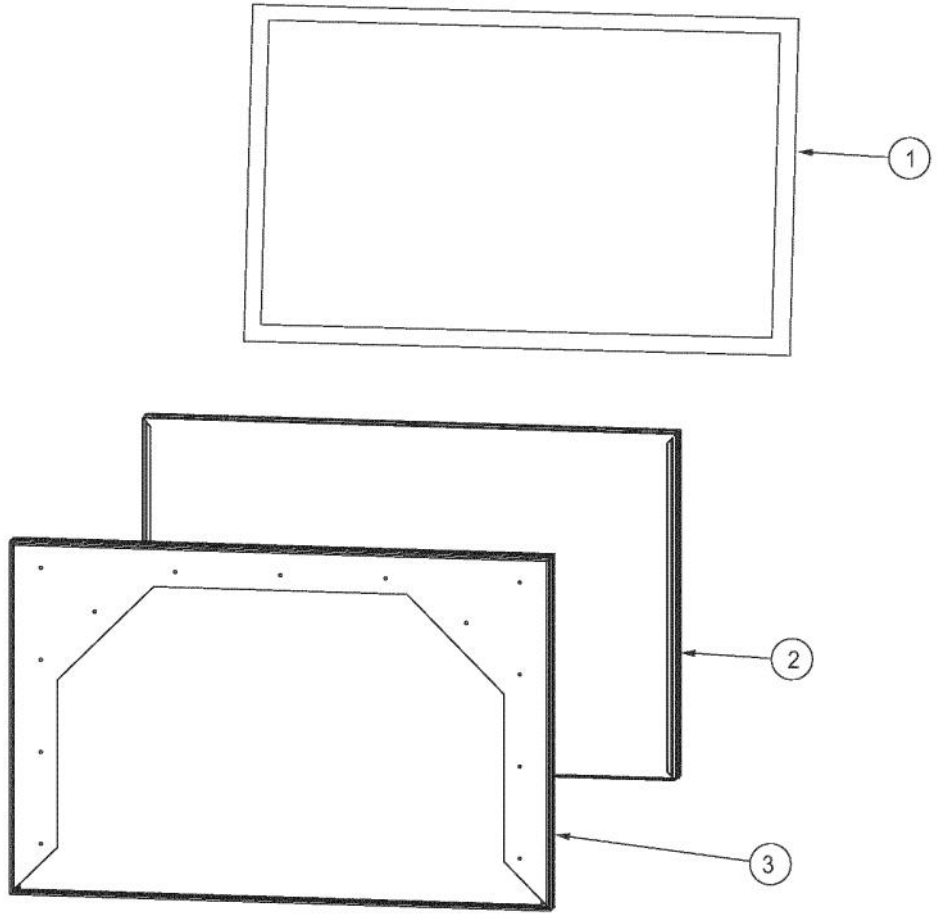
Ref #	Part Number	Qty.	Description
1	PD030146	1	STAND OFF LOCK CLIP
2	F2096549	1	SERPENTINE-DRAIN 12131801
3	PF031267	1	LABEL HEATER PAN
4	PK930348	1	PAN DRAIN
5	PE070707	1	PAN HEATER
6	L20914124WH	1	TRAY PAN HEATER
7	K20913040	2	BRACKET, CONDENSATE SUPPORT
8	10699601	4	DAMPER-TUBING .8
9	K2098044	1	BRKT GRILLE SUPPORT
10	PM910398	1	LEVELER ASSEMBLY - R
11	A4554817	1	BUSHING-SNAP VA4554817
12	M0104106	3	CLIP-CORD VM0104106
13	K20915952	1	SHIELD BOTTOM DRAIN
14	M0104102	1	CLIP-CORD RED
15	PD020274	1	SCR SLTD HEX WSHR HD 8X1.250 BT
16	004551-000	1	AXIAL FAN
17	PA970012	1	SINGLE WATER VALVE
18	K20913788	1	BRKT VALVE H2O SINGLE
19	M0220417	1	SCREW-TC
20	PM910399	1	LEVELER MODULE L
21	K2098096	1	BRKT GRILLE SUPPORT
22	M0253916	1	SCREW-TF
23	A4554806	1	BUSHING-SNAP VA4554806
24	B20915627	1	BRACKET HORIZ FLOAT SWITCH
25	PE050248	1	FLOAT SWITCH HORIZONTAL
NI	PM010581	1	GRILLE LOWER 36 BM RH



Ref #	Part Number	Qty.	Description
1	K2099933	1	MC BACK 36
2	K2099455	1	SUPPORT MC Z
3	G5099929	1	MC COVER COMPLETE ASM
4	K2099931	1	MC TOP 36
5	PC040010	28	POP RIVET
6	PB970171	1	MC INSULATION - BACK SIDE
7	K2099459	1	MC SIDE R
8	PD020194	10	SCREW-SM
9	A3189370	2	GASKET-FOAM VA3189370
10	A4554806	1	BUSHING-SNAP VA4554806
11	PB070358	1	INSULATION MC COVER
12	K20915902	1	CROSSMEMBER PSM 36
13	PM910071	2	COVER - END CAP 12119801
14	M0215318	9	SCREW-SM
15	PM910348	1	ENP CAP GRILLE R
16	M0224128	5	SCREW-SM
17	002035-000	1	GRILLE EXTENSION, BM36
18	PM910505	2	GRILLE SPACER 36 FOL
19	PM010582	1	GRILLE LOWER 36 BM LH
NI	PM010581	1	GRILLE LOWER 36 BM RH
20	PM910429	1	GRILLE LOUVER MID AF AR 36 DES FOL
21	PM910418	1	GRILLE LOUVER UPPER AF AR 36 DES FOL
22	M0230028	1	SCREW-TC
23	PM910084	1	SUPPORT GRILLE 12201201
24	PF930523	1	GRILL BLADE LABEL (REFRIGERATOR)
25	M0213147	8	SCREW-SM
26	PK050004	2	BRACKET GRILLE
27	PD020194	4	SCREW-SM
28	K2099471	1	BRACKET GRILLE SUPPORT L
29	PM910349	1	END CAP GRILLE L
30	PD020233	2	SCR LAG 5/16-9 GX 5/16X7/16 WAF IHXW 3 S ZN
31	PD040157	6	BEARING SLEEVE
32	K20915675	2	BRACKET PSM
33	K2099460	1	MC SIDE L
NI	019581-000	1	GRILLE ASM, 36 BTM FOL RH



Ref #	Part Number	Qty.	Description
1	V12097404	2	DAIRY MODULE ASM
2	G5099298	4	DOOR BIN ASM FF 36 BM AND AR HALF
3	G5099297	1	DOOR BIN ASM FF 36 BM AND AR FULL
4	PK930256	1	LINER DOOR BTM 36 FF
5	G30915956	1	PAN WELD ASSY 36
6	PD920174	8	10-32 TORX HEAD SCREW
7	PC020287	1	PIVOT PL ASM LH LW FOL
7	PC020286	1	PIVOT PL ASM RH LW FOL
8	PC020285	1	PIVOT PL ASM LH UP FOL
8	042385-000	1	FOL LH, BM 4 HOLE PIVOT PLATE KIT (MANUFACTURED BEFORE 8/10/2012)
8	PC020284	1	PIVOT PL ASM RH UP FOL
8	042386-000		FOL RH, 4 HOLE PIVOT PLATE KIT (MANUFACTURED BEFORE 8/10/2012)
9	005449-000	1	GASKET, ASM, 36, FF
NI	008786-000	1	DOOR ASM COMPLETE BM 36 FOL FF L
NI	008788-000	1	DOOR ASM COMPLETE BM 36 FOL FF R



Ref #	Part Number	Qty.	Description
1	005450-000	1	GASKET,ASM,36,BM FZ
2	PK930054	1	LINER DOOR 36 BM FZ
3	G3097171	1	PAN WELD ASM BM 36 FZ
NI	008785-000	1	DOOR ASM COMPLETE BM 36 FOL FZ
NI	002313-000	1	EXTRUSION, FOL, TOP, BM, FZ
NI	008254-000	1	BRACKET,FOL,Z,BM