

This Owner's Manual is provided and hosted by [Appliance Factory Parts](#).



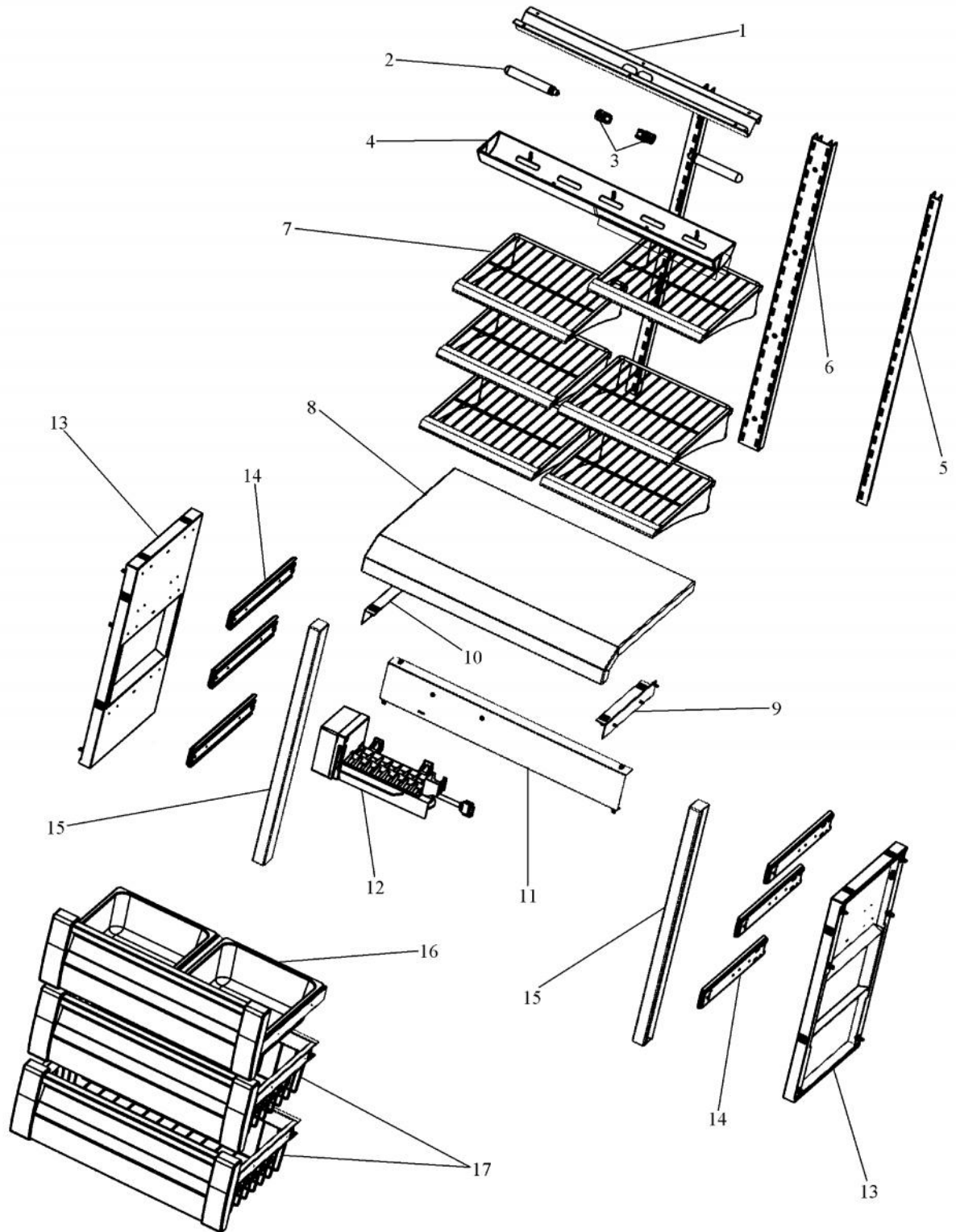
VIKING DFFB364 Owner's Manual

[Shop genuine replacement parts for VIKING DFFB364](#)

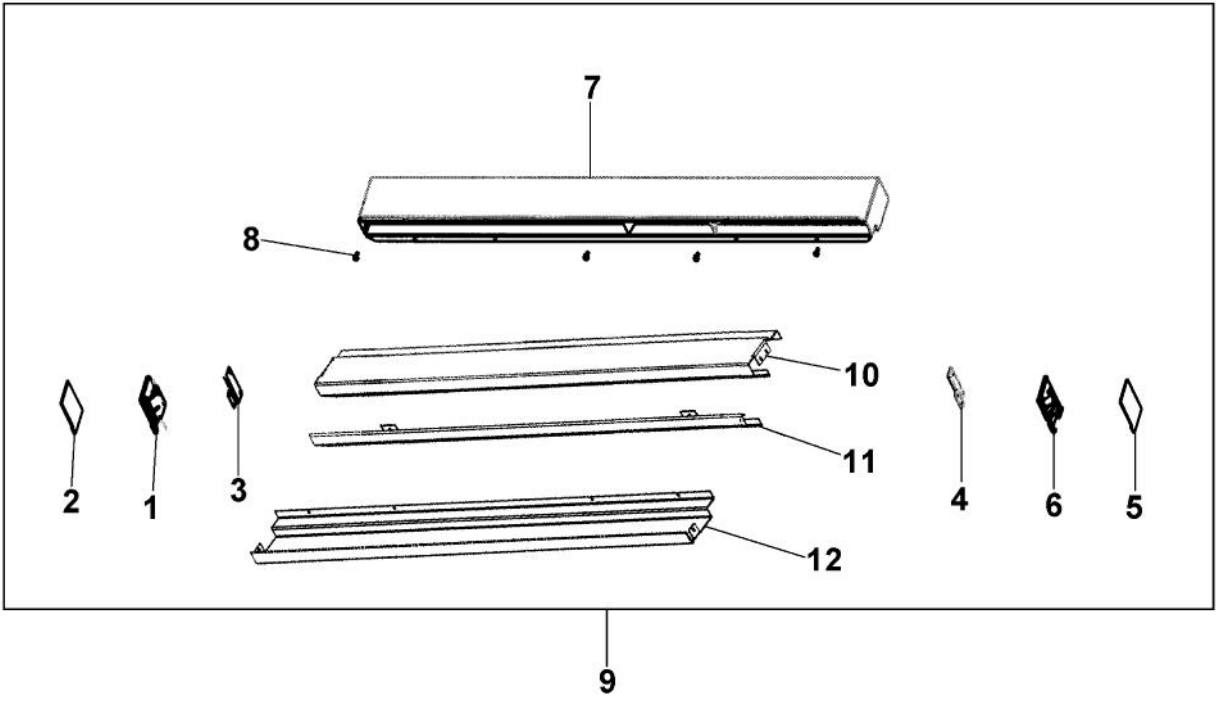


[Find Your VIKING Refrigerator Parts - Select From 341 Models](#)

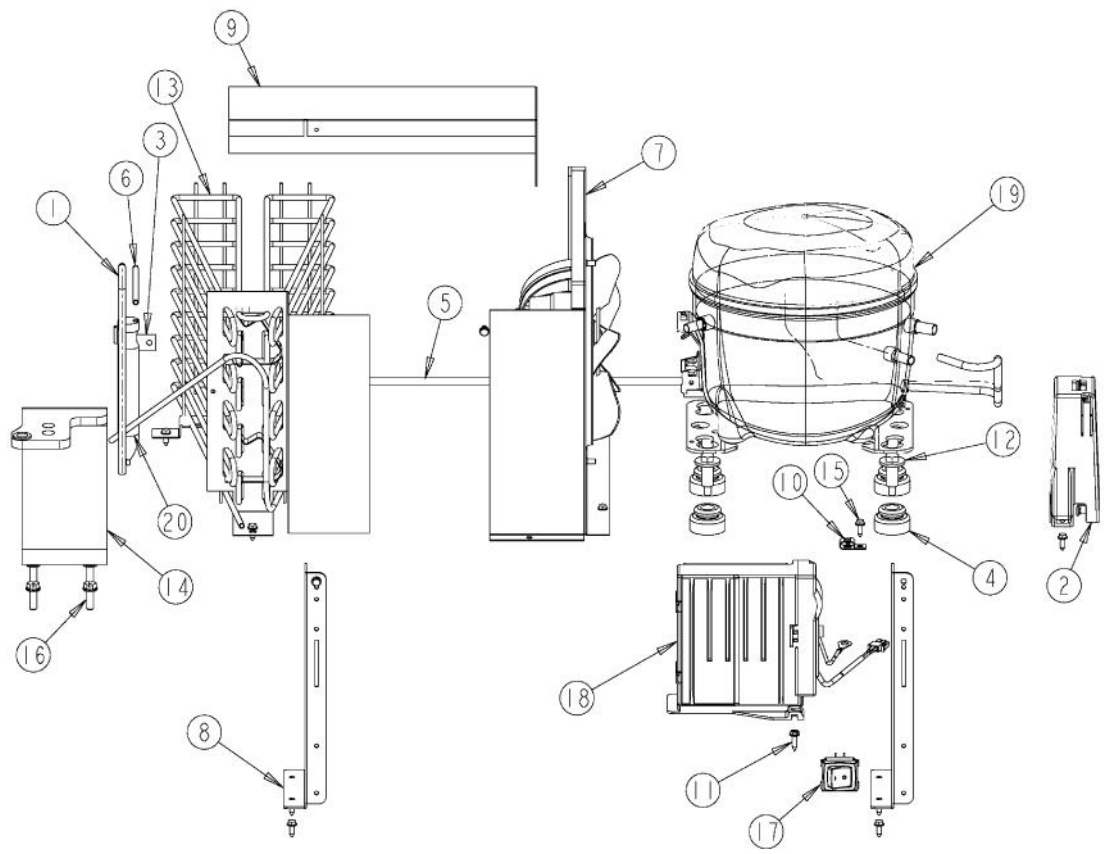
----- Manual continues below -----



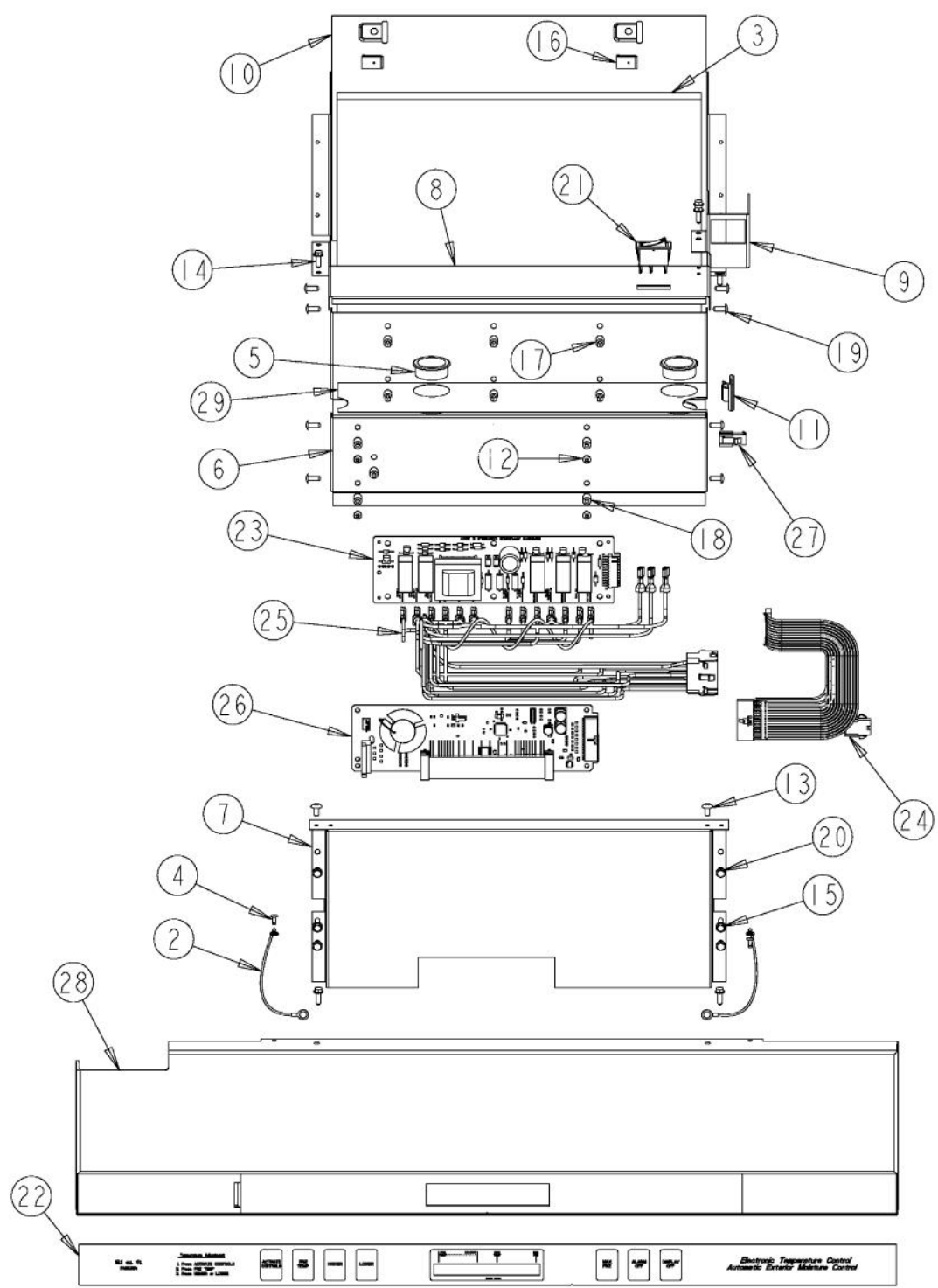
Ref #	Part Number	Qty.	Description
1	L20910705		BRACKET LIGHT AR 36
2	A3079001		LAMP - 40W
3	PE950125		LIGHT SOCKET
4	PK930267		COVER LIGHT ASM AF AR BM 36
5	PM910282		LADDER SIDE
6	PM910285		LADDER CENTER
7	PM910189		SHELF WIRE FZ
8	G50911169		SHELF ICE ASM UPPER AF 36
9	K20911929		BRACKET ICE SHELF R
10	K20911928		BRACKET ICE SHELF L
11	C90911164WH		PLATE IN MOUNT AF 36 XWHX
12	G50911858		ICE MAKER ASM, SXS ND, AF
13	G50911176		BRKT SIDE GLIDE MOUNT ASM
14	PM910417		SLIDE 3 MEMBER 12 IN W/ LVR DISCONNECT
15	G50911181		TRIM ASM SIDE AF 36 30
16	G50911189		DRAWER ICE ASM AF 36
17	G50911195		DRAWER BASKET ASM AF 36



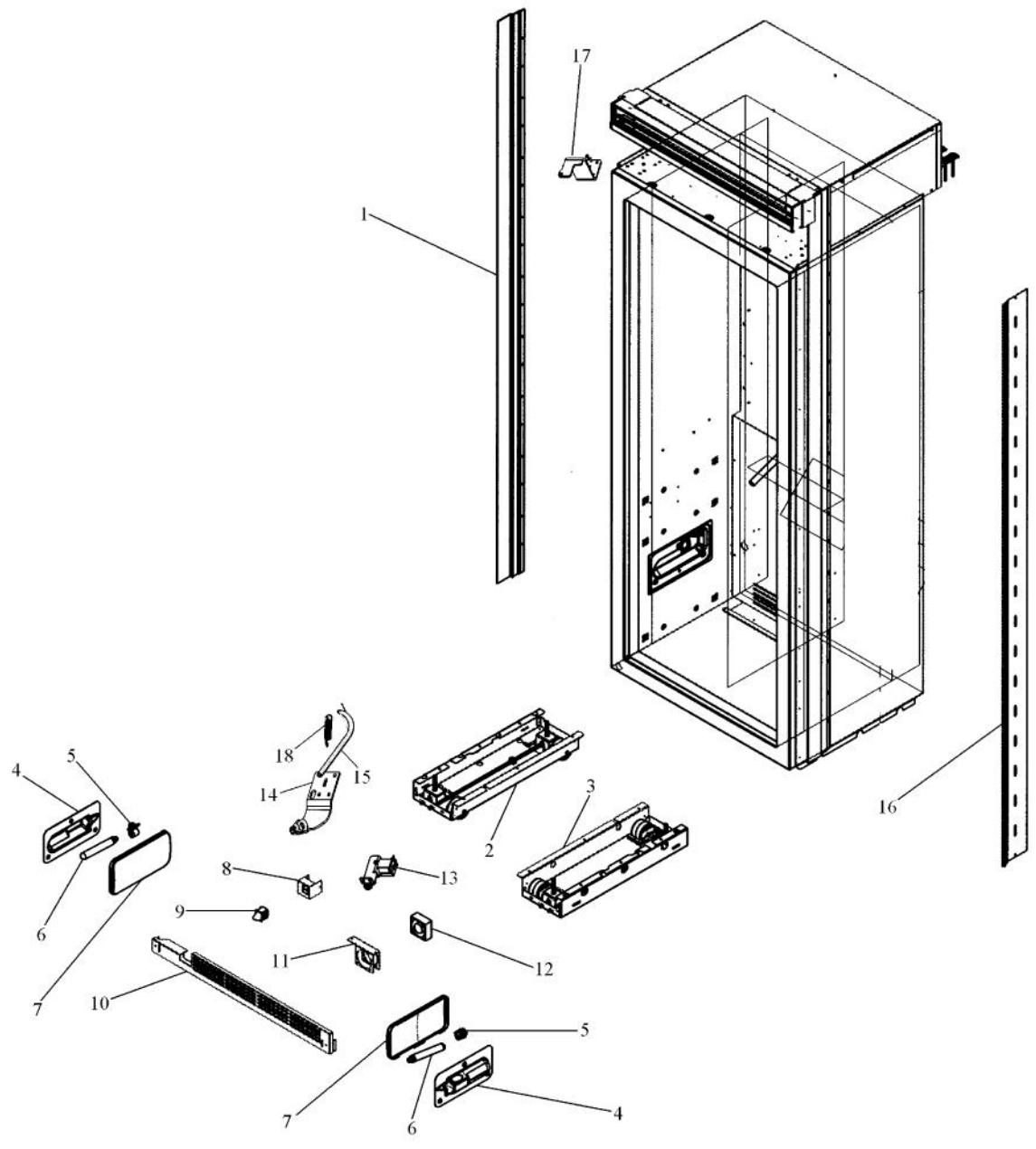
Ref #	Part Number	Qty.	Description
1	PM910349		END CAP GRILLE L
2	PM910071		COVER - END CAP 12119801
3	C9099471BK		BRACKET GRILLE SUPPORT DES L
4	C9099470BK		BRACKET GRILLE SUPPORT DES R
5	PM910072		COVER - END CAP 12119802
6	PM910348		ENP CAP GRILLE R
7	G90911117BK		AIR DUCT ASM COMPLETE AF AR 36 XBKX
8	M0220417		SCREW-TC
9	G32911121		GRILLE ASM AF AR 36 DES R
	G32911120		GRILLE ASM AF AR 36 DES L
10	PM910418		GRILLE LOUVER UPPER AF AR 36 DES FOL
11	PM910429		GRILLE LOUVER MID AF AR 36 DES FOL
12	PM910419		GRILLE LOUVER LOWER AF AR 36 L DES FOL
	PM910421		GRILLE LOUVER LOWER AF AR 36 R DES FOL
NI	PM910248		MANIFOLD --- FILTER



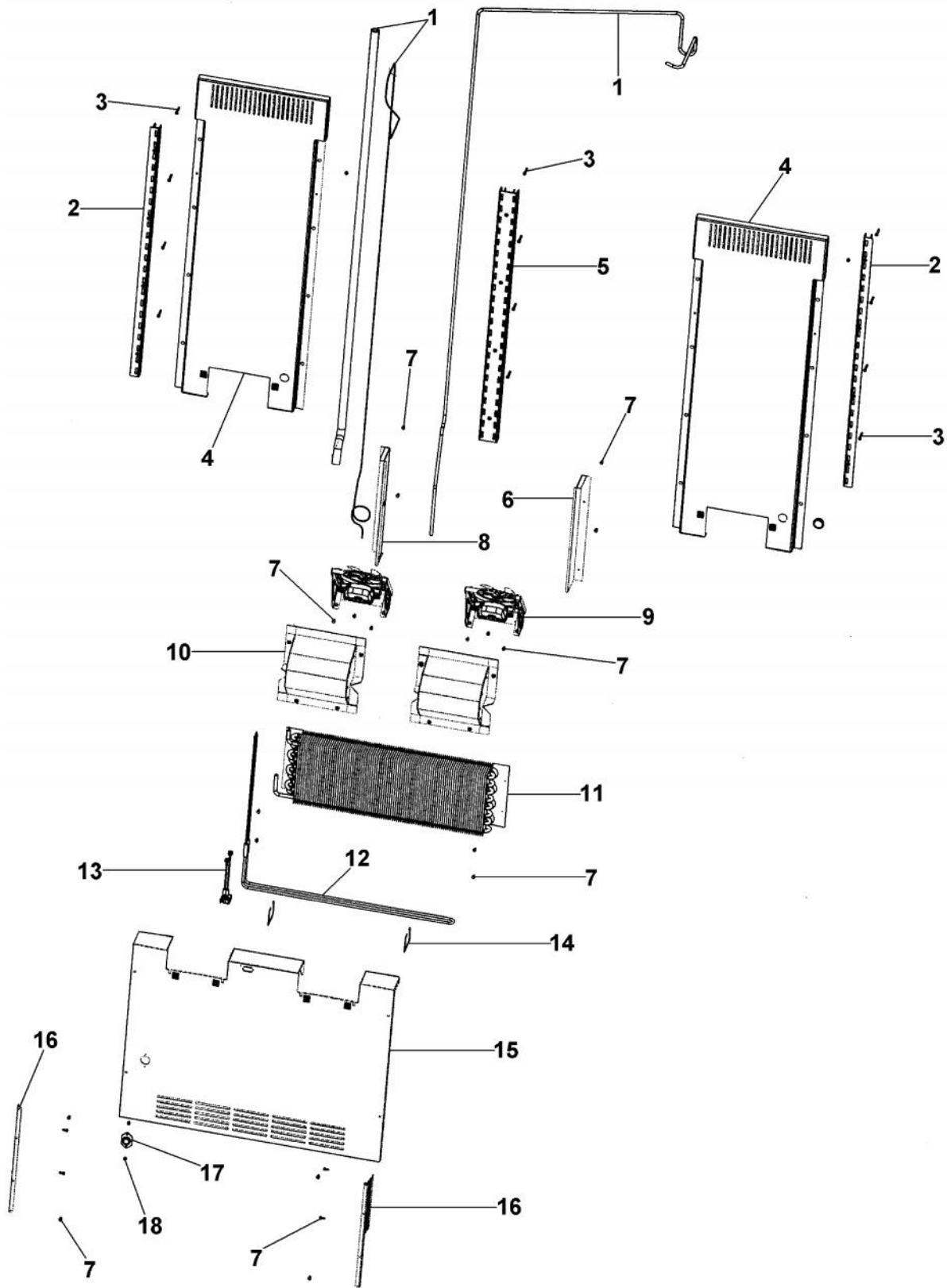
Ref #	Part Number	Qty.	Description
1	F2096507		TUBE-PROCESS GRN
2	PE970608		POWER SUPPLY 24 VDC 15 W
3	10547001		CLIP-DRIER V10547001
4	10835901		GROMMET RUBBER V10835901
5	F20910729		TUBE DISCHARGE FORMED AF AR 36
6	F2096504		TUBE-DRIER EXT
7	G5096494		COND. FAN ASSY
8	K20912569		BRACKET GRILLE SUPPORT
9	K20912361		DIVERTER AIR HI SIDE 36
10	M0103904		CLAMP-SPEED
11	M0211018		SCREW-SM
12	M0221523		SCREW - SHLDR
13	PB920171		CONDENSER ASM
14	PC920204		HINGE ASM UL
	PC920203		HINGE ASM UR
15	PD020194		SCREW-SM
16	PD940088		SCREW, 1/4 X 20 HEX WASHER SERRATED
17	PE950149		SWITCH POWER
18	PE970449		INVERTER ASSEMBLY
19	G5097976		COMPRESSOR ASSEMBLY (363 AND 483)
20	10743201		DRIER, HI SIDE
NI	K2096943		PANEL BRACKET



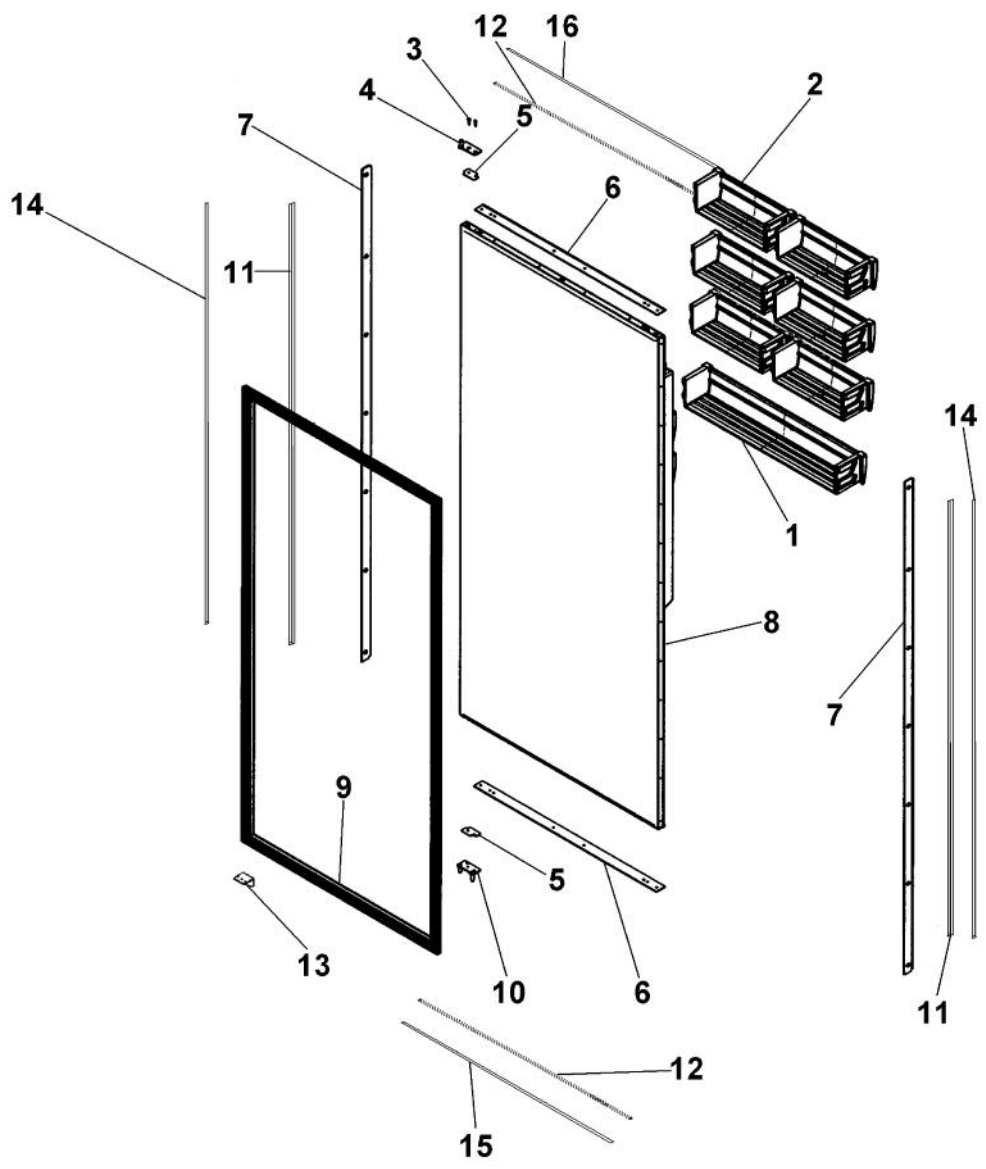
Ref #	Part Number	Qty.	Description
1	10916507		TUBE-PROCESS GRN
2	12064001		SUPP-CONT PANEL
3	12074703		INSUL-CONT BOX V12074703
4	A4539601		SUB TO PC040010 - RIVET-POP VA4539601
5	A4554817		BUSHING-SNAP VA4554817
6	K20910060		BRACKET - PC
7	K20610061		FRONT, CONTROL BOX
8	K20910062		CONTROL BOX TOP
9	K2098654		BRACKET SWITCH POWER
10	K2099402		CONTROL BOX
11	M0104106		CLIP-CORD VM0104106
12	M0217204		SCREW, SM
13	M0224128		SCREW-SM
14	M0238616		SCREW-SM
15	M0238846		SCREW-SHLDR
16	M0288120		NUT-SPEED, VM0288120
17	M0585504		SUPPORT
18	M0585506		SUPPORT
19	PC040010		POP RIVET
20	PD020194		SCREW-SM
21	PE950150		SPDT ROCKER SW. W/LEGEND
22	PE950180		OVERLAY SWITCH AF 36
23	PE970463		POWER CONTROL BOARD
24	PE970464		HARNESS LOW VOLT
25	PE970465		HARNESS HIGH VOLT
26	PE970603		LOW VOLTAGE BOARD
27	PE970609		HARNESS CONTROL BOARD
28	PE940213		COVER CONTROL PANEL BM 362 LH
	PE940212		COVER CONTROL PANEL AF AR 36 R
29	PM910325		FILM PROTECTIVE



Ref #	Part Number	Qty.	Description
1	PK920066		SIDE TRIM
2	PM910399		LEVELER MODULE L
3	PM910398		LEVELER ASSEMBLY - R
4	10270203		HOUSING-LIGHT V10270203
5	10281601		SOCKET-SGL LIGHT
6	A3079001		LAMP - 40W
7	PK930346		COVER LIGHT
8	C20911329		SWITCH MOUNT
9	PE950146		SWITCH SPDT BLACK
10	G50911379		GRILLE TOE ASM 36 LH
	G50911378		GRILLE TOE ASM COMPLETE 36 R
11	K20911976		BRACKET EVAP FAN ICE
12	12075003		MOTOR-REF FAN
13	PA970142		WATER VALVE
14	G3298649		HINGE ASM COMPLETE LL
	G3298648		HINGE ASM COMPLETE LR
15	PC920204		HINGE ASM UL
	PC920203		HINGE ASM UR
16	PK920066		SIDE TRIM
17	PC920204		HINGE ASM UL
	PC920203		HINGE ASM UR
18	PC910015		SPRING EXTENSION
NI	PB920202		TUBE WATER VALVE
NI	B5705313		TUBE-PLASTIC NO.



Ref #	Part Number	Qty.	Description
1	F2099937		TUBE FORMED HT EXCH AF 36
2	PM910282		LADDER SIDE
3	M0238535		SCREW-SM
4	G50911183		COVER UPPER EVAP ASM AF 36
5	PM910285		LADDER CENTER
6	L20911339WH		DIVERTER AIR RT 36 AF
7	M0238616		SCREW-SM
8	L20911338WH		DIVERTER AIR LFT 36 AF
9	G50912354		FAN ASSEMBLY AF 36
10	G50911134		COVER ASM FAN EVAP AF 36
11	PM910454		EVAPORATOR AF 36
12	PJ910037		DEFROST HEATER AF 36
13	PB910259		THERMOSTAT DEFROST TERMINATOR
14	PM910468		CLIP EVAP HTR 36 30 AF
15	G50911182		COVER ASM LOWER EVAP AF 36
16	K2096461		BRKT-EVAP COVER 12234801
17	C8983701		THERMISTOR
18	M0232929		SCREW-SE



Ref #	Part Number	Qty.	Description
1	G5099905		DOORBIN ASM AF 36 FULL
2	G5099906		DOORBIN ASM AF 36 HALF
3	M0226233		SUB TO PD920174 - 10 X 7/8 PHILLIPS SMA TRI LOBE SA
4	PC920208		PIVOT PL ASM LH UP FOL
	PC920204		HINGE ASM UL
5	PD940092		SPACER - DOOR HINGE
6	PM910431		TRIM - TOP / BOTTOM
7	PM910102		SIDE TRIM
8	G5098373		DOOR ASM AF 36
9	PB970156		GASKET
10	PC920206		PIVOT PL ASM LH LW FOL
	PC920205		PIVOT PL ASM RH LW FOL
11	K2096650		BRKT-DEC PANEL
12	K2096648		BRKT-DEC PANEL
13	C90911328BK		STRIKER SWITCH
14	PM910097		INSERT SXS FF/FZ SIDE 12063706
15	PM910476		SCREW COVER INSERT - BOTTOM
16	PM910475		SCREW COVER INSERT - TOP
NI	M0210443		SCREW-E SM

*No Image
Available*

Ref #	Part Number	Qty.	Description
NI	044042-000	1	ALL FREEZER FLOAT SWITCH WIRING KIT (FOR UNITS MANUFACTURED BEFORE 1/9/13)