

This Owner's Manual is provided and hosted by [Appliance Factory Parts](#).



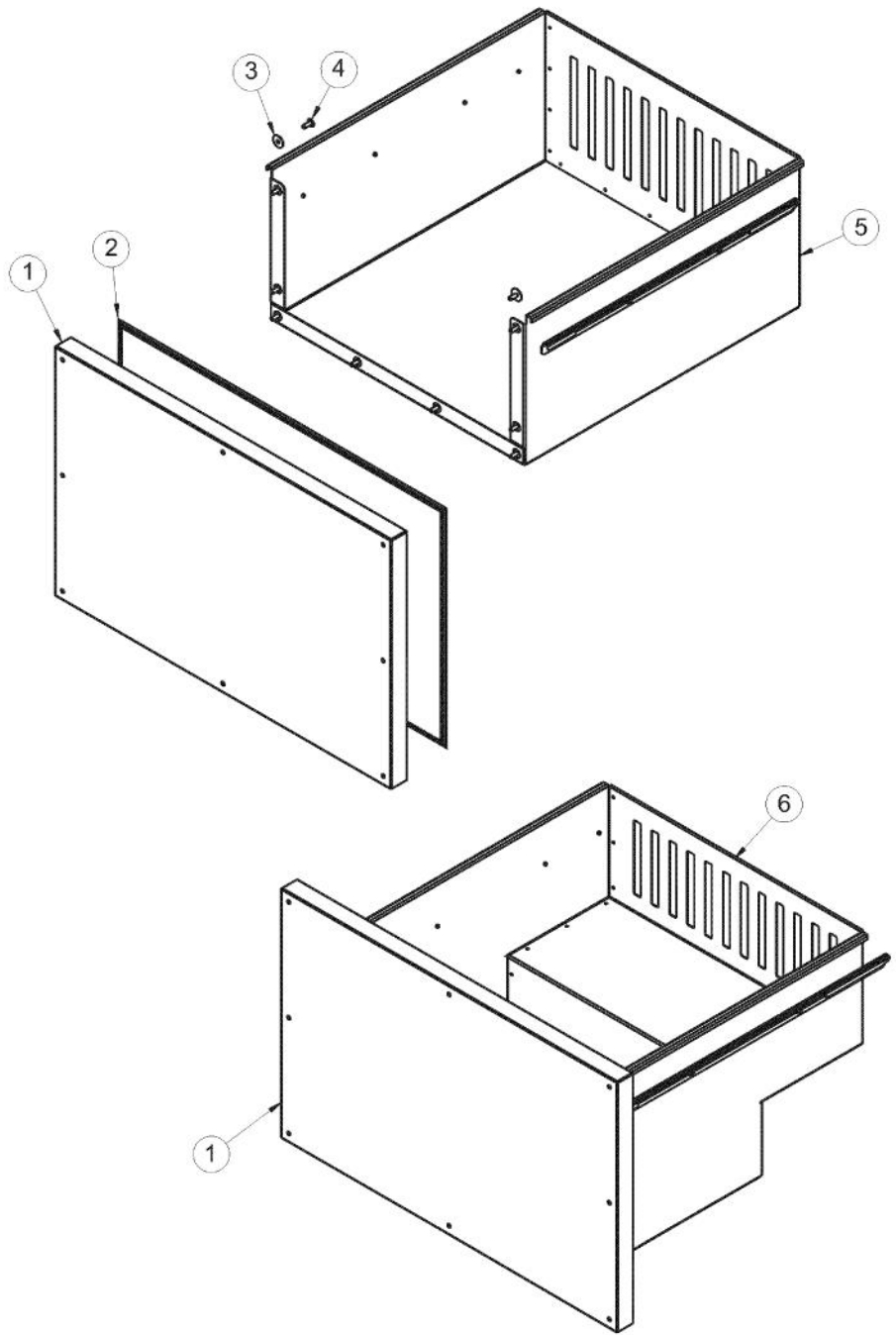
VIKING DFRD144D Owner's Manual

[Shop genuine replacement parts for VIKING DFRD144D](#)



[Find Your VIKING Refrigerator Parts - Select From 341 Models](#)

----- Manual continues below -----



Ref #	Part Number	Qty.	Description
1	010088-000	2	DRAWER FRONT ASM - BK
2	PS100095	2	DOOR GASKER - BK
3	009636-000	18	WASHER - SS
4	009635-000	18	SCREW - SS
5	PS100100	1	TOP DRAWER - SS
6	PS100101	1	BOTTOM DRAWER - SS