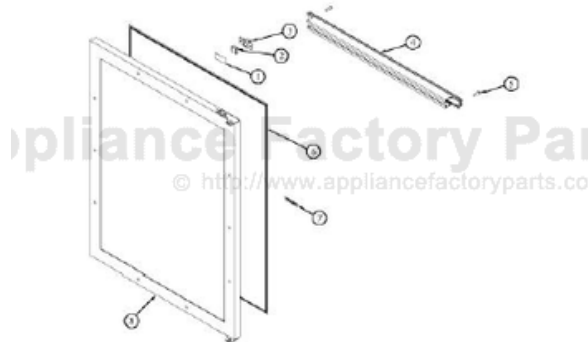


This Owner's Manual is provided and hosted by [Appliance Factory Parts](#).



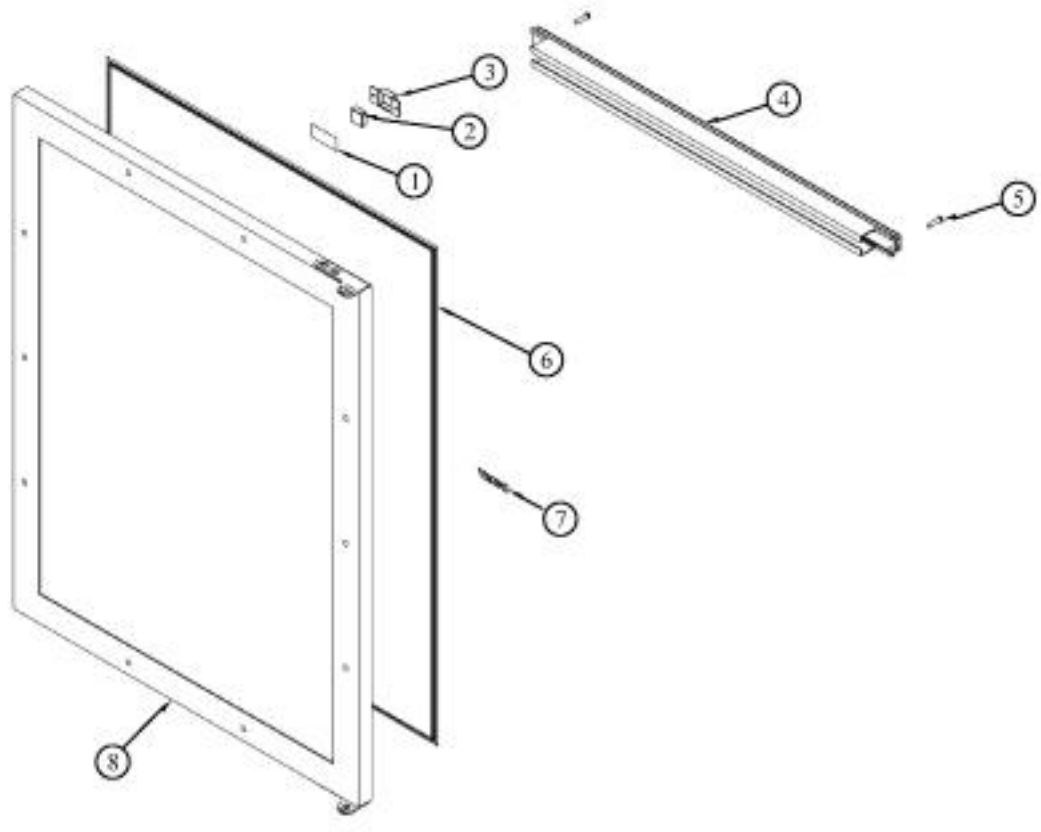
# VIKING DFUW244 Owner's Manual

[Shop genuine replacement parts for VIKING DFUW244](#)

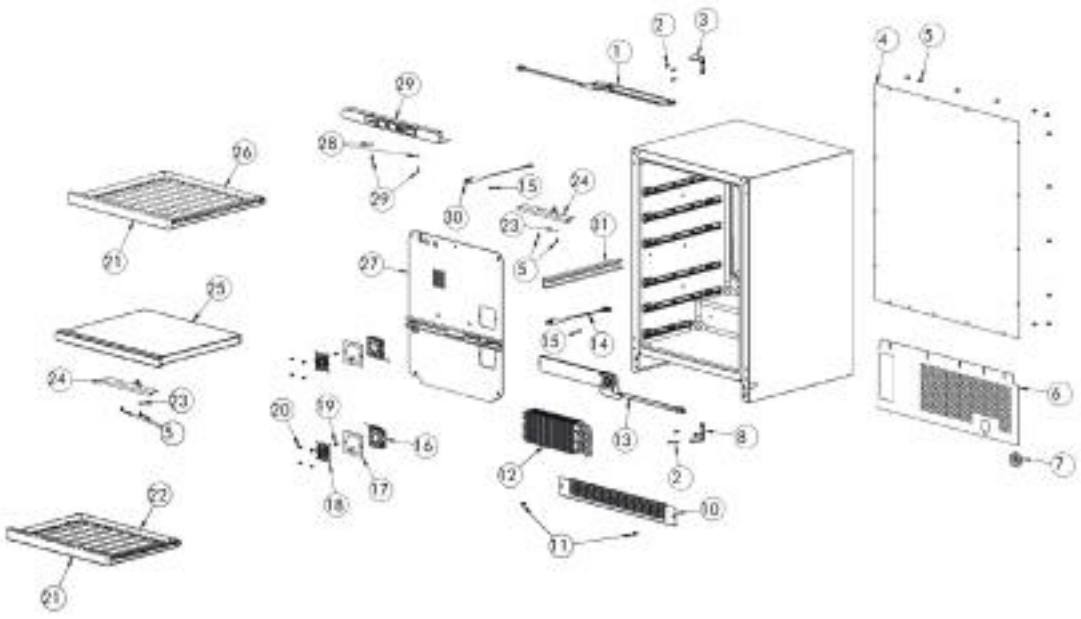


[Find Your VIKING Refrigerator Parts - Select From 341 Models](#)

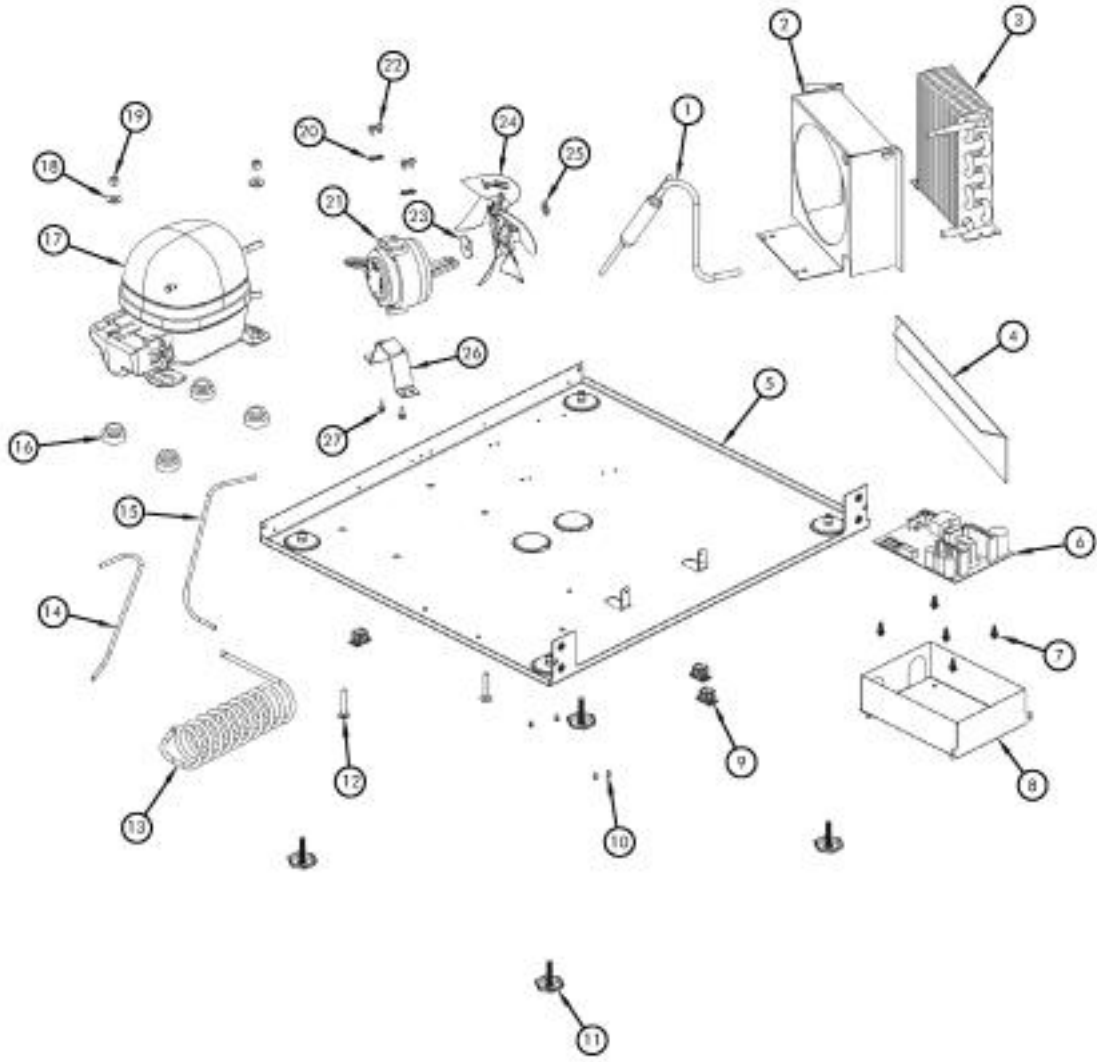
----- Manual continues below -----



Ref #	Part Number	Qty.	Description
1	009762-000	1	3M TAPE, 1.75
2	009759-000	1	DOOR SWITCH MAGNET
3	010216-000	1	DOOR SWITCH MAGNET RETAINER
4	020856-000	1	DIVIDER GASKET, BLACK
5	020839-000	2	NO.8 X 3/4 PHILLIPS PAN HEAD TEK SCREW, BLACK
6	010655-000	1	DOOR GASKET - BK
7	010009-000	1	DOOR LOGO
8	020884-000	1	DOOR ASSY, FOL, RH, CLEAR GLASS, W/LOCK
NI	020885-000	1	DOOR ASSY, FOL, LH, CLEAR GLASS, W/LOCK
NI	020886-000	1	DOOR ASSY, FOL, RH, FLUTED GLASS, W/LOCK
NI	020887-000	1	DOOR ASSY, FOL, LH, FLUTED GLASS, W/LOCK



Ref #	Part Number	Qty.	Description
1	009525-000	1	DOOR HINGE ASSEMBLY - 42247016
2	010236-000	6	10-32 X 3/4? PHILLIPS COUNTERSUNK SCREW, ZN
3	010695-000	1	STANDARD HINGE, RIGHT TOP, CHROME
4	010694-000	1	BACK PANEL
5	009924-000	17	WASHER HD SCREW - ZN
6	010080-000	1	STAND-OFF STUD - DESIGNER
7	009487-000	1	BUSHING
8	010702-000	1	STANDARD HINGE, RIGHT BOTTOM, CHROME
10	009504-000	1	SUPPORT PEG WASHER - WH
11	009489-000	2	NO.12 X 3/4 TYPE AB PHILLIPS SCREW, BLACK
12	020862-000	1	EVAPORATOR ASSEMBLY
13	009609-000	1	FAN/HEATER ASSEMBLY, LOWER COMPARTMENT
14	020861-000	1	THERMISTOR/HARNES ASM, LOWER COMP.
15	003835-000	20	NO.6-20 X 1/2? PHILLIPS PAN HEAD SCREW, SS
16	010223-000	2	SCREW, NO.10-32 X .75 COUNTERSUNK, SS
17	009505-000	2	UPPER WINE SHELF - CHROME
18	020842-000	2	WIRE FORM FAN FINGER GUARD
19	009489-000	4	NO.12 X 3/4 TYPE AB PHILLIPS SCREW, BLACK
20	020838-000	8	NO.10-16 X 1/2? HEX WASHER HEAD SCREW, BLACK
21	020843-000	6	WOOD SHELF FRONT
22	020864-000	1	LOWER SHELF ASSEMBLY
23	007641-000	2	NO.10 EXTERNAL TOOTH LOCKWASHER
24	010767-000	2	TUBE LIGHT
25	020888-000	1	DIVIDER ASSEMBLY, RIGHT-HAND
25	020889-000	1	DIVIDER ASSEMBLY, LEFT-HAND
26	020865-000	5	UPPER SHELF ASSEMBLY
27	010668-000	1	RETAINER, MAGNET
28	009486-000	2	NO.10 EXTERNAL TOOTH STAR WASHER, SS
29	009485-000	2	MACHINE SCREW - SS
30	020890-000	1	USER INTERFACE DISPLAY ASSEMBLY, GLASS DOOR, BLA...
31	020860-000	1	THERMISTOR/HARNES ASM, UPPER COMP.
32	009497-000	1	HIGH VOLTAGE CONDUIT
NI	007641-000	1	NO.10 EXTERNAL TOOTH LOCKWASHER



Ref #	Part Number	Qty.	Description
1	020863-000	1	DRIER ASSEMBLY
2	020851-000	1	CONDENSER FAN SHROUD
3	010243-000	1	CONDENSER
4	020852-000	1	AIR BAFFLE
5	020840-000	1	MECHANICAL BASEPLATE
6	020858-000	1	MAIN ELECTRONIC CONTROL
7	009513-000	5	STANDOFF
8	020846-000	1	MAIN CONTROL HOUSING
9	007640-000	4	PLASTIC WIRE CLIP
10	PW200019	4	POP RIVET
11	010031-000	4	LEVELING LEG
12	010040-000	2	1/4-20 X 1 1/2 CARRIAGE BOLT
13	020853-000	1	PRECOOLER
14	020854-000	1	TUBE, COMPRESSOR TO PRECOOLER
15	020855-000	1	TUBE, PRECOOLER TO CONDENSER
16	N/A	4	HEAT SHIELD - MUST ORDER ITEM NO. 11
17	010350-000	1	COMPRESSOR ASSEMBLY
18	PW200018	2	.312 ID FLAT WASHER
19	PW200017	2	LOCK NUT .25-.20 UNC
20	007641-000	4	NO.10 EXTERNAL TOOTH LOCKWASHER
21	020825-000	1	FAN MOTOR, MORRILL 115V
22	PW200021	4	SCREW
23	N/A	1	HEAT SHIELD - MUST ORDER ITEM NO. 11
24	010248-000	1	FAN BLADE
25	N/A	1	HEAT SHIELD - MUST ORDER ITEM NO. 11
26	009509-000	2	NO.8-36 SCREW
27	N/A	1	HEAT SHIELD - MUST ORDER ITEM NO. 11
NI	020824-000	1	NO.8 EXTERNAL TOOTH LOCK WASHER
NI	010353-000	1	GROUND WIRE
NI	009515-000	1	NO.10-32 X 1/2 HEX WASHER HEAD SCREW
NI	020850-000	1	POWER CORD
NI	N/A	4	HEAT SHIELD - MUST ORDER ITEM NO. 11
NI	020859-000	1	COMMUNICATION HARNESS ASSEMBLY
NI	024129-000	1	CONDENSOR FAN ASM.