

This Owner's Manual is provided and hosted by [Appliance Factory Parts](#).



VIKING DUAR154 Owner's Manual

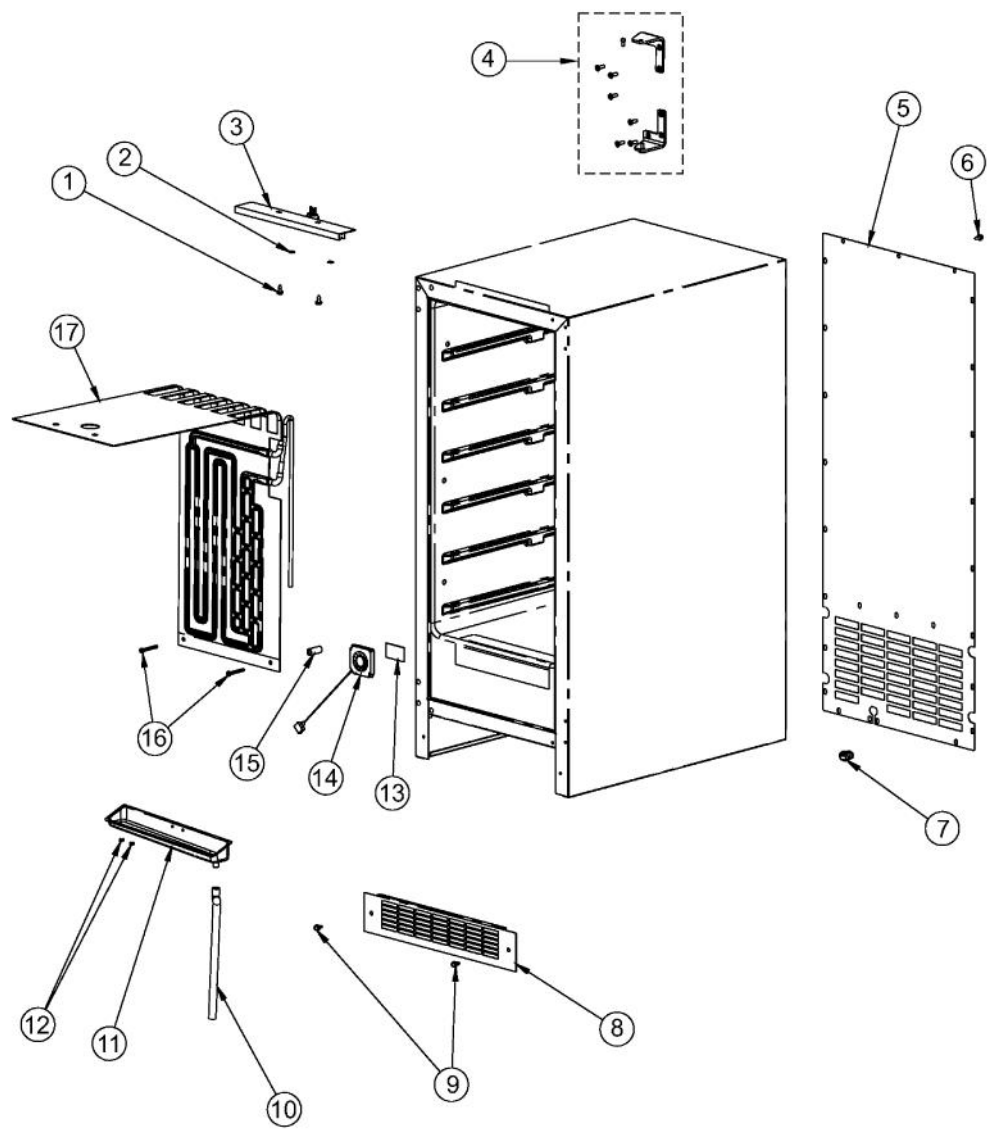
[Shop genuine replacement parts for VIKING DUAR154](#)



[Find Your VIKING Refrigerator Parts - Select From 341 Models](#)

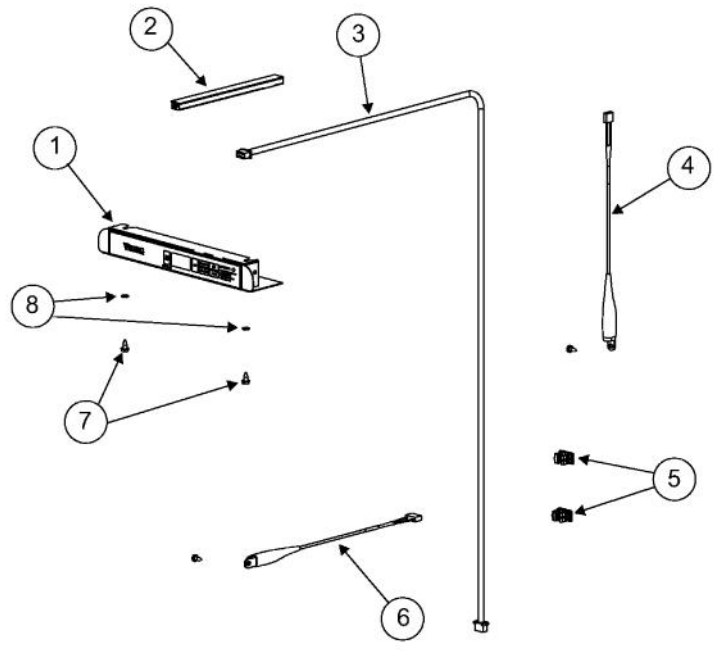
----- Manual continues below -----

CABINET AREA



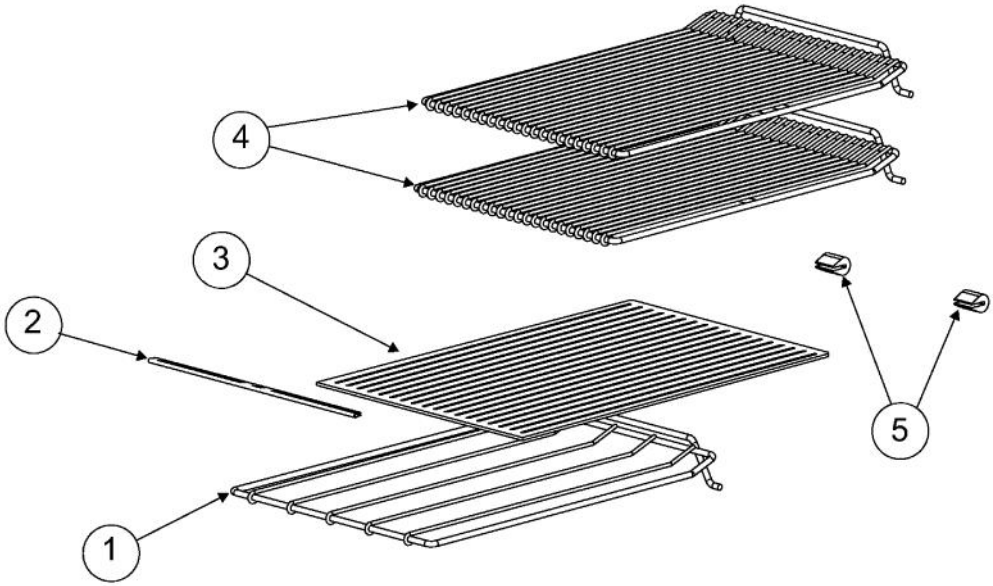
Ref #	Part Number	Qty.	Description
1	009924-000	2	WASHER HD SCREW - ZN
2	007641-000	2	NO.10 EXTERNAL TOOTH LOCKWASHER
3	PS100007	1	AURA LIGHT ASSY (BLACK) 42245124
5	010695-000	1	STANDARD HINGE, RIGHT TOP, CHROME
4	010223-000	6	SCREW, NO.10-32 X .75 COUNTERSUNK, SS
9	010702-000	1	STANDARD HINGE, RIGHT BOTTOM, CHROME
6	PS100019	1	BACK PANEL ASSEMBLY (42245283) 152 WC
7	009924-000	26	WASHER HD SCREW - ZN
8	010021-000	1	BUSHING
10	010027-000	1	TOE GRILLE - BK
11	009489-000	2	NO.12 X 3/4 TYPE AB PHILLIPS SCREW, BLACK
12	010026-000	1	DRAIN TUBE - BK
13	PW210043	1	SERV. ASSY 151 BLK DRIP TRAY 42244610
14	PW200019	2	POP RIVET
15	009492-000	1	EVAPORATOR TRIM - BK
16	009747-000	1	EVAPORATOR FAN
17	010028-000	2	1 SPACER - BK
18	PW200007	2	SCREW, EVAPOR. (VUWC140)X 08204902
19	PW240049	1	151 EVAP ASSY (42244612)
NI	010031-000	4	LEVELING LEG

CONTROL AREA



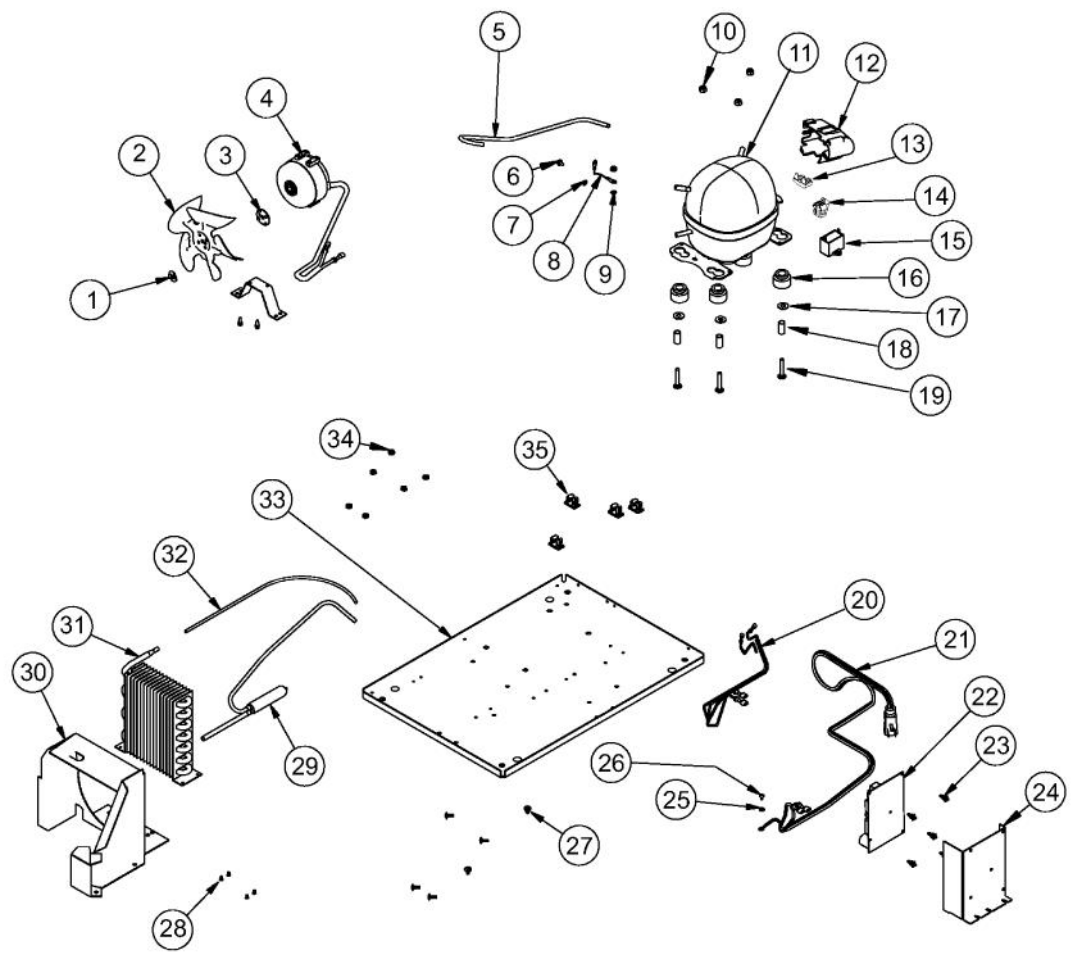
Ref #	Part Number	Qty.	Description
1	028583-000	1	DISPLAY ASM BK, 15 BC GLASS DR.
2	010022-000	1	WIRE CONDUIT
3	009482-000	1	COMMUNICATION CABLE
4	009483-000	1	EVAPORATOR TEMPERATURE THERMISTOR
5	007640-000	2	PLASTIC WIRE CLIP
6	009484-000	1	DISPLAY TEMPERATURE THERMISTOR
7	009924-000	2	WASHER HD SCREW - ZN
8	007641-000	2	NO.10 EXTERNAL TOOTH LOCKWASHER

INTERIOR SHELVING AREA



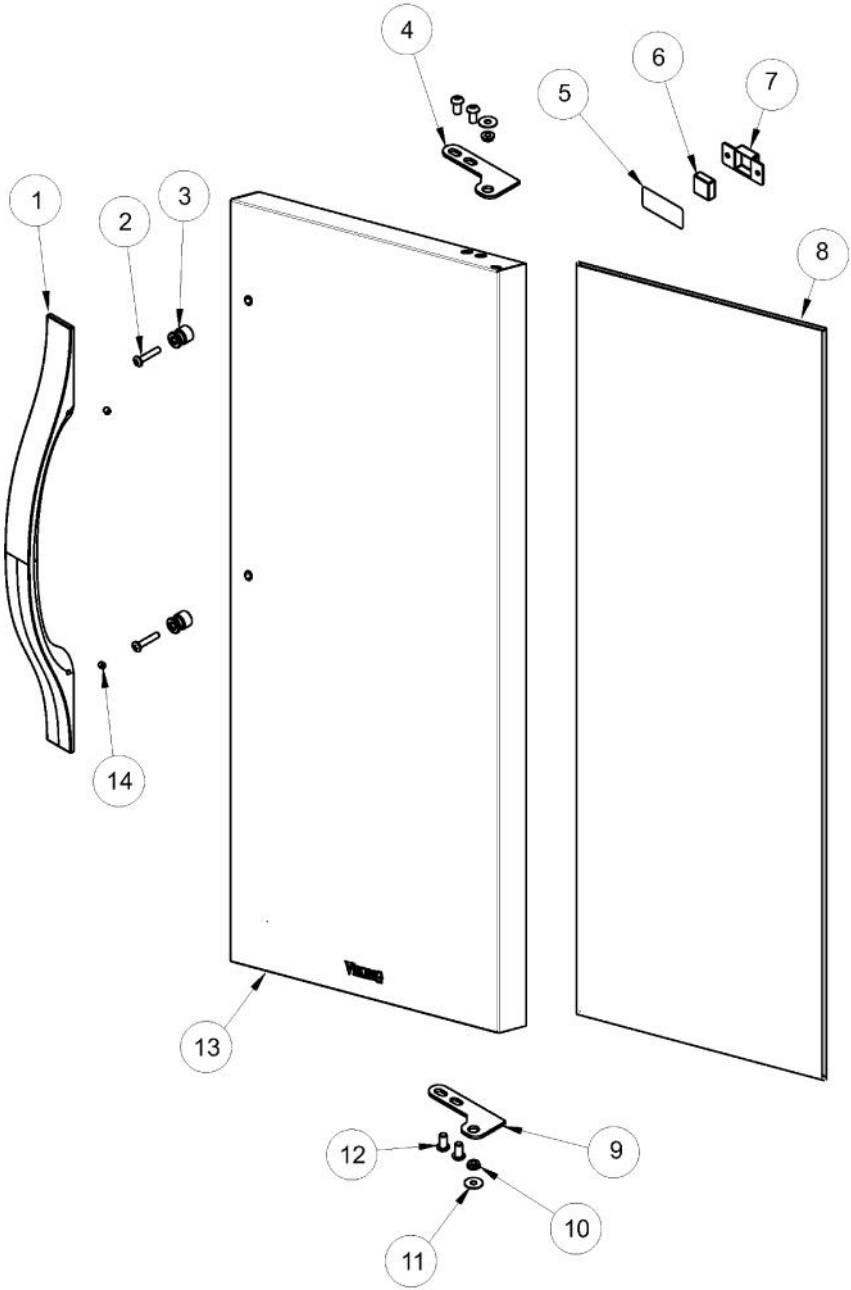
Ref #	Part Number	Qty.	Description
1	010025-000	1	WIRE SHELF
2	010024-000	1	GLASS SHELF TRIM
3	005872-000	1	GLASS SHELF
4	005873-000	2	WIRE SHELF - CHROME
5	009499-000	2	1 BUMPER - BK

LOWER UNIT AREA



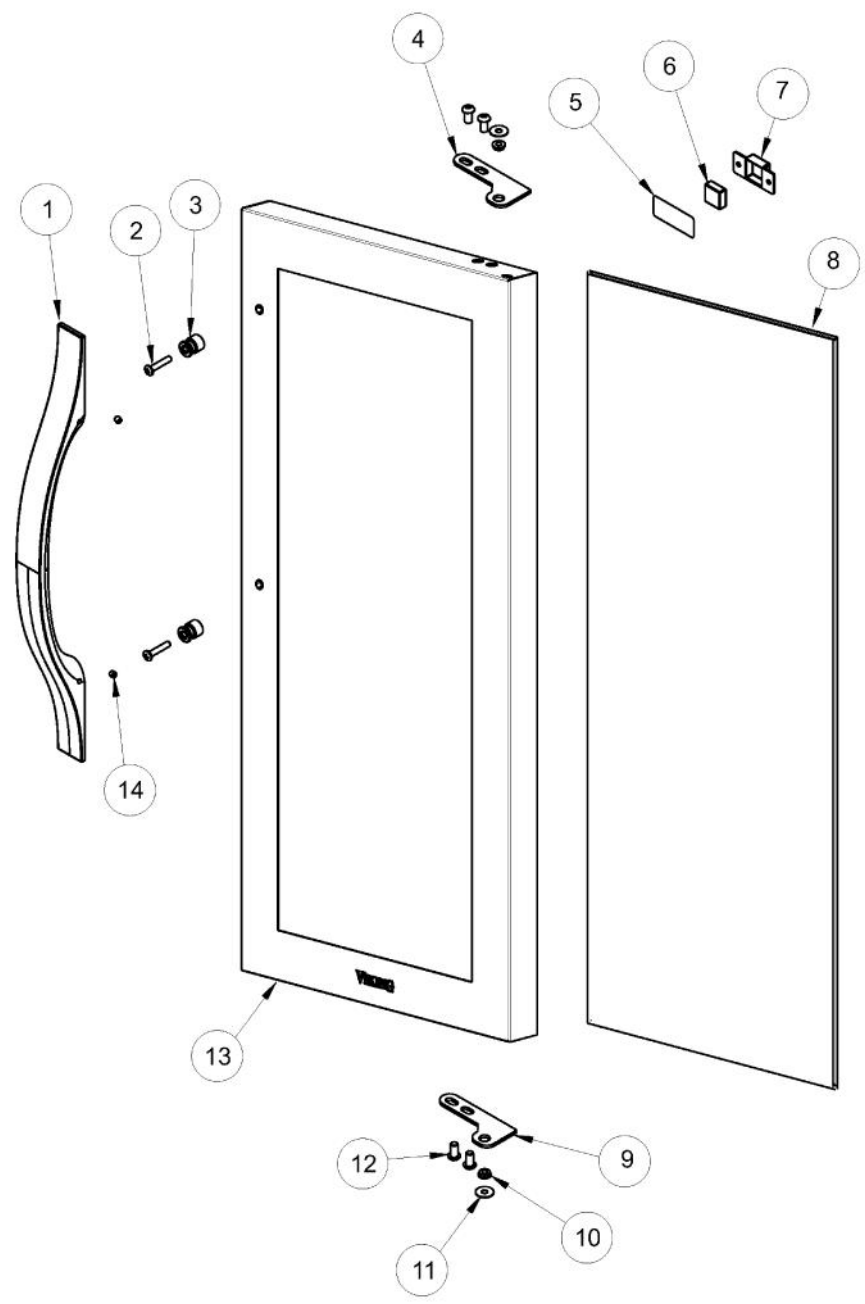
Ref #	Part Number	Qty.	Description
1	PW200020	1	SPEED NUT, FAN MOTOR
2	PW200037	1	FAN BLADE
3	009831-000	1	SILENCER (INCLUDED W/FAN)
4	PW300152	1	FAN MOTOR ASSY (VUIM150) 42244701
5	010035-000	1	PROCESSOR TUBE
6	PW200029	1	SCREW
7	007614-000	1	EVAPORATOR FAN - 42245142
8	PW300137	1	GROUND WIRE (VUIM150)
9	PW300143	1	LOCK WASHER (VUIM150) 42243619
10	PW200017	3	LOCK NUT .25-.20 UNC
11	PW240041	1	COMPRESSOR 15 (42242896)
12	009507-000	1	RELAY COVER
13	PS100020	1	OVERLOAD (42245133) 152 WC
14	PS100021	1	PTC RELAY (42245131) 152 WC
15	PS100023	1	RUN CAPACITOR (42245134) 152 WC
16	010036-000	4	GROMMET (COMES WITH COMPRESSOR)
17	PW200018	3	.312 ID FLAT WASHER
18	010037-000	4	SLEEVE (COMES WITH COMPRESSOR)
19	010040-000	3	1/4-20 X 1 1/2 CARRIAGE BOLT
20	010038-000	1	WIRE HARNESS
21	005835-000	1	POWER CORD - 42242054
22	009511-000	1	ELECTRONIC CONTROL BOARD
23	009513-000	4	STANDOFF
24	009514-000	1	CONTROL BOARD MOUNTING BRACKET
25	007614-000	1	EVAPORATOR FAN - 42245142
26	PW2000017	2	SCREW, .25-20 ZN
27	010062-000	6	CARRIAGE BOLT
28	010039-000	4	RIVET, 1/8 STEEL
30	PW240030	1	DRIER (42242894)
29	009810-000	1	DRYER TUBE
31	PW300145	1	FAN SHROUD (VUIM150) 42242902
32	PW300159	1	CONDENSER ASSY
33	010032-000	1	DISCHARGE TUBE
34	010033-000	1	BASEPLATE
35	010034-000	6	KEP NUT (42247454)
36	007640-000	4	PLASTIC WIRE CLIP

DESIGNER SOLID DOOR



Ref #	Part Number	Qty.	Description
1	010081-000	1	DES DOOR HANDLE - SS
2	PW300163	2	SCREW (VUIM150) 42243357
3	010080-000	2	STAND-OFF STUD - DESIGNER
4	009780-000	1	OUTER CHUTE DOOR SKIN
5	009762-000	1	3M TAPE, 1.75
6	009759-000	1	DOOR SWITCH MAGNET
7	010668-000	1	RETAINER, MAGNET
8	PW230017	1	DOOR GASKET (VUAR/VUWC) 42242914
9	009757-000	1	HINGE ADAPTER, BOTTOM, SS
10	009755-000	2	HINGE BUSHING
11	009761-000	2	WASHER, NYLON
12	010212-000	4	SCREW, 1/4-20 SS
13	010014-000	1	DOOR ASSEMBLY - RH, WH DR, WH GKT
NI	010015-000	1	DOOR ASSEMBLY - LH, WH DR, WH GKT
14	009644-000	2	SET SCREW

DESIGNER GLASS DOOR



Ref #	Part Number	Qty.	Description
1	010081-000	1	DES DOOR HANDLE - SS
2	PW300163	2	SCREW (VUIM150) 42243357
3	010080-000	2	STAND-OFF STUD - DESIGNER
4	009780-000	1	OUTER CHUTE DOOR SKIN
5	009762-000	1	3M TAPE, 1.75
6	010668-000	1	RETAINER, MAGNET
7	009759-000	1	DOOR SWITCH MAGNET
8	PW230017	1	DOOR GASKET (VUAR/VUWC) 42242914
9	009757-000	1	HINGE ADAPTER, BOTTOM, SS
10	009755-000	2	HINGE BUSHING
11	009761-000	2	WASHER, NYLON
12	010212-000	4	SCREW, 1/4-20 SS
13	010010-000	1	DOOR ASSEMBLY - RH CLEAR GLASS
NI	010011-000	1	DOOR ASSEMBLY - LH CLEAR GLASS
NI	010012-000	1	DOOR ASSEMBLY - RH FLUTED GLASS
NI	010013-000	1	DOOR ASSEMBLY - LH FLUTED GLASS
14	009644-000	2	SET SCREW
NI	014539-000	1	FLUTED GALSS, COM. DOOR ASSY, LH
NI	020762-000	1	FLUTED GLASS, COM. DOOR ASSY, RH