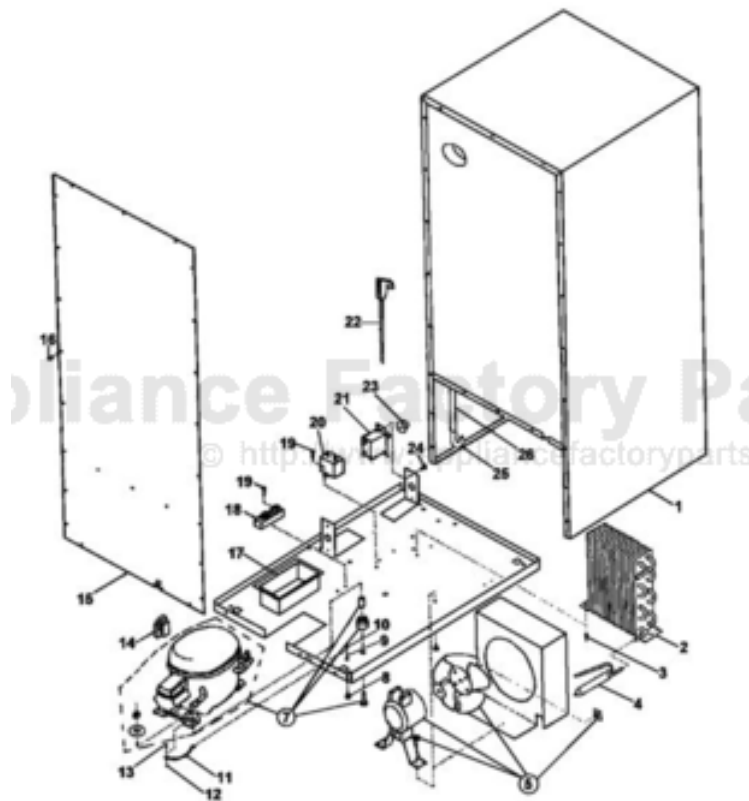


This Owner's Manual is provided and hosted by [Appliance Factory Parts](http://ApplianceFactoryParts.com).



VIKING VUAR150 Owner's Manual

[Shop genuine replacement parts for VIKING VUAR150](#)



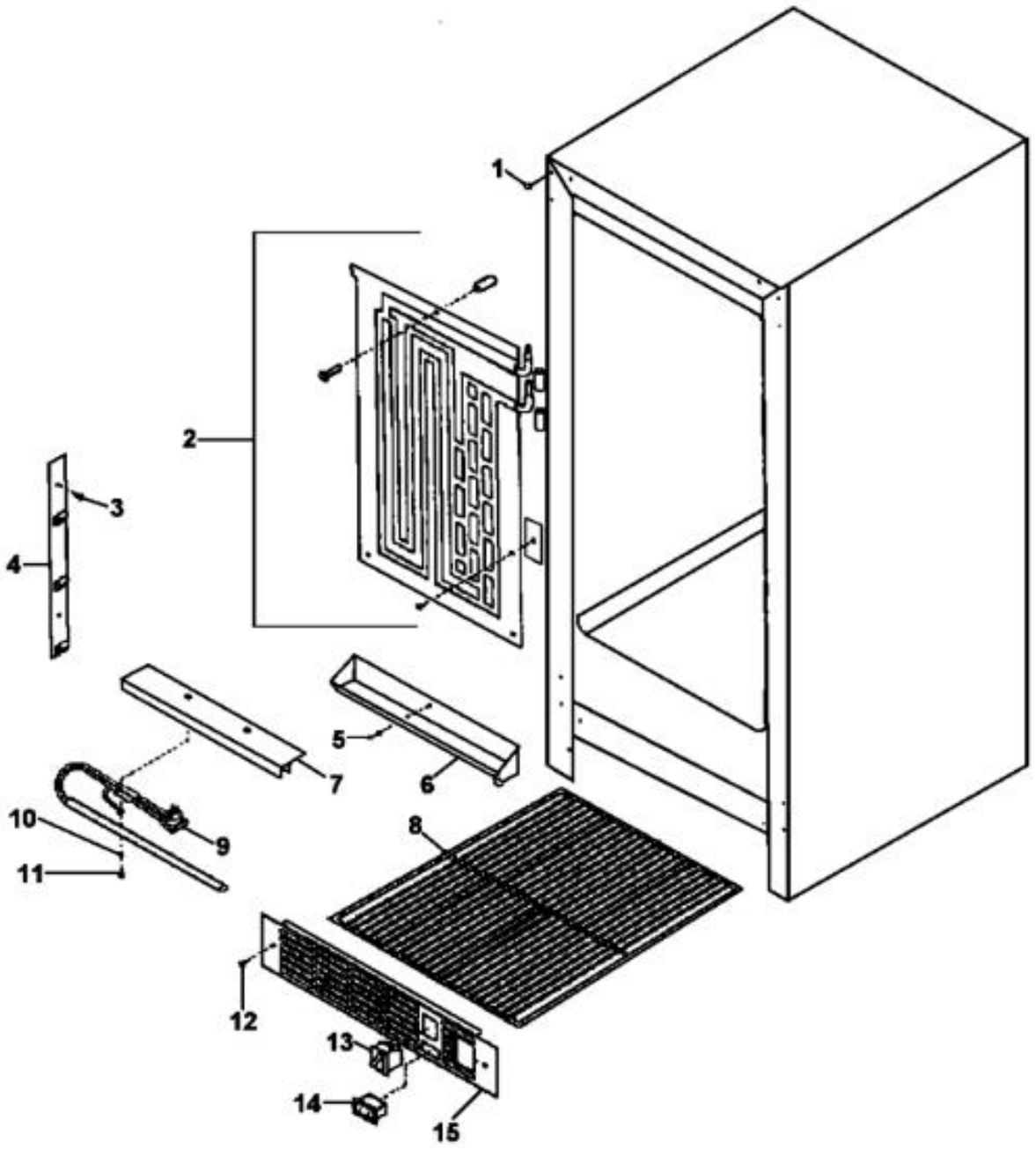
[Find Your VIKING Refrigerator Parts - Select From 341 Models](#)

----- Manual continues below -----

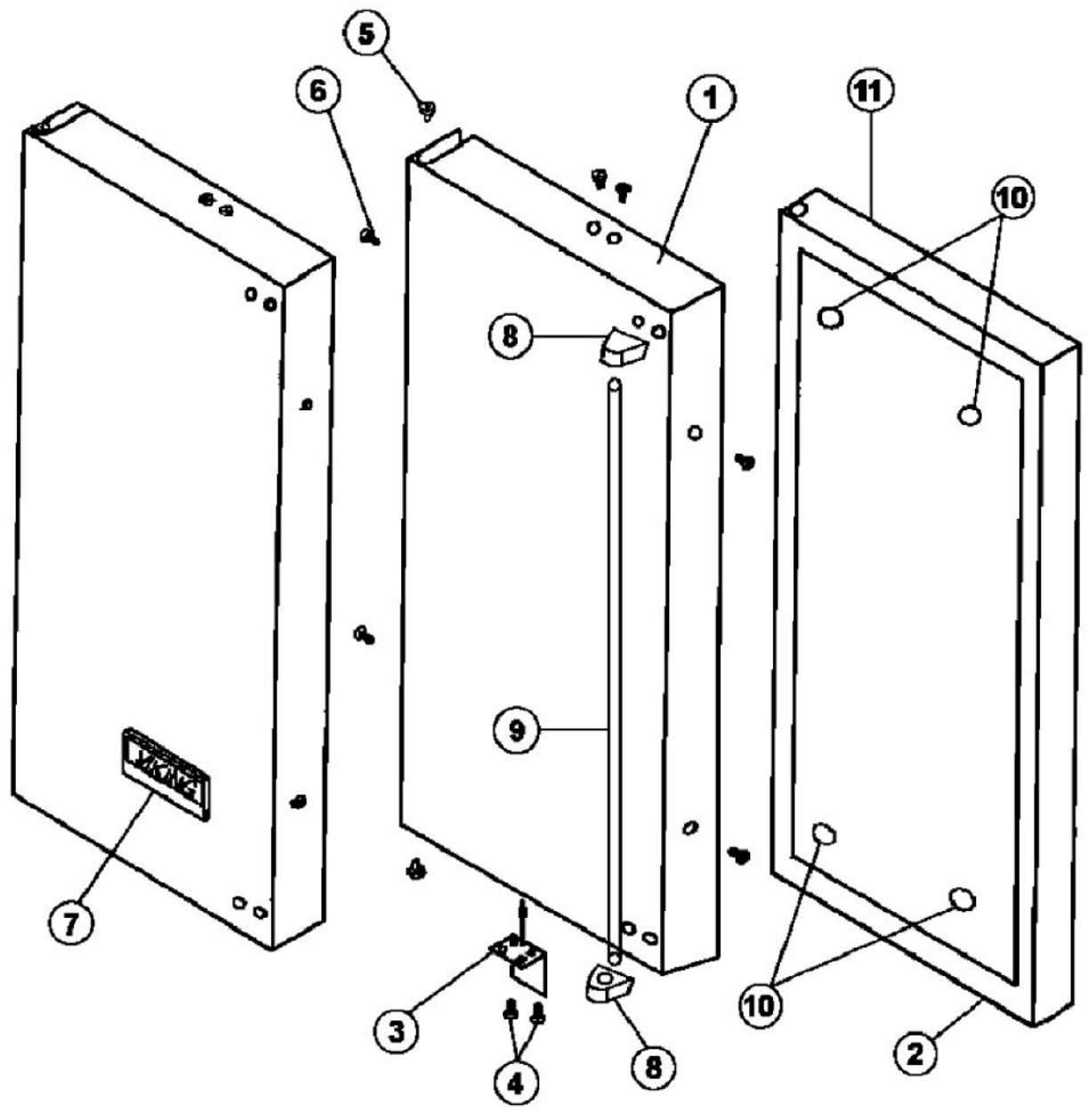
Functional Parts

Ref #	Part Number	Qty.	Description
1	PW240012		RUN CAPACITOR (VUWC140) 42242061
2	PW240041		COMPRESSOR 15 (42242896)
3	PW240029		CONDENSER 42242893
4	PW240036		EVAPORATOR ASSEMBLY 42243577
5	PW300152		FAN MOTOR ASSY (VUIM150) 42244701
6	PW240039		LIGHT SWITCH - BLACK GRILLE
7	PW240016		ON / OFF SWITCH
8	PW240040		ON / OFF SWITCH
9	PW240007		PTC STARTER (VUWC140) 42242427
10	PW240033		SSAC CONTROL (AFTER 8/1/01)
11	PW240008		TERMINAL BLOCK VUWC140 42242407
12	PW240032		THERMOSTAT (BEFORE 8/1/01)

Ref #	Part Number	Qty.	Description
1	NOT REPLACABLE		LABEL
2	PW240029		CONDENSER 42242893
3	PW300141		POP RIVET, SS (VUIM150) 42243617
4	PW240030		DRIER (42242894)
5	PW300152		FAN MOTOR ASSY (VUIM150) 42244701
6	PW210024		FAN SHROUD
7	PW240041		COMPRESSOR 15 (42242896)
8	PW300168		CARRIAGE BOLT (VUIM150) 42243618
9	PW300143		LOCK WASHER (VUIM150) 42243619
10	PW300169		LOCK NUT
11	PW240031		GROUND WIRE COMPRESSOR (42243623)
12	PW200027		NO. 8 STAR WASHER
13	PW200028		HEX HEAD SCREW
14	PW240007		PTC STARTER (VUWC140) 42242427
15	PW210025		BACK PANEL (42242897)
16	PW200004		SCREW LENS COVER 42243354
17	PW210014		DRIP PAN ASSY. (VUWC140)X42242055
18	PW240008		TERMINAL BLOCK VUWC140 42242407
19	PW200029		SCREW
20	PW240012		RUN CAPACITOR (VUWC140) 42242061
21	PW240032		THERMOSTAT (BEFORE 8/1/01)
	PW240033		SSAC CONTROL (AFTER 8/1/01)
22	PW240034		POWER CORD VUWC150 (41006714)
23	PW230004		THERMOSTAT KNOB (VUWC140)X42241950
24	PW200002		SCREW 8204905
25	PW220009		DRAIN TUBE J-TRAP (42242901)
26	PW240035		DRAIN TUBE 41005383

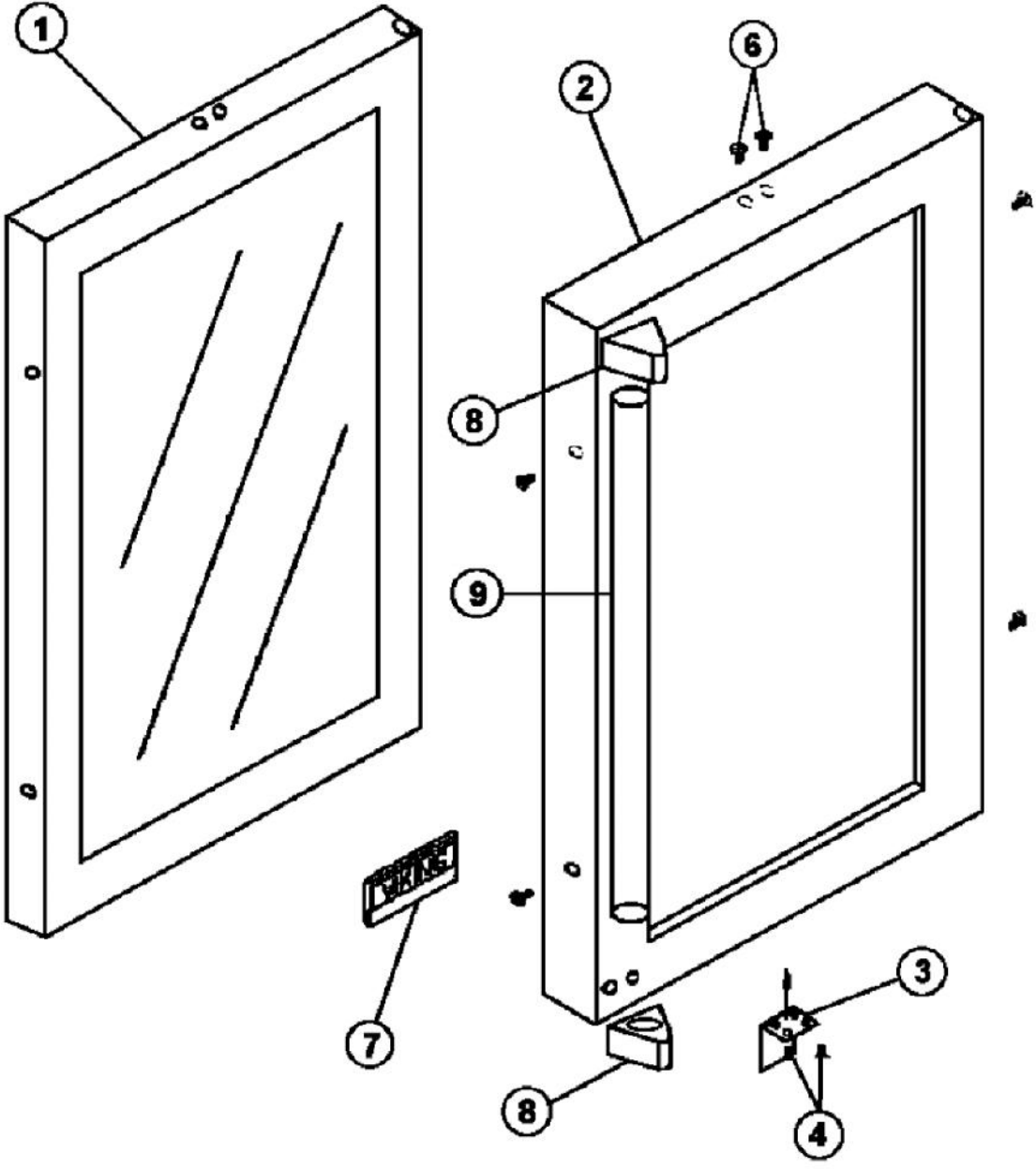


Ref #	Part Number	Qty.	Description
1	PW300138		HOLE PLUG
2	PW240036		EVAPORATOR ASSEMBLY 42243577
3	PW200004		SCREW LENS COVER 42243354
4	PW210026		RACK STRIP
5	PW200042		POP RIVET
6	PW210027		DRIP TRAY (42242903)
7	PW240037		LIGHT EXTRUSION 41005657
8	PW210028		WIRE SHELF 42243598
NI	PW210029		GLASS SHELF 42243597
NI	PW210030		WINE RACK 42243599
9	PW240038		AURA LIGHT ASSY
10	PW200043		LOCK WASHER
11	PW200008		SCREW
12	PW200003		SCREW 42242847 (PKG 20)
	PW300144		SCREW, GRILLE - WH (VUIM) 42243104
13	PW240016		ON / OFF SWITCH
	PW240039		LIGHT SWITCH - BLACK GRILLE
14	PW240040		ON / OFF SWITCH
15	PW210031		GRILLE-BLACK 42242909
	PW210032		GRILLE-WHITE (41005742)
NI	PW300251		LEVELING LEGS

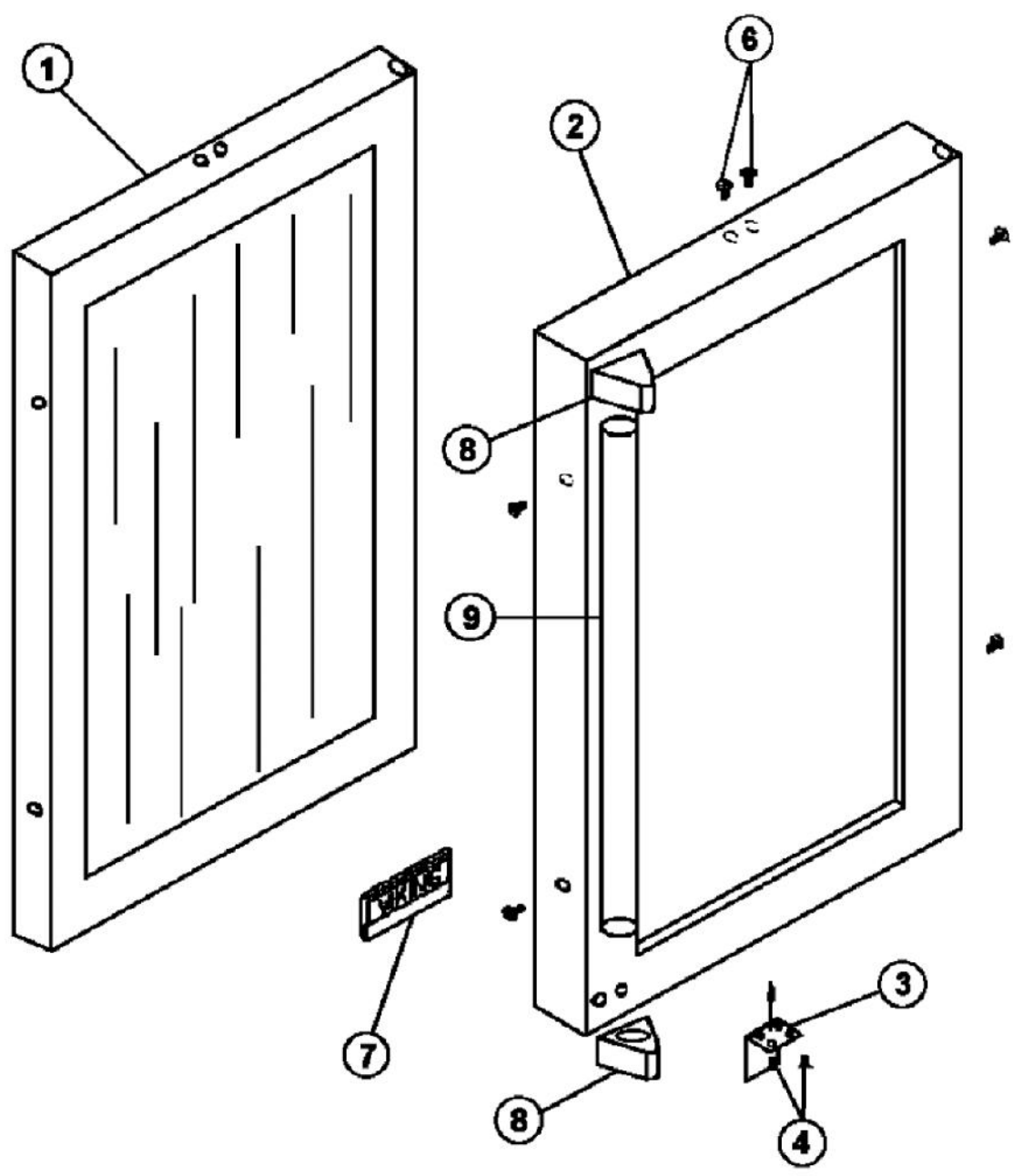


Ref #	Part Number	Qty.	Description
1	B2096968		DOOR SKIN 15`` WINE CLR/REF (BEFORE 2/1/02)
	B2098306		DOOR SKIN, 15 WINE COOLER (AFTER 2/1/02)
	L2096968BK		OUTER DOOR SKIN - BK (LH / RH) (BEFORE 2/1/02)
	L2096968WH		DOOR PANEL (VUWC150/VUAR) (BEFORE 2/1/02)
	L2098306BK		DOOR SKIN, 15 WINE COOLER (AFTER 2/1/02)
	L2098306WH		DOOR SKIN, 15 WINE COOLER (AFTER 2/1/02)
	C9096968AL		DOOR PANEL (VUWC150/VUAR) (BEFORE 2/1/02)
	C9096968BT		DOOR PANEL (VUWC150/VUAR) (BEFORE 2/1/02)
	C9096968BU		DOOR PANEL (VUWC150/VUAR) (BEFORE 2/1/02)
	C9096968CB		DOOR PANEL (VUWC150/VUAR) (BEFORE 2/1/02)
	C9096968EP		DOOR PANEL (VUWC150/VUAR) (BEFORE 2/1/02)
	C9096968FG		DOOR PANEL (VUWC150/VUAR) (BEFORE 2/1/02)
	C9096968GG		DOOR PANEL (VUWC150/VUAR) (BEFORE 2/1/02)
	C9096968LE		DOOR PANEL (VUWC150/VUAR) (BEFORE 2/1/02)
	C9096968MJ		DOOR PANEL (VUWC150/VUAR) (BEFORE 2/1/02)
	C9096968SG		DOOR PANEL (VUWC150/VUAR) (BEFORE 2/1/02)
	C9096968VB		DOOR PANEL (VUWC150/VUAR) (BEFORE 2/1/02)
	C9098306AL		DOOR PANEL (VUWC150/VUAR) (AFTER 2/1/02)
	C9098306BT		DOOR PANEL (VUWC150/VUAR) (AFTER 2/1/02)
	C9098306BU		DOOR PANEL (VUWC150/VUAR) (AFTER 2/1/02)
	C9098306CB		DOOR PANEL (VUWC150/VUAR) (AFTER 2/1/02)
	C9098306EP		DOOR PANEL (VUWC150/VUAR) (AFTER 2/1/02)
	C9098306FG		DOOR PANEL (VUWC150/VUAR) (AFTER 2/1/02)
	C9098306GG		DOOR PANEL (VUWC150/VUAR) (AFTER 2/1/02)
	C9098306LE		DOOR PANEL (VUWC150/VUAR) (AFTER 2/1/02)
	C9098306MJ		DOOR PANEL (VUWC150/VUAR) (AFTER 2/1/02)
	C9098306SG		DOOR PANEL (VUWC150/VUAR) (AFTER 2/1/02)
	C9098306VB		DOOR PANEL (VUWC150/VUAR) (AFTER 2/1/02)
2	PW230017		DOOR GASKET (VUAR/VUWC) 42242914
3	PW220003		STRIKER PLATE (VUWC140)X42242483 (BEFORE 2/1/02)
	PW220014		STRIKER PLATE 41007080

Ref #	Part Number	Qty.	Description
	PW220014		STRIKER PLATE 41007080 (AFTER 2/1/02)
4	PW200033		SCREW, STRIKER PLATE MOUNTING
5	PW220010		HINGE BUSHING (VUAR/VUWC) 42242282
6	PW200047		SCREW
7	PE010101		LOGO-4 1/2 XBKX ADHESIVE
	PE010093		LOGO-4 1/2 (VIKING-XBKXXBRX ADHESIV
	PE010102		LOGO-4 1/2 XWHX ADHESIVE
	PE010094		LOGO-4 1/2 XWHX ADHESIV
8	PE030001		BRACKET, DOOR, HANDLE
	PE030001PVD		END CAP DOOR HANDLE XBR
9	PE930103		DR HDLE VUWC150DR/VUAR SS CUT 29.5
	PE930103PVD		DOOR HANDLE (VUWC150DR/VUAR)XBRX
NI	PW220004		HINGE KIT (VUWC140) X 42240881
NI	PW200032		HINGE PIN 42242281
NI	PW200031		SCREW HINGE MTG 42242605
10	PW300255		RUBBER BUMPERS
11	PW230024		DRSS SOLID DOOR W/FRAME (BEFORE 2/1/02)
	PW230054		COMPLETE DOOR ASSY (SS ONLY) (AFTER 2/1/02)
	PW230023		DRSS SOLID DOOR W/O FRAME



Ref #	Part Number	Qty.	Description
1	PW230020		SS GLASS DOOR WITH FRAME 42243721 - NLA (BEFORE 2/1/02)
	PW230052		CLEAR GLASS DOOR WITH FRAME (AFTER 2/1/02)
	PW230019		SS GLASS DOOR W/O FRAME 42243720
2	PW230018		DOOR HANDLE FRAME 42243595 (BEFORE 2/1/02)
	PW230056		DOOR FRAME (GLASS UNITS) 42244404 (AFTER 2/1/02)
3	PW220003		STRIKER PLATE (VUWC140)X42242483 (BEFORE 2/1/02)
	PW230056		DOOR FRAME (GLASS UNITS) 42244404 (AFTER 2/1/02)
4	PW200033		SCREW, STRIKER PLATE MOUNTING
5	PW220010		HINGE BUSHING (VUAR/VUWC) 42242282
6	PW200047		SCREW
7	PE010101		LOGO-4 1/2 XBKX ADHESIVE
	PE010093		LOGO-4 1/2 (VIKING-XBKXXBRX ADHESIV
	PE010102		LOGO-4 1/2 XWHX ADHESIVE
	PE010094		LOGO-4 1/2 XWHX ADHESIV
8	PE030001		BRACKET, DOOR, HANDLE
	PE030001PVD		END CAP DOOR HANDLE XBR
9	PE930103		DR HDLE VUWC150DR/VUAR SS CUT 29.5
	PE930103PVD		DOOR HANDLE (VUWC150DR/VUAR)XBRX
NI	PW220004		HINGE KIT (VUWC140) X 42240881
NI	PW200032		HINGE PIN 42242281
NI	PW200031		SCREW HINGE MTG 42242605



Ref #	Part Number	Qty.	Description
1	PW230022		FSS FLUTED GLASS DOOR W/FRAME (42243723) (BEFORE 2/1/02)
	PW230053		FLUTED GLASS DOOR W/FRAME (42243602) (AFTER 2/1/02)
	PW230021		FLUTED GLASS DOOR W/O FRAME
2	PW230018		DOOR HANDLE FRAME 42243595 (BEFORE 2/1/02)
	PW230056		DOOR FRAME (GLASS UNITS) 42244404 (AFTER 2/1/02)
3	PW220003		STRIKER PLATE (VUWC140)X42242483 (BEFORE 2/1/02)
	PW230056		DOOR FRAME (GLASS UNITS) 42244404 (AFTER 2/1/02)
4	PW200033		SCREW, STRIKER PLATE MOUNTING
5	PW220010		HINGE BUSHING (VUAR/VUWC) 42242282
6	PW200047		SCREW
7	PE010101		LOGO-4 1/2 XBKX ADHESIVE
	PE010093		LOGO-4 1/2 (VIKING-XBKXXBRX ADHESIV
	PE010102		LOGO-4 1/2 XWHX ADHESIVE
	PE010094		LOGO-4 1/2 XWHX ADHESIV
8	PE030001		BRACKET, DOOR, HANDLE
	PE030001PVD		END CAP DOOR HANDLE XBR
9	PE930103		DR HDLE VUWC150DR/VUAR SS CUT 29.5
	PE930103PVD		DOOR HANDLE (VUWC150DR/VUAR)XBRX
NI	PW220004		HINGE KIT (VUWC140) X 42240881
NI	PW200032		HINGE PIN 42242281
NI	PW200031		SCREW HINGE MTG 42242605