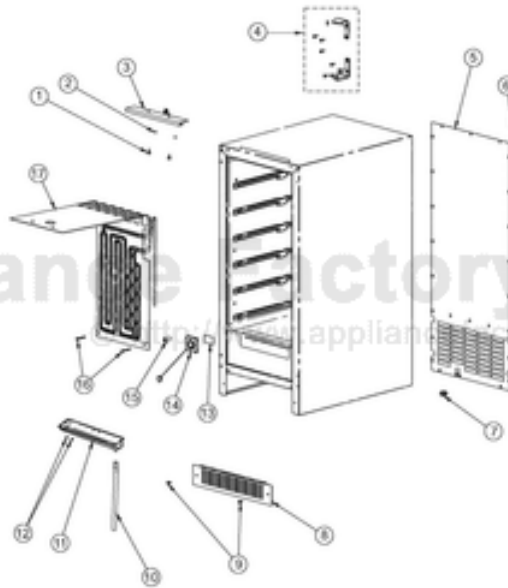


This Owner's Manual is provided and hosted by [Appliance Factory Parts](#).



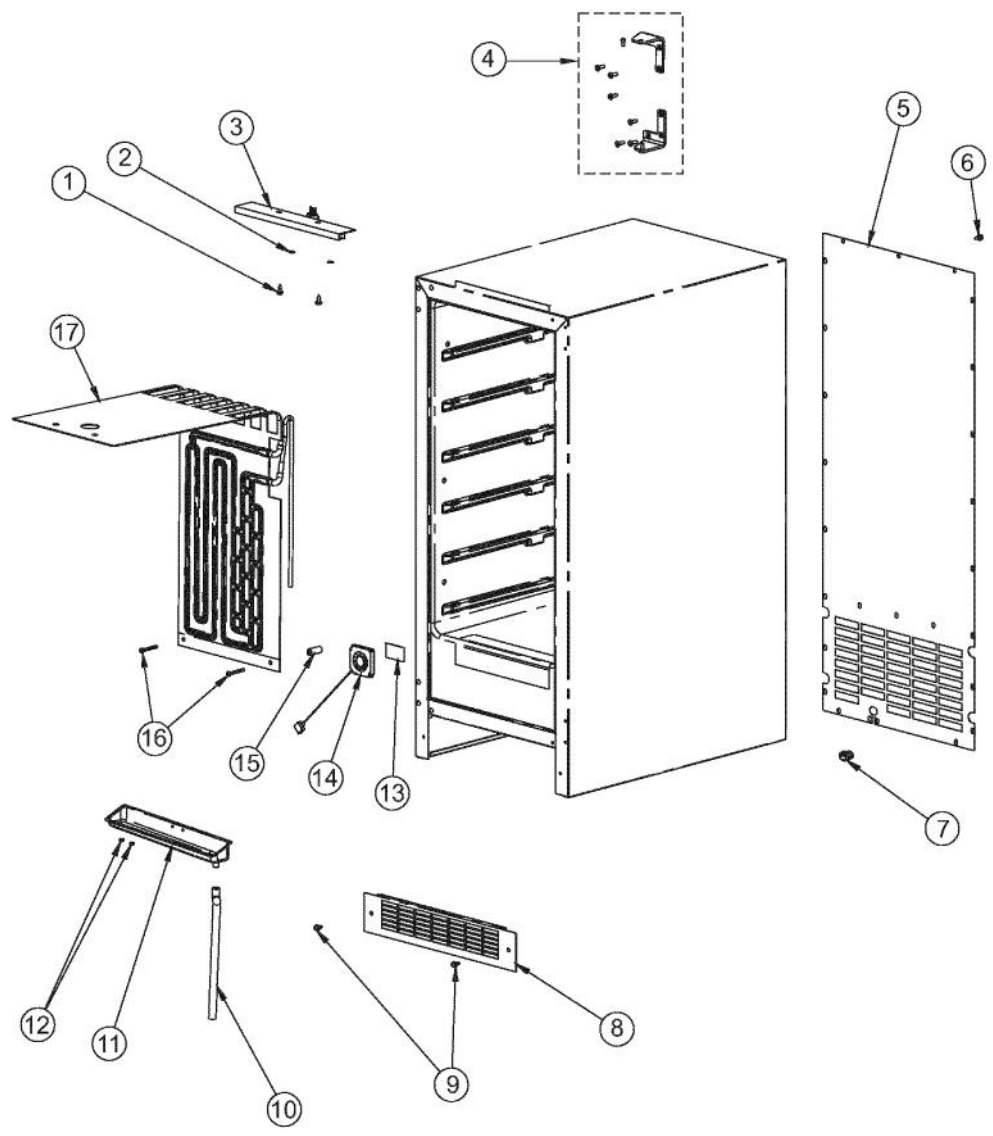
# VIKING VUAR153 Owner's Manual

[Shop genuine replacement parts for VIKING VUAR153](#)

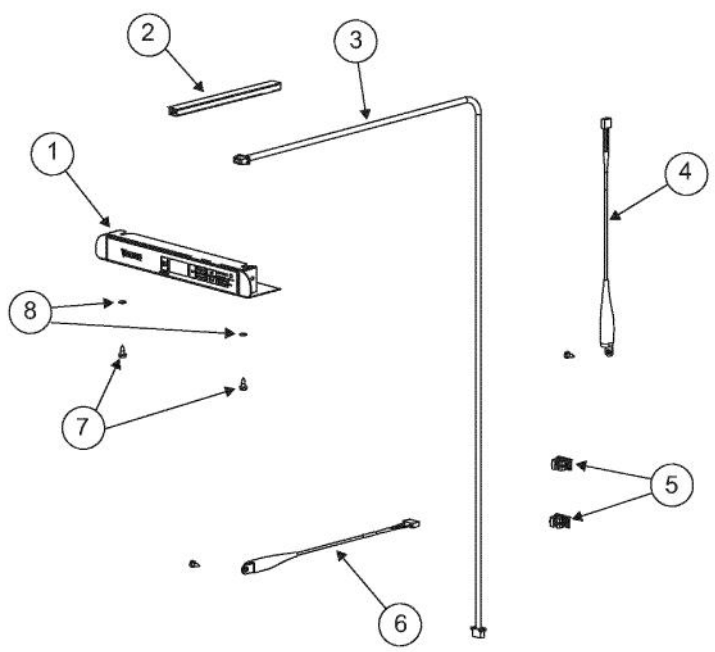


[Find Your VIKING Refrigerator Parts - Select From 341 Models](#)

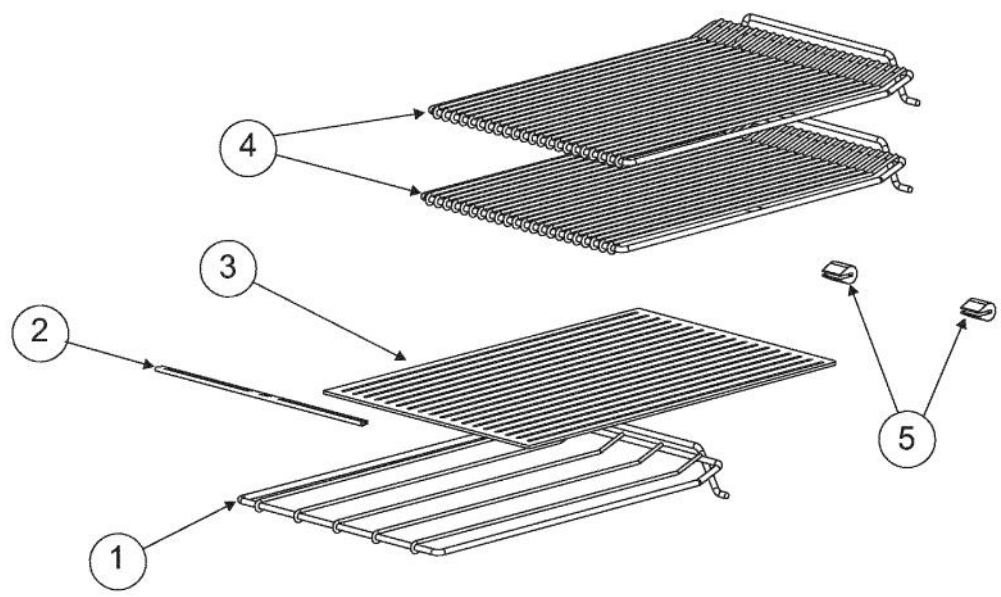
----- Manual continues below -----



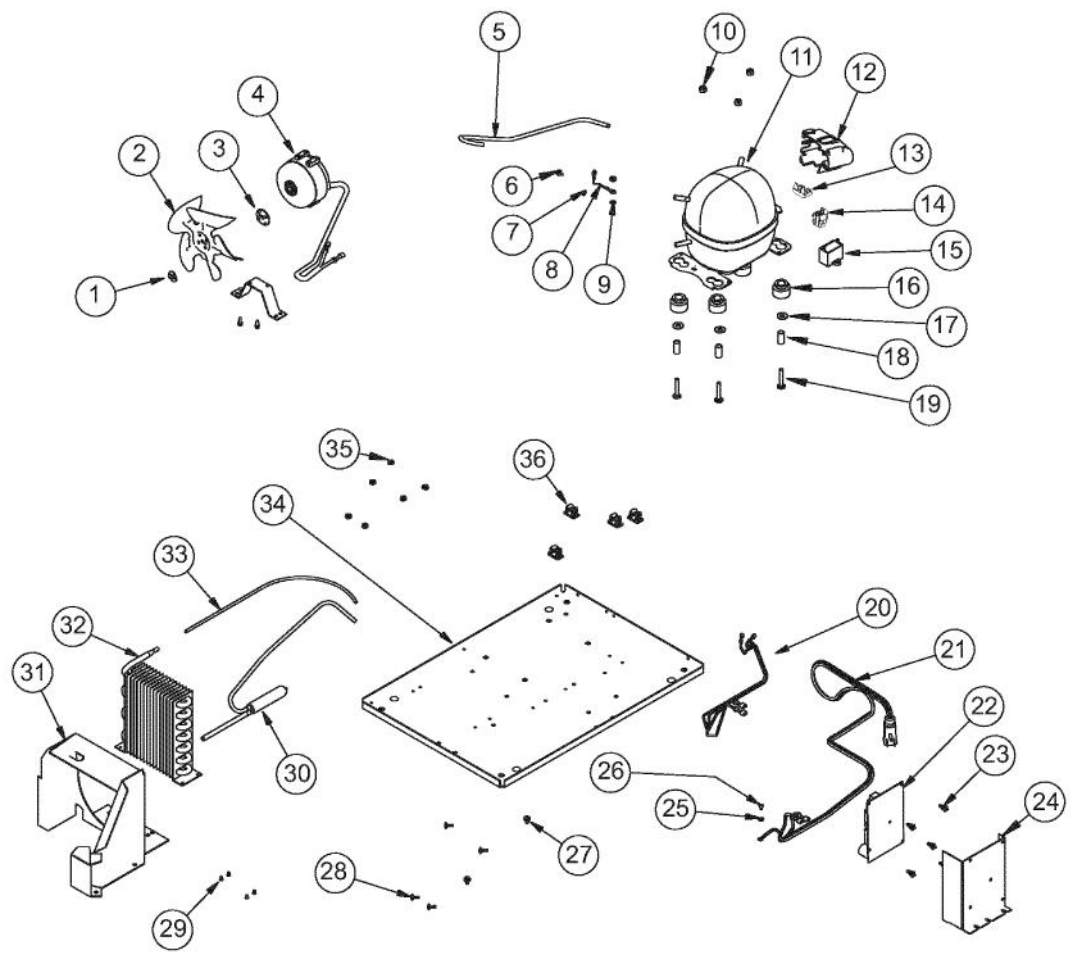
| Ref # | Part Number | Qty. | Description                               |
|-------|-------------|------|---|
| 1     | 009924-000  | 2    | WASHER HD SCREW - ZN                      |
| 2     | 007641-000  | 2    | NO.10 EXTERNAL TOOTH LOCKWASHER           |
| 3     | PS100007    | 1    | AURA LIGHT ASSY (BLACK) 42245124          |
| 4     | 009517-000  | 1    | STANDARD HINGE, RIGHT TOP, CHROME         |
| 5     | PS100019    | 1    | BACK PANEL ASSEMBLY (42245283) 152 WC     |
| 6     | 009924-000  | 26   | WASHER HD SCREW - ZN                      |
| 7     | 010021-000  | 1    | BUSHING                                   |
| 8     | 010027-000  | 1    | TOE GRILLE - BK                           |
| 9     | 009489-000  | 2    | NO.12 X 3/4 TYPE AB PHILLIPS SCREW, BLACK |
| 10    | PW240035    | 1    | DRAIN TUBE 41005383                       |
| 11    | PW210027    | 1    | DRIP TRAY (42242903)                      |
| 12    | PW200019    | 2    | POP RIVET                                 |
| 13    | 009492-000  | 1    | EVAPORATOR TRIM - BK                      |
| 14    | 009747-000  | 1    | EVAPORATOR FAN                            |
| 15    | 010029-000  | 2    | 1 SPACER - WH                             |
| 16    | PW200007    | 2    | SCREW, EVAPOR. (VUWC140)X 08204902        |
| 17    | 010030-000  | 1    | EVAPORATOR ASSEMBLY - WH                  |



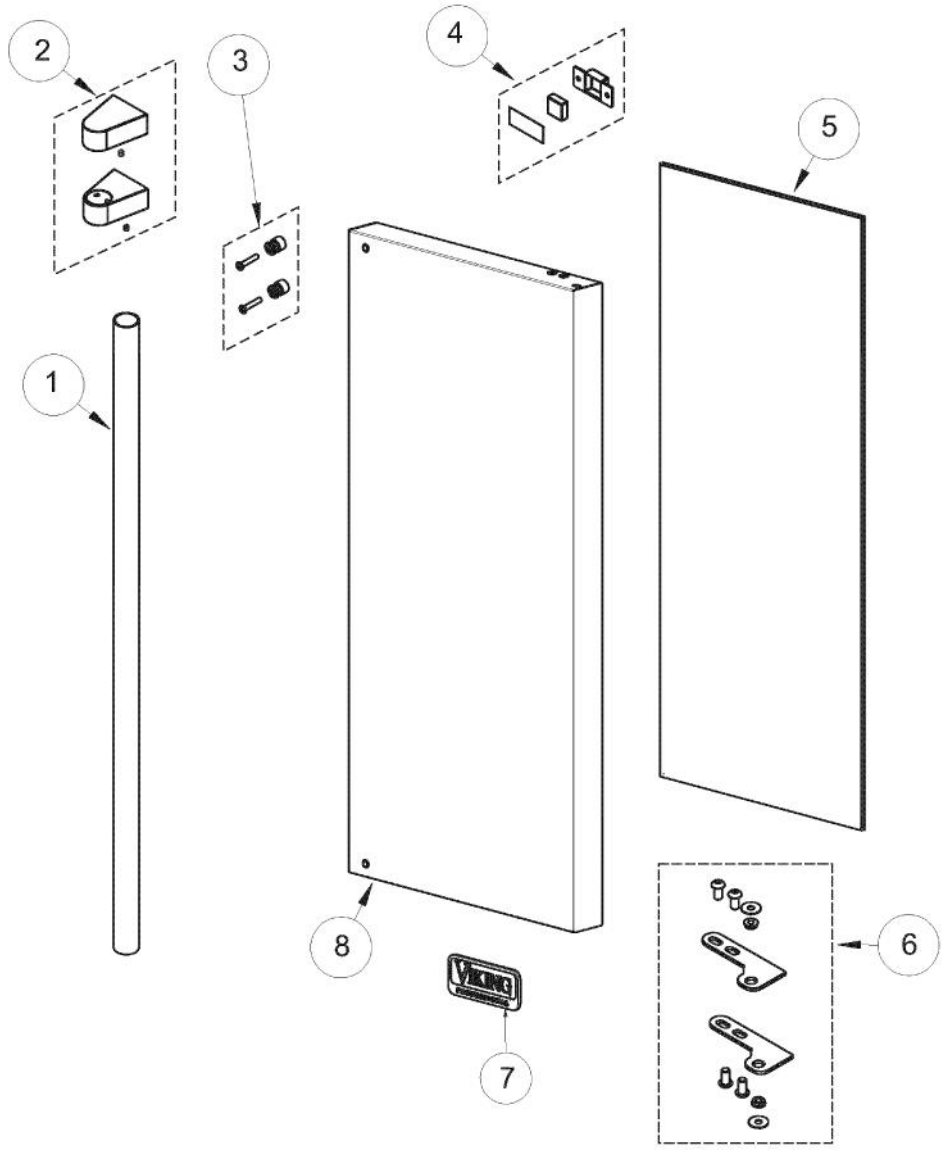
| Ref # | Part Number | Qty. | Description                       |
|-------|-------------|------|-----------------------------------|
| 1     | 028584-000  | 1    | DISPLAY ASM WH, 15 BC SOLID DR.   |
| 2     | 010022-000  | 1    | WIRE CONDUIT                      |
| 3     | 009482-000  | 1    | COMMUNICATION CABLE               |
| 4     | 009483-000  | 1    | EVAPORATOR TEMPERATURE THERMISTOR |
| 5     | 007640-000  | 2    | PLASTIC WIRE CLIP                 |
| 6     | 009484-000  | 1    | DISPLAY TEMPERATURE THERMISTOR    |
| 7     | 007641-000  | 2    | NO.10 EXTERNAL TOOTH LOCKWASHER   |
| 8     | 009924-000  | 2    | WASHER HD SCREW - ZN              |



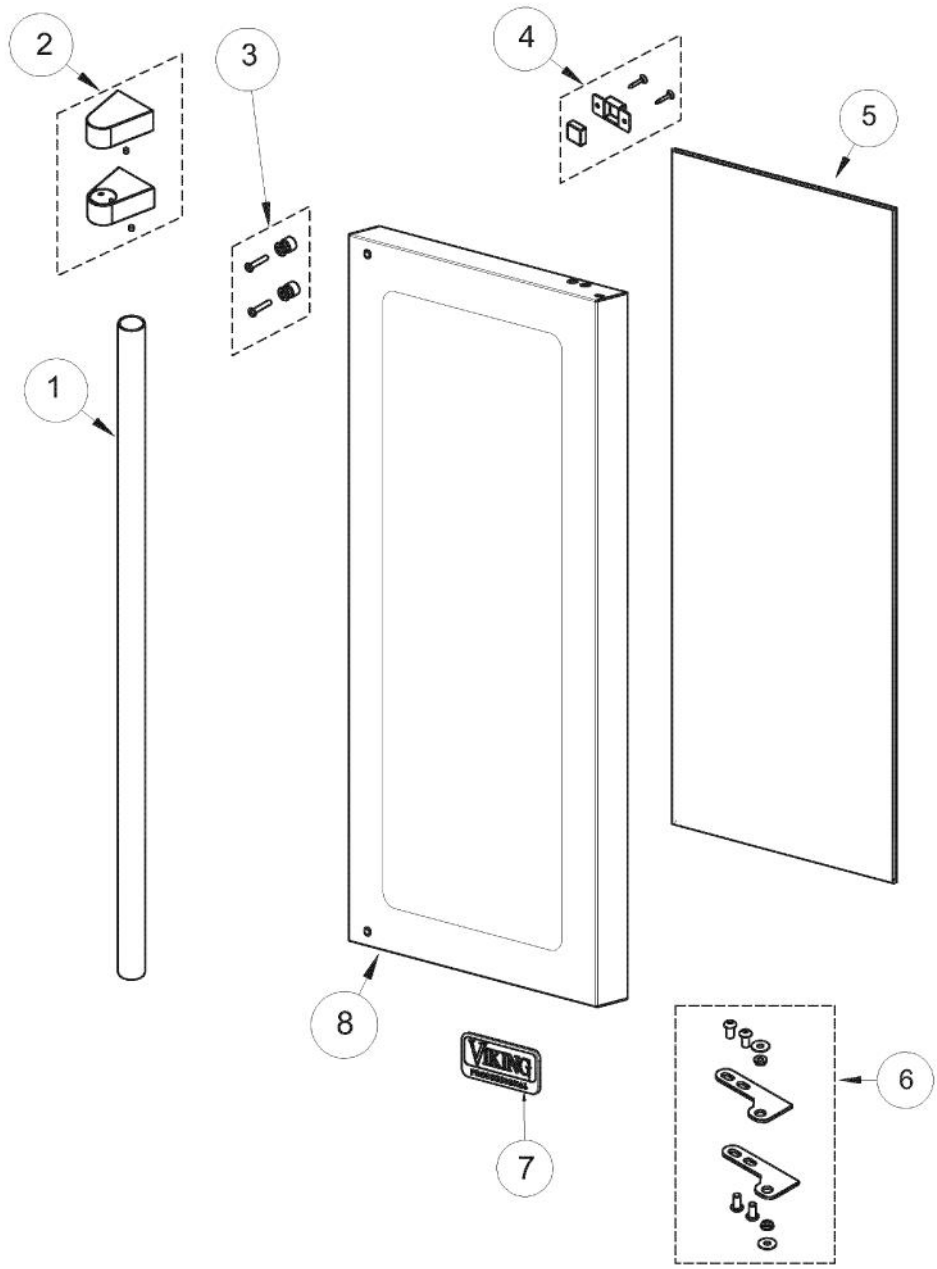
| Ref # | Part Number | Qty. | Description         |
|-------|-------------|------|---------------------|
| 1     | 010025-000  | 1    | WIRE SHELF          |
| 2     | 010024-000  | 1    | GLASS SHELF TRIM    |
| 3     | 005872-000  | 1    | GLASS SHELF         |
| 4     | 005873-000  | 2    | WIRE SHELF - CHROME |
| 5     | 009500-000  | 2    | 1 BUMPER - WH       |



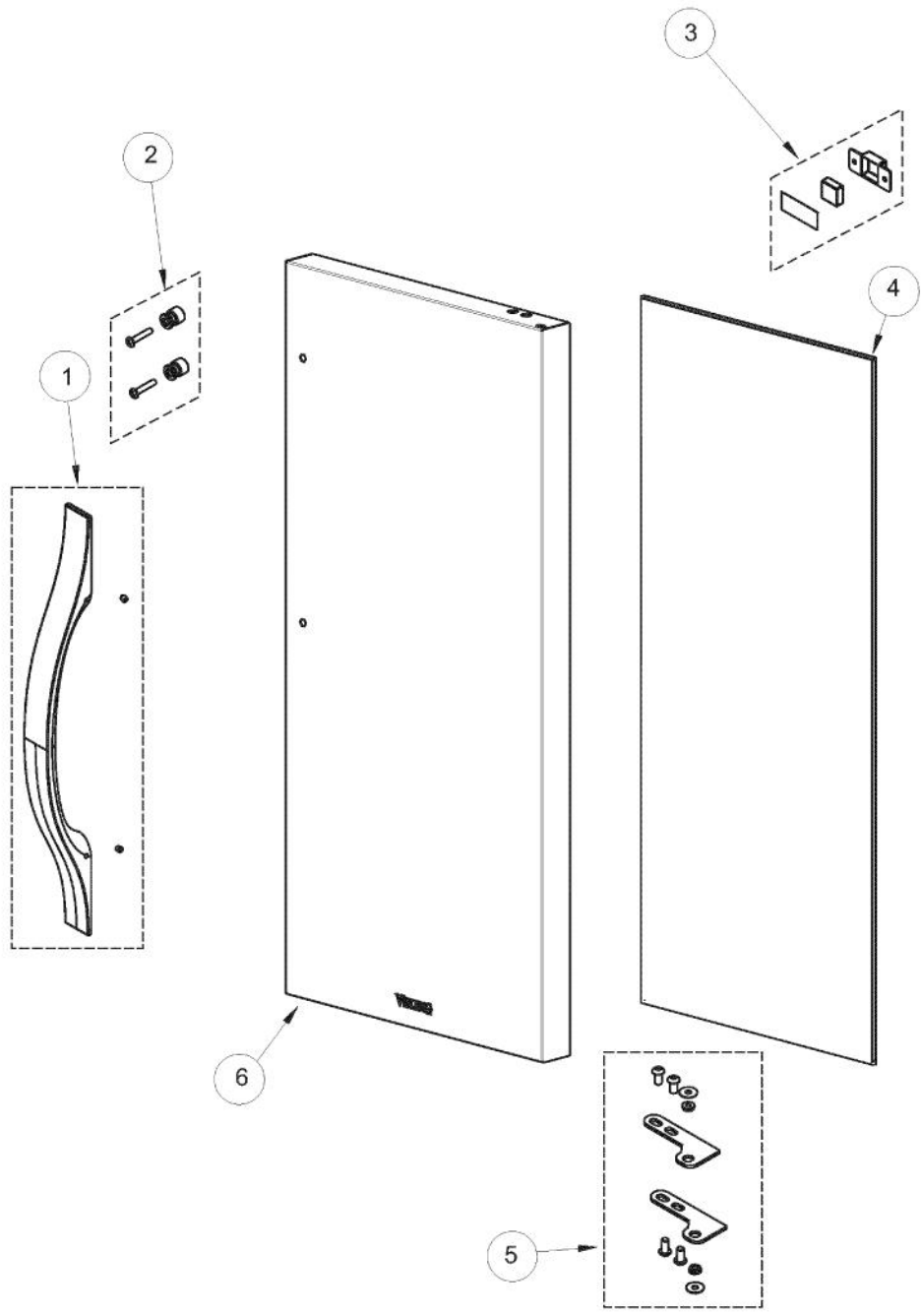
| Ref # | Part Number | Qty. | Description                       |
|-------|-------------|------|-----------------------------------|
| 1     | PW200020    | 1    | SPEED NUT, FAN MOTOR              |
| 2     | PW200037    | 1    | FAN BLADE                         |
| 3     | 009831-000  | 1    | SILENCER (INCLUDED W/FAN)         |
| 4     | PW300152    | 1    | FAN MOTOR ASSY (VUIM150) 42244701 |
| 5     | 010035-000  | 1    | PROCESSOR TUBE                    |
| 6     | PW200029    | 1    | SCREW                             |
| 7     | 007614-000  | 1    | EVAPORATOR FAN - 42245142         |
| 8     | PW300137    | 1    | GROUND WIRE (VUIM150)             |
| 9     | PW300143    | 1    | LOCK WASHER (VUIM150) 42243619    |
| 10    | PW200017    | 3    | LOCK NUT .25-.20 UNC              |
| 11    | PW240041    | 1    | COMPRESSOR 15 (42242896)          |
| 12    | 009507-000  | 1    | RELAY COVER                       |
| 13    | PS100020    | 1    | OVERLOAD (42245133) 152 WC        |
| 14    | PS100021    | 1    | PTC RELAY (42245131) 152 WC       |
| 15    | PS100023    | 1    | RUN CAPACITOR (42245134) 152 WC   |
| 16    | 010036-000  | 4    | GROMMET (COMES WITH COMPRESSOR)   |
| 17    | PW200018    | 3    | .312 ID FLAT WASHER               |
| 18    | 010037-000  | 4    | SLEEVE (COMES WITH COMPRESSOR)    |
| 19    | 010040-000  | 3    | 1/4-20 X 1 1/2 CARRIAGE BOLT      |
| 20    | 010038-000  | 1    | WIRE HARNESS                      |
| 21    | 005835-000  | 1    | POWER CORD - 42242054             |
| 22    | 009511-000  | 1    | ELECTRONIC CONTROL BOARD          |
| 23    | 009513-000  | 4    | STANDOFF                          |
| 24    | 009514-000  | 1    | CONTROL BOARD MOUNTING BRACKET    |
| 25    | 007614-000  | 1    | EVAPORATOR FAN - 42245142         |
| 26    | PW2000017   | 2    | SCREW, .25-20 ZN                  |
| 27    | 010062-000  | 6    | CARRIAGE BOLT                     |
| 28    | 010039-000  | 4    | RIVET, 1/8 STEEL                  |
| 29    | PW240030    | 1    | DRIER (42242894)                  |
| 30    | PW300145    | 1    | FAN SHROUD (VUIM150) 42242902     |
| 31    | PW300159    | 1    | CONDENSER ASSY                    |
| 32    | 010032-000  | 1    | DISCHARGE TUBE                    |
| 33    | 010033-000  | 1    | BASEPLATE                         |
| 34    | 010034-000  | 6    | KEP NUT (42247454)                |
| 35    | 007640-000  | 4    | PLASTIC WIRE CLIP                 |



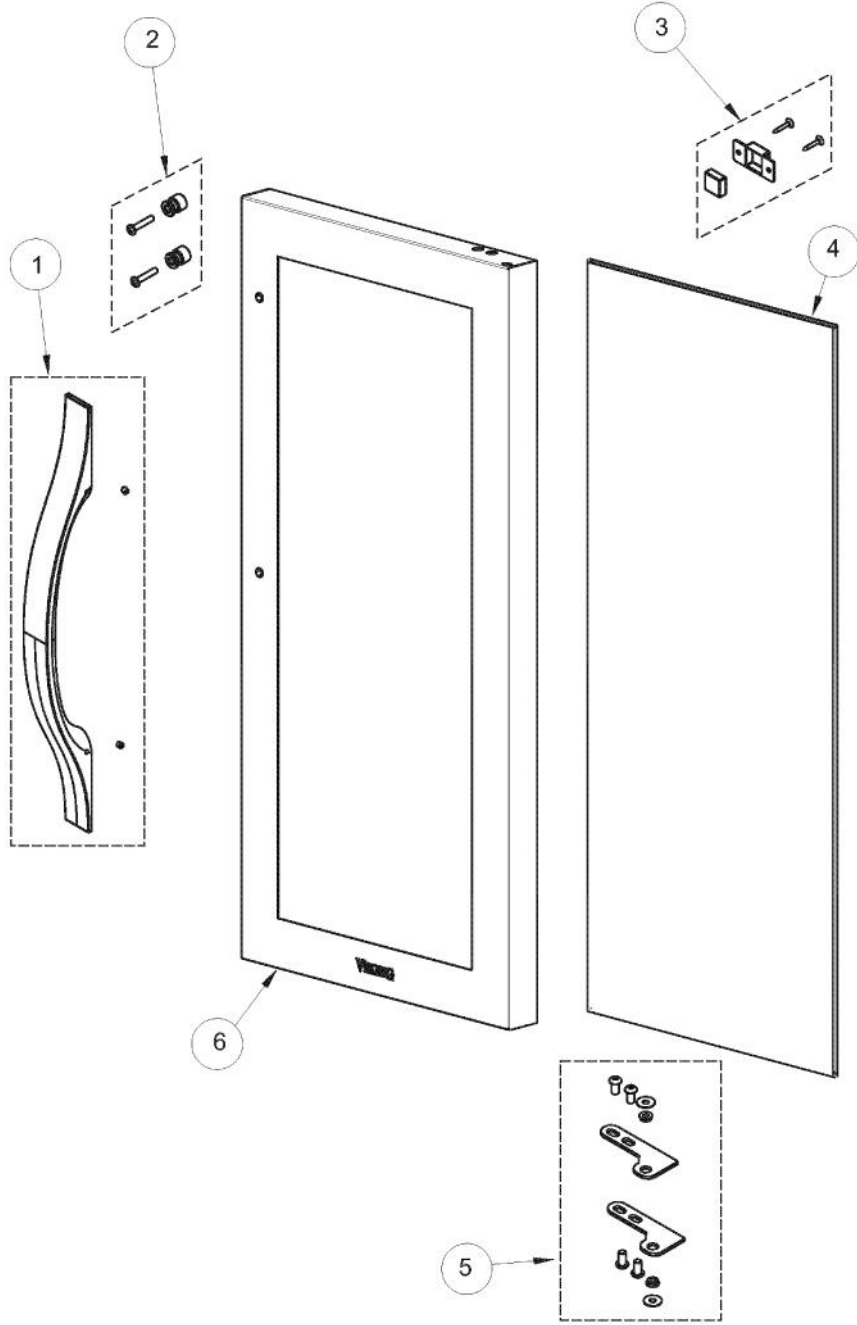
| Ref # | Part Number | Qty. | Description                             |
|-------|-------------|------|---|
| 1     | 009519-000  | 1    | HANDLE TUBE, SS                         |
| 2     | 009520-000  | 1    | END CAP ASSEMBLY W/SET SCREW - 42247009 |
| 3     | 009521-000  | 1    | STANDOFF STUD                           |
| 4     | 009522-000  | 1    | MAGNET SWITCH RETAINER                  |
| 5     | PW230017    | 1    | DOOR GASKET (VUAR/VUWC) 42242914        |
| 6     | 009525-000  | 1    | DOOR HINGE ASSEMBLY - 42247016          |
| 7     | PW230007    | 1    | NAMEPLATE, PRO                          |
| 8     | 010019-000  | 1    | RH DOOR ASSEMBLY                        |
|       | 010020-000  | 1    | LH DOOR ASSEMBLY                        |



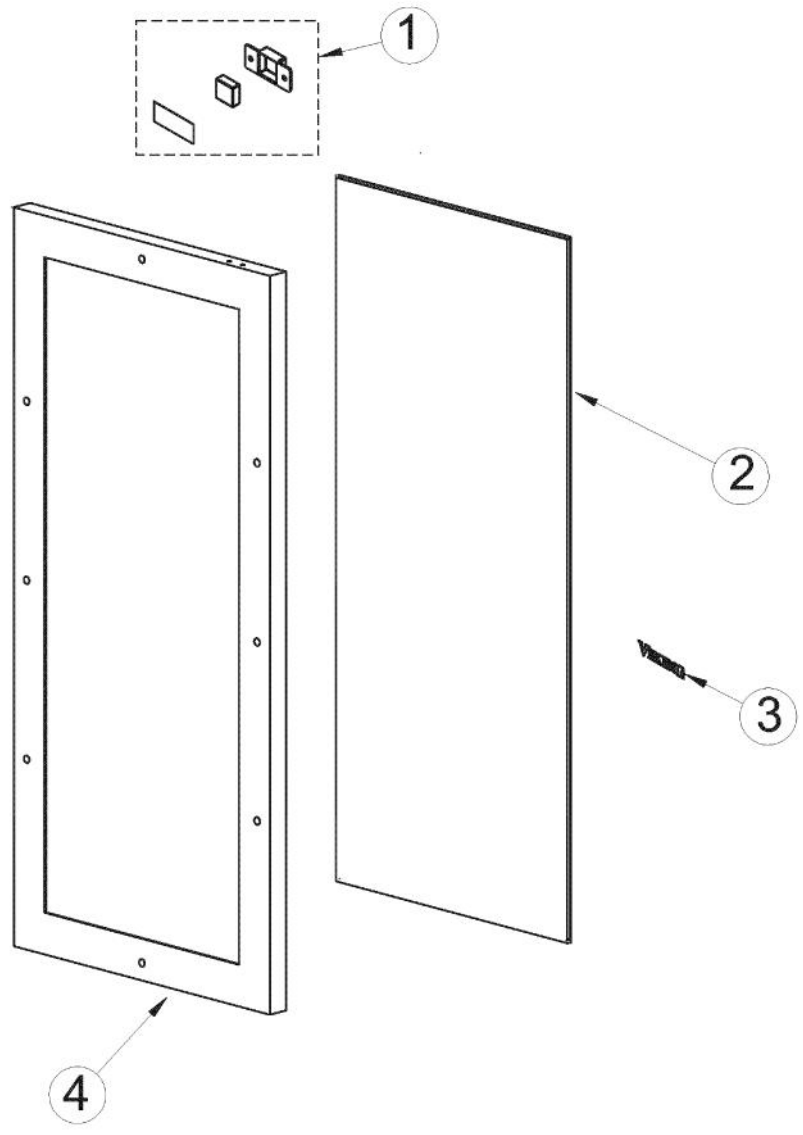
| Ref # | Part Number | Qty. | Description                             |
|-------|-------------|------|---|
| 1     | 009519-000  | 1    | HANDLE TUBE, SS                         |
| 2     | 009520-000  | 1    | END CAP ASSEMBLY W/SET SCREW - 42247009 |
| 3     | 009521-000  | 1    | STANDOFF STUD                           |
| 4     | 009522-000  | 1    | MAGNET SWITCH RETAINER                  |
| 5     | PW230125    | 1    | GASKET (41006834)                       |
| 6     | 009525-000  | 1    | DOOR HINGE ASSEMBLY - 42247016          |
| 7     | PW230007    | 1    | NAMEPLATE, PRO                          |
| 8     | 010016-000  | 1    | DOOR ASSEMBLY - RH CLEAR GLASS          |
|       | 010017-000  | 1    | DOOR ASSEMBLY - LH CLEAR GLASS          |
|       | 010018-000  | 1    | DOOR ASSEMBLY - RH FLUTED GLASS         |
|       | 010754-000  | 1    | DOOR ASSEMBLY - LH FLUTED GLASS         |



| Ref # | Part Number | Qty. | Description                      |
|-------|-------------|------|----------------------------------|
| 1     | 009866-000  | 1    | DESIGNER HANDLE ASSEMBLY         |
| 2     | 009865-000  | 1    | DESIGNER STANDOFF ASSEMBLY       |
| 3     | 009522-000  | 1    | MAGNET SWITCH RETAINER           |
| 4     | PW230017    | 1    | DOOR GASKET (VUAR/VUWC) 42242914 |
| 5     | 009525-000  | 1    | DOOR HINGE ASSEMBLY - 42247016   |
| 6     | 010049-000  | 1    | DOOR ASSEMBLY - RT               |
|       | 010050-000  | 1    | DOOR ASSEMBLY - LT               |



| Ref # | Part Number | Qty. | Description                     |
|-------|-------------|------|---------------------------------|
| 1     | 009866-000  | 1    | DESIGNER HANDLE ASSEMBLY        |
| 2     | 009865-000  | 1    | DESIGNER STANDOFF ASSEMBLY      |
| 3     | 009522-000  | 1    | MAGNET SWITCH RETAINER          |
| 4     | PW230125    | 1    | GASKET (41006834)               |
| 5     | 009525-000  | 1    | DOOR HINGE ASSEMBLY - 42247016  |
| 6     | 010010-000  | 1    | DOOR ASSEMBLY - RH CLEAR GLASS  |
|       | 010011-000  | 1    | DOOR ASSEMBLY - LH CLEAR GLASS  |
|       | 010012-000  | 1    | DOOR ASSEMBLY - RH FLUTED GLASS |
|       | 010013-000  | 1    | DOOR ASSEMBLY - LH FLUTED GLASS |



| Ref # | Part Number | Qty. | Description                     |
|-------|-------------|------|---------------------------------|
| 1     | 009522-000  | 1    | MAGNET SWITCH RETAINER          |
| 2     | PW230125    | 1    | GASKET (41006834)               |
| 3     | 010009-000  | 1    | DOOR LOGO                       |
| 4     | 009525-000  | 1    | DOOR HINGE ASSEMBLY - 42247016  |
| 5     | 010005-000  | 1    | DOOR ASSEMBLY - RH CLEAR GLASS  |
|       | 010006-000  | 1    | DOOR ASSEMBLY - LH CLEAR GLASS  |
|       | 010007-000  | 1    | DOOR ASSEMBLY - RH FLUTED GLASS |
|       | 010008-000  | 1    | DOOR ASSEMBLY - LH FLUTED GLASS |