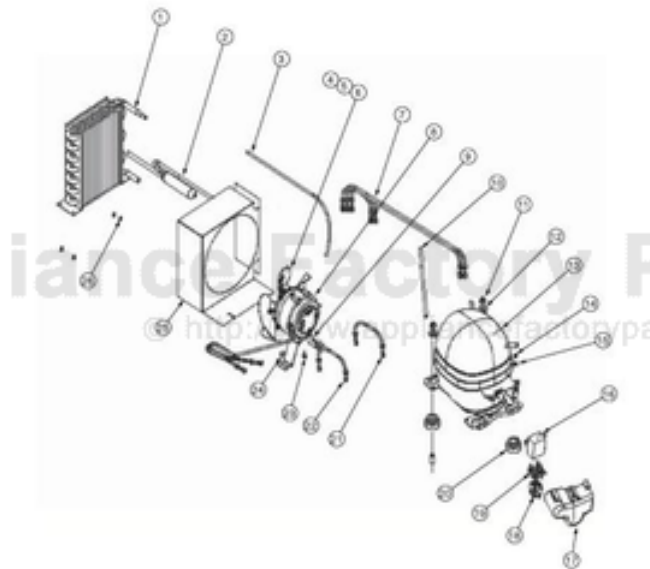


This Owner's Manual is provided and hosted by [Appliance Factory Parts](http://www.appliancefactoryparts.com).



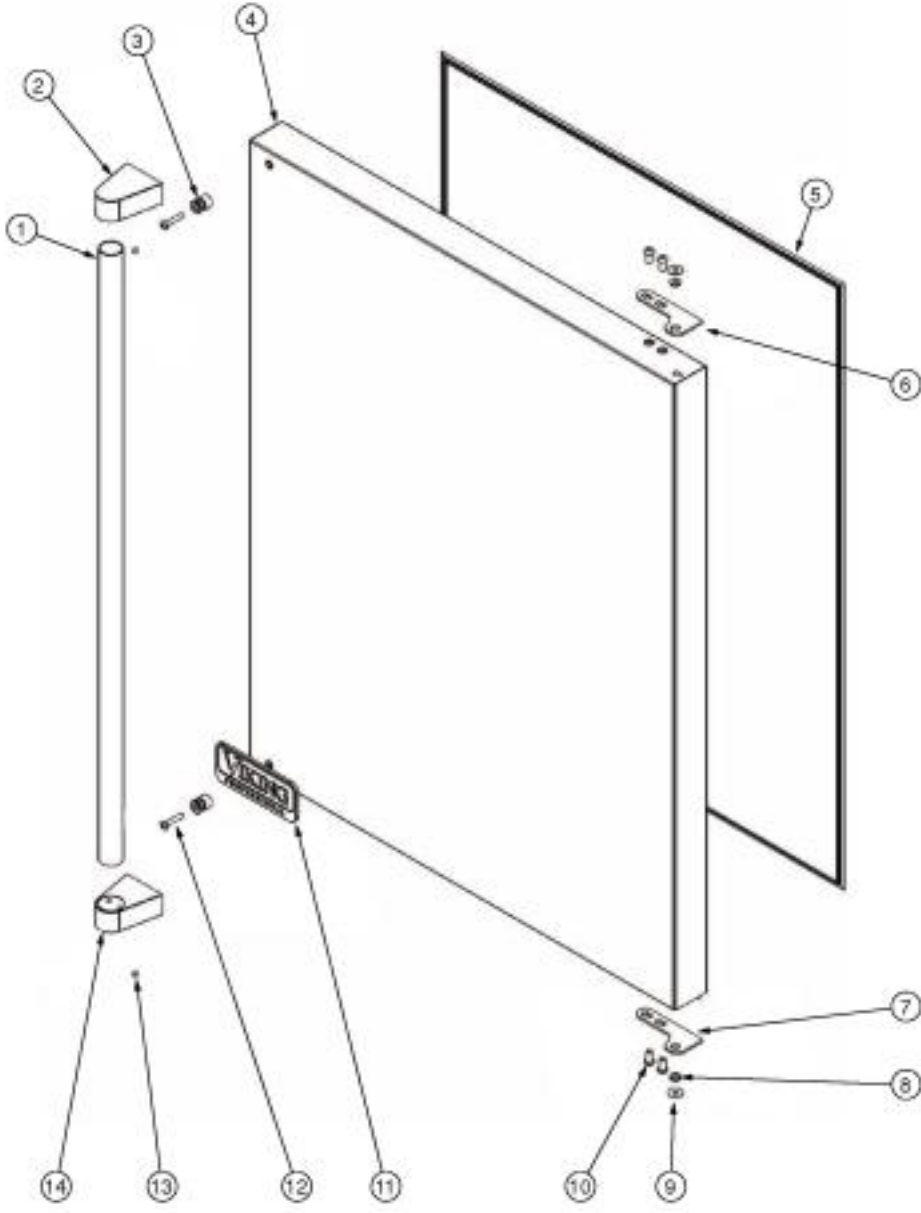
VIKING VUBD140T REV. B Owner's Manual

[Shop genuine replacement parts for VIKING VUBD140T
REV. B](#)

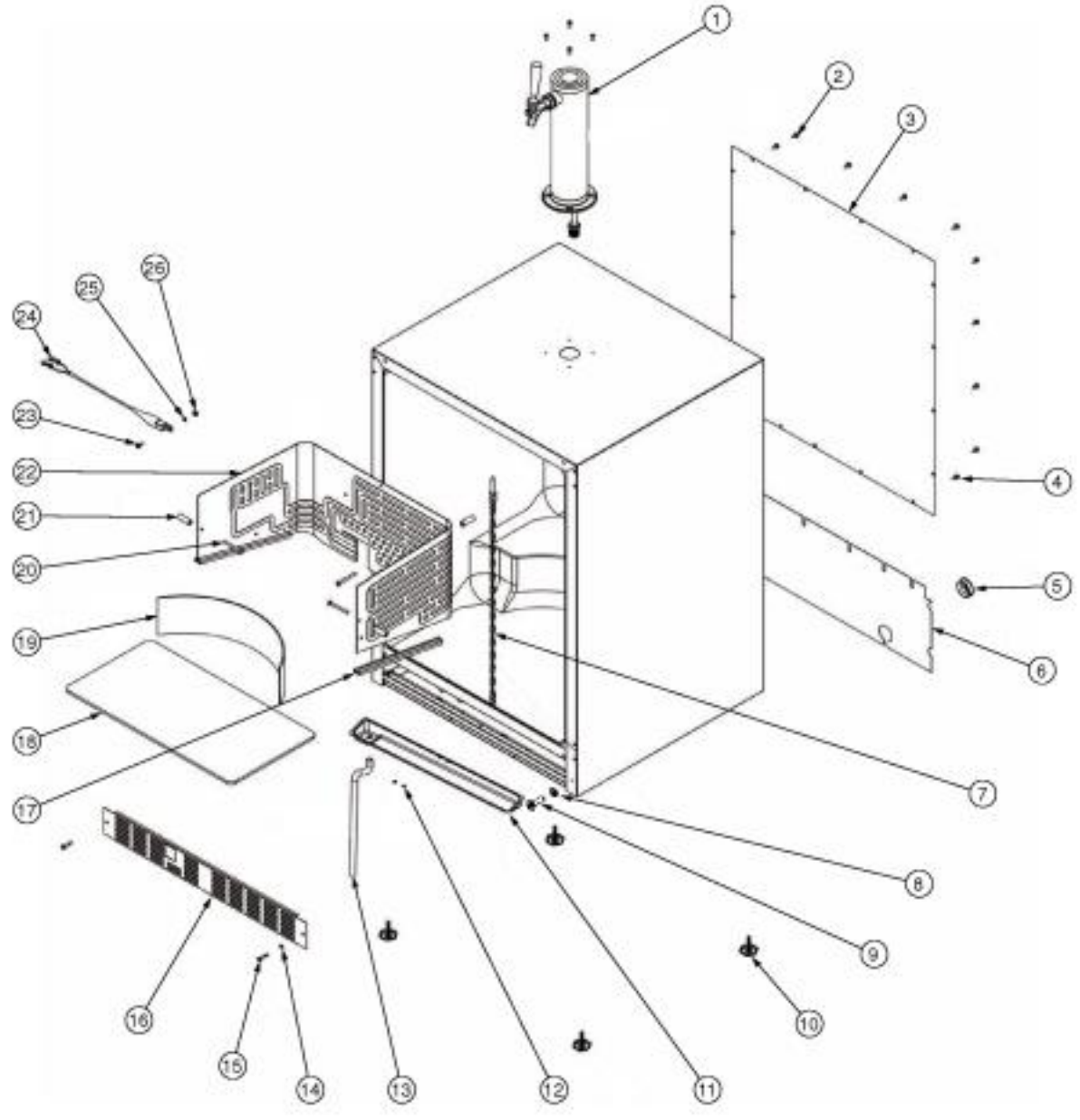


[Find Your VIKING Refrigerator Parts - Select From 341 Models](#)

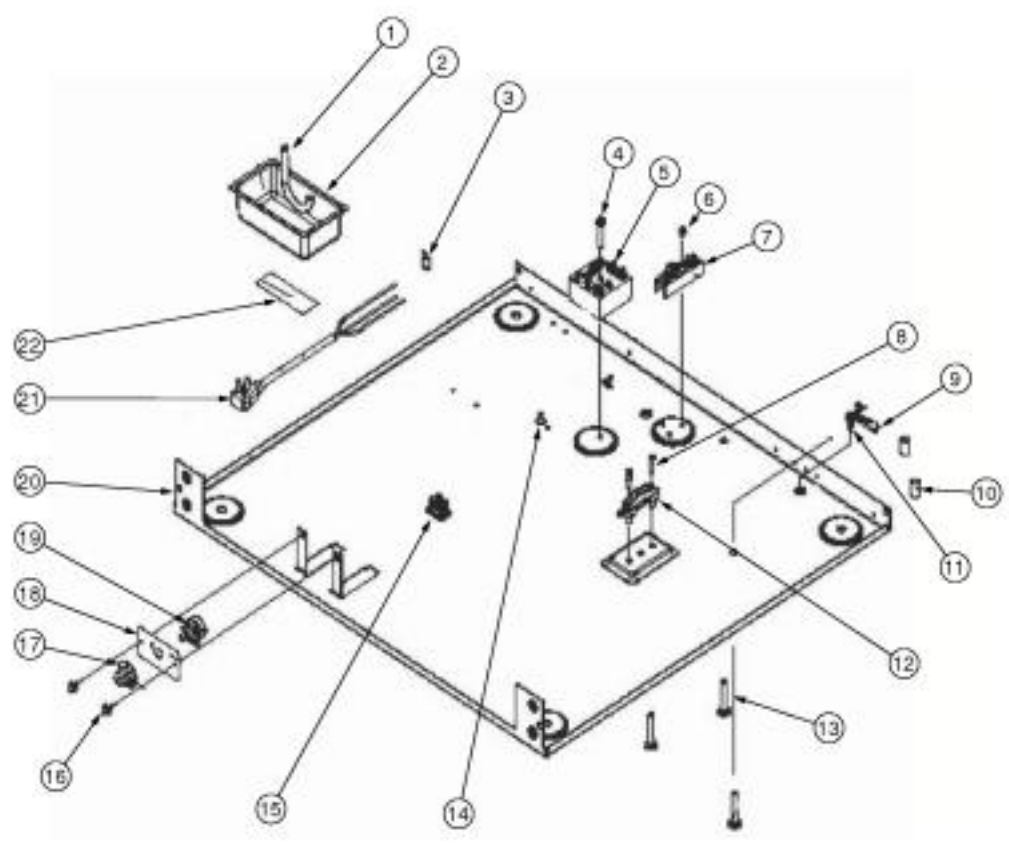
----- Manual continues below -----



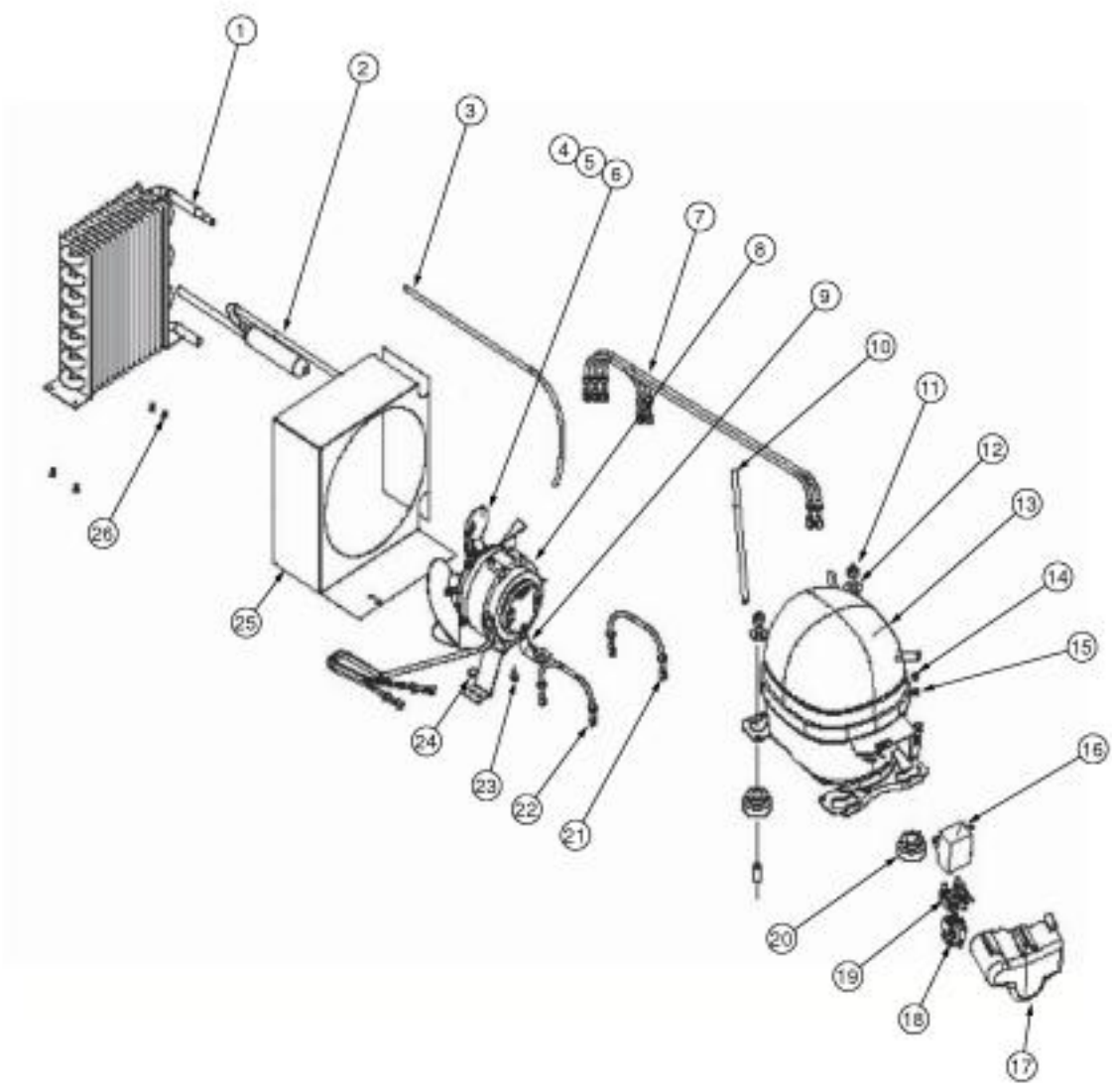
Ref #	Part Number	Qty.	Description
1	009519-000	1	HANDLE TUBE, SS
2	009669-000	1	END CAP W/SET SCREW
3	009641-000	2	VIKING HANDLE STAND-OFF STUD
4	022727-000	1	DOOR ASSY, RH SS (DOES NOT INCLUDE HANDLE OR HIN...
5	PW230005	1	GASKET, DOOR (VUWC140) X 42241280
6	009760-000	1	HINGE ADAPTER, TOP, SS
7	009757-000	1	HINGE ADAPTER, BOTTOM, SS
8	009755-000	2	HINGE BUSHING
9	009761-000	2	WASHER, NYLON
10	010212-000	4	SCREW, 1/4-20 SS
11	PW230007	1	NAMEPLATE, PRO
12	PW300163	2	SCREW (VUIM150) 42243357
13	009644-000	2	SET SCREW
14	010211-000	1	END CAP BOT W/SS
NI	010221-000	1	DOOR HINGE, RIGHT TOP - SS
NI	010223-000	6	SCREW, NO.10-32 X .75 COUNTERSUNK, SS
NI	010244-000	1	HINGE, RIGHT BOTTOM - SS
NI	022728-000	1	DOOR ASSY, LH SS (DOES NOT INCLUDE HANDLE OR HING...
NI	022225-000	1	TOP HINGE PIN
NI	022730-000	1	HINGE PIN, BOTTOM



Ref #	Part Number	Qty.	Description
1	022731-000	1	TAP TOWER, SS (SCREWS INCLUDED)
2	028395-000	12	NO.10 X .5 AB HEX WASHER HEAD SCREW, SS
3	022732-000	1	BACK PANEL, SS
4	009515-000	11	NO.10-32 X 1/2 HEX WASHER HEAD SCREW
5	022733-000	1	RUBBER GROMMET, BLACK
6	022734-000	1	BACK SHROUD, SS
7	022735-000	1	CO2 TANK RESTRAINT
8	028396-000	4	NO.10 CSK WASHER
9	010236-000	4	10-32 X 3/4? PHILLIPS COUNTERSUNK SCREW, ZN
10	028397-000	4	LEVELING LEGS
11	PW210012	1	DRIP TRAY & 2 POP RVT(VUWC)42242603
12	028398-000	2	POP RIVET NO.AD43ABS ALUMINUM
13	022737-000	1	DRAIN TUBE, WHITE
14	010069-000	1	LOCK WASHER
15	010068-000	2	SCREW - BK
16	022738-000	1	GRILLE, STAINLESS STEEL
17	028399-000	2	EVAPORATOR TRIM, WHITE
18	022739-000	1	FLOOR SHIELD, WHITE
19	022740-000	1	WALL SHIELD, WHITE
20	PW200007	3	SCREW, EVAPOR. (VUWC140)X 08204902
21	PW200009	3	EVAPORATOR SPACER
22	028400-000	1	EVAPORATOR ASSEMBLY, WHITE
23	009485-000	1	MACHINE SCREW - SS
24	028401-000	1	THERMOSTAT THERMISTOR
25	009486-000	1	NO.10 EXTERNAL TOOTH STAR WASHER, SS
26	028402-000	1	NO.10-32 HEX MACHINE SCREW NUT



Ref #	Part Number	Qty.	Description
1	022751-000	1	?J? TRAP
2	010078-000	1	DRIP PAN
3	028403-000	1	CABLE TIE
4	028404-000	1	NO.10-32 X 1-1/4 HX.WSH.HD SCREW
5	022935-000	1	SSAC THERMOSTAT CONTROL
6	PW200029	1	SCREW
7	028405-000	1	TERMINAL BLOCK, ELECTRON, ESB!-3-5
8	028406-000	2	SCREW, POWER CORD CLAMP
9	PW300137	1	GROUND WIRE (VUIM150)
10	022768-000	4	SLEEVE .65? LONG (IINCLUDED W/ COMPRESSOR)
11	028407-000	1	NO.8-32 X 1/4 PH.PAN HD. SCREW
12	022745-000	1	CLAMP, POWER CORD
13	PW200023	4	CARRIAGE BOLT
14	010062-000	2	CARRIAGE BOLT
15	007640-000	1	PLASTIC WIRE CLIP
16	009924-000	2	WASHER HD SCREW - ZN
17	022939-000	1	THERMOSTAT KNOB
18	028408-000	1	POTENTIOMETER MOUNTING BRACKET
19	022903-000	1	SSAC THERMOSTAT POTENTIOMETER
20	022749-000	1	BASEPLATE, UNDERCOUNTER UNIT
21	022932-000	1	POWER CORD (NOT SHOWN)
22	010079-000	1	TAPE - WH



Ref #	Part Number	Qty.	Description
1	PW240004	1	CONDENSER, R-134A
2	022752-000	1	DRIER ASSEMBLY
3	007638-000	1	COPPER TUBING
4	009831-000	1	SILENCER (INCLUDED W/FAN)
5	022753-000	1	SPEED NUT
6	PW200037	1	FAN BLADE
7	010038-000	1	WIRE HARNESS
8	PW240005	1	FAN/MTR ASSY COMPLETE VUWC
9	009633-000	1	FAN MOTOR BRACKET
10	022754-000	1	TUBING, .250 X 6.25
11	PW200017	4	LOCK NUT .25-.20 UNC
12	PW200018	4	.312 ID FLAT WASHER
13	008167-000	1	TRIM SCREWS SS (PACKAGE OF 6)
14	009515-000	1	NO.10-32 X 1/2 HEX WASHER HEAD SCREW
15	007641-000	1	NO.10 EXTERNAL TOOTH LOCKWASHER
16	PS100023	1	RUN CAPACITOR (42245134) 152 WC
17	022368-000	1	TERMINAL COVER
18	PS100021	1	PTC RELAY (42245131) 152 WC
19	PS100020	1	OVERLOAD (42245133) 152 WC
20	010036-000	4	GROMMET (COMES WITH COMPRESSOR)
21	NA	1	LOW VOLTAGE BOARD (AFTER 01/22/05)
22	NA	1	LOW VOLTAGE BOARD (AFTER 01/22/05)
23	009509-000	2	NO.8-36 SCREW
24	010034-000	2	KEP NUT (42247454)
25	010071-000	1	FAN SHROUD
26	PW200019	4	POP RIVET