

This Owner's Manual is provided and hosted by [Appliance Factory Parts](#).



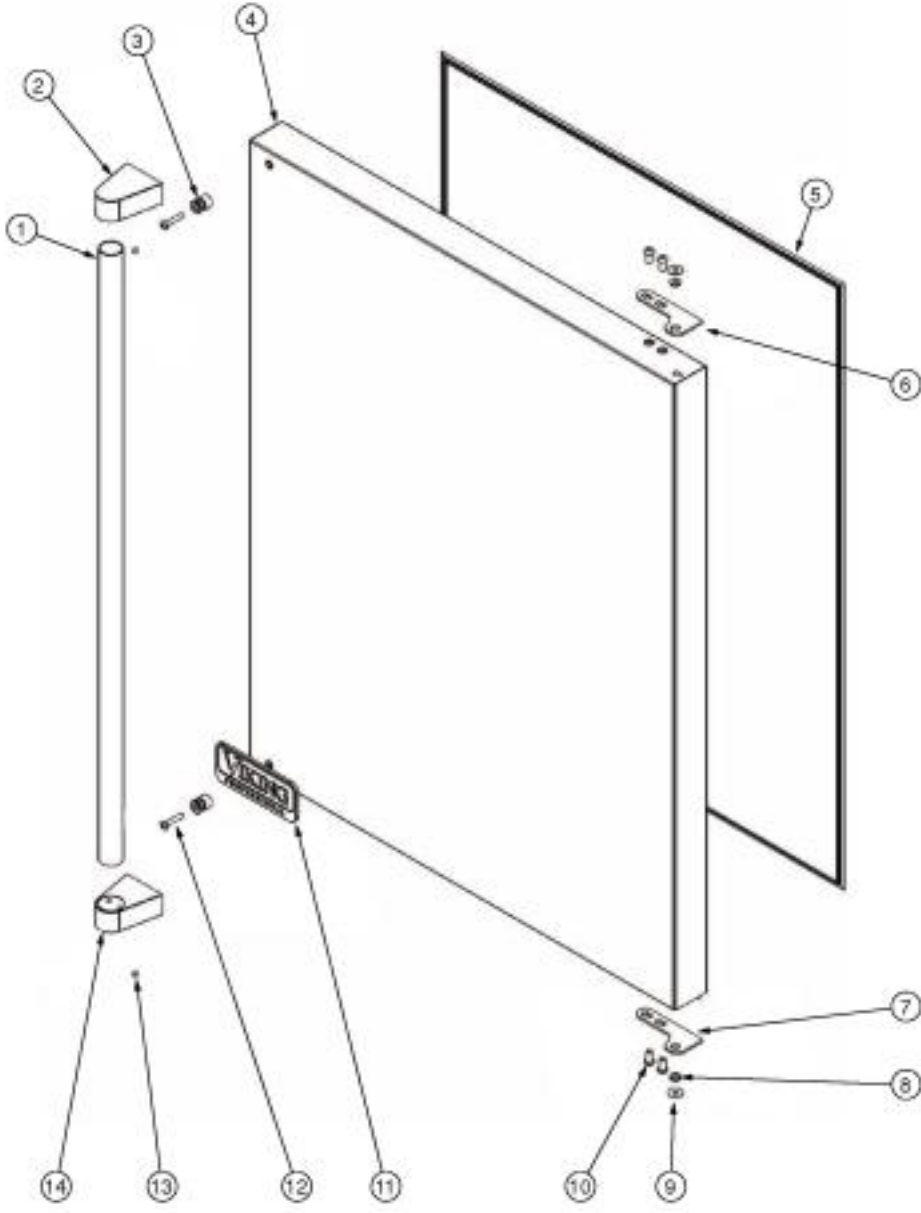
VIKING VUBD140T Owner's Manual

[Shop genuine replacement parts for VIKING VUBD140T](#)

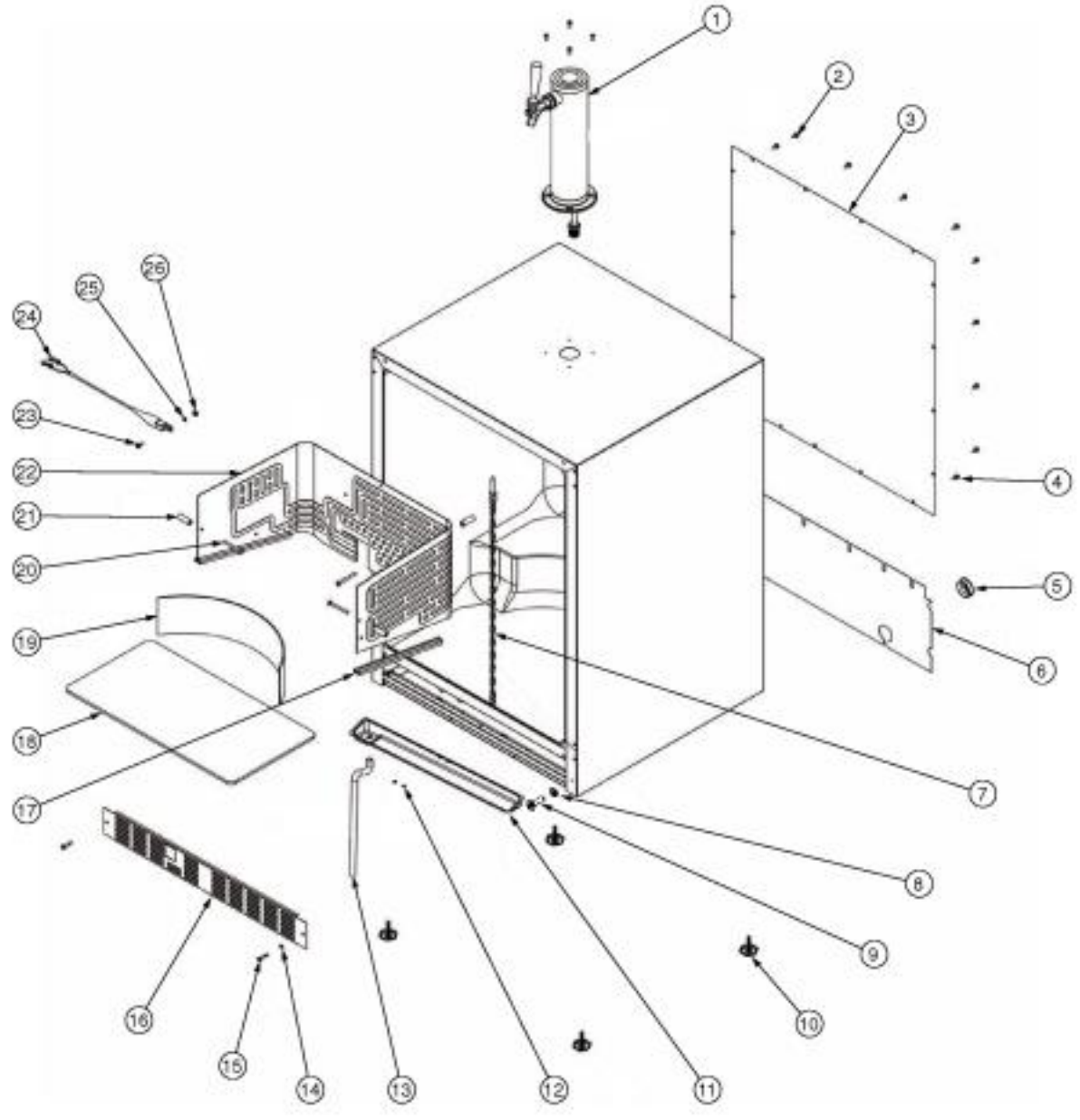


[Find Your VIKING Refrigerator Parts - Select From 341 Models](#)

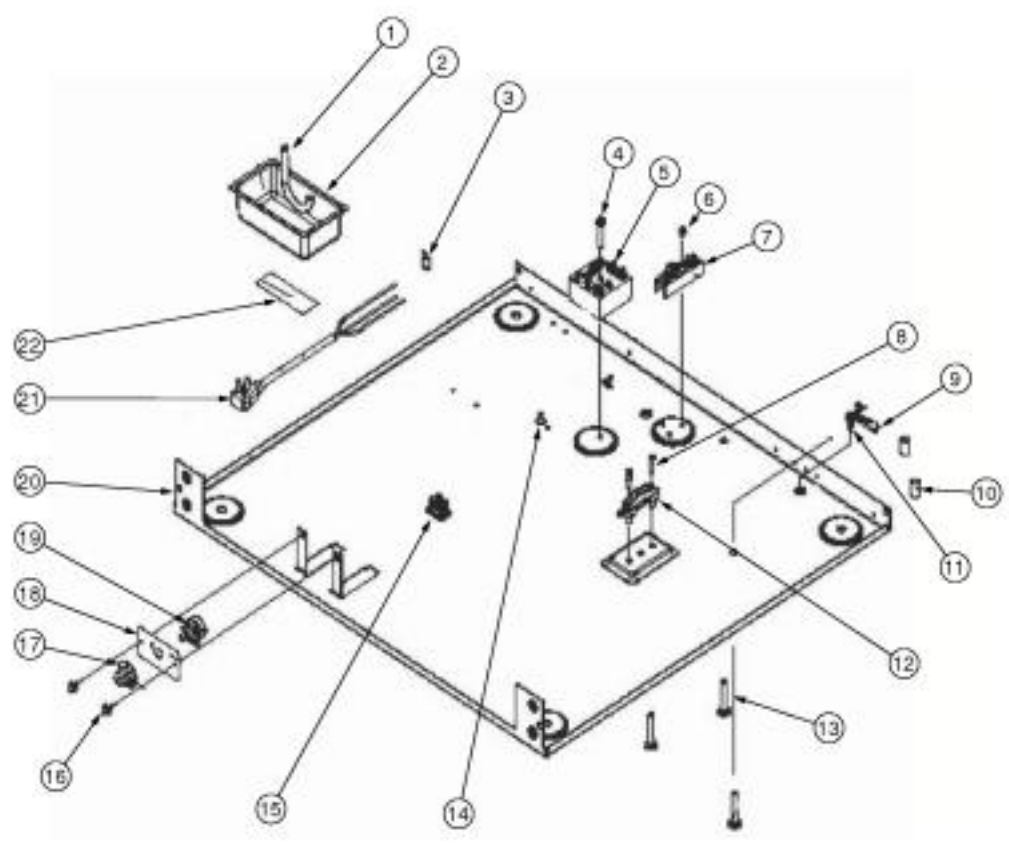
----- Manual continues below -----



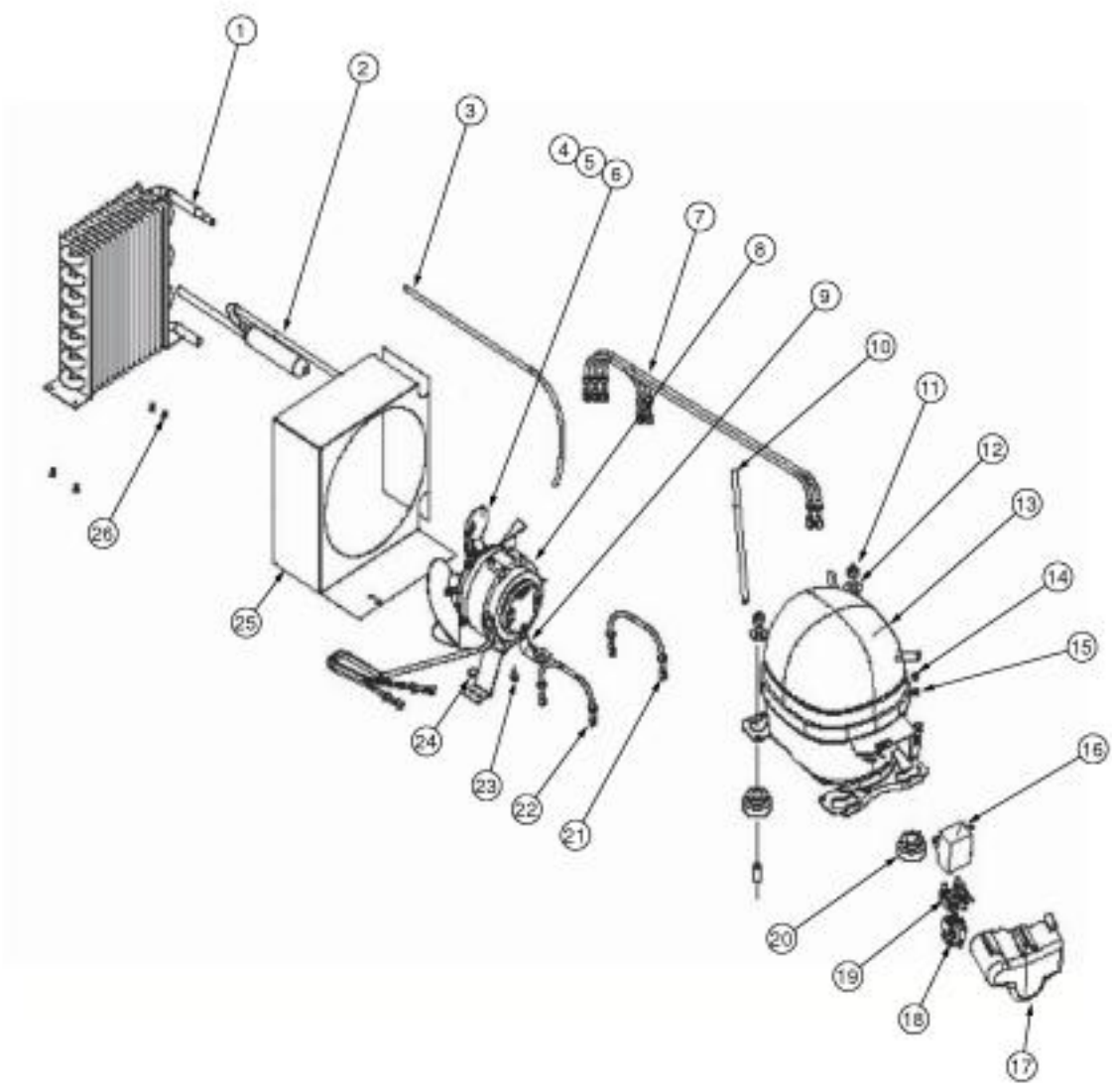
| Ref # | Part Number | Qty. | Description |
|-------|-------------|------|--|
| 1 | 009519-000 | 1 | HANDLE TUBE, SS |
| 2 | 009669-000 | 1 | END CAP W/SET SCREW |
| 3 | 009641-000 | 2 | VIKING HANDLE STAND-OFF STUD |
| 4 | 022727-000 | 1 | DOOR ASSY, RH SS (DOES NOT INCLUDE HANDLE OR HIN... |
| NI | 022728-000 | 1 | DOOR ASSY, LH SS (DOES NOT INCLUDE HANDLE OR HING... |
| 5 | 009523-000 | 1 | DOOR GASKET - WH |
| 6 | 009760-000 | 1 | HINGE ADAPTER, TOP, SS |
| 7 | 009757-000 | 1 | HINGE ADAPTER, BOTTOM, SS |
| 8 | 009755-000 | 2 | HINGE BUSHING |
| 9 | 009761-000 | 2 | WASHER, NYLON |
| 10 | 010212-000 | 4 | SCREW, 1/4-20 SS |
| 11 | PW230007 | 1 | NAMEPLATE, PRO |
| 12 | 009643-000 | 2 | SCREW |
| 13 | 009644-000 | 2 | SET SCREW |
| 14 | 010211-000 | 1 | END CAP BOT W/SS |
| NI | 010221-000 | 1 | DOOR HINGE, RIGHT TOP - SS |
| NI | 010244-000 | 1 | HINGE, RIGHT BOTTOM - SS |
| NI | 022729-000 | 1 | HINGE PIN, TOP |
| NI | 022730-000 | 1 | HINGE PIN, BOTTOM |
| NI | 010223-000 | 6 | SCREW, NO.10-32 X .75 COUNTERSUNK, SS |



| Ref # | Part Number | Qty. | Description |
|-------|-----------------|------|---|
| 1 | 022731-000 | 1 | TAP TOWER, SS (SCREWS INCLUDED) |
| 2 | NON-SERVICEABLE | 12 | TUB WELDMENT |
| 3 | 022732-000 | 1 | BACK PANEL, SS |
| 4 | NON-SERVICEABLE | 11 | TUB WELDMENT |
| 5 | NON-SERVICEABLE | 1 | TUB WELDMENT |
| 6 | 022734-000 | 1 | BACK SHROUD, SS |
| 7 | 022735-000 | 1 | CO2 TANK RESTRAINT |
| 8 | NON-SERVICEABLE | 4 | TUB WELDMENT |
| 9 | 010236-000 | 4 | 10-32 X 3/4? PHILLIPS COUNTERSUNK SCREW, ZN |
| 10 | 010031-000 | 4 | LEVELING LEG |
| 11 | 022736-000 | 1 | DRIP TRAY, WHITE |
| 12 | NON-SERVICEABLE | 2 | TUB WELDMENT |
| 13 | 022737-000 | 1 | DRAIN TUBE, WHITE |
| 14 | 010069-000 | 1 | LOCK WASHER |
| 15 | 010068-000 | 2 | SCREW - BK |
| 16 | 022738-000 | 1 | GRILLE, STAINLESS STEEL |
| 17 | 009493-000 | 2 | EVAPORATOR TRIM - WH |
| 18 | 022739-000 | 1 | FLOOR SHIELD, WHITE |
| 19 | 022740-000 | 1 | WALL SHIELD, WHITE |
| 20 | PW200007 | 3 | SCREW, EVAPOR. (VUWC140)X 08204902 |
| 21 | PW200009 | 3 | EVAPORATOR SPACER |
| 22 | 022741-000 | 1 | EVAPORATOR ASSEMBLY, WHITE |
| 23 | 009485-000 | 1 | MACHINE SCREW - SS |
| 24 | 022742-000 | 1 | THERMOSTAT THERMISTOR |
| 25 | 009486-000 | 1 | NO.10 EXTERNAL TOOTH STAR WASHER, SS |
| 26 | NON-SERVICEABLE | 1 | TUB WELDMENT |



| Ref # | Part Number | Qty. | Description |
|-------|-----------------|------|------------------------------------|
| 1 | 022751-000 | 1 | ?J? TRAP |
| 2 | 010078-000 | 1 | DRIP PAN |
| 3 | NON-SERVICEABLE | 1 | TUB WELDMENT |
| 4 | NON-SERVICEABLE | 1 | TUB WELDMENT |
| 5 | 022743-000 | 1 | SSAC THERMOSTAT CONTROL |
| 6 | PW200029 | 1 | SCREW |
| 7 | 022744-000 | 1 | TERMINAL BLOCK, ELECTRON, ESB!-3-5 |
| 8 | NON-SERVICEABLE | 2 | TUB WELDMENT |
| 9 | 010353-000 | 1 | GROUND WIRE |
| 10 | NON-SERVICEABLE | 4 | TUB WELDMENT |
| 11 | NON-SERVICEABLE | 1 | TUB WELDMENT |
| 12 | 022745-000 | 1 | CLAMP, POWER CORD |
| 13 | PW200023 | 4 | CARRIAGE BOLT |
| 14 | 010062-000 | 2 | CARRIAGE BOLT |
| 15 | 007640-000 | 1 | PLASTIC WIRE CLIP |
| 16 | 009924-000 | 2 | WASHER HD SCREW - ZN |
| 17 | 022746-000 | 1 | THERMOSTAT KNOB |
| 18 | 022747-000 | 1 | POTENTIOMETER MOUNTING BRACKET |
| 19 | 022748-000 | 1 | SSAC THERMOSTAT POTENTIOMETER |
| 20 | 022749-000 | 1 | BASEPLATE, UNDERCOUNTER UNIT |
| 21 | 022750-000 | 1 | POWER CORD |
| 22 | 010079-000 | 1 | TAPE - WH |



| Ref # | Part Number | Qty. | Description |
|-------|-----------------|------|--------------------------------------|
| 1 | 010243-000 | 1 | CONDENSER |
| 2 | 022752-000 | 1 | DRIER ASSEMBLY |
| 3 | 007638-000 | 1 | COPPER TUBING |
| 4 | 009831-000 | 1 | SILENCER (INCLUDED W/FAN) |
| 5 | 022753-000 | 1 | SPEED NUT |
| 6 | 010248-000 | 1 | FAN BLADE |
| 7 | 010038-000 | 1 | WIRE HARNESS |
| 8 | 010249-000 | 1 | FAN MOTOR |
| 9 | 009633-000 | 1 | FAN MOTOR BRACKET |
| 10 | 022754-000 | 1 | TUBING, .250 X 6.25 |
| 11 | PW200017 | 4 | LOCK NUT .25-.20 UNC |
| 12 | PW200018 | 4 | .312 ID FLAT WASHER |
| 13 | 010350-000 | 1 | COMPRESSOR ASSEMBLY |
| 14 | 009515-000 | 1 | NO.10-32 X 1/2 HEX WASHER HEAD SCREW |
| 15 | 007641-000 | 1 | NO.10 EXTERNAL TOOTH LOCKWASHER |
| 16 | 010239-000 | 1 | RUN CAPACITOR |
| 17 | 009507-000 | 1 | RELAY COVER |
| 18 | 010352-000 | 1 | RELAY |
| 19 | 010351-000 | 1 | OVERLOAD |
| 20 | 010036-000 | 4 | GROMMET (COMES WITH COMPRESSOR) |
| 21 | NON-SERVICEABLE | 1 | TUB WELDMENT |
| 22 | NON-SERVICEABLE | 1 | TUB WELDMENT |
| 23 | 009509-000 | 2 | NO.8-36 SCREW |
| 24 | NON-SERVICEABLE | 2 | TUB WELDMENT |
| 25 | 010071-000 | 1 | FAN SHROUD |
| 26 | PW200019 | 4 | POP RIVET |
| NI | PW300256 | 1 | OVER FILL CONTAINER (CK-034A) |