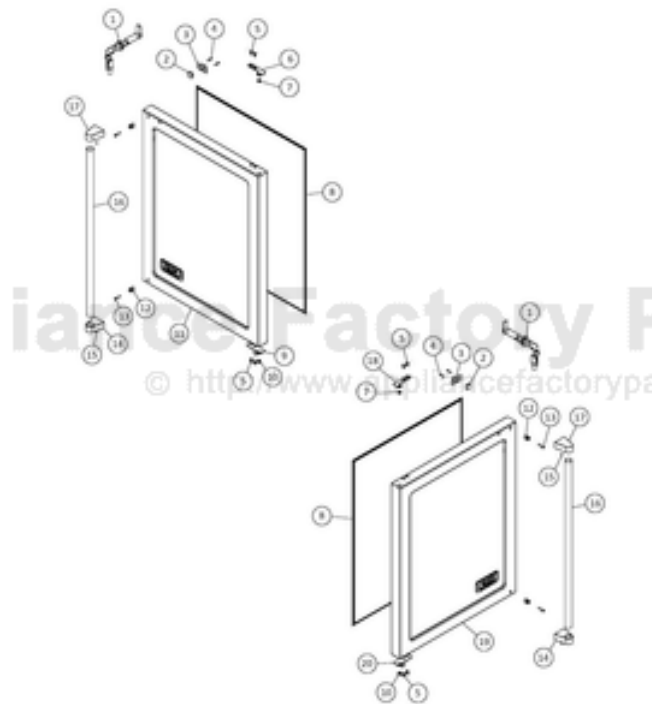


This Owner's Manual is provided and hosted by [Appliance Factory Parts](http://ApplianceFactoryParts.com).



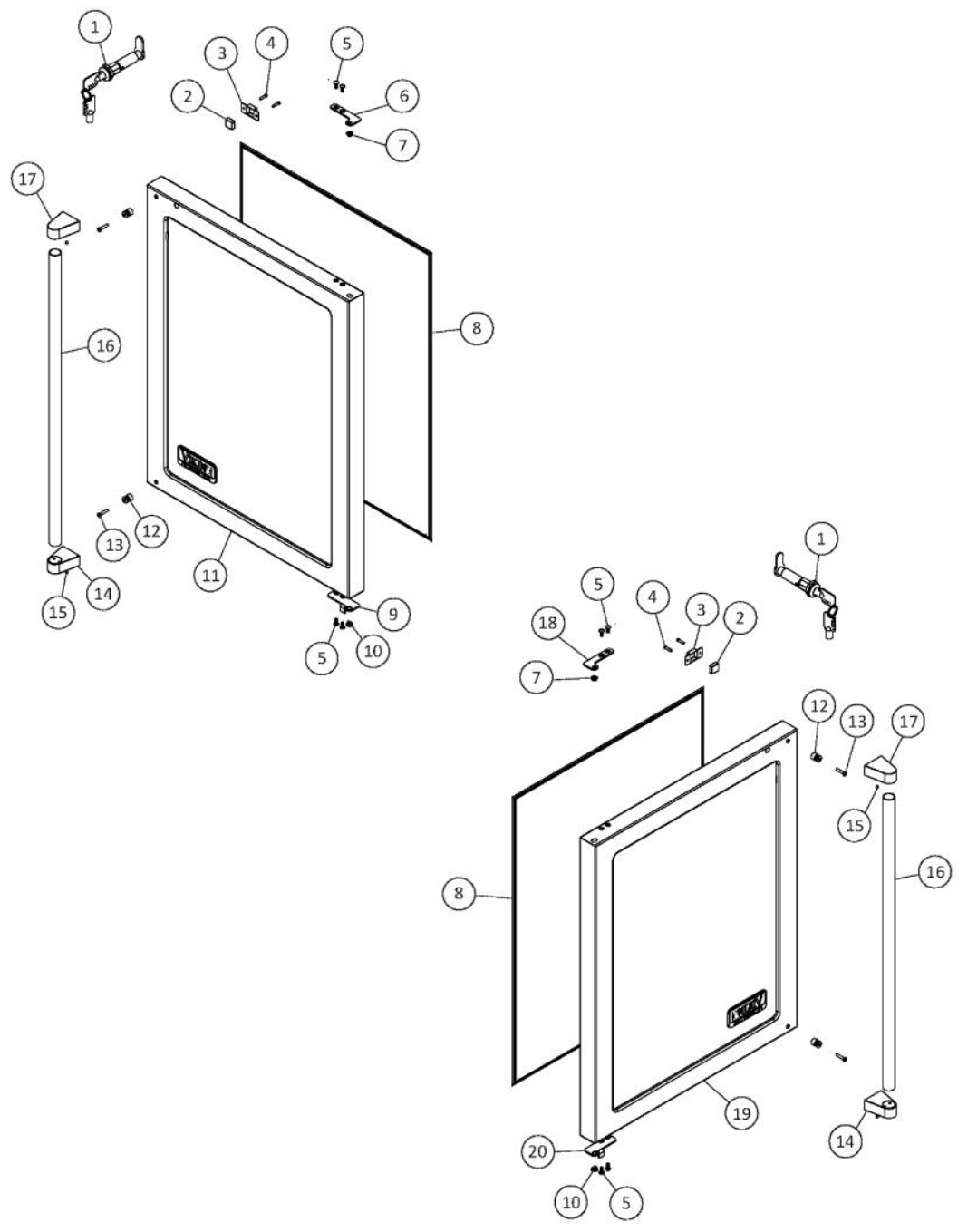
VIKING VUWC1441 REV. B 9-25-2009 Owner's Manual

[Shop genuine replacement parts for VIKING VUWC1441
REV. B 9-25-2009](#)

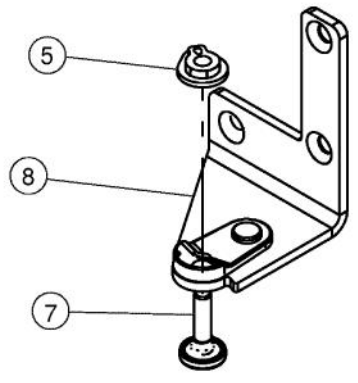
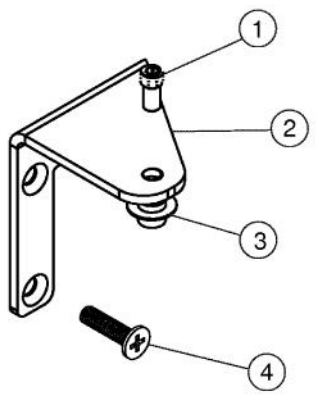
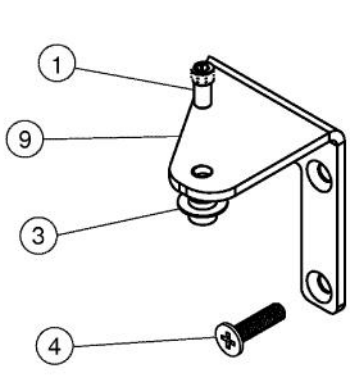


[Find Your VIKING Refrigerator Parts - Select From 341 Models](#)

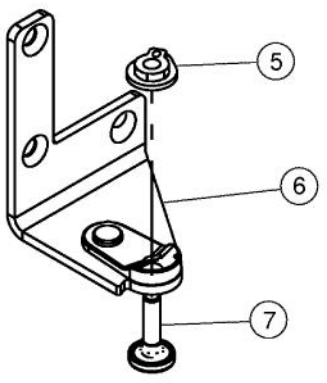
----- Manual continues below -----



Ref #	Part Number	Qty.	Description
1	026867-000	1	VEWD527 INNER DOOR PANEL
2	026715-000	1	DOOR SWITCH MAGNET
3	026714-000	1	DOOR SWITCH MAGNET RETAINER
4	022440-000	2	NO.10 X 5/8 HEX HEAD SCREW
5	022248-000	4	1/4-20 X 1/2 BUTTON HEAD CAP SCREW
6	026717-000	1	HINGE ADAPTER, TOP, RH, SS
7	022414-000	1	BEARING, HINGE PIN UPPER
8	PW230124	1	MAGNETIC GASKET, BLACK
9	022424-000	1	SCREW : 4MM X 10MM
10	022423-000	1	DOOR CLOSER CAM FOLLOWER
11	037005-000	1	DOOR ASSY, PRO, CLEAR GLASS RH, W/LOCK
11	037007-000	1	DOOR ASSY, PRO, FLUTED GLASS, RH, W/LOCK
12	009521-000	2	STANDOFF STUD
13	022434-000	2	NO.10-32 X 1? TRUSS HEAD MACHINE SCREW
14	022437-000	1	STANDOFF BOTTOM
15	022436-000	2	10-32 X 1/4? SET SCREW
16	026713-000	1	DOOR HANDLE
17	022438-000	1	STANDOFF TOP
18	022900-000	1	TOP HINGE ADAPTER, LEFT HAND
19	037006-000	1	DOOR ASSY, PRO, CLEAR GLASS LH, W/LOCK
19	037008-000	1	DOOR ASSY, PRO, FLUTED GLASS, LH, W/LOCK
20	022427-000	1	DOOR STOP, L.H.

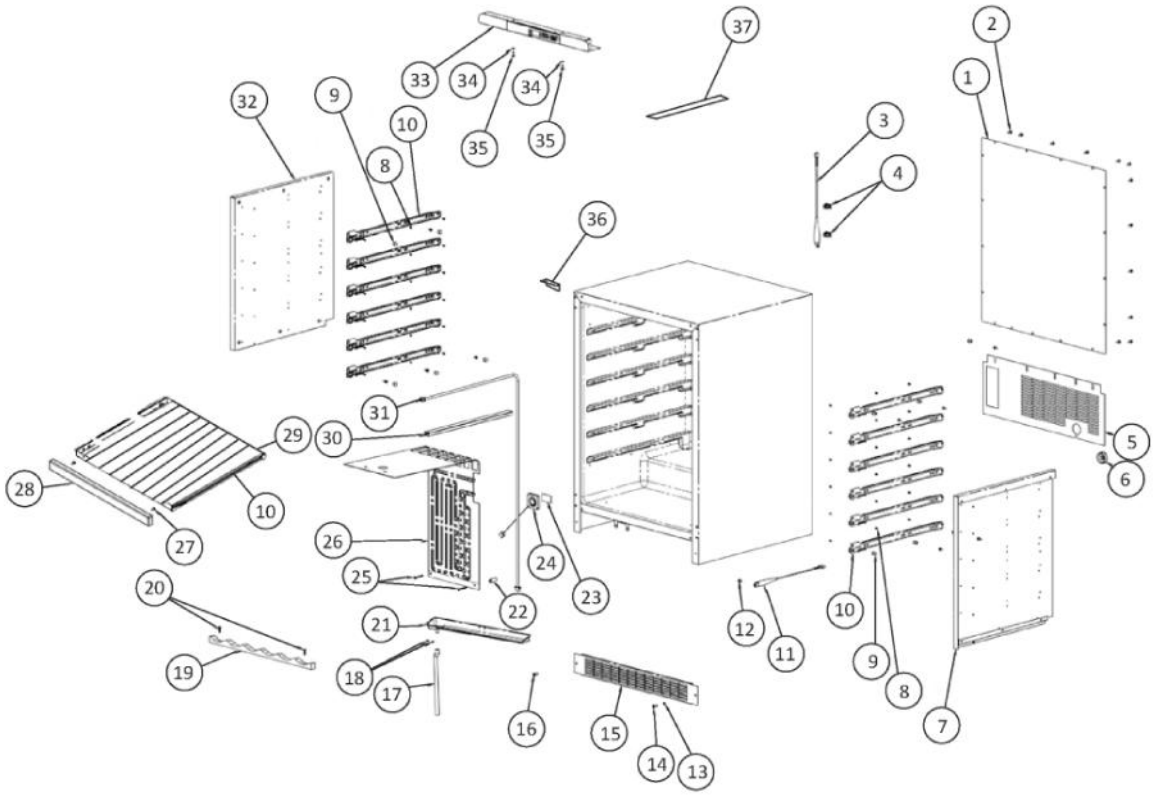


Right Hand

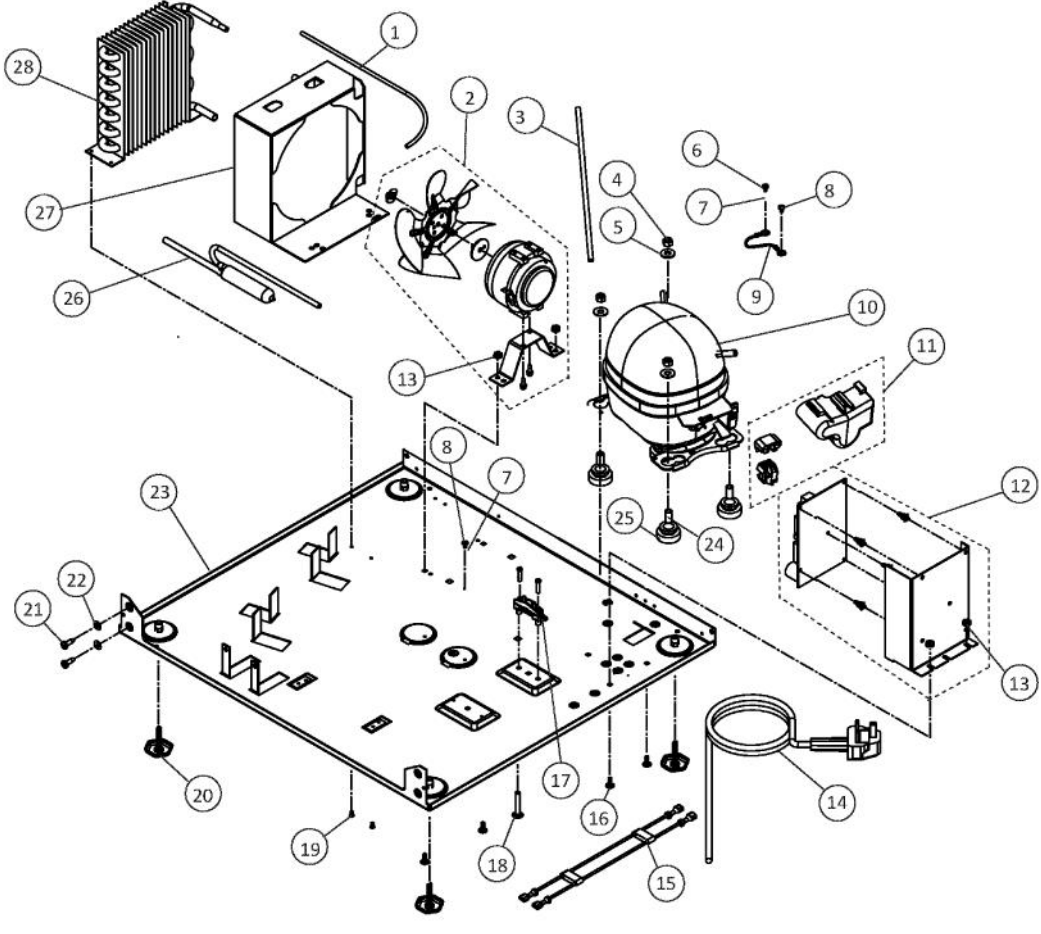


Left Hand

Ref #	Part Number	Qty.	Description
1	028354-000	1	TOP HINGE PIN
2	022415-000	1	UPPER DOOR HINGE R.H.
3	022414-000	1	BEARING, HINGE PIN UPPER
4	022252-000	6	10-32 X 3/4 COUNTERSUNK SCREW
5	022423-000	1	DOOR CLOSER CAM FOLLOWER
6	022417-000	1	BOTTOM DOOR HINGE, R.H.
7	022240-000	1	LOWER HINGE PIN
8	022420-000	1	BOTTOM DOOR HINGE, L.H.
9	022416-000	1	UPPER DOOR HINGE L.H.



Ref #	Part Number	Qty.	Description
1	022348-000	1	BACK PANEL
2	022440-000	19	NO.10 X 5/8 HEX HEAD SCREW
3	009484-000	1	DISPLAY TEMPERATURE THERMISTOR
4	022359-000	2	FASTEX CLAMP
5	022349-000	1	BACK SHROUD, GALVANIZED STEEL
6	022354-000	1	HEYCO BUSHUNG
7	022345-000	1	LINER SHIELD, RH, BLACK
8	022356-000	36	1/8 POP RIVET
9	022353-000	4	HEYCO NO.2620 HOLE PLUG, GLOSSY BLACK
10	022346-000	24	BAYONET MOUNT CABINET SLIDE KIT, BLACK
11	009483-000	1	EVAPORATOR TEMPERATURE THERMISTOR
12	022440-000	1	NO.10 X 5/8 HEX HEAD SCREW
13	022358-000	1	NO.12 EXTERNAL TOOTH STAR WASHER
14	022361-000	1	NO.12X 3/4 BLACK TYPE A SCREW
15	022357-000	1	BLACK GRILLE
16	022361-000	1	NO.12X 3/4 BLACK TYPE A SCREW
17	PW240045	1	SERV. ASSY BLACK DRAIN TUBE 42244609
18	022401-000	2	POP RIVET NO.AD43ABS ALUMINUM
19	PW210046	1	141 SERIES LOWER BOTTLE CRADLE
20	022252-000	2	10-32 X 3/4 COUNTERSUNK SCREW
21	PS100083	1	DRIP TRAY, BLACK 142 WC 42244429
22	022352-000	2	BLACK SPACER, 1.00? LONG
23	009747-000	1	EVAPORATOR FAN
24	009747-000	2	EVAPORATOR FAN
25	022363-000	2	NO.8 X 1-1/2 TRUSS HEAD SCREW, SS
26	PW240046	1	141 SERIES BLACK EVAP ASSY (42244920)
27	022362-000	12	NO.8 X 1/2 SMS PHILLIPS PAN HEAD SCREW, ZN
28	022351-000	6	NATURAL WOOD FRONT
29	022275-000	6	TOGGLE SCREW
30	022350-000	1	WIRE CONDUIT
31	009482-000	1	COMMUNICATION CABLE
32	022285-000	1	LINER SHIELD, LH, BLACK
33	028595-000	1	DISPLAY ASM BK, 24 WC GLASS DR.
34	022478-000	2	NO.10 EXTERNAL TOOTH STAR WASHER, SS
35	022929-000	2	NO.10-32 X 1/2 MACHINE SCREW
36	028483-000	1	LOCK CATCH
37	PW240044	2	VUAR/DUAR141 AURA LIGHT



Ref #	Part Number	Qty.	Description
1	022364-000	1	TUBING, .188 OD X 14 IN
2	028484-000	1	CONDENSER FAN ASSEMBLY
3	022406-000	1	PROCESS TUBE, 1/4 X 10?
4	022395-000	3	CONVECTION MOTOR
5	022388-000	3	FAN MOTOR
6	022369-000	1	NO.8-32 X 1/4 PHILLIPS PAN HEAD SCREW, GALVANIZED
7	022358-000	2	NO.12 EXTERNAL TOOTH STAR WASHER
8	022402-000	1	10-32 X 1/2 HEX WASHER HEAD SCREW
9	PW300137	1	GROUND WIRE (VUIM150)
10	022949-000	1	COMPRESSOR
11	028496-000	1	TERMINAL COVER KIT W/ OVERLOAD & RELAY
12	022477-000	1	ELECTRONIC CONTROL AND BRACKET ASSEMBLY
13	022381-000	4	10-24 HEX KEPS NUT
14	028377-000	1	POWER CORD
15	022373-000	1	WIRING HARNESS, COMPRESSOR
16	022365-000	4	13 X 1/2 CARRIAGE BOLT
17	022380-000	2	POWER CORD CLAMP KIT (W/SCREWS)
18	022404-000	3	CARRIAGE BOLT 1/4-20 X 1.50 UNC 2A
19	022401-000	8	POP RIVET NO.AD43ABS ALUMINUM
20	022366-000	4	LEG LEVELER
21	022252-000	2	10-32 X 3/4 COUNTERSUNK SCREW
22	022403-000	4	NO.10 COUNTERSUNK WASHER
23	022370-000	1	MECHANICAL BASEPLATE
24	022912-000	3	SLEEVE 2222006
25	022908-000	4	GROMMET
26	PW240003	1	DRIER ASSY VUWC140
27	PW210013	1	FAN SHROUD (VUWC140) 42241349
28	PW240004	1	CONDENSER, R-134A