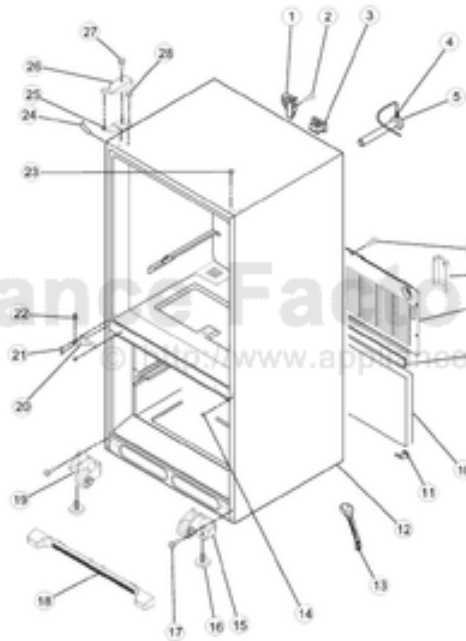


This Owner's Manual is provided and hosted by [Appliance Factory Parts](#).



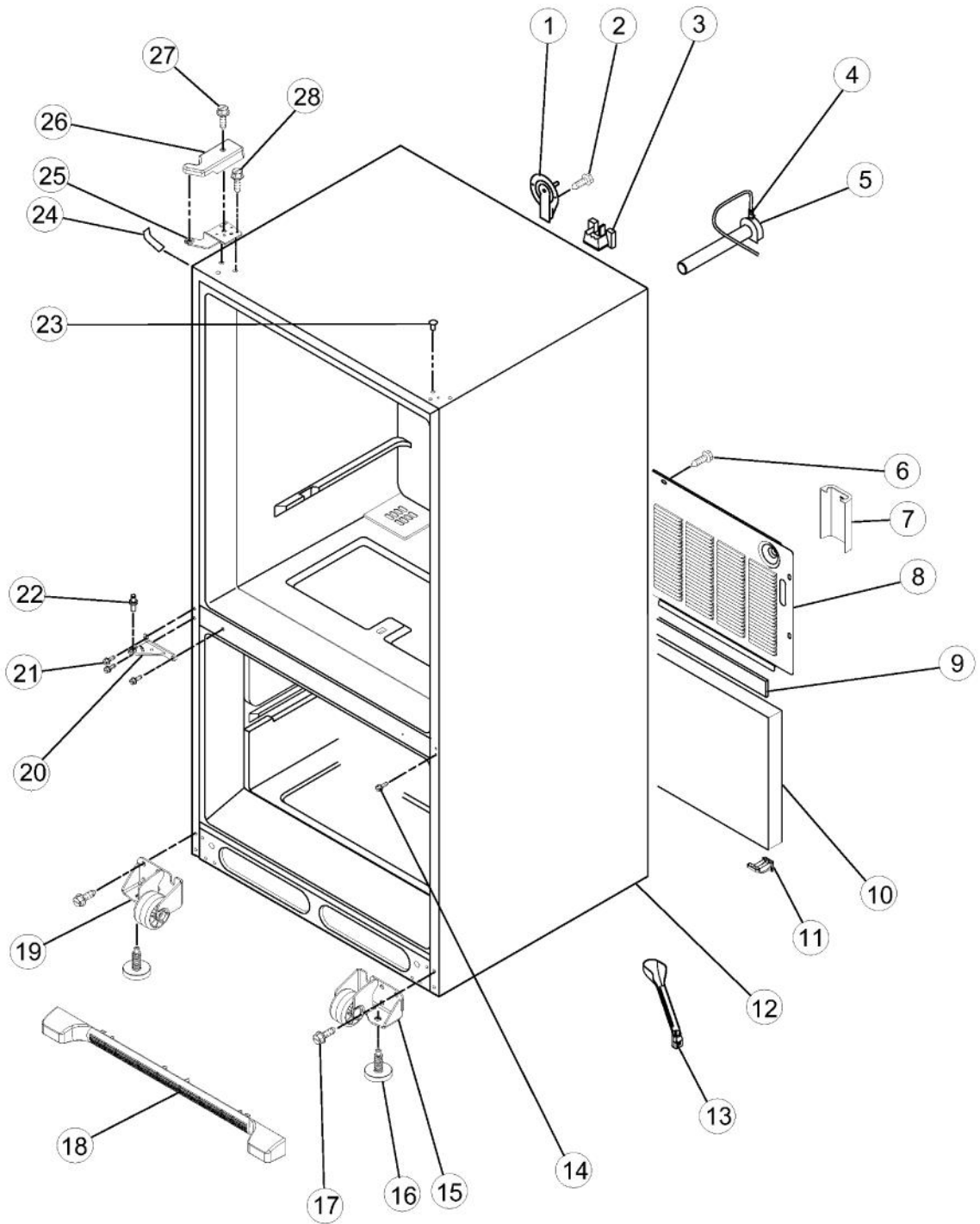
VIKING VCBF136LSS2 Owner's Manual

[Shop genuine replacement parts for VIKING
VCBF136LSS2](#)

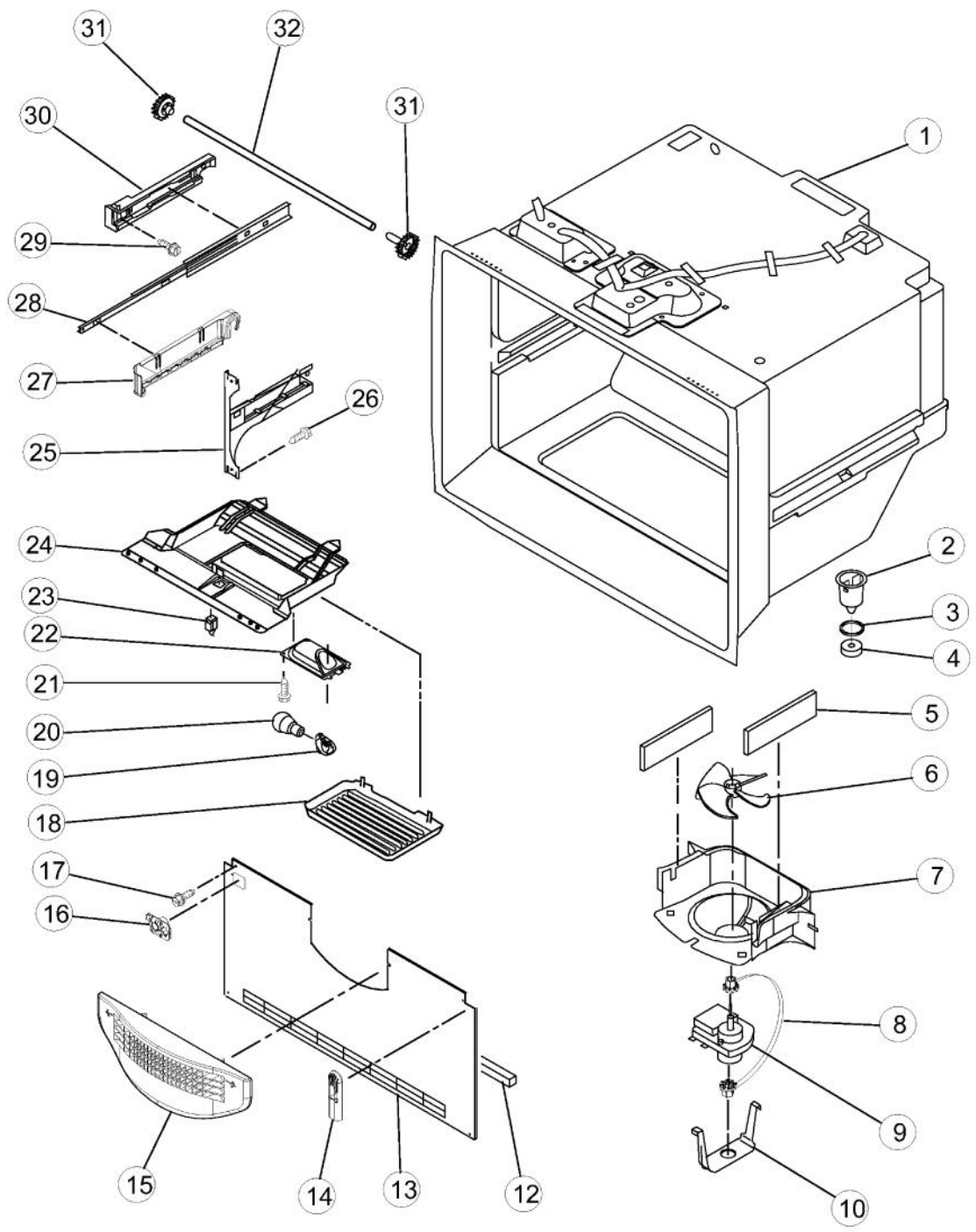


[Find Your VIKING Refrigerator Parts - Select From 341 Models](#)

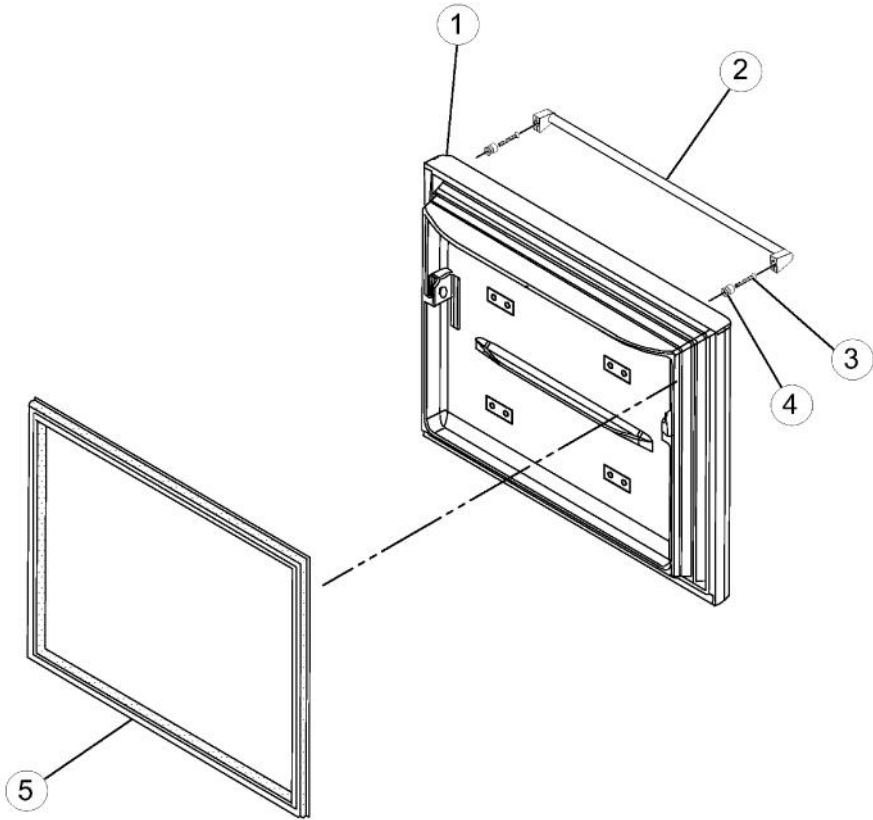
----- Manual continues below -----



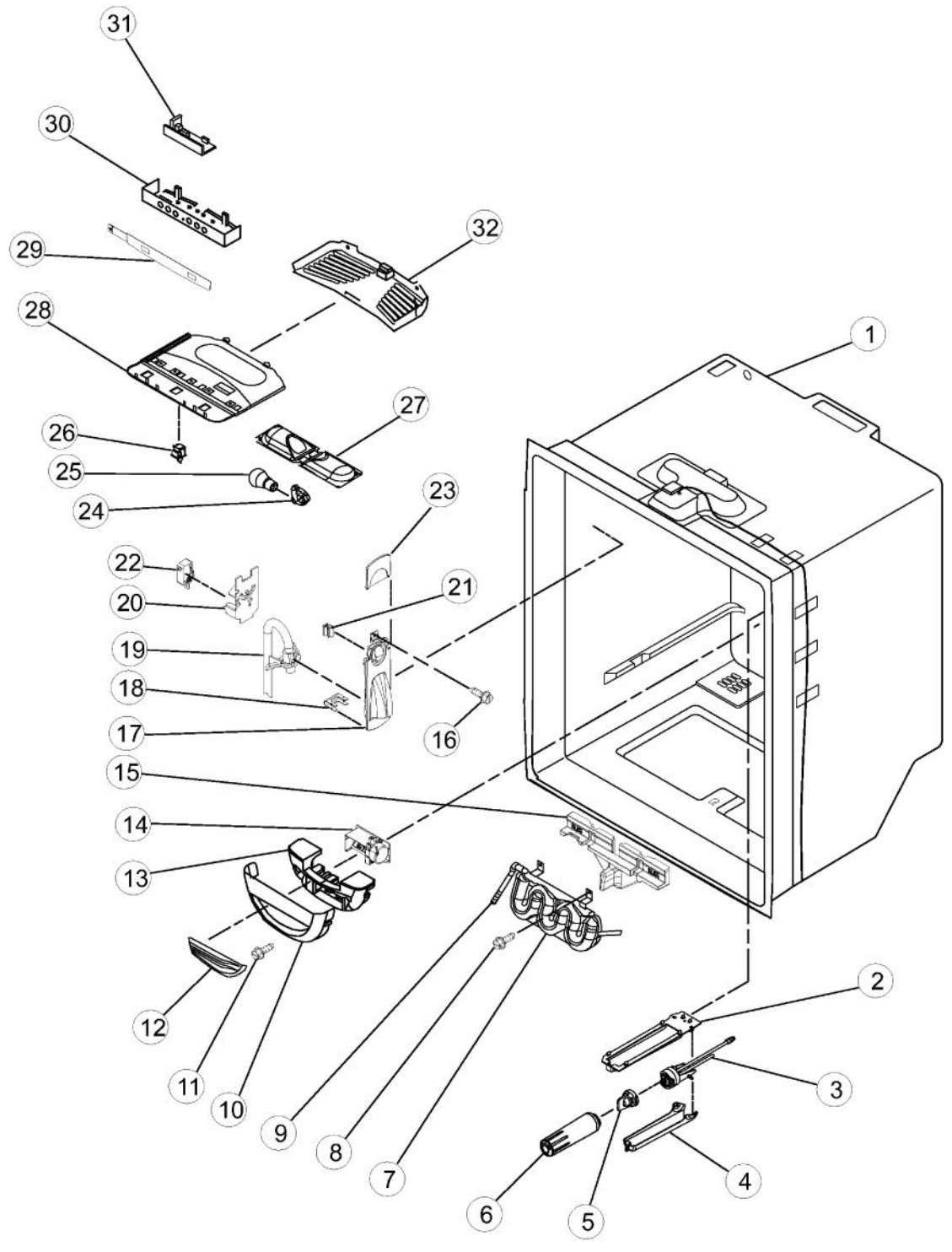
Ref #	Part Number	Qty.	Description
1	021685-000	1	COVER, WATER LINE
2	021711-000	1	SCREW
3	017003-000	2	BLOCK, FILTER
4	021795-000	1	CLIP, SPEED
5	021749-000	1	ELBOW, FILL TUBE
6	021714-000	1	SCREW
7	021820-000	1	COVER-WATER VALVE
8	021823-000	1	COVER, UNIT
9	PS400175	1	GASKET
10	021697-000	1	FIBER, ACOUSTIC
11	021700-000	1	DUAL TUBE SWEEP
12	NON-SERVICEABLE	1	TUB WELDMENT
13	021822-000	1	TUBE, DRAIN
14	021719-000	1	SCREW
15	021847-000	1	ROLLER ASSY., FRONT RIGHT
16	011488-000	1	BRAKE, FOOT
17	021728-000	8	SCREW
18	PS400103	1	TOE GRILLE (BLACK)
19	021848-000	1	ROLLER ASSY., FRONT LEFT
20	020629-000	1	HINGE, DOOR, APOLLO GRAY
21	021730-000	3	SCREW
22	021662-000	1	PIN, CENTER HINGE
23	PS400011	3	PLUG, BUTTON (BLACK)
24	017004-000	1	CORNER COVER (APOLLO GREY)
25	022155-000	1	HINGE, TOP LEFT
26	017001-000	1	COVER, LEFT HINGE (APOLLO GREY)
27	021734-000	1	SCREW
28	021733-000	3	SCREW



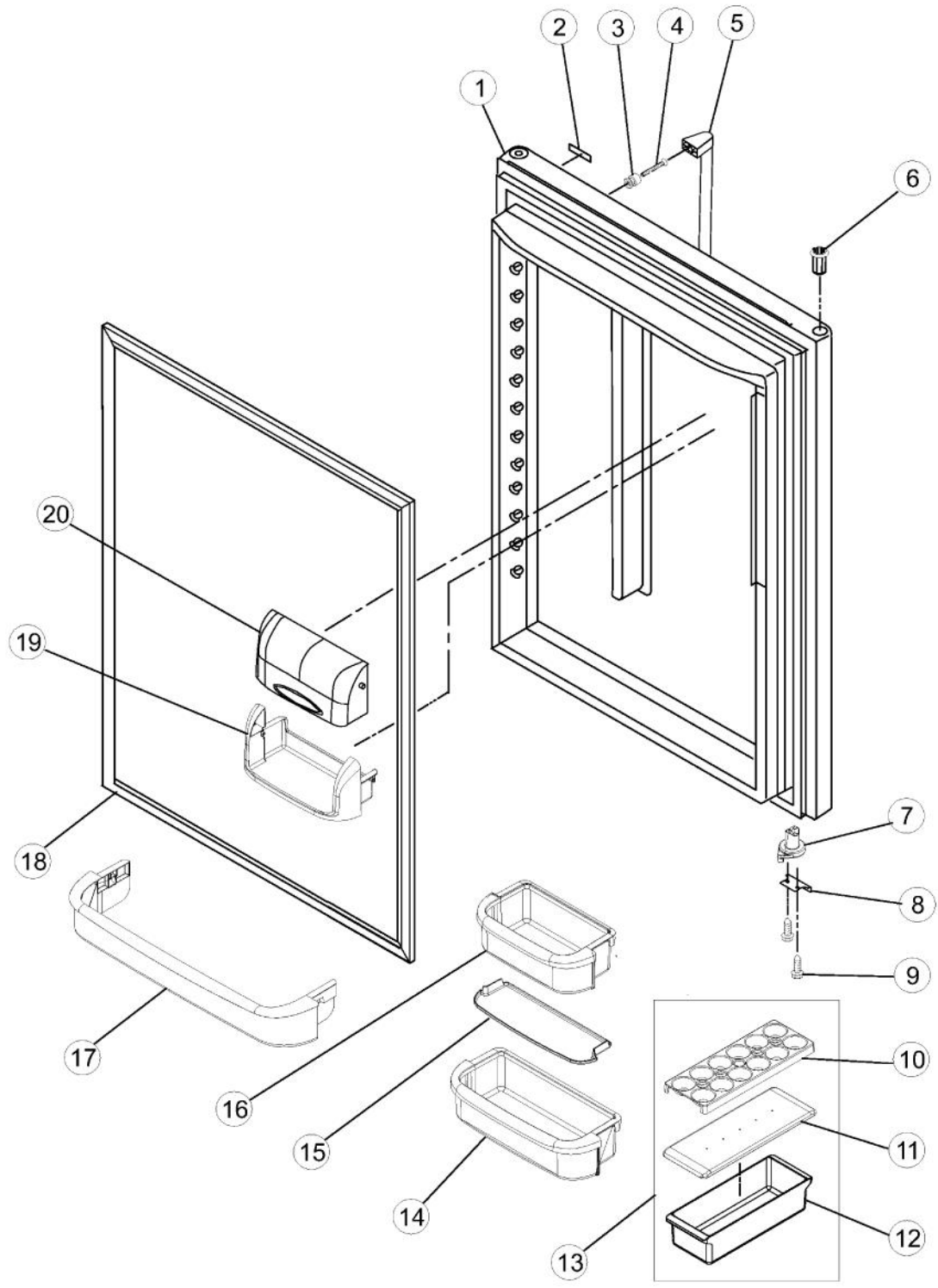
Ref #	Part Number	Qty.	Description
1	NON-SEVICEABLE	1	LINER
2	PS400092	1	FUNNEL, DRAIN
3	PS400091	1	SEAL, O-RING
4	PS400090	1	GASKET, DRAIN TUBE
5	017011-000	1	GASKET, FOAM
6	PS400142	1	FAN, EVAPORATOR
7	021738-000	1	SHROUD, EVAPORATOR FAN
8	011508-000	1	GROMMET
9	022959-000	1	MOTOR, EVAPORATOR
10	PS400124	1	CLIP, EVAPORATOR
12	021788-000	1	GASKET, FOAM
13	021667-000	1	COVER, EVAPORATOR
14	021696-000	1	COVER, THERMISTOR
15	021736-000	1	GRILLE, FZ AIR
16	021704-000	1	GUIDE, FILL TUBE
17	021714-000	4	SCREW
18	021689-000	1	COVER, FREEZER LIGHT
19	021765-000	1	SOCKET, LIGHT
20	021812-000	1	BULB, LIGHT
21	021783-000	1	SCREW
22	021759-000	1	HOUSING, LIGHT
23	021669-000	1	SWITCH, LIGHT
24	021690-000	1	MODULE, FREEZER CONTROL
25	010915-000	1	BRACKET, DOOR, LEFT
26	010916-000	1	BRACKET, DOOR, RIGHT
26	021724-000	8	SCREW
27	021849-000	1	CRADLE, BASKET, LEFT
28	021850-000	1	CRADLE, BASKET, RIGHT
28	021737-000	2	SLIDE, DRAWER
29	021710-000	6	SCREW
30	021840-000	1	ADAPTER, SLIDE, LEFT
31	021841-000	1	ADAPTER, SLIDE - RIGHT
31	PS400100	1	GEAR (LH / RH)
32	021917-000	1	SHAFT, RACK
NI	021836-000	1	HARNESS, FZ MODULE



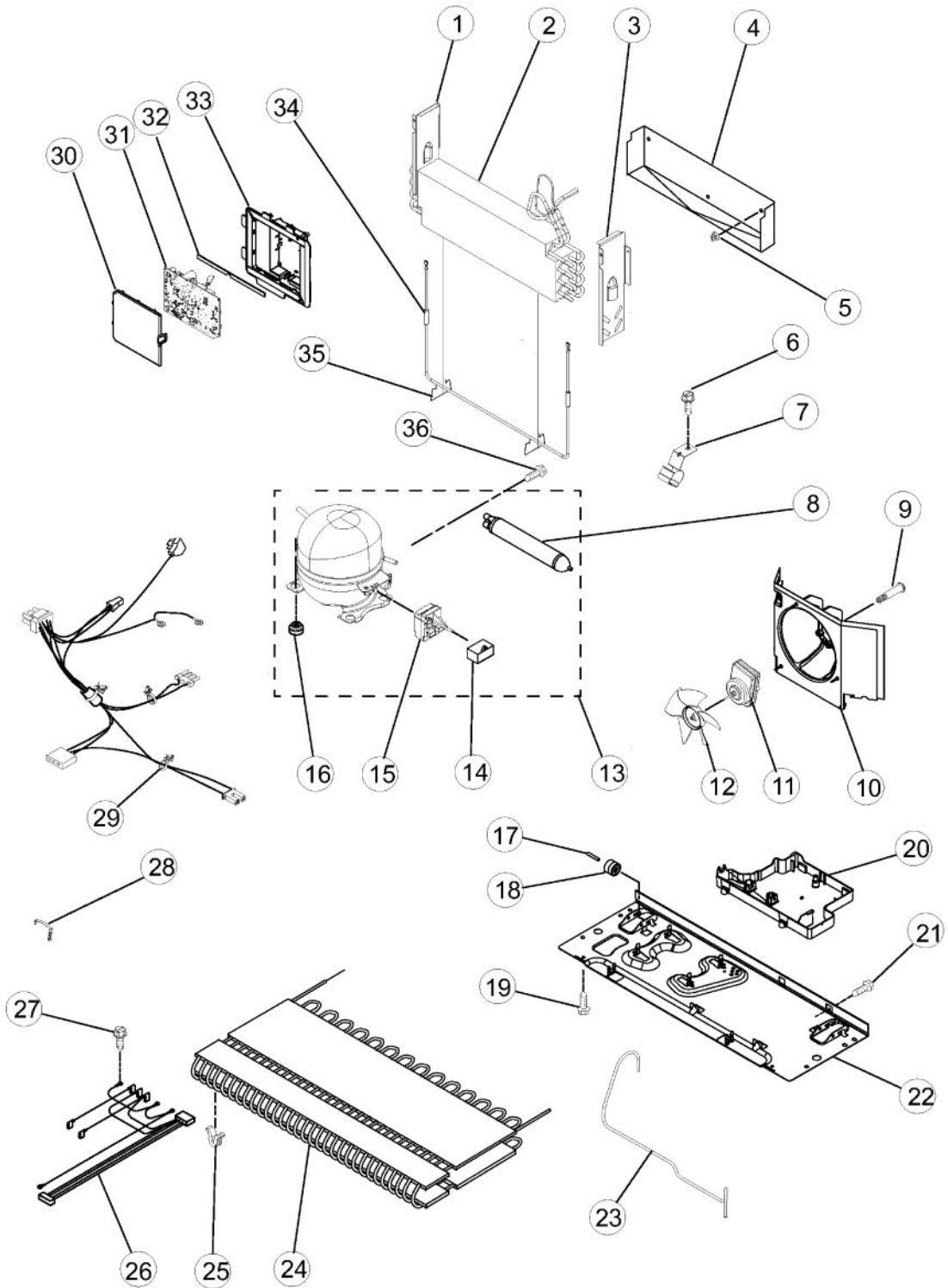
Ref #	Part Number	Qty.	Description
1	021421-000	1	DOOR, FREEZER (SS)
2	021610-000	1	HANDLE, STAINLESS STEEL
3	021918-000	2	SCREW
4	021567-000	2	STUD, HANDLE
5	017032-000	1	GASKET, FREEZER DOOR (BLACK)



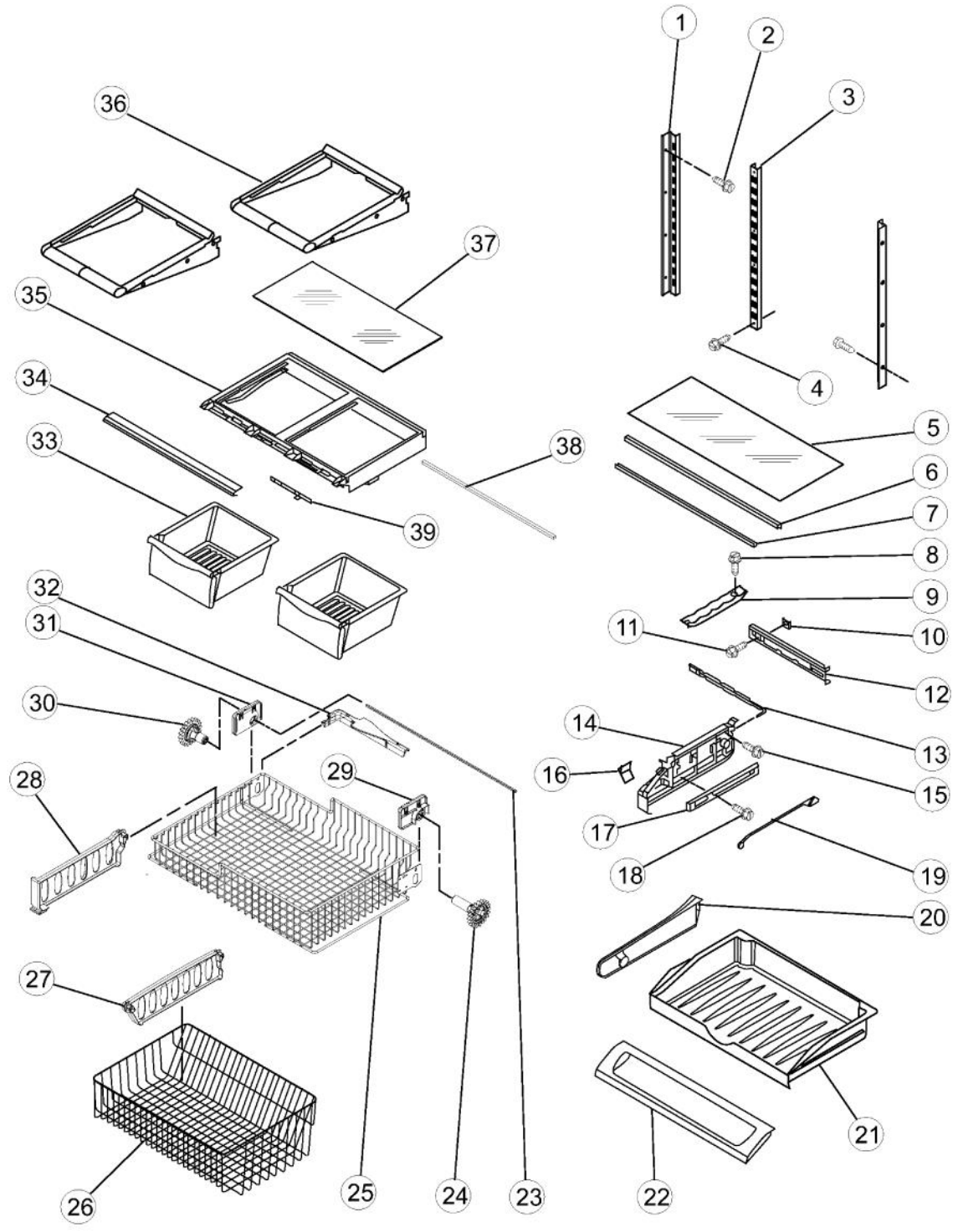
Ref #	Part Number	Qty.	Description
1	NON-SEVICEABLE	1	LINER
2	021681-000	1	PLATE
3	021674-000	1	HEAD, WATER FILTER
4	PS400031	1	COVER, FILTER
5	022157-000	1	PLUG, BYPASS
6	SALES ITEM	1	WATER FILTER
7	021682-000	1	TANK, WATER
8	021717-000	2	SCREW
9	PS400040	1	UNION (5/16 X 5/16)
10	021694-000	1	COVER, DAMPER
11	021725-000	2	SCREW
12	021695-000	1	INSERT, DAMPER COVER
13	017025-000	1	INSULATION
14	021819-000	1	CONTROL, DAMPER
15	017029-000	1	INSULATION, WATER TANK
16	021719-000	2	SCREW
17	017027-000	1	FA?ADE, DISPENSER
18	021757-000	1	WATER LINE CLIP
19	021776-000	1	GUIDE, WATERLINE
20	017028-000	1	PLATE, SWITCH
21	021791-000	2	CLIP, FA?ADE
22	PS400035	1	SWITCH, LIMIT
23	021683-000	1	FA?ADE, DISPENSER (TOP)
24	021765-000	2	SOCKET, LIGHT
25	021812-000	2	BULB, LIGHT
26	021792-000	1	SWITCH, LIGHT
27	021781-000	1	LIGHT HOUSING
28	022158-000	1	LIGHT MODULE
29	022966-000	1	OVERLAY
30	021692-000	1	HOUSING, CONTROL
31	021825-000	1	BOARD, CONTROL
32	021693-000	1	COVER, LIGHT
NI	022967-000	1	HARNESS, CONTROL, REF. (INCLUDES THERMISTOR)



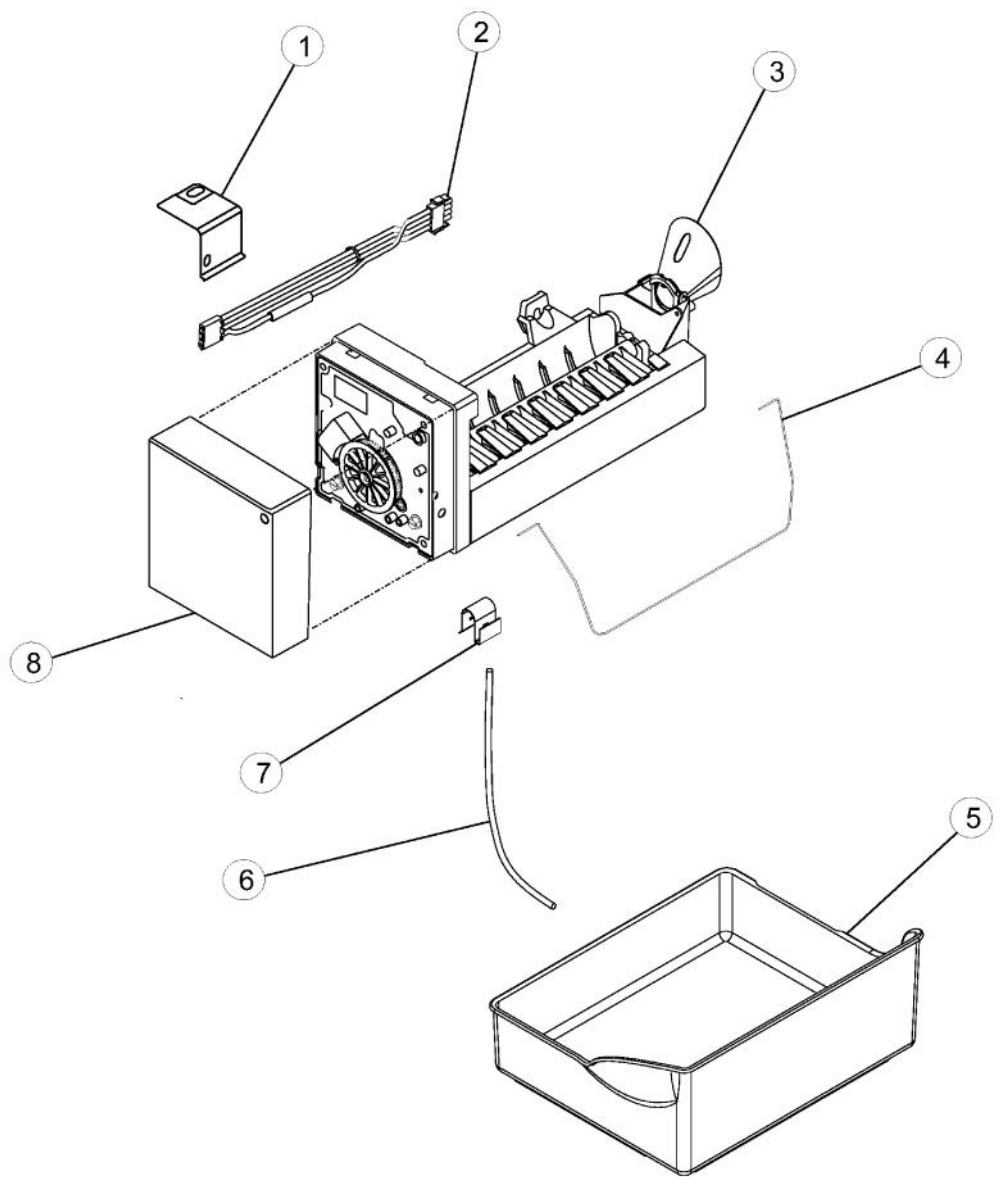
Ref #	Part Number	Qty.	Description
1	028560-000	1	DOOR, REFRIGERATOR-LEFT (SS)
2	SALES ITEM	1	WATER FILTER
3	021567-000	1	STUD, HANDLE
4	021918-000	2	SCREW
5	021610-000	2	HANDLE, STAINLESS STEEL
6	017100-000	2	BUSHING, DOOR - UPPER RIGHT (APOLLO GREY)
7	017103-000	1	CLOSURE, DOOR (APOLLO GREY)
8	017023-000	1	STOP, DOOR (APOLLO GREY)
9	021711-000	1	SCREW
10	017162-000	1	TRAY, EGG
11	017098-000	1	LID, UTILITY
12	017097-000	1	BIN, UTILITY
13	PM910332	1	ACCESORY ASSY
14	022160-000	2	BUCKET, LARGE (W/GRIPPER)
15	022161-000	2	GRIPPER, LARGE
16	021701-000	1	BIN, SHELF (MED-W/GRIPPER)
17	017077-000	1	RETAINER, DOOR
18	022163-000	1	GASKET, DOOR (APOLLO GREY)
19	021758-000	1	TRAY, DAIRY
20	021780-000	1	DOOR, DAIRY
NI	021763-000	1	GRIPPER, MEDIUM BUCKET
NI	SALES ITEM	1	WATER FILTER



Ref #	Part Number	Qty.	Description
1	021665-000	1	DAM, LEFT SIDE
2	021686-000	1	EVAPORATOR
3	021666-000	1	DAM, RIGHT SIDE
4	017109-000	1	TRAY, DRIP
5	PS400124	1	CLIP, EVAPORATOR
6	021726-000	1	SCREW
7	017056-000	1	CLIP, DRIER
8	017051-000	1	DRIER
9	021824-000	1	SCREW, SHOULDER
10	021810-000	1	SHROUD
11	021698-000	1	MOTOR, FAN
12	021699-000	1	BLADE, FAN
13	022164-000	1	COMPRESSOR KIT
14	022969-000	1	CAPACITOR
15	022970-000	1	START DEVICE
16	021750-000	4	GROMMET
17	021671-000	2	AXLE - ROLLER
18	021670-000	2	ROLLER ASSY., REAR
19	021743-000	1	SCREW
20	021853-000	1	PAN, DRAIN
21	021714-000	2	SCREW
22	021821-000	1	BASEPAN
23	028561-000	1	TUBE, DISCHARGE
24	021798-000	1	CONDENSER
25	011560-000	4	GROMMET, CONDENSER
26	028562-000	1	HARNESS, EVAP. HEATER
27	021731-000	1	SCREW, GROUND
28	022972-000	1	STRAP. BAIL
29	022971-000	1	HARNESS, UNIT W/ POWER CORD
30	021705-000	1	LID, HV BOX
31	021816-000	1	BOARD, HV CONTROL (INC. INSTRUCTIONS)
36	021706-000	1	GASKET, HV CONTROL
37	021839-000	1	BOX, HV CONTROL
38	021687-000	1	HEATER, DEFROST
39	011548-000	1	CLIP, HEATER
40	021731-000	1	SCREW, GROUND



Ref #	Part Number	Qty.	Description
1	021838-000	2	LADDER, RH / LH
2	021719-000	5	SCREW
3	021846-000	1	LADDER, CENTER
4	021723-000	2	SCREW
5	021664-000	1	GLASS, PANTRY
6	021773-000	2	SUPPOT, PANTRY
7	017110-000	2	BRACE, PANTRY
8	021719-000	1	SCREW
9	021672-000	1	TRACK, PANTRY
10	021678-000	1	GASKET, PANTRY
11	021719-000	1	SCREW
12	021677-000	1	HOUSING, CONTROL
13	021676-000	4	SLIDE TEMPERATURE
14	PS400076	1	END CAP, LH PANTRY
NI	PS400077	1	END CAP, RH PANTRY
15	021717-000	4	SCREW
16	021771-000	1	KNOB, TEMP CONTROL
17	021786-000	2	GLIDE, DRAWER
18	021711-000	4	SCREW
19	021675-000	1	ROD, TEMP CONTROL
20	021684-000	1	DIVIDER, PANTRY DRAWER
21	022168-000	1	DRAWER, PANTRY
22	021745-000	1	DOOR, PANTRY DRAWER
23	021782-000	1	SHAFT-RACK
24	021805-000	1	GEAR, SHORT-LEFT
26	017125-000	1	BASKET, FREEZER (LOWER)
27	017126-000	1	DIVIDER, LOWER BASKET
25	021809-000	1	BASKET, FREEZER (UPPER)
28	021837-000	1	DIVIDER, UPPER BASKET
29	021834-000	1	MOUNT-GEAR - RIGHT
30	021800-000	1	GEAR, LONG-RIGHT
31	021833-000	1	MOUNT-GEAR - LEFT
32	021801-000	1	LIFT-BALL ARM
33	021761-000	2	CRISPER PAN
34	021832-000	1	TRIM, CRISPER
35	021762-000	1	FRAME, CRISPER
36	017076-000	4	GLIDE, PANTRY DRAWER
37	021744-000	1	GLASS, CRISPER
38	021755-000	1	BRACE, CRISPER
39	021760-000	1	SLIDE, HUMIDITY CONTROL



Ref #	Part Number	Qty.	Description
1	011577-000	1	BRACKET, ICE MAKER
2	021793-000	1	HARNESS, ICE MAKER
3	021811-000	1	ICEMAKER ASSY
4	021702-000	1	ARM, SHUTOFF
5	017060-000	1	PAN, ICE
6	021789-000	1	TUBING, PLASTIC
7	017065-000	1	CLIP
8	PS400368	1	COVER, ICE MAKER
NI	PS400208	1	COUPLING (10244904)