

This Owner's Manual is provided and hosted by [Appliance Factory Parts](#).

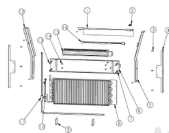


VIKING

VCFB304JMAG-RSERIES

Owner's Manual

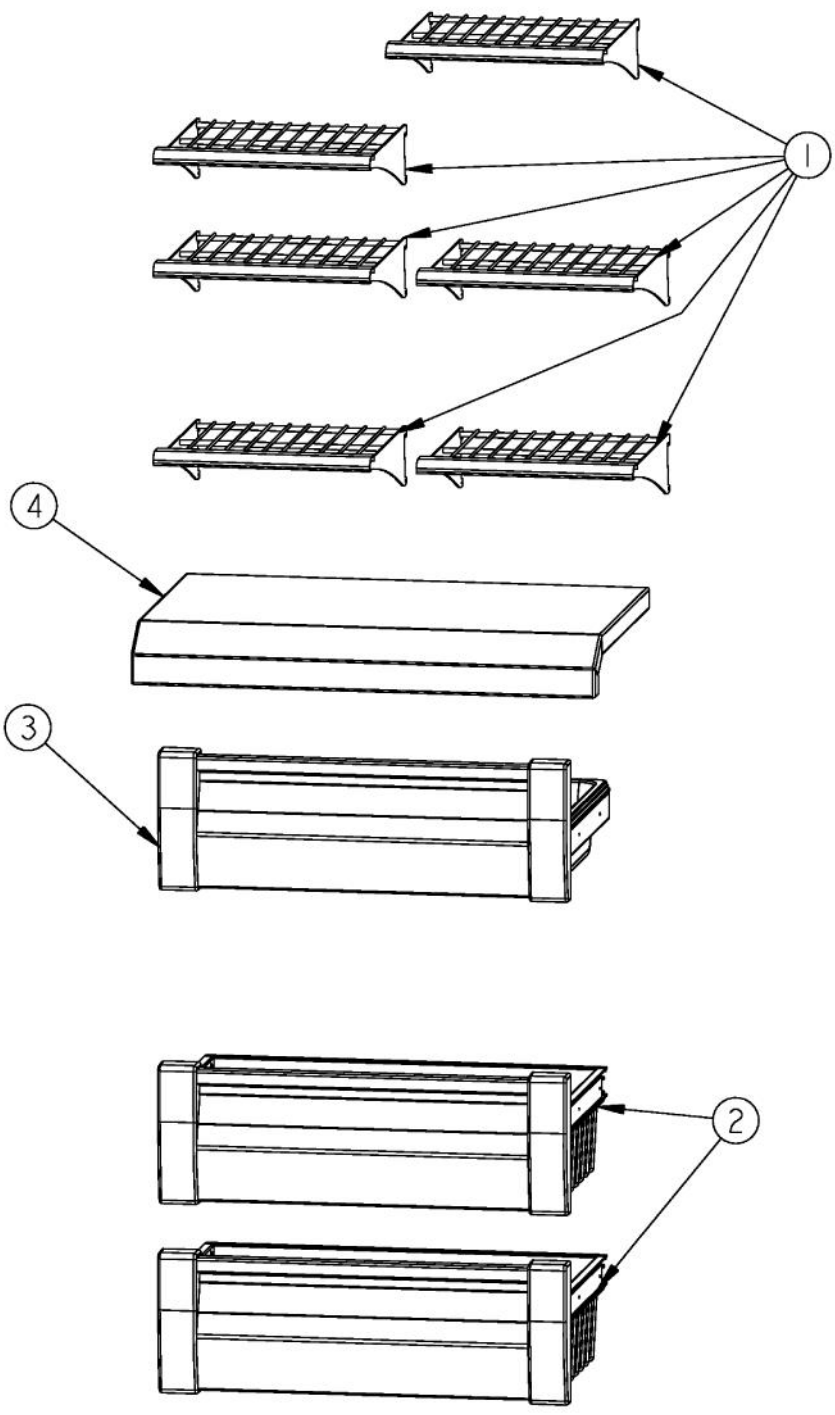
[Shop genuine replacement parts for VIKING](#)
[VCFB304JMAG-RSERIES](#)



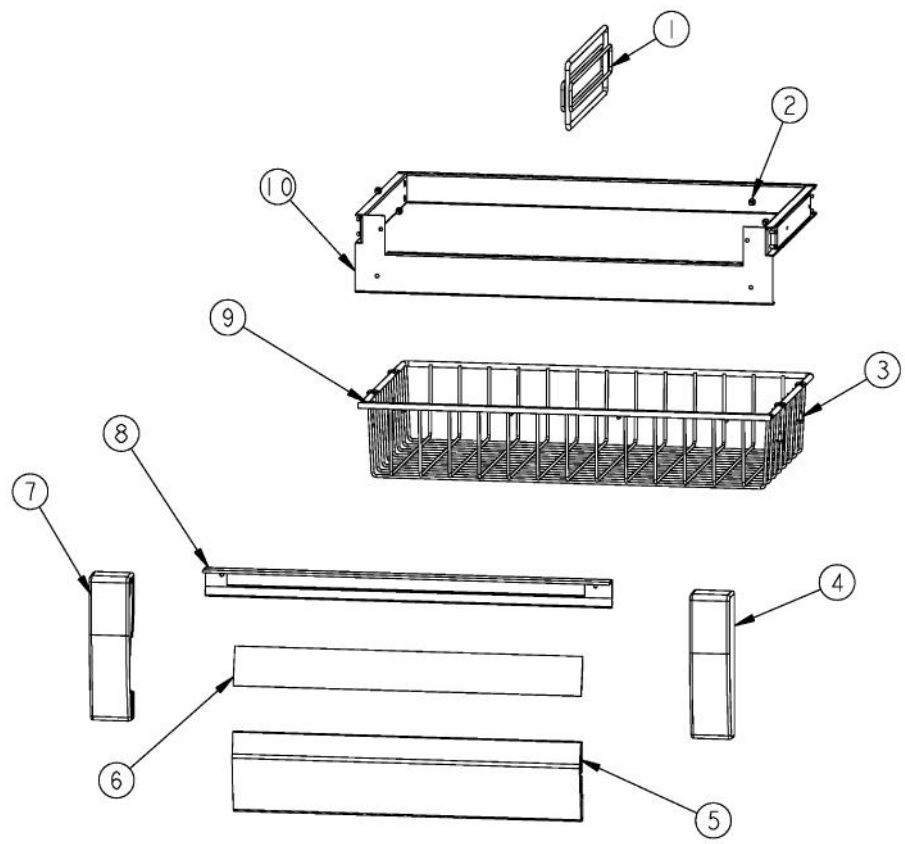
Appliance Factory Parts
© http://www.appliancefactoryparts.com

[Find Your VIKING Refrigerator Parts - Select From 341 Models](#)

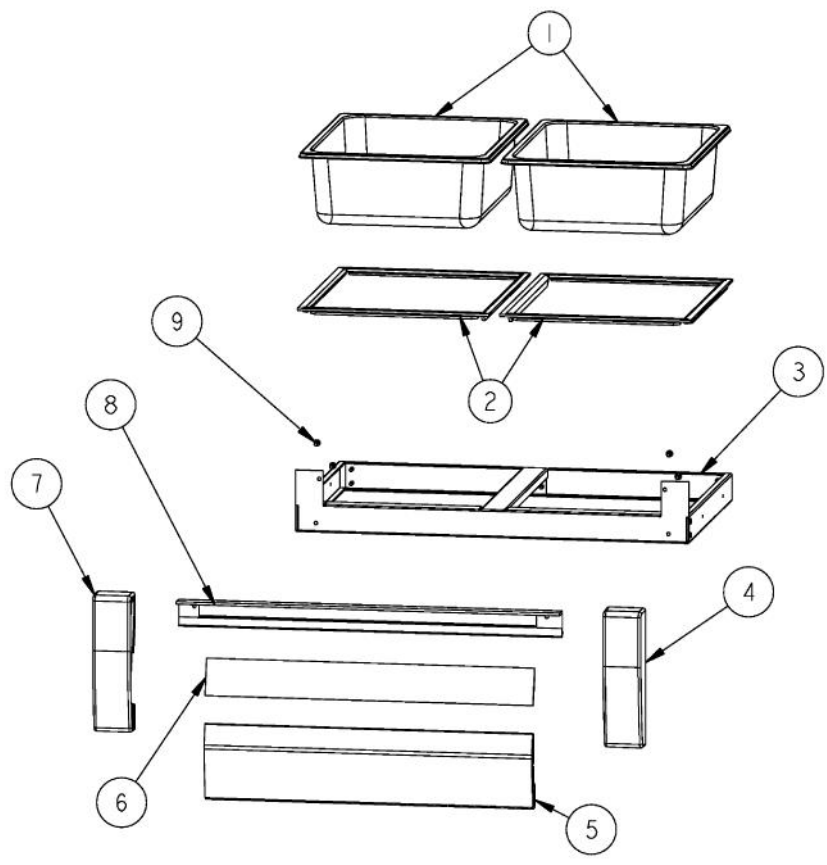
----- Manual continues below -----



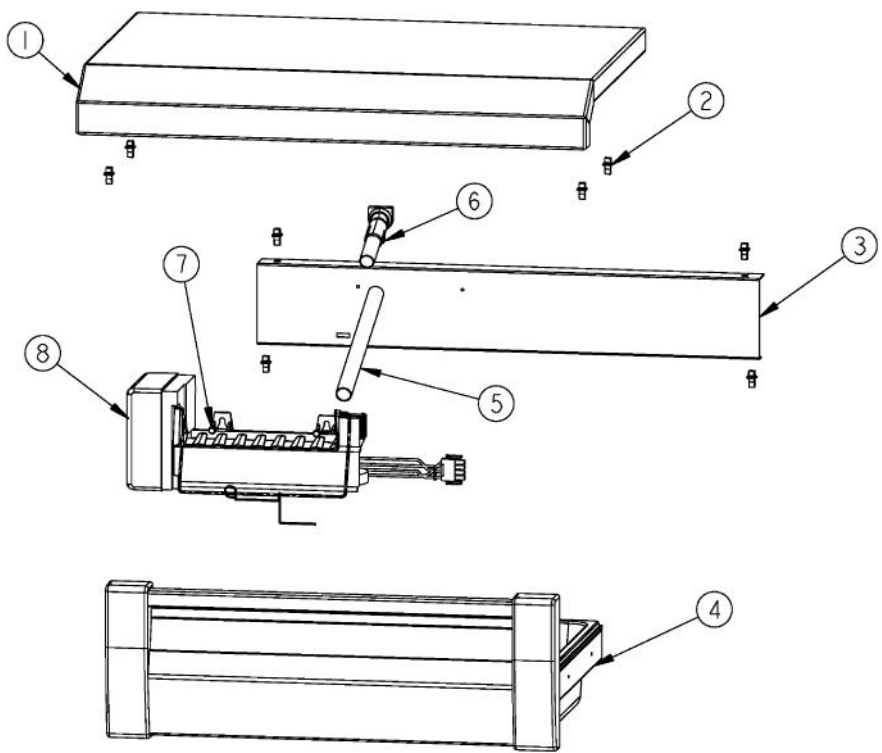
Ref #	Part Number	Qty.	Description
1	PM910405		SHELF WIRE AF 30
2	G50911315		DRAWER BASKET ASM AF 30 FOR BREAKDOWN SEE PAGE 002
3	G50911316		DRAWER ICE ASM AF 30 FOR BREAKDOWN SEE PAGE 003
4	G50911931		SHELF ICE ASM UPPER AF 30 FOR BREAKDOWN SEE PAGE 004



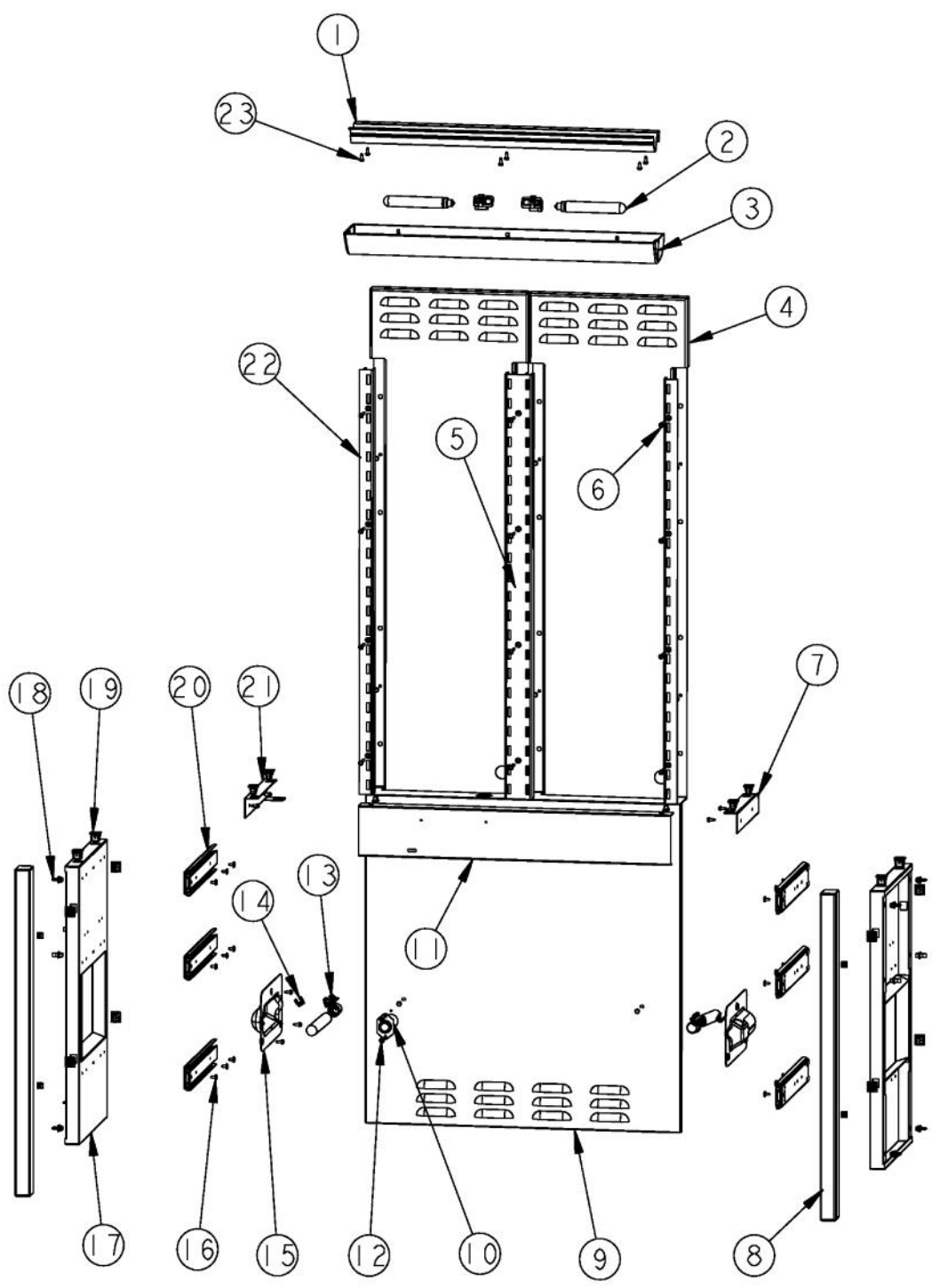
Ref #	Part Number	Qty.	Description
1	PM910439		DIVIDER BASKET WIRE AF 36
2	PD920161		SCR 8-16 PLASTITE PNP 3/8 S
3	PD020194		SCREW-SM
4	PK930316		ENDTRIM ICE DRAWER R
5	PK920061		EXTRUSION DRAWER FRONT AF 30
6	PE940233		GLASS DRAWER ICE AF 30
7	PK930317		ENDTRIM ICE DRAWER L
8	PK920060		EXTRUSION DRAWER CAP AF 30
9	PM910402		BASKET WIRE AF 30
10	G90911313WH		FRAME BASKET DRAWER ASM AF 30 XWHX
NI	G50911315		DRAWER BASKET ASM AF 30



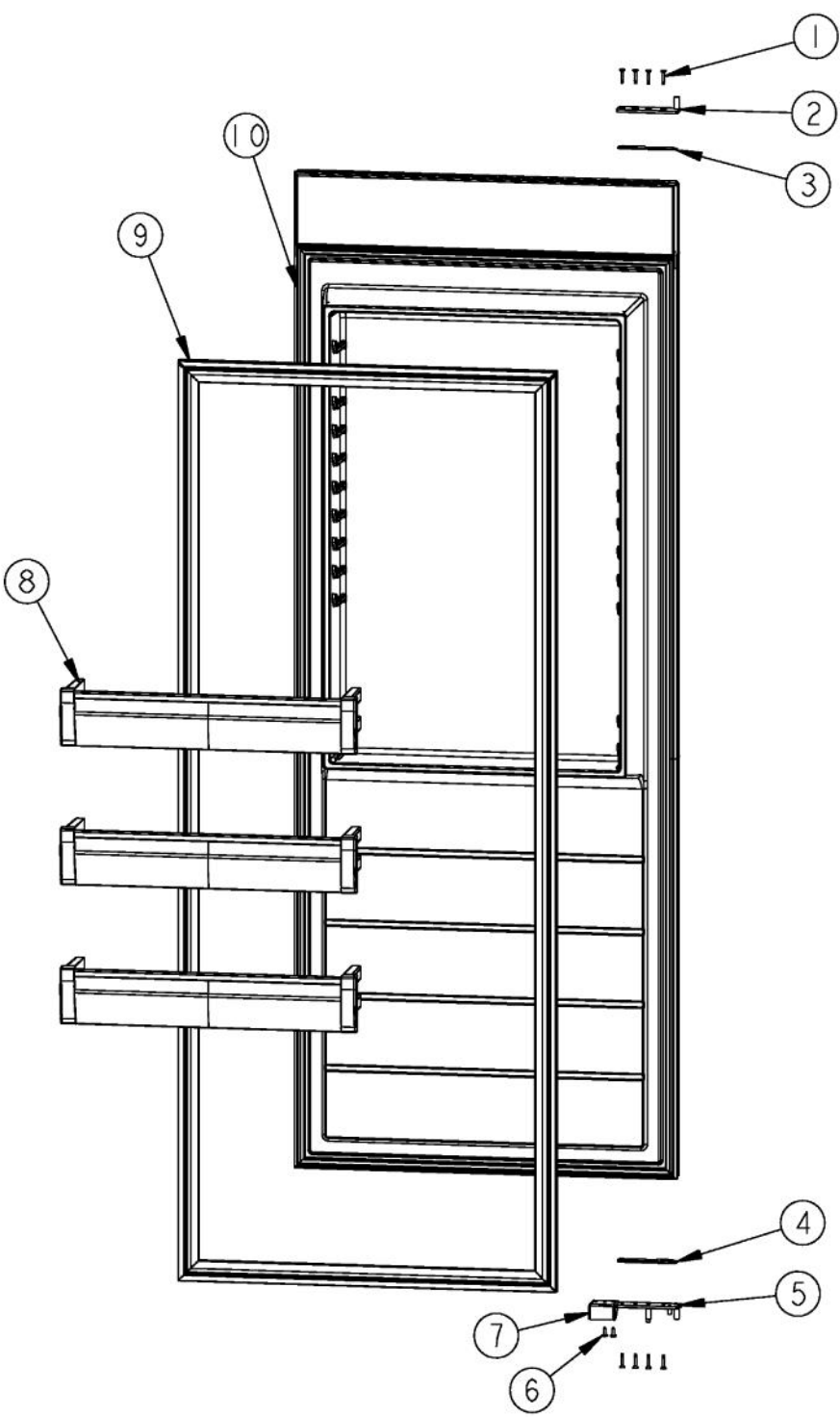
Ref #	Part Number	Qty.	Description
1	PM910461		PAN ICE AF 36 30
2	PB970211		GASKET FRAME AF 30 & 36
3	G90911314WH		FRAME ICE DRAWER ASM AF 30 XWHX
4	PK930316		ENDTRIM ICE DRAWER R
5	PK920061		EXTRUSION DRAWER FRONT AF 30
6	PE940233		GLASS DRAWER ICE AF 30
7	PK930317		ENDTRIM ICE DRAWER L
8	PK920060		EXTRUSION DRAWER CAP AF 30
9	PD920161		SCR 8-16 PLASTITE PNP 3/8 S
NI	G50911316		DRAWER ICE ASM AF 30



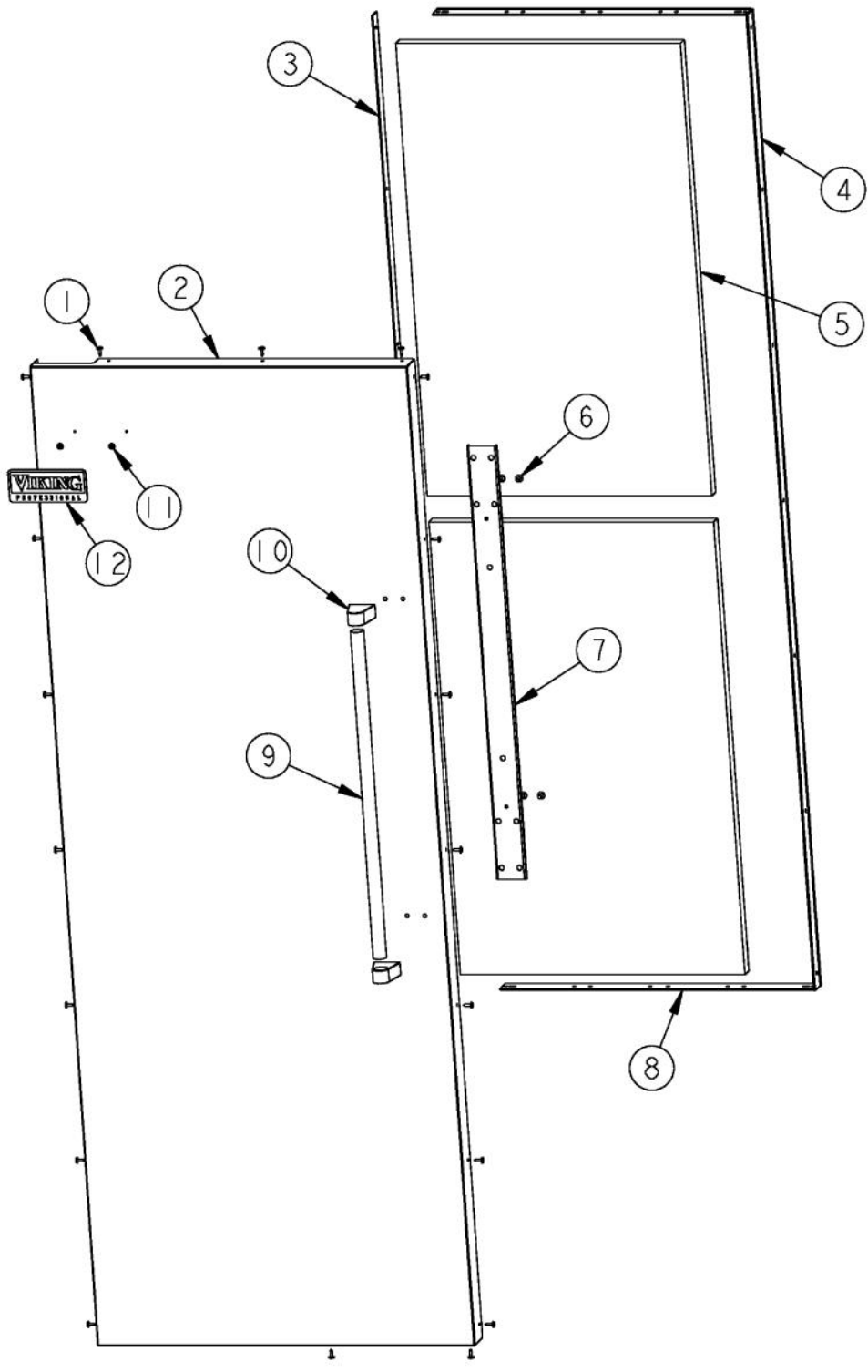
Ref #	Part Number	Qty.	Description
1	C90911930		ASM PAINT SHELF COVER AF 36
2	PD950012		STRIKE PANEL ACCESS
3	C90911142WH		PLATE IN MOUNT AF 30 XWHX
4	G50911316		DRAWER ICE ASM AF 30 FOR BREAKDOWN SEE PAGE 003
5	A3127415		EXT-FILL TUBE
6	G5096419		FILL TUBE ASSY 10942511
7	PD020194		SCREW-SM
8	G50911851		ICE MAKER ASM, SXS ND, AF
NI	G50911931		SHELF ICE ASM UPPER AF 30



Ref #	Part Number	Qty.	Description
1	L2099492		BRACKET LIGHT SXS 48 FF
2	A3079001		LAMP - 40W
3	PK930268		COVER LIGHT ASM AF AR 30 SXS 48 FF
4	L2099055		EVAP COVER UPPER AF 30
5	PM910285		LADDER CENTER
6	M0238535		SCREW-SM
7	K20911929		BRACKET ICE SHELF R
8	C90910784WH		COVER SIDE ASM XWHX
9	L20911932		COVER EVAP LOWER AF 30
10	C8983701		THERMISTOR
11	C90911142WH		PLATE IN MOUNT AF 30 XWHX
12	M0211014		SCREW-SM
13	PE950125		LIGHT SOCKET
14	B5733302		CLIP-GROUND
15	10270203		HOUSING-LIGHT V10270203
16	PD020032		SRW-8(A)X3/8PH.WFR HD 7/16DIAXNICL
17	G90911311		BRKT SIDE GLIDE MOUNT -WH
18	PD950012		STRIKE PANEL ACCESS
19	PD950013		LATCH PANEL ACCESS
20	PC080031		SLIDE 12 FULL EXTENSION
21	K20911928		BRACKET ICE SHELF L
22	PM910282		LADDER SIDE
23	PD020194		SCREW-SM

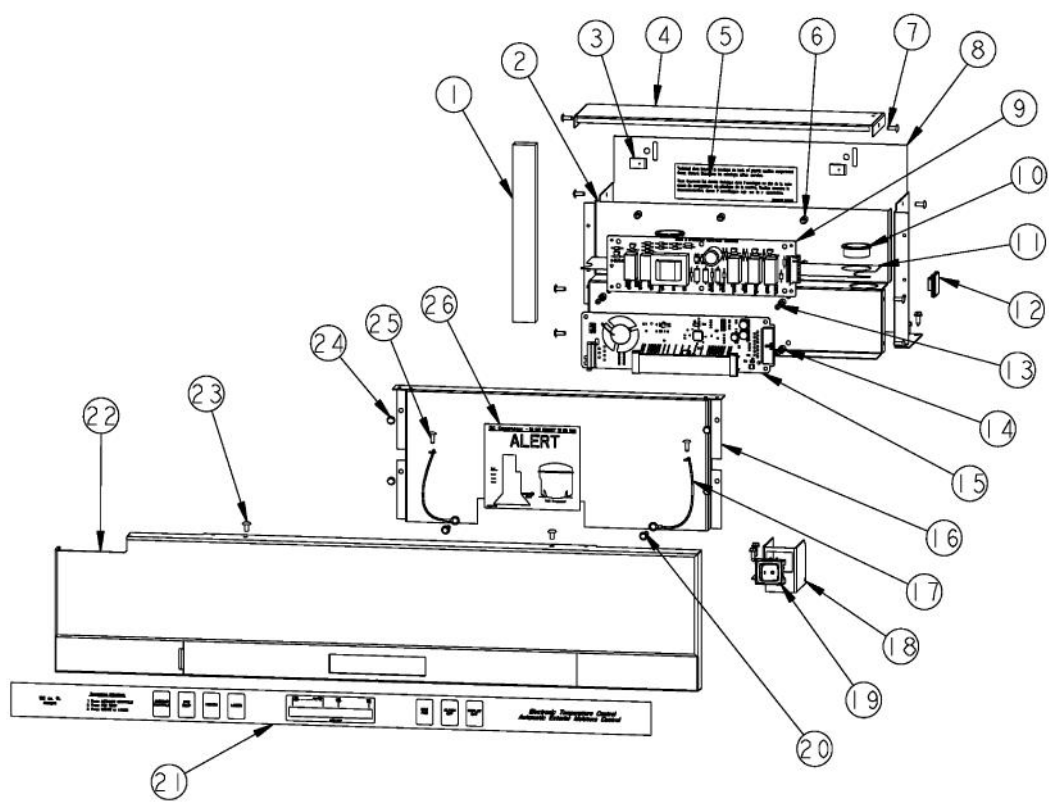


Ref #	Part Number	Qty.	Description
1	PD920174		10-32 TORX HEAD SCREW
2	PC020279		PIVOT PL ASM LH UP PRO/DES
	PC020278		PIVOT PL ASM RH UP PRO/DES
3	PD040162		SPACER-DOOR HINGE
4	001617-000		SPACER,NYL,PIVOT PLATE
5	PC020277		PIVOT PL ASM LH LW PRO/DES
	PC020276		PIVOT PL ASM RH LW PRO/DES
6	M0210458		SCREW-SM
7	PD050019		STRIKER DOOR SWITCH
8	G5099904		DOORBIN ASM AF 30
9	PB070333	1	DOOR GASKET 30AR 30AF (BEFORE 06-10-08)
9	005448-000	1	GASKET,ASM,30,AFAR (ON OR AFTER 06-10-08)
10	G32915042		DOOR ASM AF 30 (INCLUDES GASKET)

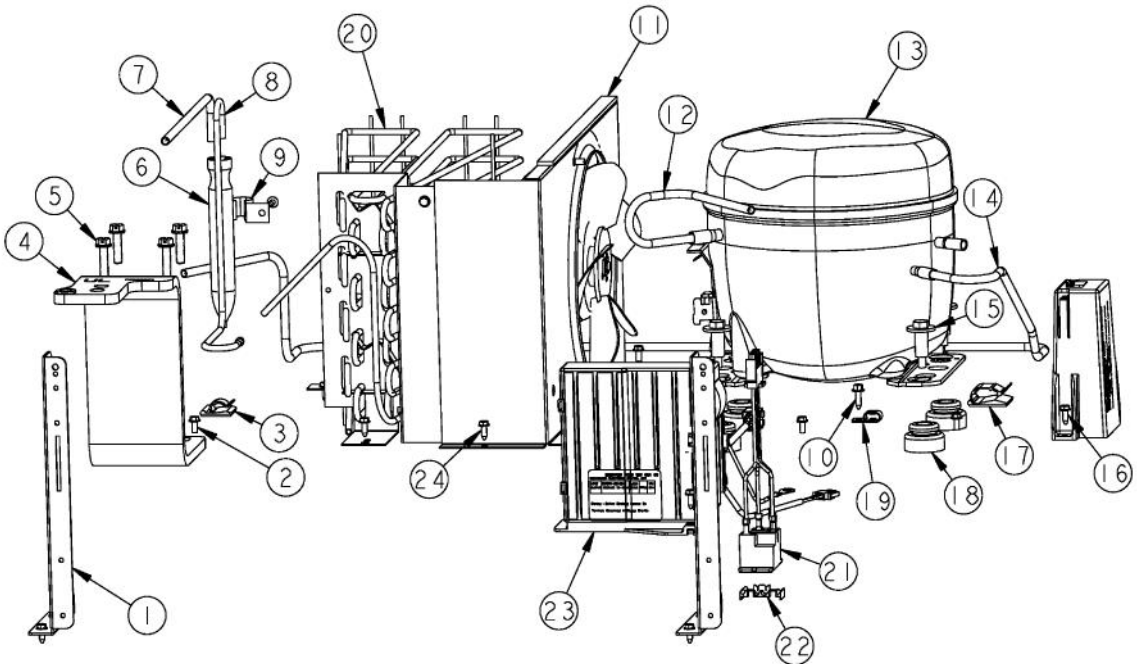


Ref #	Part Number	Qty.	Description
1	M0210458		SCREW-SM
2	B20915906		DOOR SKIN AF AR 30 PRO R
	L20915906WH		DOOR SKIN AF AR 30 PRO R
	C90915906AL		DOOR SKIN AF AR 30 PRO R (BEFORE 01/01/08)
	C90915906BT		DOOR SKIN AF AR 30 PRO R (BEFORE 01/01/08)
	C90915905EP		DOOR SKIN AF AR 30 PRO L (BEFORE 01/01/08)
	C90915906FG		DOOR SKIN AF AR 30 PRO R (BEFORE 01/01/08)
	C90915906BK		DOOR SKIN AF AR 30 PRO R
	C90915906BU		DOOR SKIN AF AR 30 PRO R
	C90915906CB		DOOR SKIN AF AR 30 PRO R
	C90915906GG		DOOR SKIN AF AR 30 PRO R
	C90915906SG		DOOR SKIN AF AR 30 PRO R
	C90915906VB		DOOR SKIN AF AR 30 PRO R
	C90915906AR		DOOR SKIN AF AR 30 PRO R (AFTER 01/01/08)
	C90915906CH		DOOR SKIN AF AR 30 PRO R (AFTER 01/01/08)
	C90915906CW		DOOR SKIN AF AR 30 PRO R (AFTER 01/01/08)
	C90915906GM		DOOR SKIN AF AR 30 PRO R (AFTER 01/01/08)
	C90915906IB		DOOR SKIN AF AR 30 PRO R (AFTER 01/01/08)
	C90915906MS		DOOR SKIN AF AR 30 PRO R (AFTER 01/01/08)
	C90915906OG		DOOR SKIN AF AR 30 PRO R (AFTER 01/01/08)
	C90915906PL		DOOR SKIN AF AR 30 PRO R (AFTER 01/01/08)
	C90915906PM		DOOR SKIN AF AR 30 PRO R (AFTER 01/01/08)
	C90915906RR		DOOR SKIN AF AR 30 PRO R (AFTER 01/01/08)
	C90915906SA		DOOR SKIN AF AR 30 PRO R (AFTER 01/01/08)
	C90915906SE		DOOR SKIN AF AR 30 PRO R (AFTER 01/01/08)
	C90915906TP		DOOR SKIN AF AR 30 PRO R (AFTER 01/01/08)
	B20915905		DOOR SKIN AF AR 30 PRO L
	L20915905WH		DOOR SKIN AF AR 30 PRO L
	C90915905AL		DOOR SKIN AF AR 30 PRO L (BEFORE 01/01/08)
	C90915905BT		DOOR SKIN AF AR 30 PRO L (BEFORE 01/01/08)
	C90915905EP		DOOR SKIN AF AR 30 PRO L (BEFORE 01/01/08)
	C90915905FG		DOOR SKIN AF AR 30 PRO L (BEFORE 01/01/08)
	C90915905BK		DOOR SKIN AF AR 30 PRO L
	C90915905BU		DOOR SKIN AF AR 30 PRO L
	C90915905CB		DOOR SKIN AF AR 30 PRO L
	C90915905GG		DOOR SKIN AF AR 30 PRO L
	C90915905SG		DOOR SKIN AF AR 30 PRO L
	C90915905VB		DOOR SKIN AF AR 30 PRO L
	C90915905AR		DOOR SKIN AF AR 30 PRO L

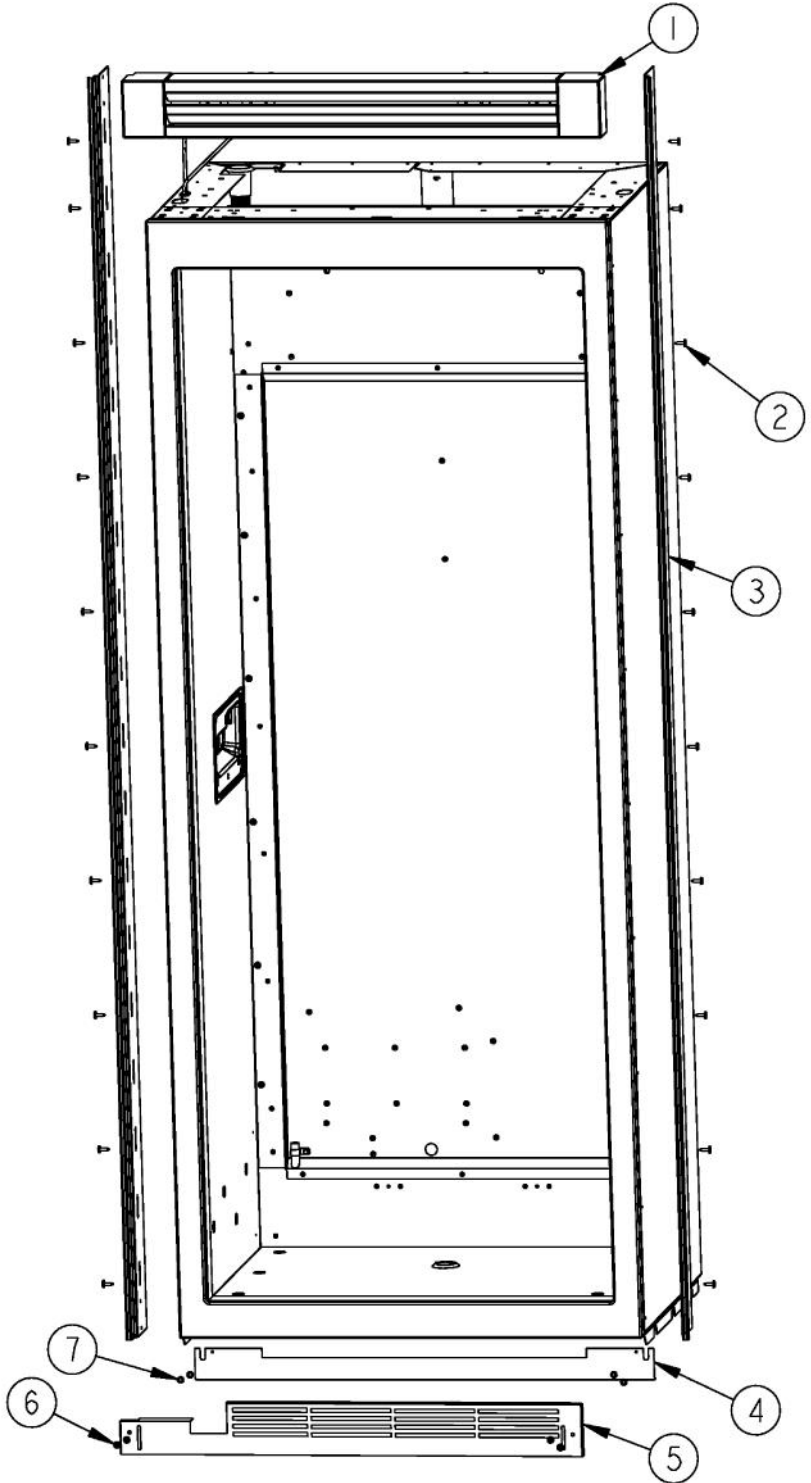
Ref #	Part Number	Qty.	Description
	C90915905AR		DOOR SKIN AF AR 30 PRO L (AFTER 01/01/08)
	C90915905CH		DOOR SKIN AF AR 30 PRO L (AFTER 01/01/08)
	C90915905CW		DOOR SKIN AF AR 30 PRO L (AFTER 01/01/08)
	C90915905GM		DOOR SKIN AF AR 30 PRO L (AFTER 01/01/08)
	C90915905IB		DOOR SKIN AF AR 30 PRO L (AFTER 01/01/08)
	C90915905MS		DOOR SKIN AF AR 30 PRO L (AFTER 01/01/08)
	C90915905OG		DOOR SKIN AF AR 30 PRO L (AFTER 01/01/08)
	C90915905PL		DOOR SKIN AF AR 30 PRO L (AFTER 01/01/08)
	C90915905PM		DOOR SKIN AF AR 30 PRO L (AFTER 01/01/08)
	C90915905RR		DOOR SKIN AF AR 30 PRO L (AFTER 01/01/08)
	C90915905SA		DOOR SKIN AF AR 30 PRO L (AFTER 01/01/08)
	C90915905SE		DOOR SKIN AF AR 30 PRO L (AFTER 01/01/08)
	C90915905TP		DOOR SKIN AF AR 30 PRO L (AFTER 01/01/08)
3	PD940087		SPACER DOOR SKIN-HINGE SIDE (75.1) (LH MODELS)
	PE940176		TRIM - DOOR SXS PRO SIDES (RH MODELS)
4	PE940176		TRIM - DOOR SXS PRO SIDES (LH MODELS)
	PD940087		SPACER DOOR SKIN-HINGE SIDE (75.1) (RH MODELS)
5	PM910393		BLOCK - EPS REF DR SXS 48
6	M0204303		SCREW-MACH
7	K2097526		BRACKET - HANDLE SUPPORT
8	PK030556		TRIM DOOR BULLNOSE 30 TOP/BOT
9	PE930101		VCSB482 HANDLE -(12466403)
	PE030173PVD		BRASS HANDLE
10	PE030001		BRACKET, DOOR, HANDLE
	PE030001PVD		END CAP DOOR HANDLE XBR
11	PD030006		CAPPED WASHER PAL NUT
12	PE010030		LOGO, 6, PRO, BK
	PE010068		LOGO, 6, PRO, BK/BR
	PE010031		LOGO 6 (VGRC) XBK/WHX
	PE010076		LOGO 6 (VGRC) XBR/WHX



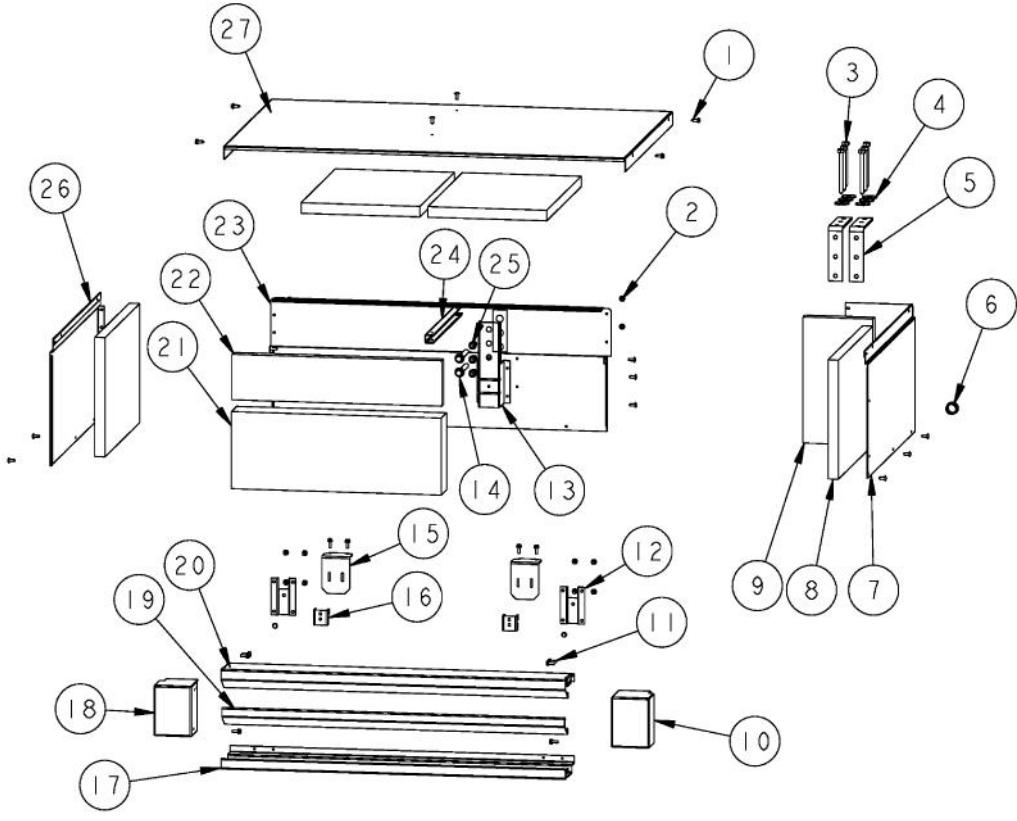
Ref #	Part Number	Qty.	Description
1	A3030361		GASKET, RED
2	K20910060		BRACKET - PC
3	M0288120		NUT-SPEED, VM0288120
4	K20915000		CONTROL BOX TOP
5	PF930487		TECH LITERATURE LABEL - 2
6	M0585504		SUPPORT
7	PC040010		POP RIVET
8	K2099402		CONTROL BOX
9	PE970463		POWER CONTROL BOARD
10	A4554817		BUSHING-SNAP VA4554817
11	PM910325		FILM PROTECTIVE
12	M0104106		CLIP-CORD VM0104106
13	PD020013		TYPE AB NO.6 X 3/8 PH PAN HD. SMS
14	M0585506		SUPPORT
15	PE070728		BOARD LOW VOLTAGE
16	K20910061		CONTROL BOX FRONT
17	12064001		SUPP-CONT PANEL
18	K2098654		BRACKET SWITCH POWER
19	PE950149		SWITCH POWER
20	M0238846		SCREW-SHLDR
21	PE950182		OVERLAY SWITCH AF 30
22	PK930220		PANEL COVER CONTROL
	PK930332		PANEL CONTROL AF 30 R
23	M0224128		SCREW-SM
24	PD020194		SCREW-SM
25	PC040010		POP RIVET
26	PF930672		LABEL DC COMPRESSOR



Ref #	Part Number	Qty.	Description
1	K20912569		BRACKET GRILLE SUPPORT
2	PD020010		10 X 3/8 GREEN GROUNDING SCREW
3	M0104106		CLIP-CORD VM0104106
4	PC920204		HINGE ASM UL
	PC920203		HINGE ASM UR
5	000570-000		HEX SCREW
6	10743201		DRIER, HI SIDE
7	F2097740		TUBE PROCESS
8	F2096669		TUBE-DRIER COND
9	10547001		CLIP-DRIER V10547001
10	PD020195		SCR 8-18 X 5/8
11	G5096494		COND. FAN ASSY
12	F2096507		TUBE-PROCESS GRN
13	G5097976		COMPRESSOR ASSEMBLY (363 AND 483) (INCLUDES DRIER)
14	F20910729		TUBE DISCHARGE FORMED AF AR 36
15	M0221523		SCREW - SHLDR
16	PE970608		POWER SUPPLY 24 VDC 15 W
17	M0104102		CLIP-CORD RED
18	10835901		GROMMET RUBBER V10835901
19	002573-000		CLAMP CORD
20	PB920171		CONDENSER ASM
21	G50915958		ASM AR SABBATH MODE RELAY
22	M0327801		SPLICE TAP
23	PE070849		INVERTER
24	PD020194		SCREW-SM

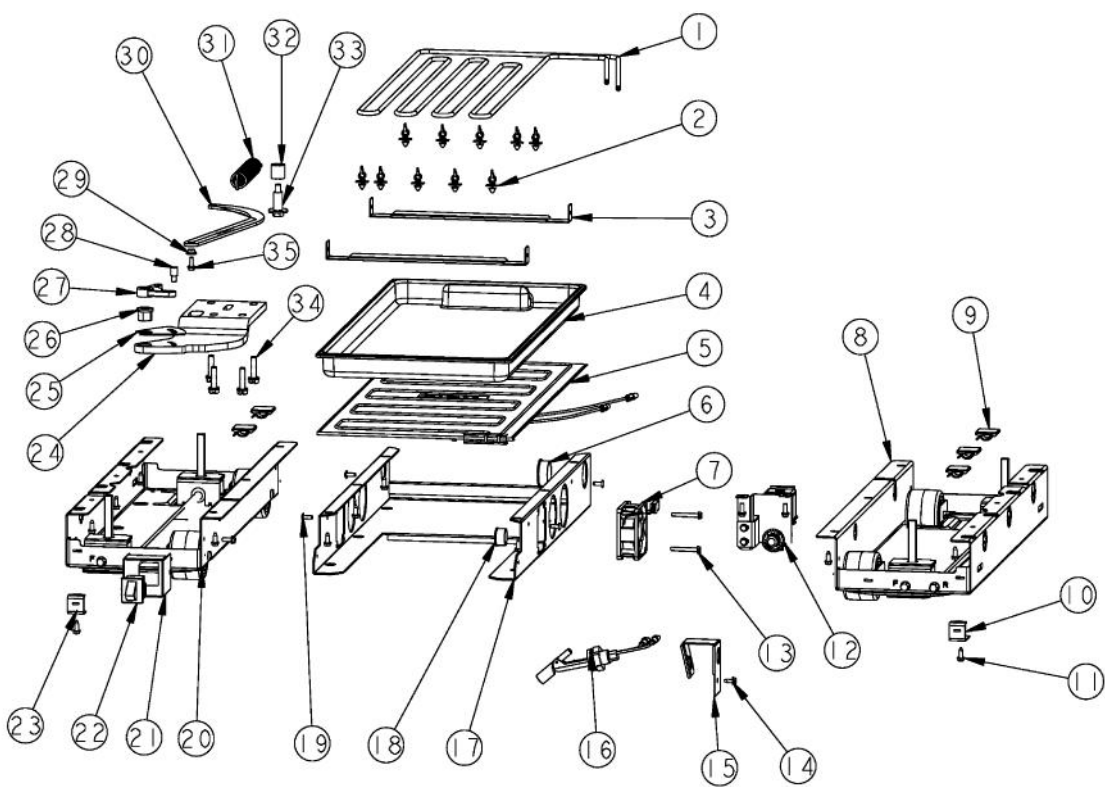


Ref #	Part Number	Qty.	Description
1	G32911376		GRILLE ASM AF AR 30 PRO LH
1	G32910757		GRILLE ASM AF AR 30 PRO (FOR BREAKDOWN SEE PAGE 011)
2	M0210458		SCREW-SM
3	PK910123		SIDE TRIM - PRO
4	000206-002		KICKPLATE, LWR
5	C90910725BK		VENTED TOE GRILLE (LEFT HINGE)
5	C90910758BK		GRILLE TOE VENTED 30 R XBKX
6	M0210443		SCREW-E SM
7	40370P01		NYLON FLAT WASHER V40370P01
NI	G50915030		GRILLE TOE ASM AF AR 30 L (CONTAINS ITEMS NO. 4 - NO. 7)
NI	G50915029		GRILLE TOE ASM AF AR 30 R (CONTAINS ITEMS NO. 4 - NO. 7)

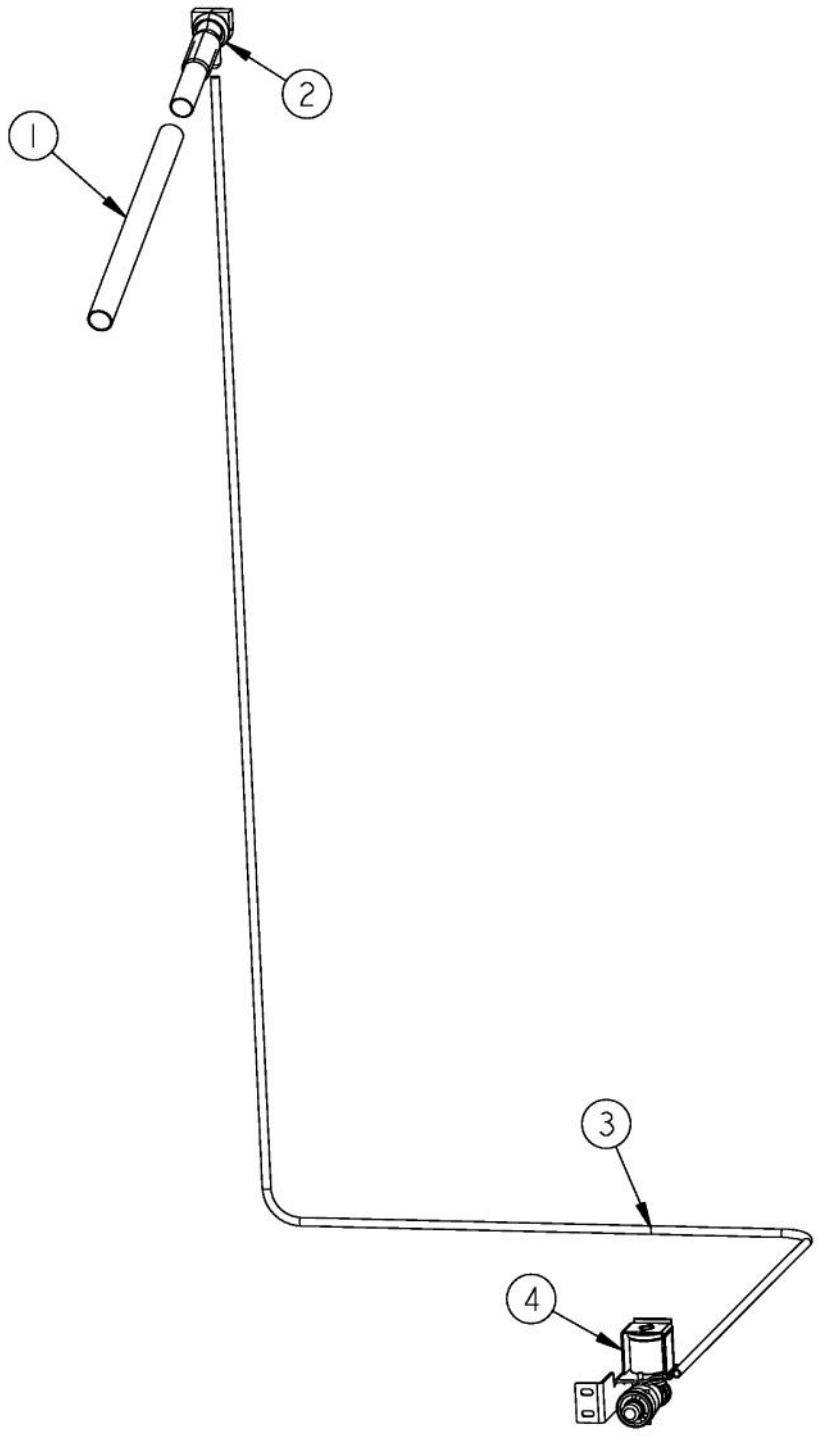


Ref #	Part Number	Qty.	Description
1	PD020194		SCREW-SM
2	PC040010		POP RIVET
3	M0223509		SCREW-LAG
4	M0270510		WASHER
5	PK910089		BRACKET, ANTI - TIP
6	A4554806		BUSHING-SNAP VA4554806
7	K2099459		MC SIDE R
8	PB070355		INSULATION MC COVER
9	PB970171		MC INSULATION - BACK SIDE
10	B20911816		GRILLE ENDCAP PRO L
10	B20911818		GRILL ENDCAP PRO L/R NON-HINGE
11	M0220417		SCREW-TC
12	PK050004		BRACKET GRILLE
13	K20915675		BRACKET PSM
14	PD020233		SCR LAG 5/16-9 GX 5/16X7/16 WAF IHXW 3 S ZN
15	B2096962		BRACKET-LOUVER SUP
16	B2096961		BRACKET-LOUVER
17	B20910756		GRILLE LOUVER BOT 30 PRO
18	B20911818		GRILL ENDCAP PRO L/R NON-HINGE
18	B20911817		GRILLE ENDCAP PRO R
19	B20910755		GRILLE LOUVER MID 30 PRO
20	B20910754		GRILLE LOUVER TOP 30 PRO
21	PB070357		INSULATION MC COVER
22	PB070356		INSULATION MC COVER
23	K2099932		MC BACK 30
24	K2099455		SUPPORT MC Z
25	PD040157		BEARING SLEEVE
26	K2099460		MC SIDE L
27	K2099930		MC TOP 30

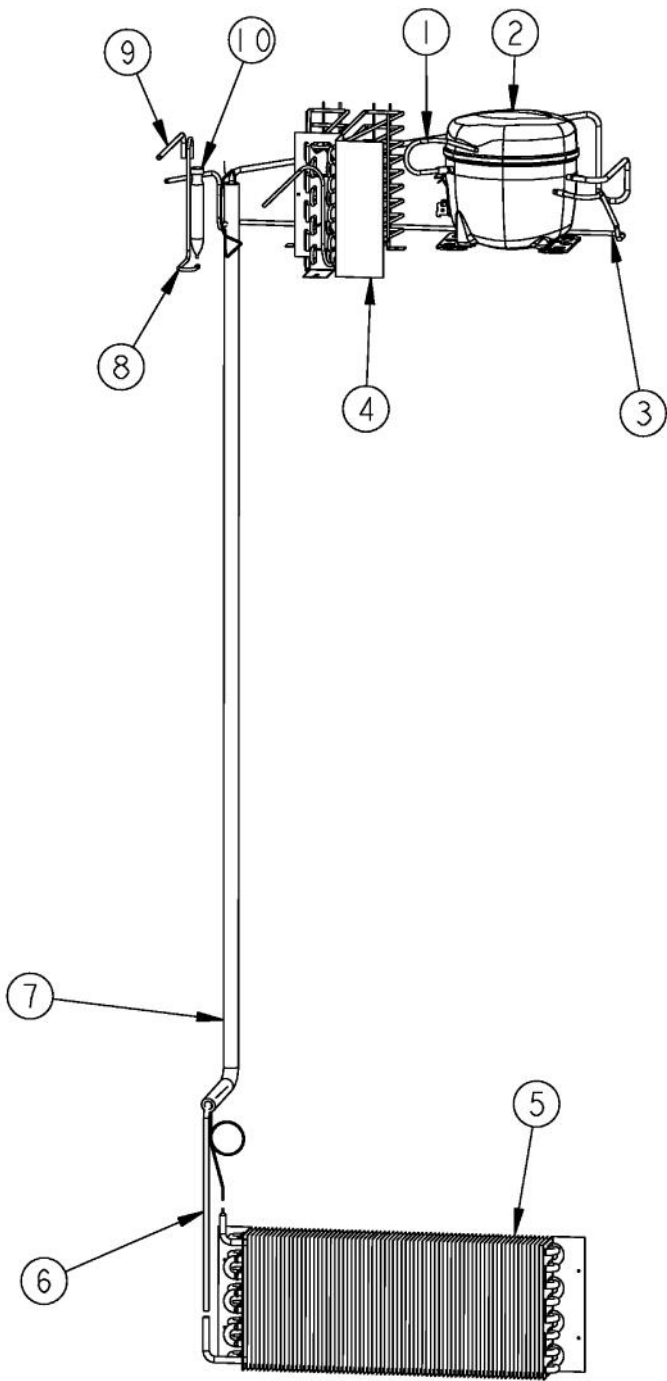
Ref #	Part Number	Qty.	Description
1	K20912562		COVER FAN EVAP AF 30
2	M0104106		CLIP-CORD VM0104106
3	PD020194		SCREW-SM
4	K20912558		BRACKET EVAP COVER
5	K20912598		DIVERTER AIR AF 30 R
6	K20912559		BRKT FAN EVAP AF 30
7	12234001		GROMMET-VIBRATION
8	PM910456		EVAPORATOR AF 30
9	PM910468		CLIP EVAP HTR 36 30 AF
10	PB910259		THERMOSTAT DEFROST TERMINATOR
11	PJ910038		DEFROST HEATER AF 30
12	K20912597		DIVERTER AIR AF 30 L
13	M0238859		SCREW-SHLDR
14	M02172046		SCREW, SM
15	PE950154		FAN EVAP HORIZ AF AR 30
16	PE970641		JUMPER FAN RESISTOR



Ref #	Part Number	Qty.	Description
1	F2099927		SERPENTINE AF AR 30
2	PD030146		STAND OFF LOCK CLIP
3	K20911832		BRACKET CONDENSATE SUPPORT
4	PK930347		PAN-DRAIN AF AR 30
5	G50915603		PAN HEATER ASM AF/AR 30
6	A4554817		BUSHING-SNAP VA4554817
7	000731-000		AXIAL FAN
8	PM910398		LEVELER ASSEMBLY - R
9	M0104106		CLIP-CORD VM0104106
10	K2098044		BRKT GRILLE SUPPORT
11	PD020194		SCREW-SM
12	G32913789		BRKT & VALVE H2O SNGL ASM
13	PD020274		SCR SLTD HEX WSHR HD 8X1.250 BT
14	M0253916		SCREW-TF
15	B20915627		BRACKET HORIZ FLOAT SWITCH
16	PE050248		FLOAT SWITCH HORIZONTAL
17	K20915953		SHIELD BOTTOM DRAIN
18	A4554806		BUSHING-SNAP VA4554806
19	PC040010		POP RIVET
20	PM910399		LEVELER MODULE L
21	002668-000		SWITCH,GRILLE,MT,LH
21	002667-000		SWITCH,GRILLE,MT,RH
22	PE950147		SWITCH SPST NC BLACK
23	K2098096		BRKT GRILLE SUPPORT
24	PC020289		HINGE PLATE LL
24	PC020288		HINGE PLATE LR
25	PC920144		PLATE - WC DOOR SHIM
26	PD940090		BUSHING - WC DOOR LEVEL
27	PD940091		BUSHING - DOOR STOP
28	PC920145		PIN - DOOR STOP
29	PD940094		BUSHING
30	PC920149		BAR-WC BOT HINGE LH
30	PC920166		BAR-WC BOT HINGE RH
31	PC910015		SPRING EXTENSION
32	PD940107		ROUND SPRING SPACER
33	M0221523		SCREW - SHLDR
34	000570-000		HEX SCREW
35	M0220417		SCREW-TC
NI	PK930424	1	VALVE POP UP ASM



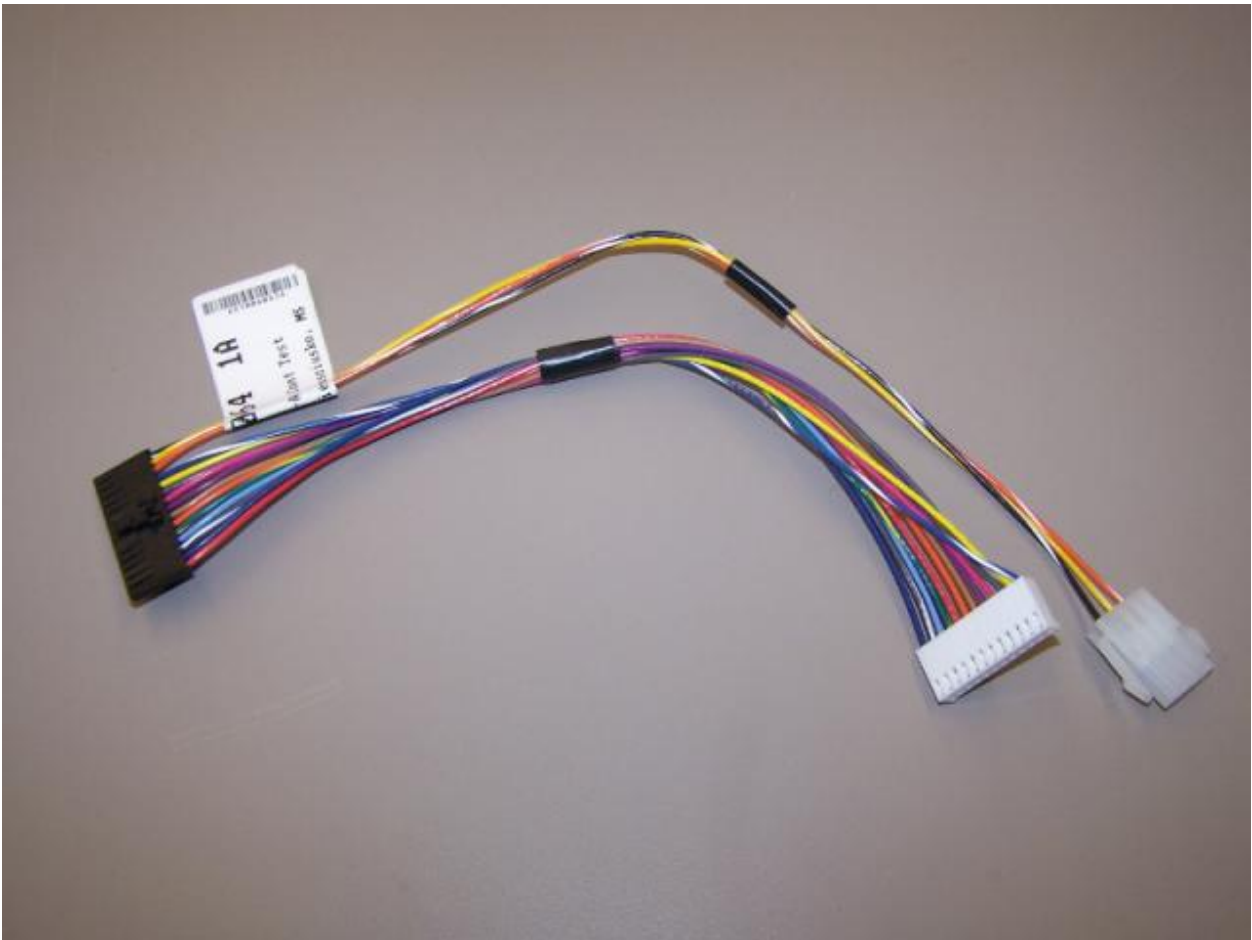
Ref #	Part Number	Qty.	Description
1	A3127415		EXT-FILL TUBE
2	G5096419		FILL TUBE ASSY 10942511
3	PB020304		PLASTIC TUBING-IM WATERLINE NON DISP (SXS & AF)
4	PA970012		SINGLE WATER VALVE



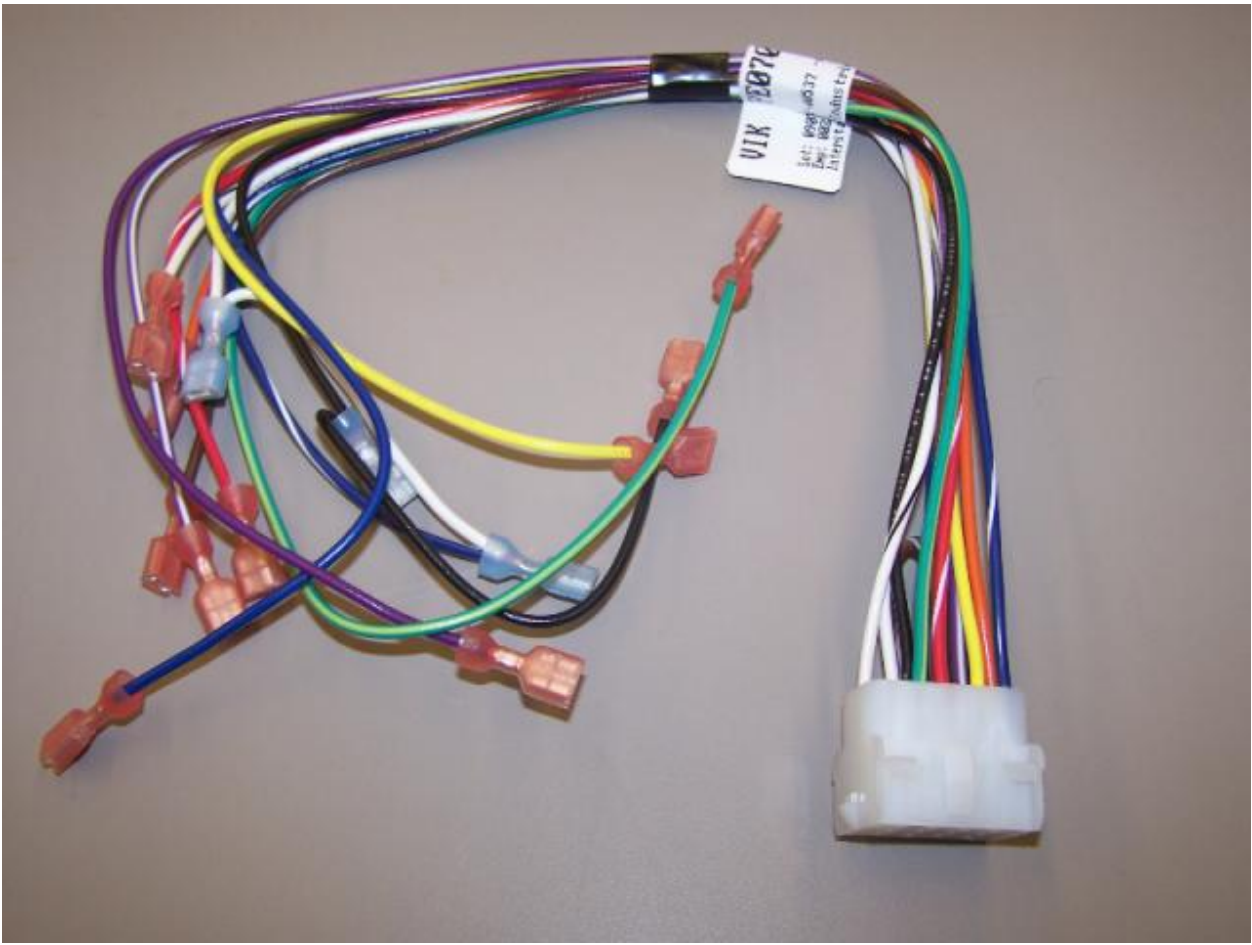
Ref #	Part Number	Qty.	Description
1	F2096507		TUBE-PROCESS GRN
2	G5097976		COMPRESSOR ASSEMBLY (363 AND 483) (INCLUDES DRIER)
3	F20910729		TUBE DISCHARGE FORMED AF AR 36
4	PB920171		CONDENSER ASM
5	G50912322		EVAP ASM AF 30
6	F20911307		TUBE FORMED HT EXCH AF 30
7	PB970187		INSULATION TUBING 57.500
8	F2096669		TUBE-DRIER COND
9	F2097740		TUBE PROCESS
10	10743201		DRIER, HI SIDE

*No Image
Available*

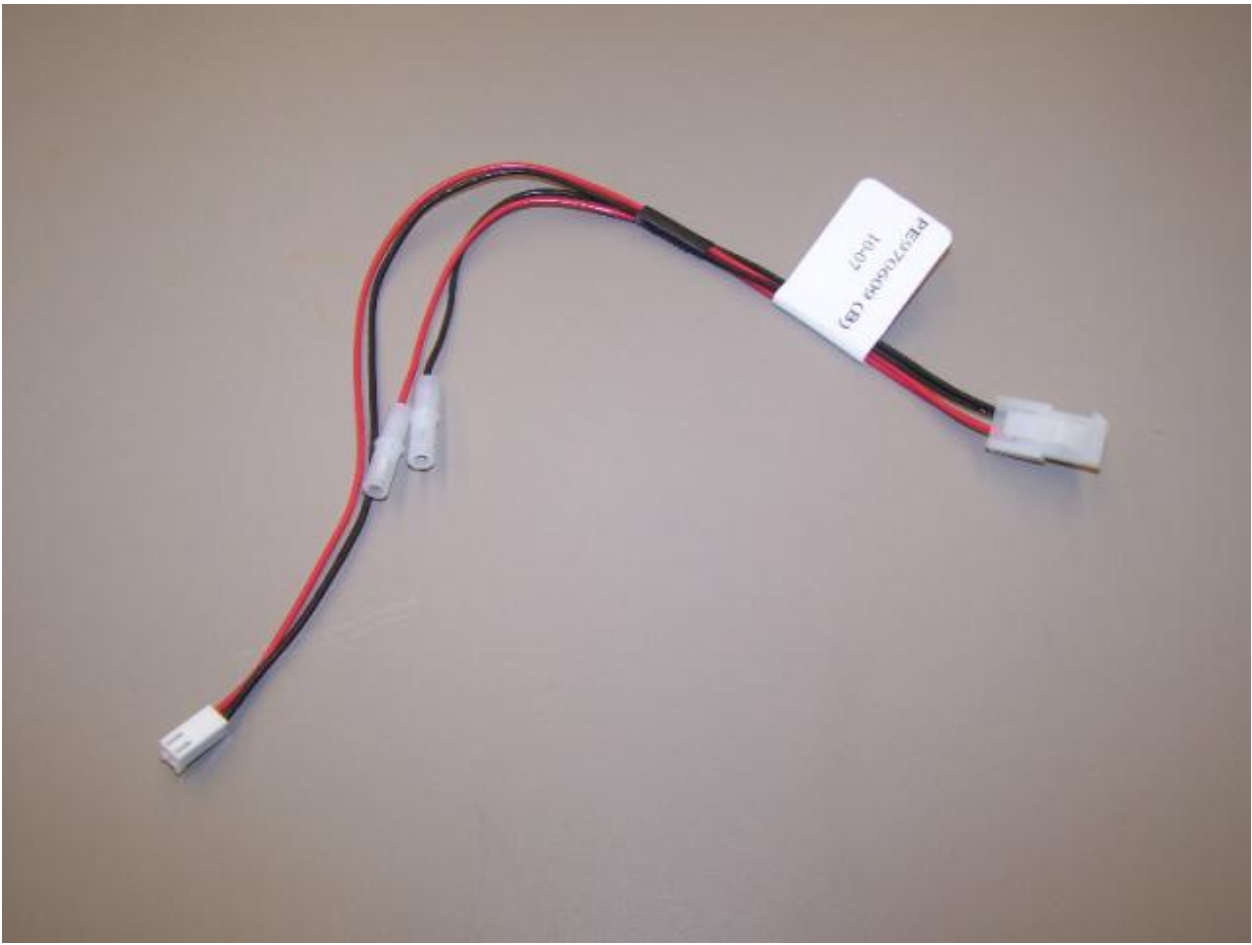
Ref #	Part Number	Qty.	Description
1	PE970570		HARNESS MACH COMP AF 30



Ref #	Part Number	Qty.	Description
1	PE970464		HARNESS LOW VOLT



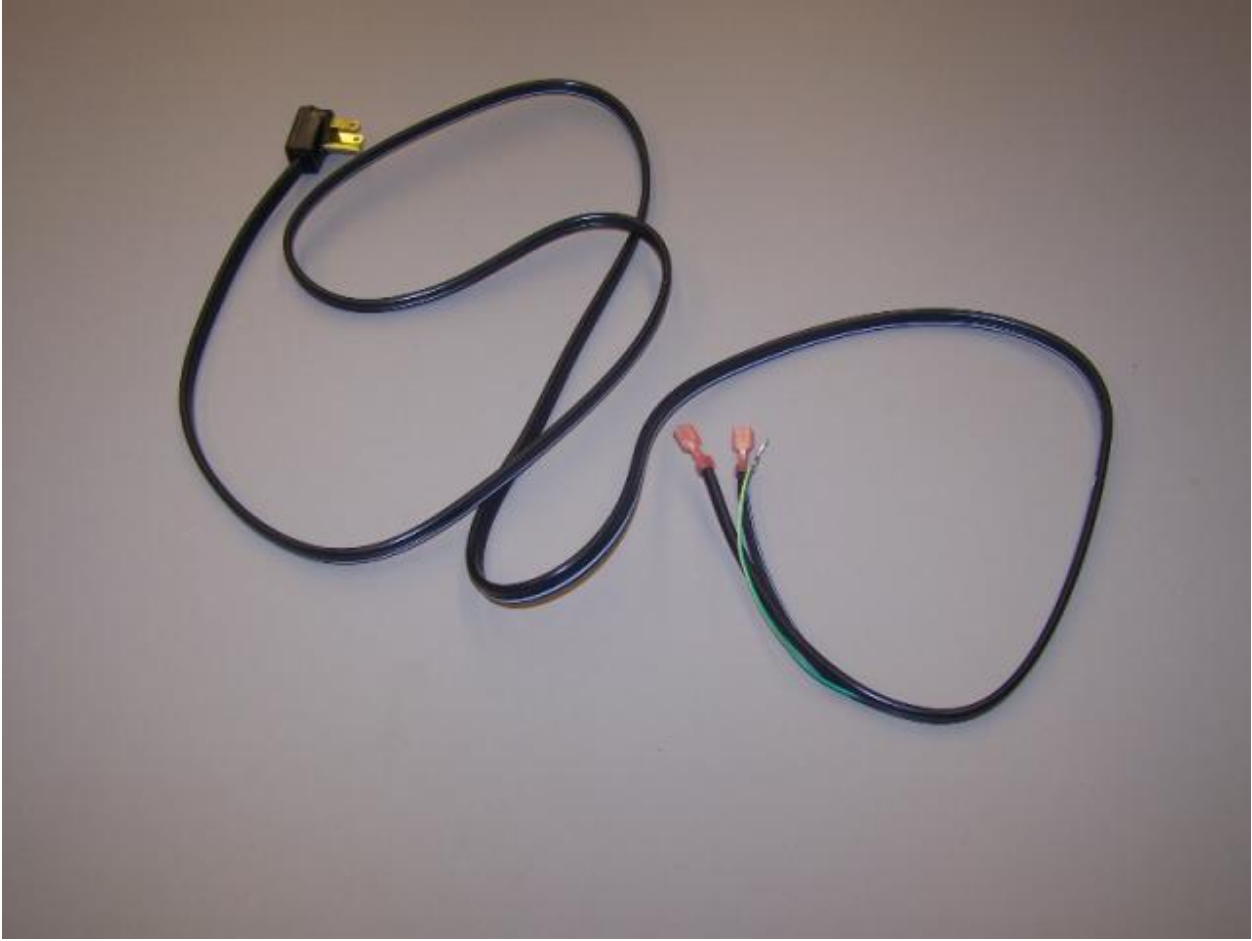
Ref #	Part Number	Qty.	Description
1	PE070785		HARNESS HIGH VOLT



<u>Ref #</u>	<u>Part Number</u>	<u>Qty.</u>	<u>Description</u>
1	PE970609		HARNESS CONTROL BOARD

*No Image
Available*

Ref #	Part Number	Qty.	Description
1	PE970641		JUMPER FAN RESISTOR



Ref #	Part Number	Qty.	Description
1	10916507		TUBE-PROCESS GRN

*No Image
Available*

Ref #	Part Number	Qty.	Description
NI	044042-000	1	ALL FREEZER FLOAT SWITCH WIRING KIT (FOR UNITS MANUFACTURED BEFORE 1/9/13)