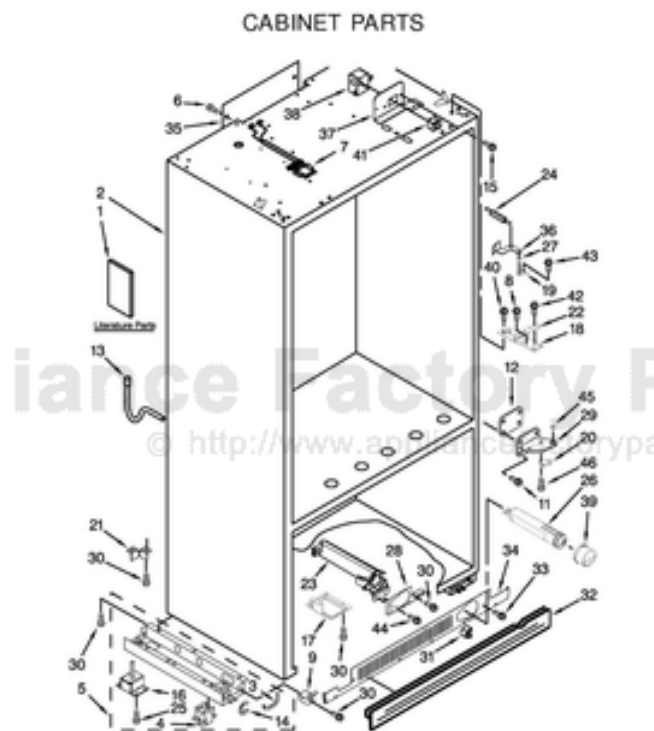


This Owner's Manual is provided and hosted by [Appliance Factory Parts](#).



VIKING VTSB5420SS01 Owner's Manual

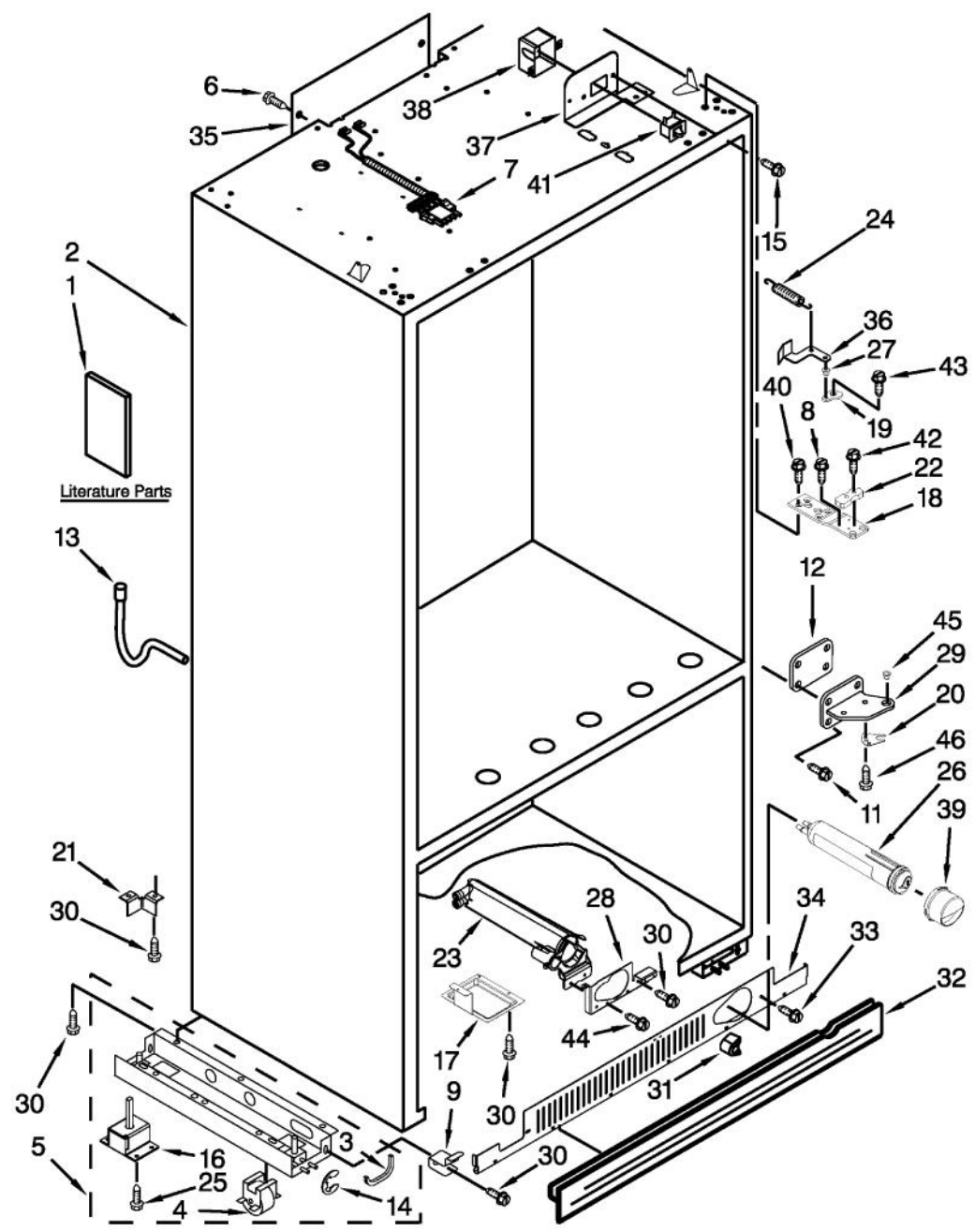
[Shop genuine replacement parts for VIKING
VTSB5420SS01](#)



[Find Your VIKING Grill Parts - Select From 210 Models](#)

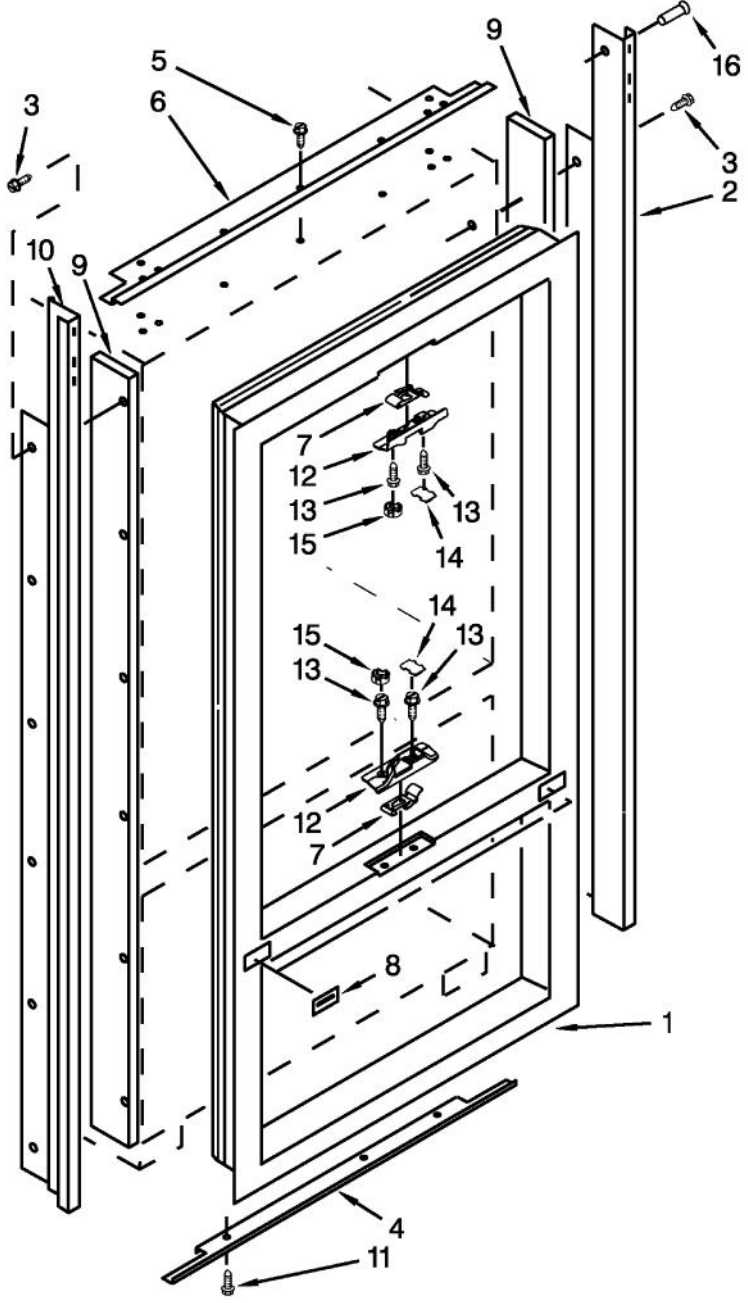
----- Manual continues below -----

CABINET PARTS



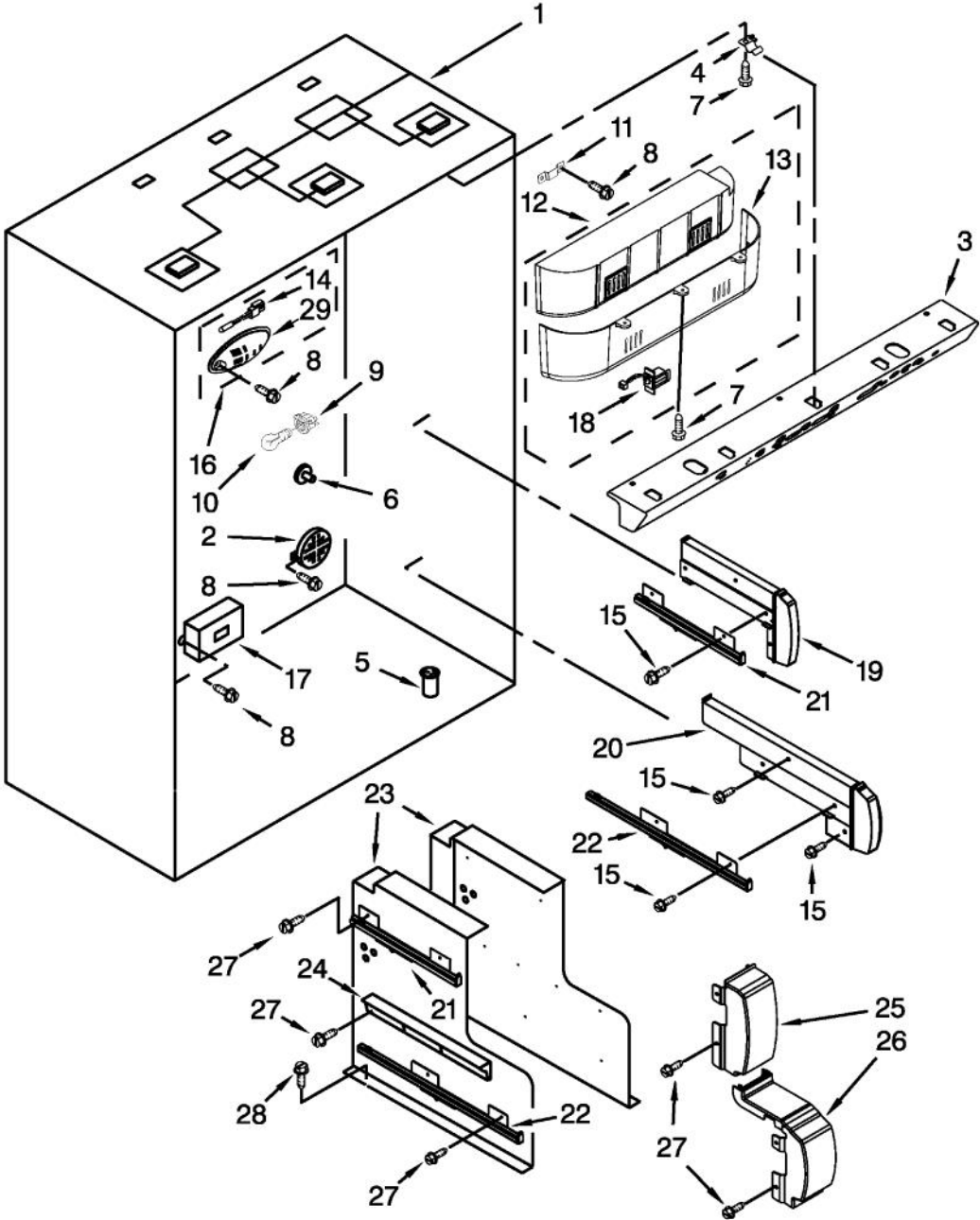
Ref #	Part Number	Qty.	Description
1	NS	NA	LITERATURE-NON SERVICEABLE
2	NS	NA	LITERATURE-NON SERVICEABLE
3	050380-000	1	GROMMET, CROSSOVER TUBE
4	050464-000	1	ASSEMBLY, ROLLER
5	050465-000	1	SUPPORT, BASE ASSEMBLY, RIGHT HAND
5	050485-000	1	SUPPORT, BASE ASSEMBLY, LEFT HAND
6	050323-000	4	SCREW
7	050335-000	1	WIRE ASSEMBLY, LIGHT SWITCH
8	021565-000	4	SCREW
9	050381-000	2	BRACKET, GRILL MOUNTING
11	050463-000	4	SCREW
12	050339-000	1	SHIM, DOOR HINGE
13	050401-000	1	TUBE, DRAIN
14	050331-000	1	RING, RETAINER
15	050316-000	2	SCREW
16	050325-000	1	LEVELER, ADJUSTABLE
17	050424-000	1	TRAY, FILTER DRIP
18	050405-000	1	HINGE, REFRIGERATOR DOOR TOP
19	050425-000	1	STOP, DOOR
20	PR120103	1	BUSHING 2004994
21	050330-000	1	BRACKET, BASE SUPPORT
22	050404-000	1	STOP, DOOR
23	021579-000	1	HOUSING, WATER FILLER
24	050347-000	1	SPRING, DOOR CLOSURE (GREEN)
25	050314-000	4	SCREW
26	050537-000	1	FILTER, WATER
27	050410-000	1	BUSHING, EXTENSION ARM
28	050508-000	1	BRACKET, FILTER
29	050506-000	1	HINGE, CENTER REFRIGERATOR DOOR
30	021577-000	3	SCREW
31	021573-000	1	BUTTON, WATER FILLER - BLACK
32	050448-000	1	BLACK SKIRT, BOTTOM GRILLE
33	050443-000	2	SCREW
34	050450-000	1	GRILLE BASE, FRONT
35	050521-000	1	COVER ASSEMBLY, AIR DUCT
36	050356-000	1	ARM, EXTENSION- LEFT HAND
36	050357-000	1	ARM, EXTENSION-RIGHT HAND
37	050343-000	1	BRACKET, SWITCH- LEFT HAND
37	050344-000	1	BRACKET, SWITCH-RIGHT HAND
38	050341-000	1	COVER, SWITCH
39	050449-000	1	BLACK CAP, WATER FILTER
40	050438-000	2	SCREW
41	PR110008	1	SWITCH, ROCKER ARM
42	050444-000	2	SCREW
43	050439-000	2	SCREW
44	021564-000	2	SCREW
45	050398-000	1	BUSHING, HINGE
46	050319-000	2	SCREW

CABINET TRIM PARTS



Ref #	Part Number	Qty.	Description
1	NA	N/A	LOW VOLTAGE BOARD (AFTER 01/22/05)
2	050457-000	1	TRIM, CABINET SIDE, ALUMINUM
3	PR120107	12	SCREW 1163283
4	050403-000	1	TRIM, BOTTOM CABINET, ALUMINUM
5	050314-000	5	SCREW
6	050397-000	1	TRIM, TOP CABINET, ALUMINUM
7	050408-000	1	TOP CAM, MULLION
7	050409-000	1	BOTTOM CAM, MULLION
8	050326-000	1	HINGE COVER, WHITE
9	050327-000	1	SEAL, SIDE TRIM
10	050458-000	1	TRIM, CABINET SIDE (LEFT), ALUMINUM
11	021577-000	3	SCREW
12	050390-000	1	CONTACT, MULLION, TOP
12	050391-000	1	CONTACT, MULLION, BOTTOM
13	050314-000	5	SCREW
14	050411-000	1	COVER, SCREW (SQUARE)
15	050415-000	1	COVER, SCREW (ROUND)
16	050451-000	1	INSERT, BLIND THREADED

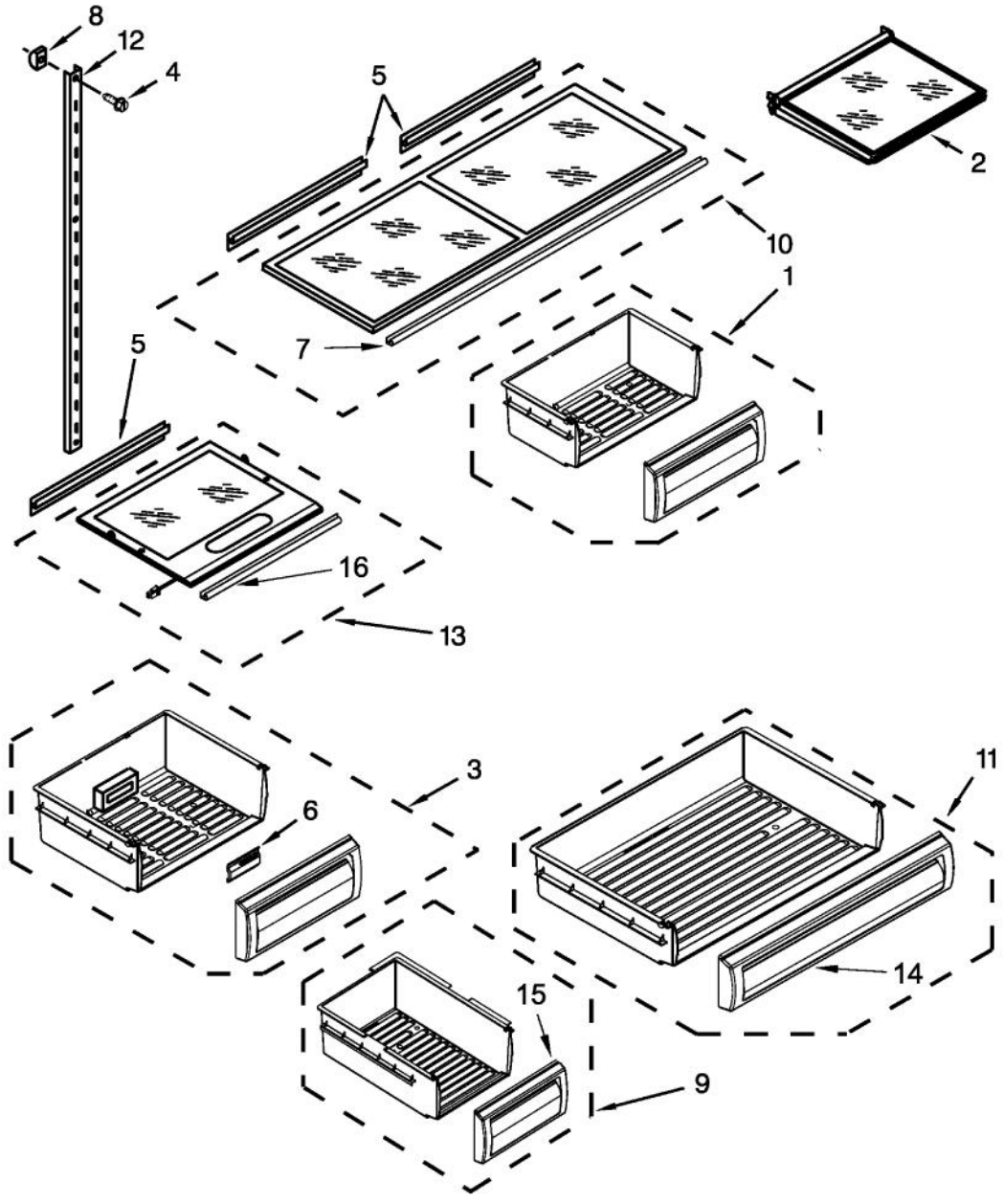
REFRIGERATOR LINER PARTS



Ref #	Part Number	Qty.	Description
1	NA		LOW VOLTAGE BOARD (AFTER 01/22/05)
2	050413-000		COVER, AIR RETURN
3	050540-000		CONTROL BOX, COMPLETE
4	050412-000		CLIP, CONTROL BOX
5	050334-000		BODY, VALVE TUBE
6	021603-000		STUD ASSEMBLY
7	021564-000		SCREW
8	050317-000		SCREW (STAINLESS)
9	050473-000		SOCKET, LIGHT
10	021559-000		LIGHT BULB
11	050420-000		CLIP, DIFFUSER COVER
12	050428-000		DIFFUSER ASSEMBLY
13	050427-000		COVER, DIFFUSER
14	021413-000		THERMISTOR
15	050318-000		SCREW
16	022177-000		THERMISTOR ASSY
17	050358-000		DIFFUSER, CRISPER (COMPLETE)
18	050348-000		ASSEMBLY, AIR BAFFLE
19	050360-000		SPACER, CRISPER, LEFT HAND
19	050361-000		SPACER, CRISPER, RIGHT HAND
20	050378-000		SPACER, DELI, RIGHT HAND
20	050379-000		SPACER, DELI, LEFT HAND
21	050362-000		SLIDE, CRISPER PAN, LEFT HAND
21	050363-000		SLIDE, CRISPER PAN, RIGHT HAND
22	050364-000		SLIDE, DELI PAN, LEFT HAND
22	050365-000		SLIDE, DELI PAN, RIGHT HAND
23	050429-000		CENTER SUPPORT, RIGHT HAND
23	050430-000		CENTER SUPPORT, LEFT HAND
24	050400-000		SUPPORT, DELI COVER
25	050386-000		COVER, CENTER (CRISPER PANS)
26	050423-000		COVER, CENTER (DELI PANS)
27	050441-000		SCREW
28	050437-000		SCREW (STAINLESS)
29	021544-000		COVER, THERMISTOR

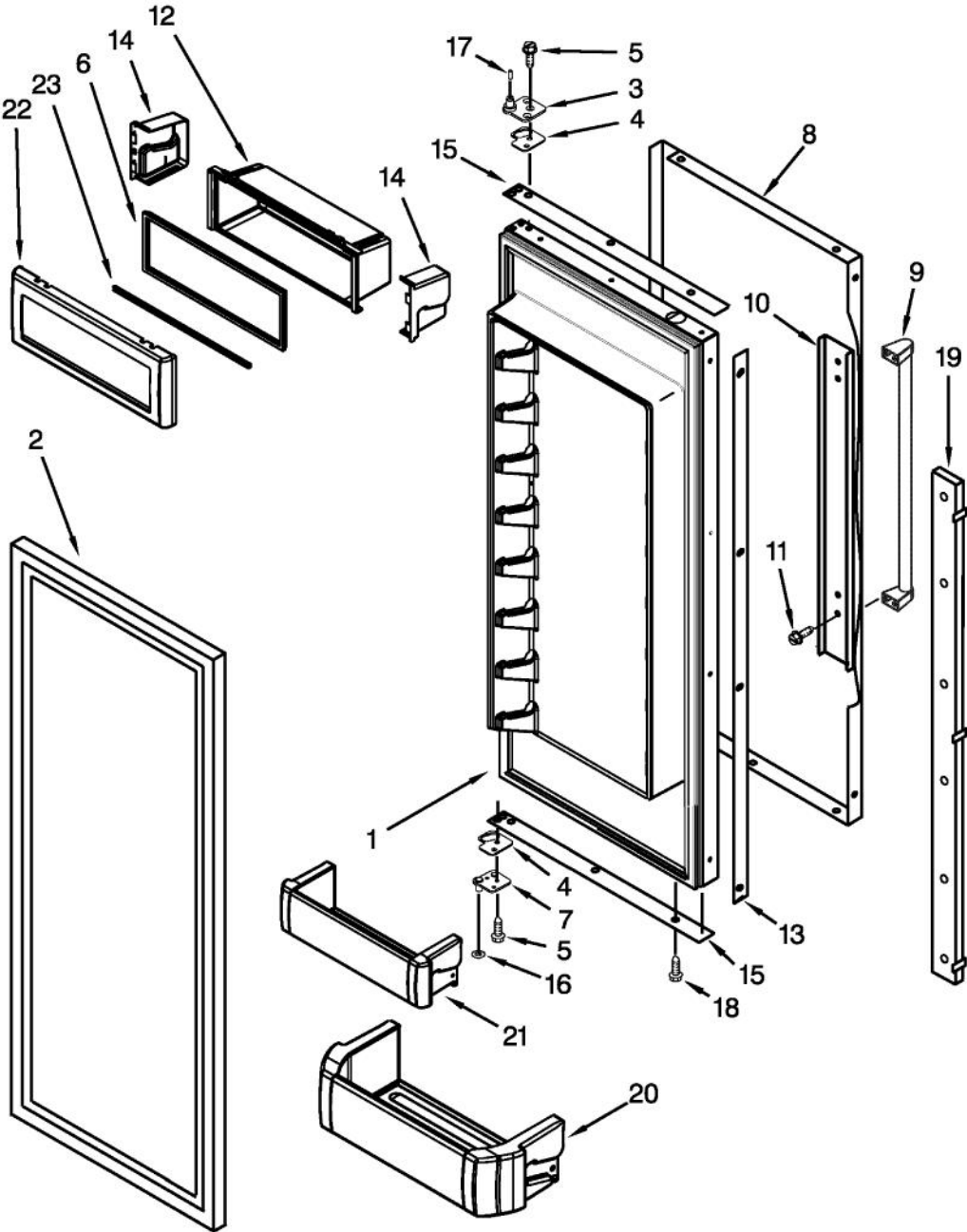
Ref #	Part Number	Qty.	Description
1	N/A		HEAT SHIELD - MUST ORDER ITEM NO. 11
2	050519-000		SLIDE AND BRACKET ASSEMBLY, LEFT HAND
2	050520-000		SLIDE AND BRACKET ASSEMBLY, RIGHT HAND
3	021544-000		COVER, THERMISTOR
4	050441-000		SCREW
5	050445-000		SCREW
6	050478-000		COVER, SWITCH
8	050314-000		SCREW
9	050473-000		SOCKET, LIGHT
10	021559-000		LIGHT BULB
11	050499-000		SWITCH ASSEMBLY, ICE MAKER
12	050377-000		COVER, WIRING (ICE MAKER)
13	050414-000		DUCT, AIR FLOW, (ICEMAKER)
14	050368-000		COVER, EVAPORATOR
15	050417-000		COVER, FAN
16	050317-000		SCREW (STAINLESS)
17	050371-000		SPACER, DRAWER (RIGHT SIDE)
18	050372-000		SLIDE, RIGHT HAND
18	050373-000		SLIDE, LEFT HAND
20	050488-000		DIVIDER, FREEZER BINS
21	050369-000		SUPPORT, SLIDE (RIGHT HAND)
21	050370-000		SUPPORT, SLIDE (LEFT HAND)
22	050421-000		SHIELD
24	050419-000		BRACKET, EVAPORATOR COVER (RIGHT HAND)
24	050426-000		BRACKET, EVAPORATOR COVER (LEFT HAND)
26	050452-000		ASSEMBLY, AIR RETURN BRACKET
28	022177-000		THERMISTOR ASSY
29	021413-000		THERMISTOR
32	050437-000		SCREW (STAINLESS)
33	050459-000		ASSEMBLY, AIR DEFLECTOR

SHELF PARTS



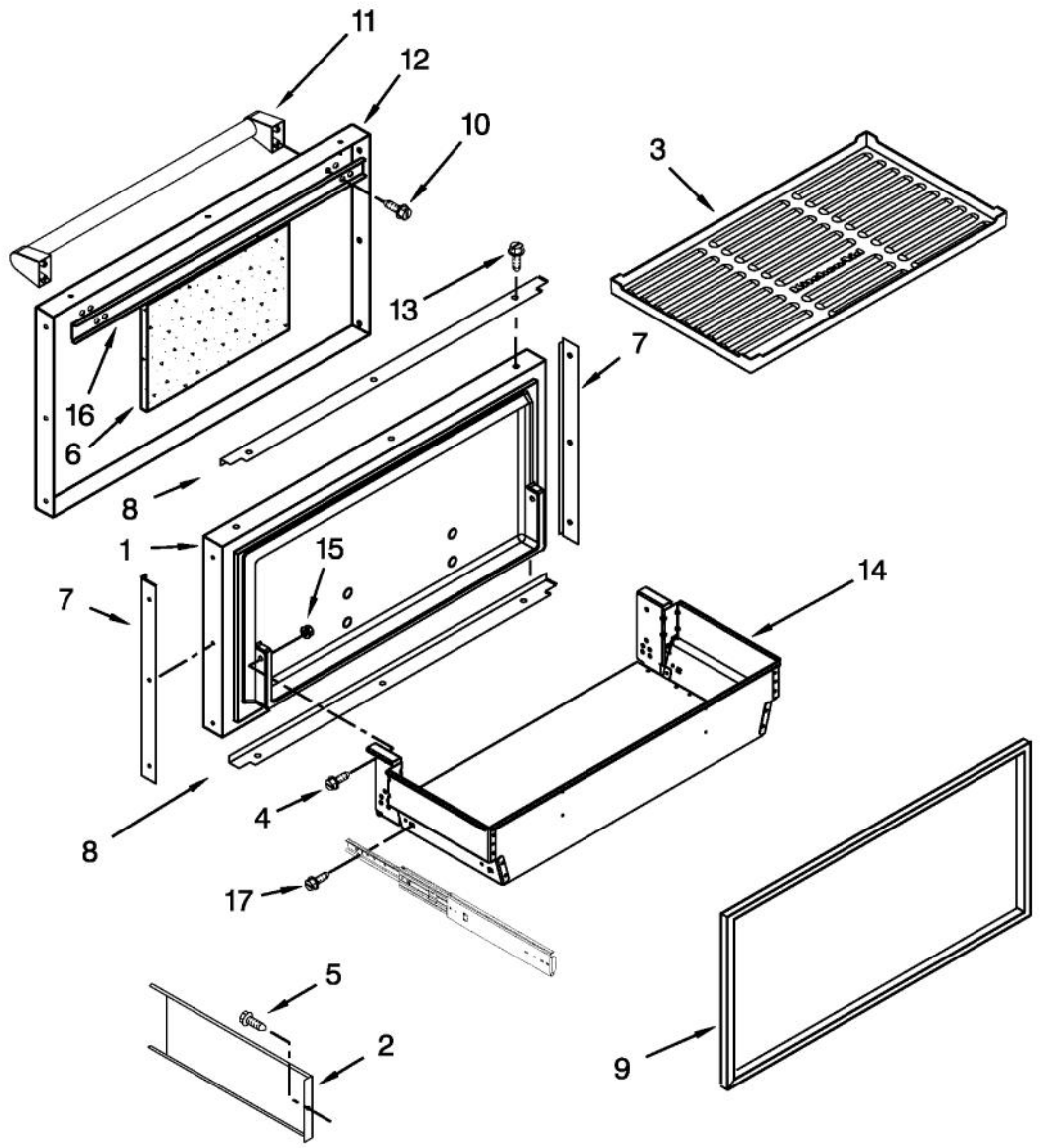
Ref #	Part Number	Qty.	Description
1	050512-000		CRISPER PAN ASSEMBLY, RIGHT HAND
1	050513-000		CRISPER PAN ASSEMBLY, LEFT HAND
2	050543-000		SHELF
3	050514-000		DELI PAN ASSEMBLY (INCLUDES ITEM 6) RIGHT HAND
3	050515-000		DELI PAN ASSEMBLY (INCLUDES ITEM 6) LEFT HAND
4	050329-000		SCREW (WHITE)
5	050394-000		GASKET, REAR
6	050422-000		DEFLECTOR, AIR
7	050393-000		GASKET, FRONT (CRISPER COVER)
8	PR120013		BUSHING - LADDER (SUPPORT) (520965)
9	050374-000		ASSEMBLY, ICE PAN
10	050468-000		COVER, CRISPER
11	050435-000		ASSEMBLY, FREEZER PAN
12	050434-000		LADDER, SHELF
13	050469-000		COVER, DELI BIN RIGHT HAND
13	050470-000		COVER, DELI BIN LEFT HAND
14	050353-000		ASSEMBLY, MEAT PAN FRONT
15	050375-000		FRONT, ICE PAN
16	050392-000		GASKET, FRONT (DELI COVER)

REFRIGERATOR DOOR PARTS



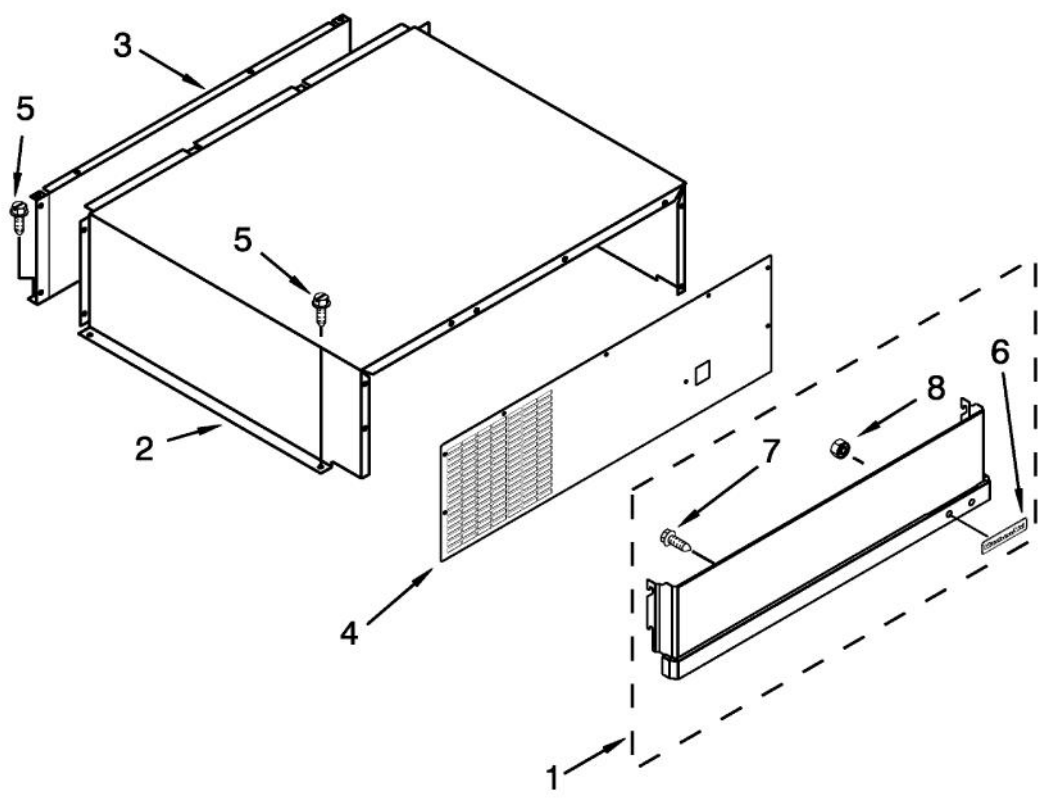
Ref #	Part Number	Qty.	Description
1	050474-000		DOOR, REFRIGERATOR RIGHT HAND
1	050475-000		DOOR, REFRIGERATOR LEFT HAND
2	050359-000		GASKET, DOOR
3	050433-000		ASSEMBLY, TOP HINGE
4	050407-000		SPACER, DOOR HINGE BOTTOM
5	050463-000		SCREW
6	050350-000		GASKET, UTILITY BIN
7	050482-000		BOTTOM HINGE ASSEMBLY RIGHT HAND
7	050483-000		BOTTOM HINGE ASSEMBLY LEFT HAND
8	050546-000		SKIN, DOOR STAINLESS
9	050544-000		HANDLE STAINLESS
10	050453-000		PLATE, HANDLE DOOR
11	050313-000		SCREW
12	050500-000		BIN, UTILITY CENTER
13	050402-000		SPACER, DOOR EDGE (HANDLE SIDE)
14	050501-000		UTILITY BIN ENDCAP RIGHT HAND
14	050502-000		UTILITY BIN ENDCAP LEFT HAND
15	050387-000		SPACER, DOOR EDGE (TOP / BOTTOM)
16	050328-000		WASHER, EXTENSION ARM
17	050406-000		BUSHING, TOP HINGE
18	050436-000		SCREW (STAINLESS)
19	050383-000		ASSEMBLY, MULLION
20	050504-000		BIN, GALLON DOOR
21	050503-000		BIN, DOOR
22	050456-000		DOOR, UTILITY BIN
23	050349-000		RAIL, UTILITY LID

FREEZER DOOR AND BASKET PARTS



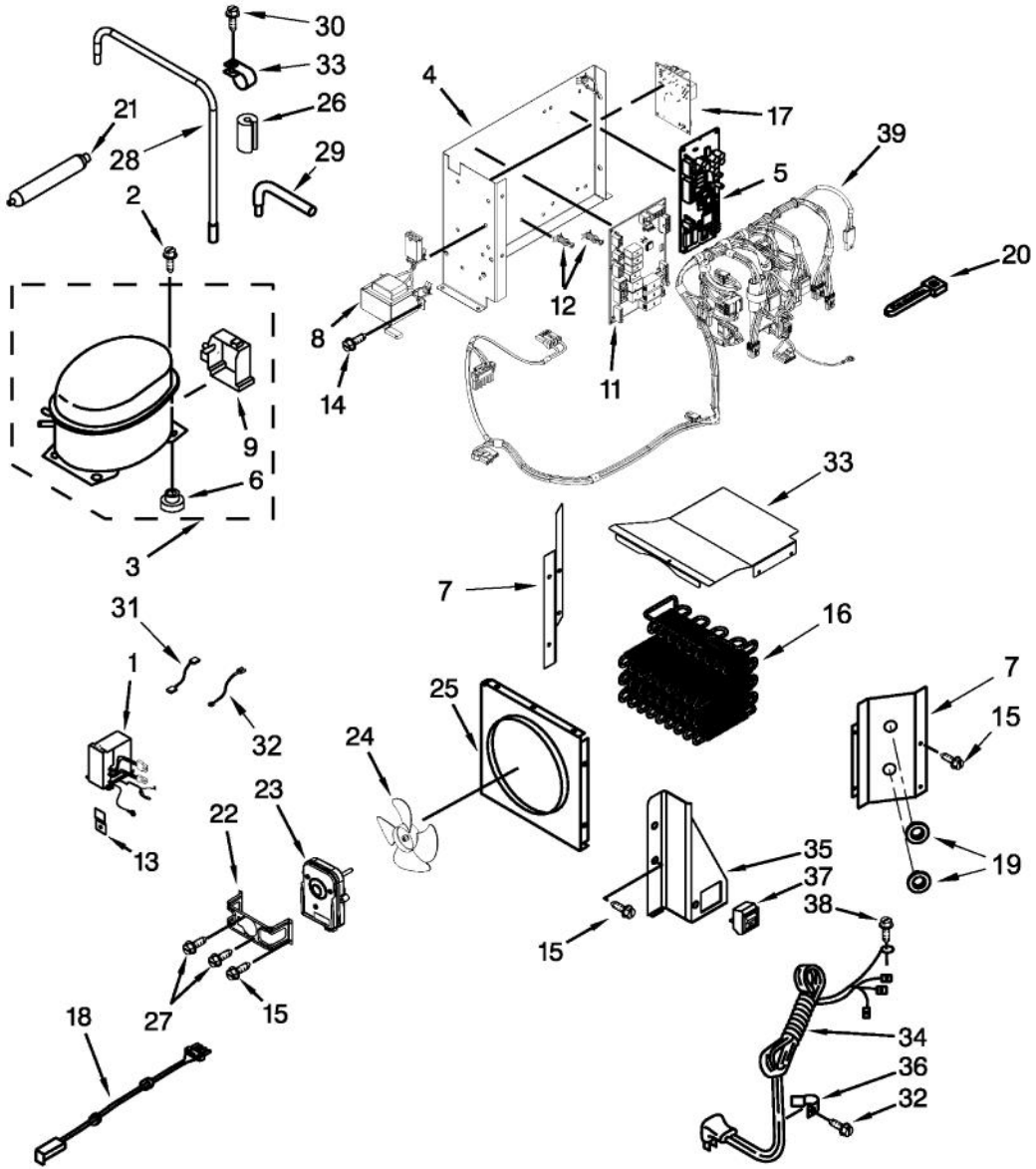
Ref #	Part Number	Qty.	Description
1	050480-000		FREEZER DOOR
2	050416-000		DIVIDER, BASKET
3	050471-000		MAT, BASKET
4	050460-000		SCREW
5	050461-000		SCREW
6	050388-000		FILLER, FOAM
7	050507-000		SPACER, DOOR EDGE (SIDE)
8	050389-000		SPACER, DOOR EDGE (TOP AND BOTTOM)
9	050476-000		DOOR GASKET, MAGNETIC
10	050313-000		SCREW
11	050544-000		HANDLE STAINLESS
12	050547-000		SKIN, DOOR STAINLESS
13	050436-000		SCREW (STAINLESS)
14	050479-000		ASSEMBLY, FREEZER BASKET
15	050338-000		NUT, HEX
16	050453-000		PLATE, HANDLE DOOR
17	050446-000		SCREW

TOP GRILLE AND UNIT COVER PARTS



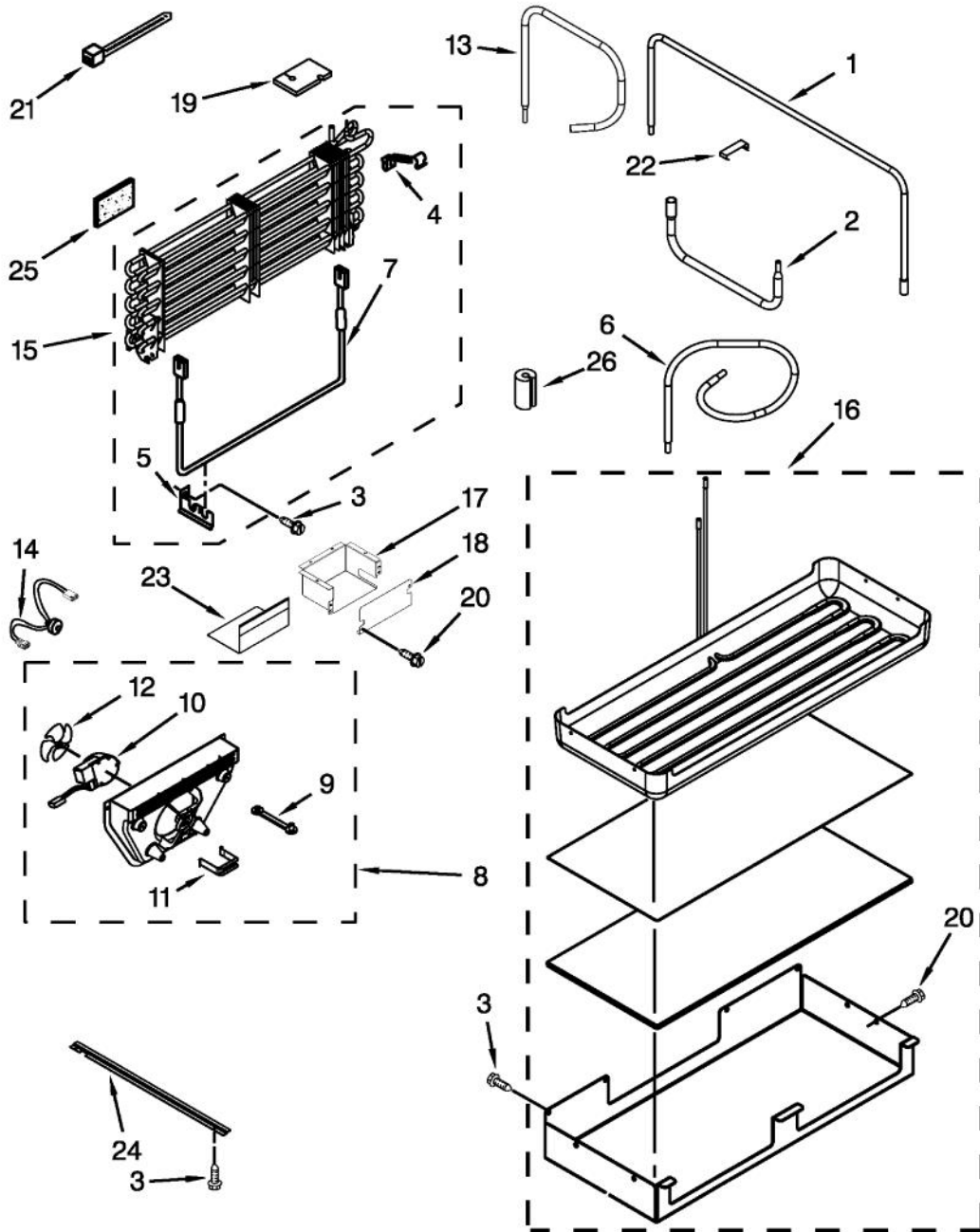
Ref #	Part Number	Qty.	Description
1	050498-000		ASSEMBLY, TOP GRILLE STAINLESS
2	050541-000		COVER, UNIT
3	050354-000		PANEL, UNIT BACK
4	050472-000		COVER, UNIT FRONT
5	050322-000		SCREW
6	050447-000		NAMEPLATE, VIKING
7	050320-000		SCREW
8	050324-000		NUT

UPPER UNIT PARTS



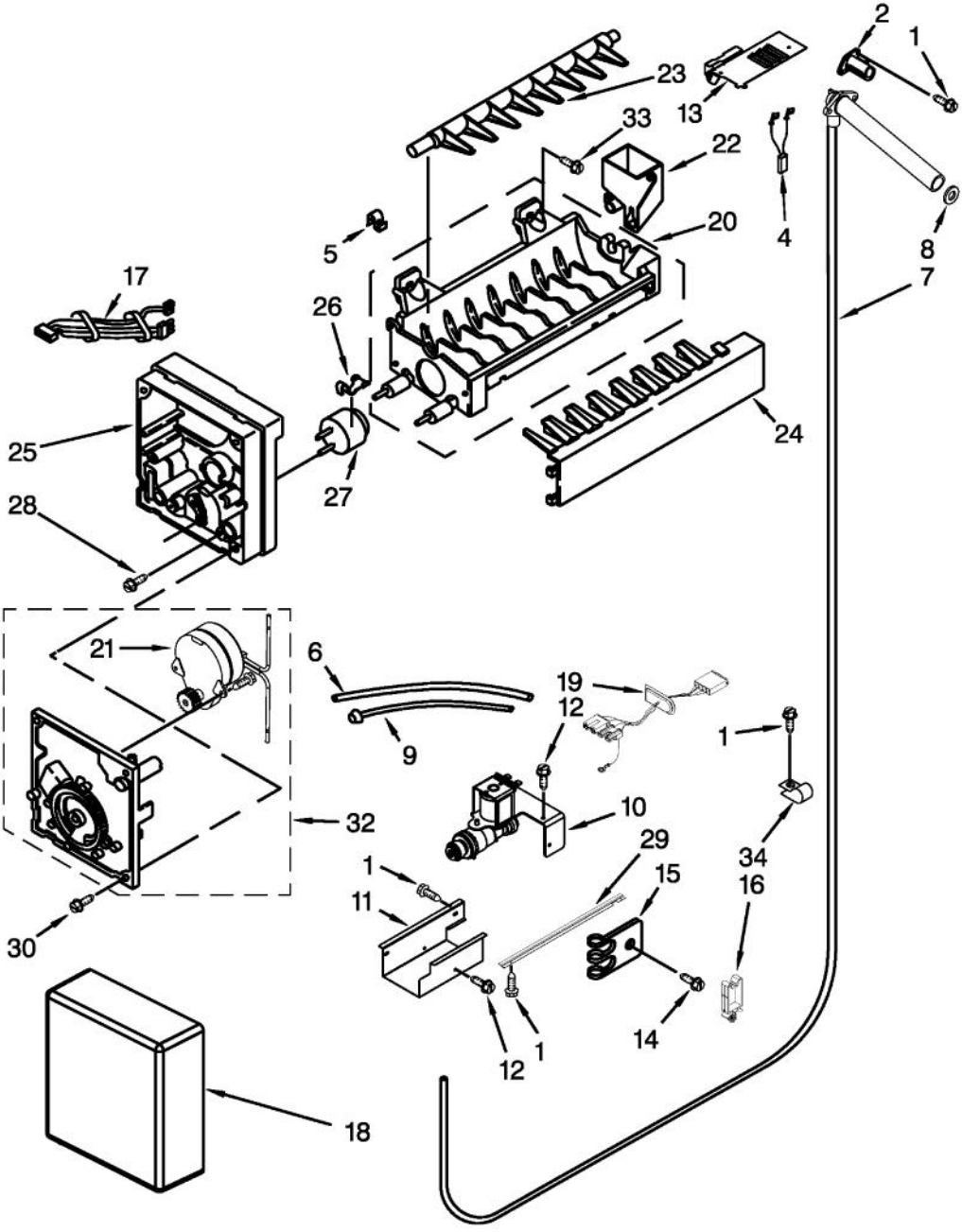
Ref #	Part Number	Qty.	Description
1	050527-000		ASSEMBLY, INVERTER BOX
2	021381-000		SCREW
3	050351-000		COMPRESSOR
4	050495-000		HOUSING, CONTROL BOARD
5	050367-000		CONTROL, ELECTRONIC
6	021389-000		GROMMET
7	050533-000		SUPPORT, CONDENSER LEFT HAND
7	050534-000		SUPPORT, CONDENSER RIGHT HAND
8	050366-000		TRANSFORMER
9	050340-000		COVER, TERMINAL
11	050522-000		BOARD, CONTROL
12	050337-000		SPACER
13	050352-000		MOUNTING BRACKET, INVERTER
14	050316-000		SCREW
15	050322-000		SCREW
16	050539-000		CONDENSER
17	050509-000		CONTROL, ELECTRONIC
18	050395-000		ASSEMBLY, CONDENSER
19	050538-000		FAN WIRE GROMMET
20	050332-000		TIE WIRE
21	050467-000		DRIER
22	050517-000		BRACKET, FAN MOTOR
23	050336-000		MOTOR, CONDENSER
24	021585-000		FAN, BLADE
25	050518-000		ORIFICE, FAN
26	021551-000		GROMMET-COND.
27	050440-000		SCREW
28	050542-000		TUBE, DRIER TRANSITION
29	050535-000		TUBE, PROCESS
30	050314-000		SCREW
31	050530-000		JUMPER, INVERTER
32	050531-000		GROUND, INVERTER
33	050505-000		CLAMP, TUBE
34	050396-000		CORD, POWER
35	050494-000		BRACKET, CONTROL ASSEMBLY
36	021383-000		CLAMP, SERVICE CORD
37	PR110020		POWER DISCONNECT SWITCH (2266802)
38	050315-000		SCREW
39	050523-000		WIRING HARNESS, UNIT COMPARTMENT

LOWER UNIT AND TUBE PARTS



Ref #	Part Number	Qty.	Description
1	050536-000		TUBE, TRANSITION (CONDENSER/DRAIN PAN)
2	050510-000		TUBE, TRANSITION (DRIER/RESTRICTOR)
3	050314-000		SCREW
4	050384-000		CLIP, EVAPORATOR HEATER
5	050385-000		BRACKET, MOUNTING
6	050490-000		TUBE, OIL TRAP SUCTION
7	050418-000		ASSEMBLY, WATER INLET TUBE
8	050497-000		ASSEMBLY, SCROLL
9	050496-000		GROMMET, MOTOR
10	050525-000		MOTOR, FAN
11	050481-000		RETAINER, FAN MOTOR
12	011507-000		BLADE, FAN
13	050511-000		TUBE, DISCHARGE
14	050528-000		HARNESS, BI-METAL
15	050477-000		ASSEMBLY, EVAPORATOR
16	050487-000		ASSEMBLY, DRAIN PAN
17	050491-000		COVER, WIRING
18	050492-000		COVER, WIRE BOX
19	050376-000		BLOCK, EVAPORATOR WATER FILTER
20	050312-000		SCREW
21	050332-000		TIE WIRE
22	050466-000		CLIP, HEAT EXCHANGER
23	050493-000		SHELF, WIRING COVER
24	050431-000		SUPPORT, DRAIN PAN
25	050333-000		SEALER, INSULATION
26	050516-000		GROMMET, AIR RETURN

ICEMAKER PARTS



Ref #	Part Number	Qty.	Description
1	050314-000		SCREW
2	050346-000		HEATER, FILL TUBE
4	050529-000		WIRE ASSEMBLY, FILL TUBE HEATER
5	017065-000		CLIP
6	050489-000		TUBE, FILTER INLET
7	050399-000		ASSEMBLY, WATER INLET TUBE
8	050321-000		GASKET, SEAL
9	050526-000		TUBE, FILTER OUTLET
10	050382-000		VALVE, SOLENOID
11	050455-000		SHIELD, VALVE ELECTRICAL
12	050315-000		SCREW
13	050345-000		SHIELD, HEAT
14	021577-000		SCREW
15	021445-000		TUBE CLIP
16	050454-000		CLIP, TUBE
17	050532-000		WIRE ASSEMBLY, ICE MAKER
18	021404-000		COVER
19	050486-000		WIRE ASSEMBLY, WATER VALVE
20	011580-000		MOLD & HEATER ASSEMBLY
21	N/A		HEAT SHIELD - MUST ORDER ITEM NO. 11
22	050524-000		CUP, WATER FILL
23	011582-000		ICE EJECTOR
24	022659-000		ICE STRIPPER
25	011584-000		SUPPORT, HOUSING
26	011585-000		RETAINER, THERMOSTAT
27	011586-000		THERMOSTAT
28	050442-000		SCREW
29	050432-000		SUPPORT, VALVE
30	011579-000		SCREW
32	021386-000		MODULE ASSEMBLY (INCLUDES MOTOR AND SCREW)
33	050462-000		SCREW
34	050342-000		CLAMP, TUBE
100	050484-000		COMPLETE ICEMAKER ASSEMBLY