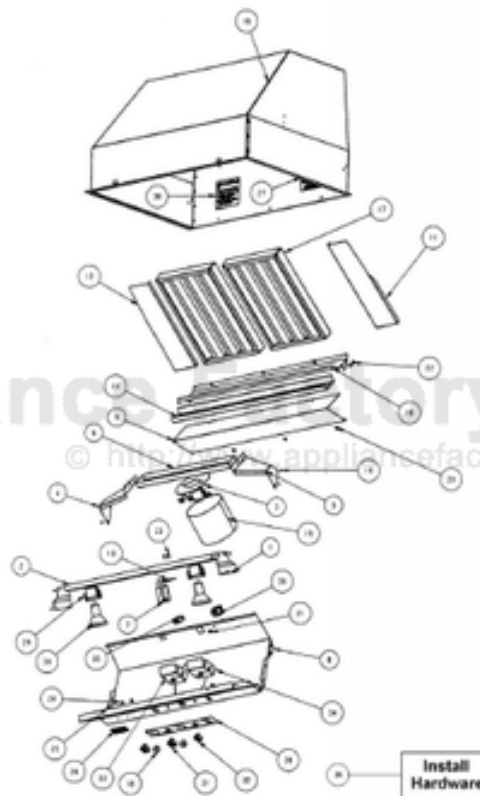


This Owner's Manual is provided and hosted by Appliance Factory Parts.



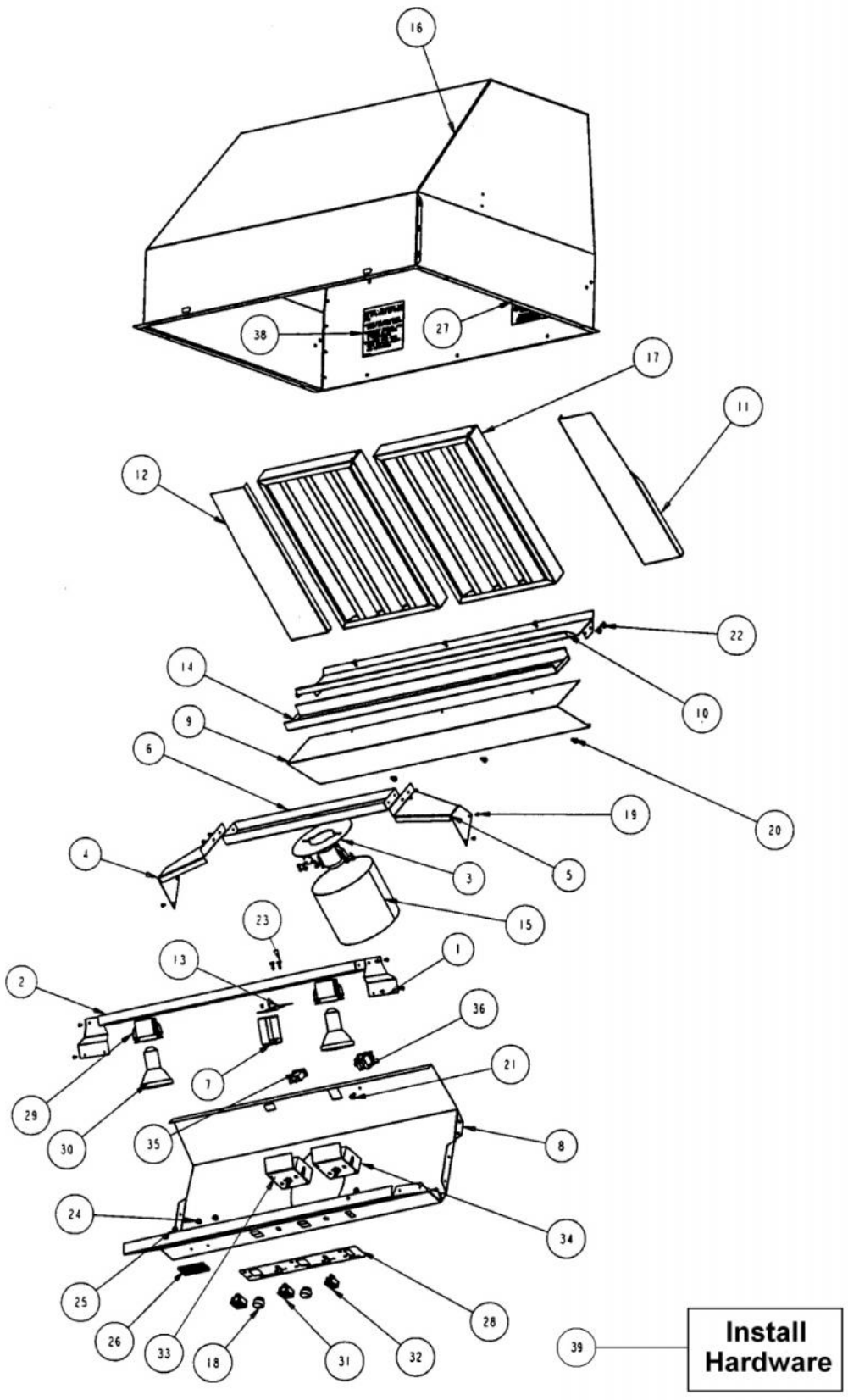
VIKING VBCV3038 Owner's Manual

[Shop genuine replacement parts for VIKING VBCV3038](#)



[Find Your VIKING Range Hoods Parts - Select From 411 Models](#)

----- Manual continues below -----



Ref #	Part Number	Qty.	Description
1	A20011005		BOTTOM LIGHT SUPT BRKT (VWH/VBCV/VCWH)
2	A20011079		BOTTOM LIGHT SUPT (VWH/VBCV/VCWH30)
3	A2003889		COWLING BRKT
4	A2009300		LH LIGHT SUPPORT TOP (VCWH)
5	A2009301		RH LIGHT SUPPORT TOP (VCWH)
6	A2009302		LIGHT SUPPORT TOP (VCWH3048)
7	A2103810		THERMODISC BRACKET
8	B20010286		CONTROL PANEL (VBCV30)
9	B20011041		REAR FILTER SUPT BOTTOM (VBCV30)
10	B20011043		REAR FILTER SUPT TOP (VBCV30)
11	B20012413		RH SIDE SPACER (VBCV3038)
12	B20012414		LH SIDE SPACER (VBCV3038)
13	B2003837		HEAT SENSOR BRKT
14	B2003849		GREASE TROUGH (VWH3048/78)
15	B2003888		HEAT LAMP COWLING (18 HIGH HOODS)
16	NOT REPLACEABLE		OVEN CAVITY (NOT REPLACEABLE PART)
17	G3108724		BAFFLE FILTER ASSY (VWH2448) 9.625 X 14
18	PA010071		LIGHT/MOTOR CONTROLLER KNOB
19	PC040010		POP RIVET
20	PD020004		10X3/8PH.HD.TYPE 25 REPL PD040125
21	PD020010		10 X 3/8 GREEN GROUNDING SCREW
22	PD020032		SRW-8(A)X3/8PH.WFR HD 7/16DIAXNICL
23	PD020087		10 X 1/2 PAN PH. TEK ZINC
24	PD030006		CAPPED WASHER PAL NUT
25	PD030010		NO.10-24 KEPS NUT
26	PE010165		VIKING CHROME PLATE LOGO
27	PE020058		RATING LABEL (ADHESIVE)
28	PE040133		CONTROL PANEL PLATE
29	PE050032		LIGHT SOCKET, (571V)
30	PE050034		HALOGEN BULB 50W
31	PE050048		FAN/LIGHT SWITCH (HOODS) EP0M11J
32	PE050050		HEAT LAMP SWITCH (A111B1100000)
33	PE050141		PRO LIGHT CONTROL
34	PE050156		PRO BLOWER CONTROL
35	PE070196		FEMALE SOCKET (2 PRONG)
36	PE070197		MALE SOCKET (3 PRONG)
37	PE070366		WIRE HARNESS
38	PF030337		HOOD WARNING LABEL
39	PD020016		10X1 1/2 WOOD SCREWS
			INSTALL HARDWARE - QTY. 5
NI	PD020139		NO.8 X 1/2 P.H. FLAT TOP TRUSS U/C NO.2 TYPE AB 30 SS/...
			INSTALL HARDWARE - QTY. 7
NI	PD030010		NO.10-24 KEPS NUT
			INSTALL HARDWARE - QTY. 4
NI	PD020010		10 X 3/8 GREEN GROUNDING SCREW
			INSTALL HARDWARE - QTY. 1



Ref #	Part Number	Qty.	Description
-------	-------------	------	-------------
