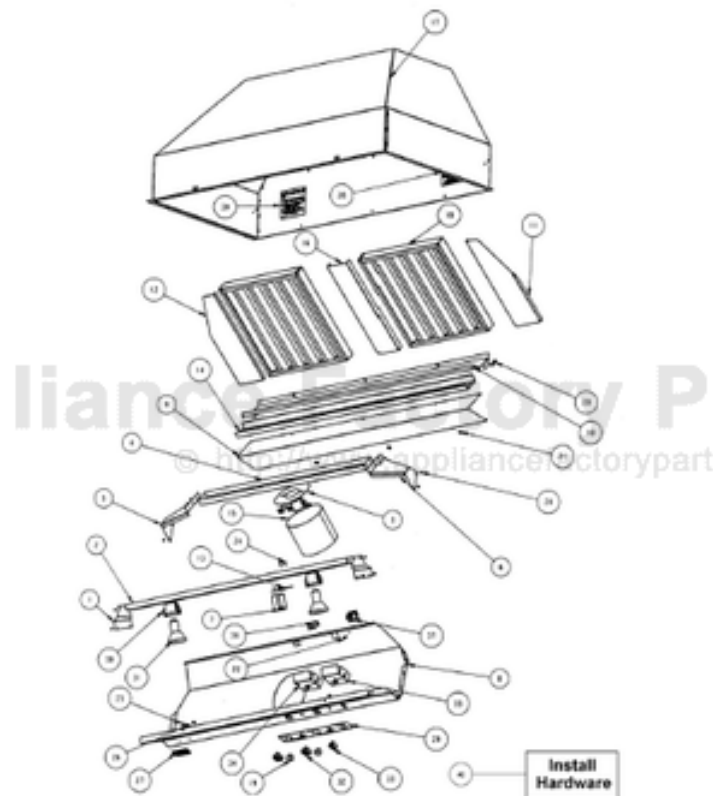


This Owner's Manual is provided and hosted by [Appliance Factory Parts](#).



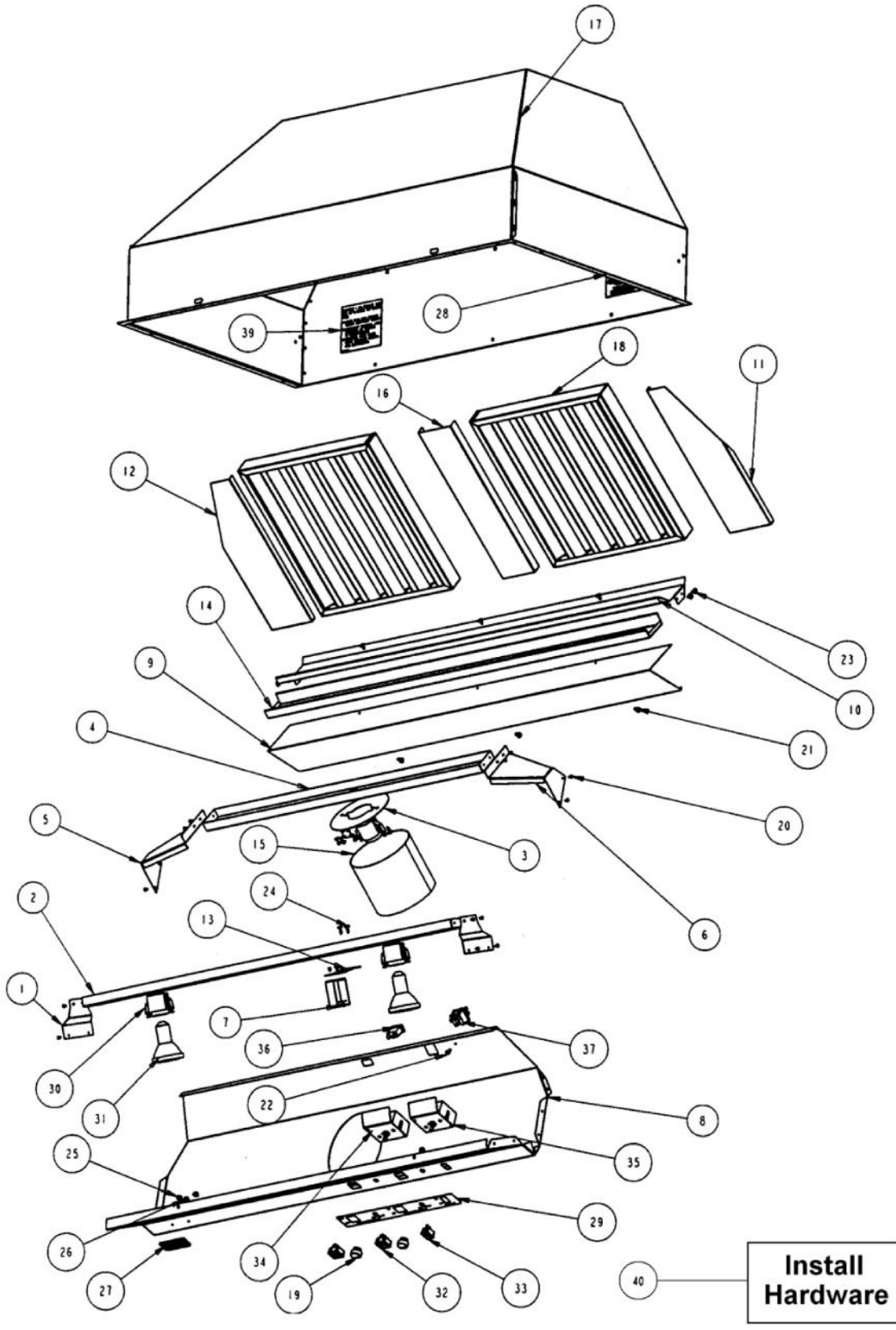
VIKING VBCV4238 Owner's Manual

[Shop genuine replacement parts for VIKING VBCV4238](#)



[Find Your VIKING Range Hoods Parts - Select From 411 Models](#)

----- Manual continues below -----



Ref #	Part Number	Qty.	Description
1	A20011005		BOTTOM LIGHT SUPT BRKT (VWH/VBCV/VCWH)
2	A20011081		BOTTOM LIGHT SUPT (VWH/VBCV/VCWH42)
3	A2003889		COWLING BRKT
4	A2003904		TOP LIGHT SUPPORT
5	A2009300		LH LIGHT SUPPORT TOP (VCWH)
6	A2009301		RH LIGHT SUPPORT TOP (VCWH)
7	A2103810		THERMODISC BRACKET
8	B20010297		CONTROL PANEL (VBCV42)
9	B20011029		FILTER SUPPORT BTM (VCWH42)
10	B20011075		REAR FILTER SUPT TOP (VBCV42)
11	B20012415		RH SIDE SPACER (VBCV4238)
12	B20012416		LH SIDE SPACER (VBCV4238)
13	B2003837		HEAT SENSOR BRKT
14	B2003887		GREASE TROUGH (VWH4248)/78
15	B2003888		HEAT LAMP COWLING (18 HIGH HOODS)
16	B2008746		FILTER SPACER (VCWH4248) 3.3 X 14
17	NOT REPLACEABLE		OVEN CAVITY (NOT REPLACEABLE PART)
18	G3104046		BAFFLE FILTER ASSY (18 HOODS) 13.375 X 14
19	PA010071		LIGHT/MOTOR CONTROLLER KNOB
20	PC040010		POP RIVET
21	PD020004		10X3/8PH.HD.TYPE 25 REPL PD040125
22	PD020010		10 X 3/8 GREEN GROUNDING SCREW
23	PD020032		SRW-8(A)X3/8PH.WFR HD 7/16DIAXNICL
24	PD020087		10 X 1/2 PAN PH. TEK ZINC
25	PD030006		CAPPED WASHER PAL NUT
26	PD030010		NO.10-24 KEPS NUT
27	PE010165		VIKING CHROME PLATE LOGO
28	PE020058		RATING LABEL (ADHESIVE)
29	PE040133		CONTROL PANEL PLATE
30	PE050032		LIGHT SOCKET, (571V)
31	PE050034		HALOGEN BULB 50W
32	PE050048		FAN/LIGHT SWITCH (HOODS) EP0M11J
33	PE050050		HEAT LAMP SWITCH (A111B1100000)
34	PE050141		PRO LIGHT CONTROL
35	PE050156		PRO BLOWER CONTROL
36	PE070196		FEMALE SOCKET (2 PRONG)
37	PE070197		MALE SOCKET (3 PRONG)
38	PE070366		WIRE HARNESS
39	PF030337		HOOD WARNING LABEL
40	PD020016		10X1 1/2 WOOD SCREWS
NI	PD020139		INSTALL HARDWARE - QTY. 5 NO.8 X 1/2 P.H. FLAT TOP TRUSS U/C NO.2 TYPE AB 30 SS/...
NI	PD030010		INSTALL HARDWARE - QTY. 8 NO.10-24 KEPS NUT
NI	PD020010		INSTALL HARDWARE - QTY. 4 10 X 3/8 GREEN GROUNDING SCREW
			INSTALL HARDWARE - QTY. 1



Ref #	Part Number	Qty.	Description
-------	-------------	------	-------------
