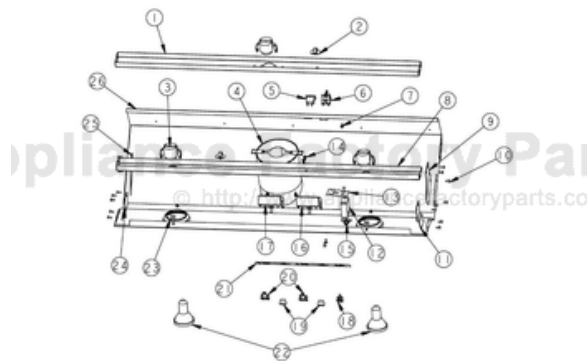


This Owner's Manual is provided and hosted by [Appliance Factory Parts](http://ApplianceFactoryParts.com).



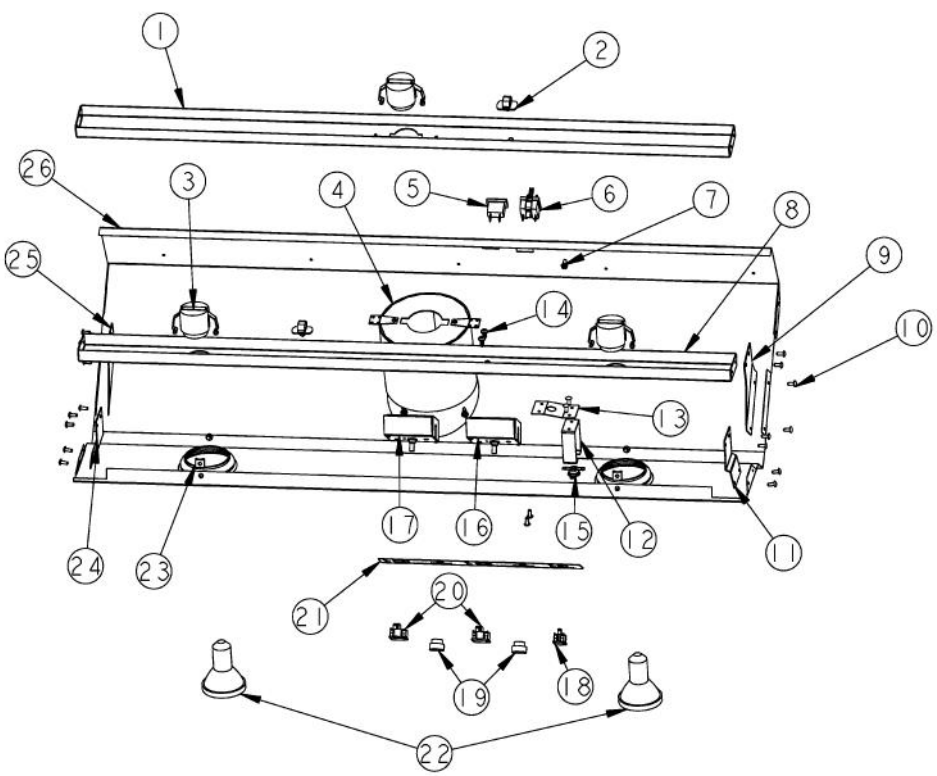
VIKING VWH4278 Owner's Manual

[Shop genuine replacement parts for VIKING VWH4278](#)

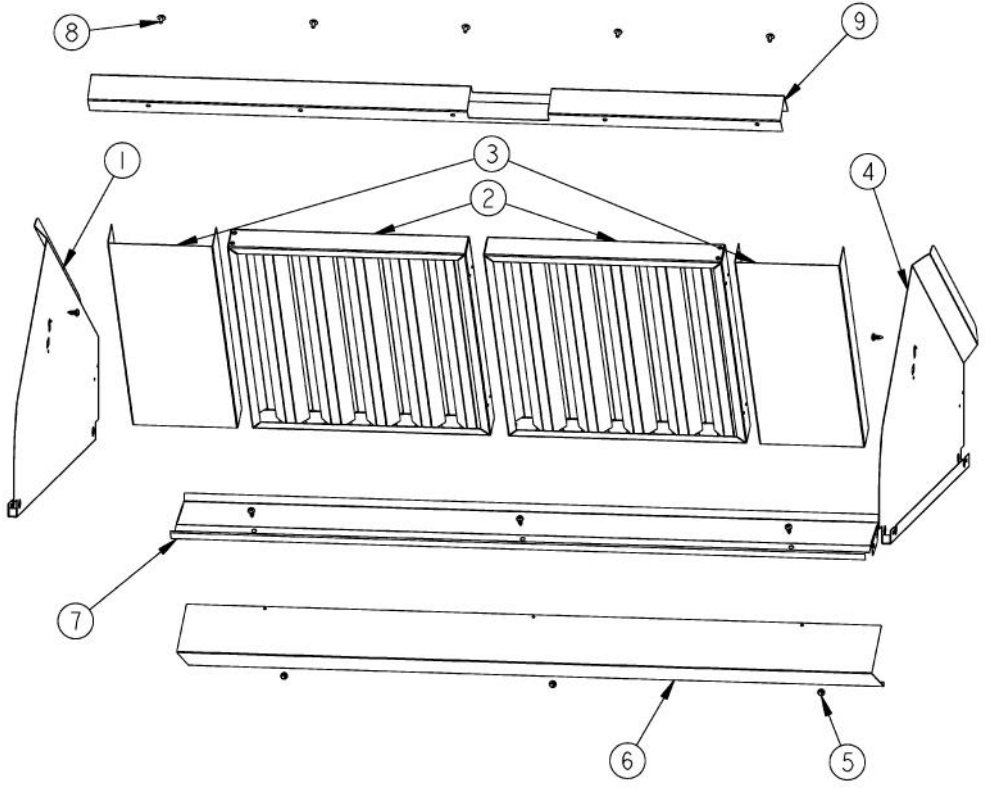


[Find Your VIKING Range Hoods Parts - Select From 411 Models](#)

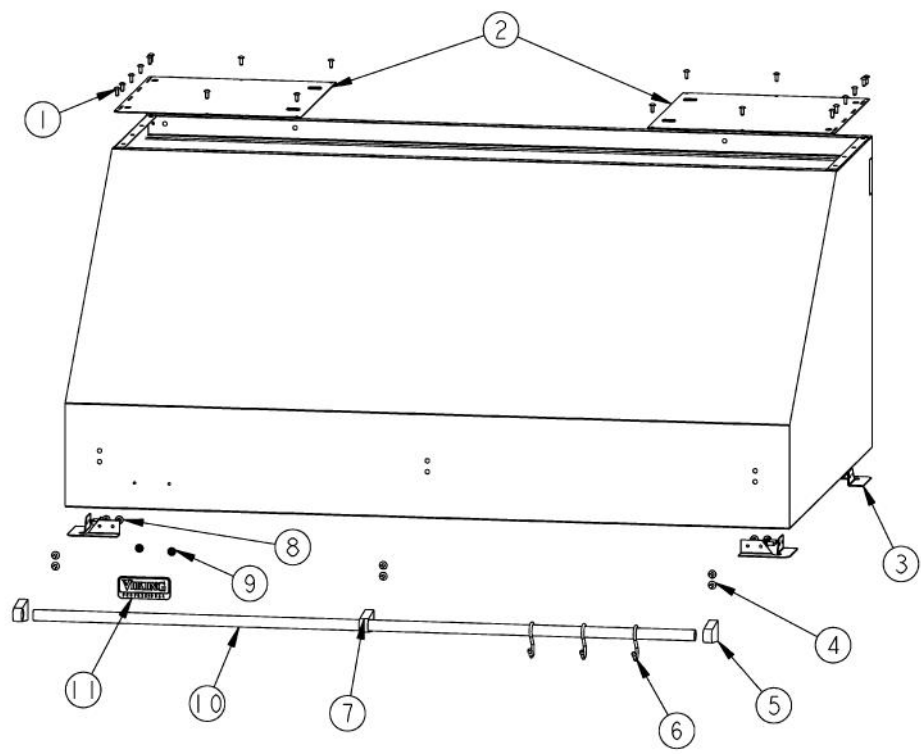
----- Manual continues below -----



Ref #	Part Number	Qty.	Description
1	A20012430		HEAT LAMP SUPPORT (VWH42)
2	PE070214		DART CLIP
3	PE050032		LIGHT SOCKET, (571V)
4	G31012427		HEAT LAMP COWLING ASSY
5	PE070196		FEMALE SOCKET (2 PRONG)
6	PE070197		MALE SOCKET (3 PRONG)
7	PD020010		10 X 3/8 GREEN GROUNDING SCREW
8	A20011081		BOTTOM LIGHT SUPT (VWH/VBCV/VCWH42)
9	A20016144		HEAT LAMP LIGHT BRACKET - RH
10	PC040010		POP RIVET
11	A20016148		LIGHT SUPT BRKT BTM (VWH)
12	A2003810		THERMODISC BRACKET
13	B2003837		HEAT SENSOR BRKT
14	PD020087		10 X 1/2 PAN PH. TEK ZINC
15	PJ030014		HEAT SENSOR (N.O.) 160 DEG.
16	PE050156		PRO BLOWER CONTROL
17	PE050141		PRO LIGHT CONTROL
18	PE050050		HEAT LAMP SWITCH (A111B1100000)
19	PA010071		LIGHT/MOTOR CONTROLLER KNOB
20	PE050048		FAN/LIGHT SWITCH (HOODS) EP0M11J
21	PE040133		CONTROL PANEL PLATE
22	PE050034		HALOGEN BULB 50W
23	PD030059		TINNERMAN CLIP
24	A20016147		LIGHT SUPPORT BRACKET - LH
25	A20016143		HEAT LAMP LIGHT BRACKET - LH
26	B20010214		CONTROL PANEL FORMED (VWH4248)



Ref #	Part Number	Qty.	Description
1	B20012493		I/S SIDE -LH
2	G3104046		BAFFLE FILTER ASSY (18 HOODS) 13.375 X 14
3	B2003864		FILTER SPACER
4	B20012492		I/S SIDE - RH
5	PD020087		10 X 1/2 PAN PH. TEK ZINC
6	B20011029		FILTER SUPPORT BTM (VCWH42)
7	B20011030		FILTER SUPPORT TOP (VCWH42)
8	PD020032		SRW-8(A)X3/8PH.WFR HD 7/16DIAXNICL
9	B20012463		FILTER SUPPORT BRACKET



Ref #	Part Number	Qty.	Description
1	PC040010		POP RIVET
2	G30013927		HOOD TOP ASSY (VWH4248/78)
3	A2103817		CORNER BRACKET
4	PD010003		10-24 X 1/2 PH.TR.HD.SERD.M.S.
5	PE030054		END CAP - SS
	PE030055		END CAP - BR
6	PE030076		CHROME S HOOKS REPL PV100012SS
	PE030077		BR `S` HOOKS REPL PV100012BR
7	PE030052		SUPPORT TUBE, HOLE THROUGH
	PE030053		MIDDLE RAIL SUPPORT - BR
8	PD020002		10 X 1/2 PH.TR.HD.SMS.
9	PD030006		CAPPED WASHER PAL NUT
10	PE030121		ACCESSORY RAIL - SS
	F0003870		42 - XBRX CUT TO SIZE FRONT/REAR R
11	PE010142		3 LOGO XBKXXCHROME
	PE010143		3 LOGO BK/BR
	PE010144		3 LOGO XWHXCHROME
	PE010145		LOGO - WH / BR



WARNING - TO REDUCE THE RISK OF A RANGE TOP GREASE FIRE:

A-KEEP FAN AND GREASE LADEN SURFACES CLEAN

B-FREQUENT REMOVAL AND CLEANING OF FILTERS IS RECOMMENDED.

C-EXERCISE CARE WHEN USING CLEANING AGENTS AND DETERGENTS

PF030337

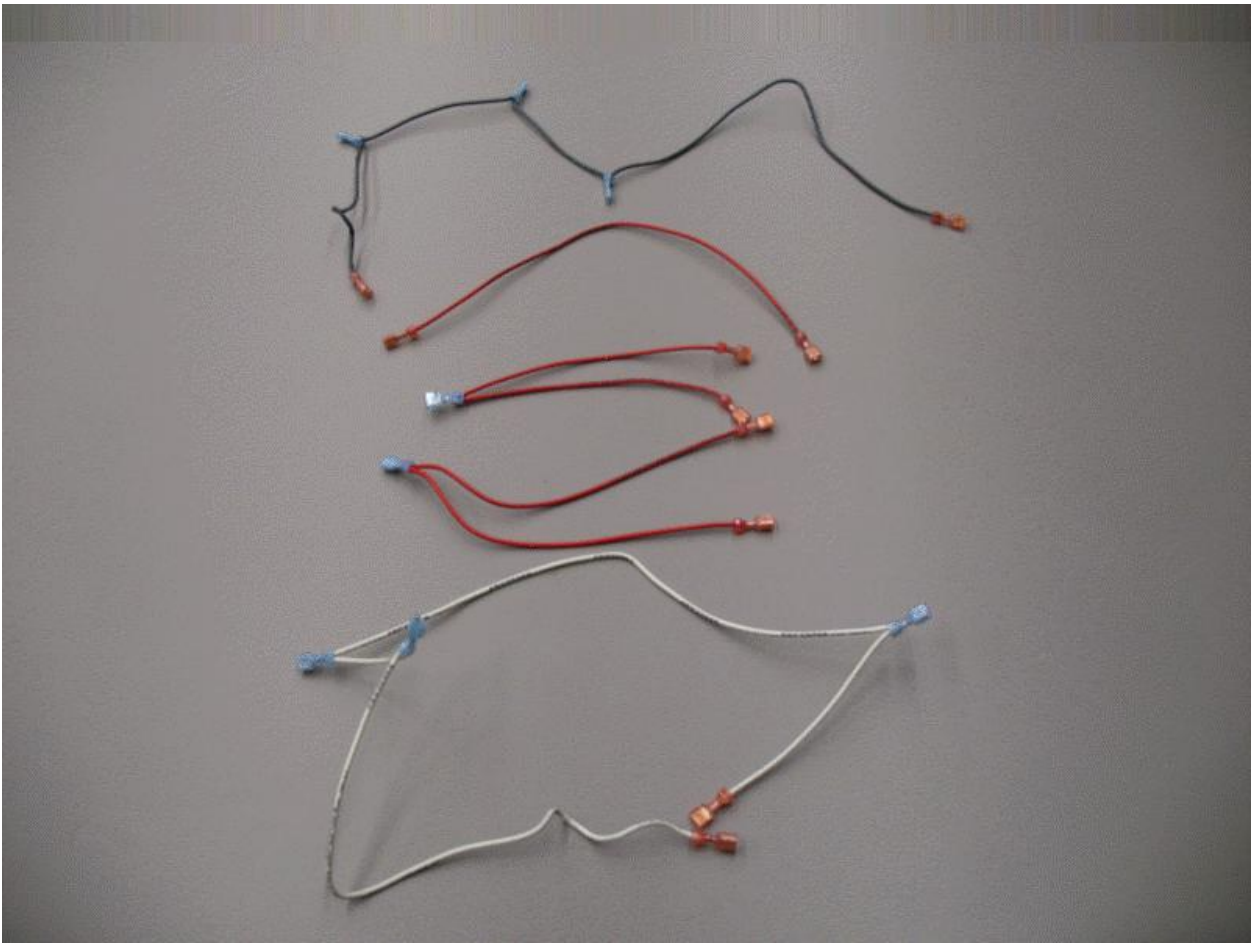


MODEL *		PE020058
SERIAL *		ELECTRIC FAN
BLOWER	HT. LAMP	MAX AMPS * 120V/60HZ

 **VIKING RANGE CORP.** 
GREENWOOD, MISSISSIPPI 38930 USA

30" MIN. CLEARANCE ABOVE COOKING SURFACE
 SUITABLE FOR IN HOUSEHOLD COOKING AREA.
 FOR MODELS WITH HEAT LAMPS, MAXIMUM HEAT LAMP
 WATTAGE - 250 WATTS PER LAMP. ALL OTHER LIGHT
 TO BE MAXIMUM 50 WATTS PER LAMP.

Ref #	Part Number	Qty.	Description
1	PF030337		HOOD WARNING LABEL
2	PE020058		RATING LABEL (ADHESIVE)



Ref #	Part Number	Qty.	Description
1	PE070366		WIRE HARNESS