

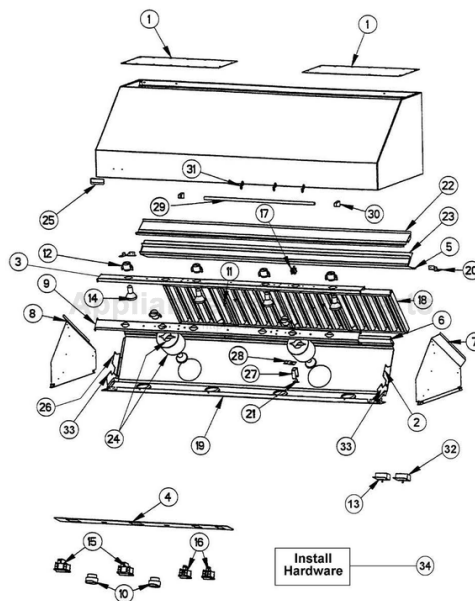
This Owner's Manual is provided and hosted by [Appliance Factory Parts](#).



# VIKING VWH5478 Owner's Manual

[Shop genuine replacement parts for VIKING VWH5478](#)

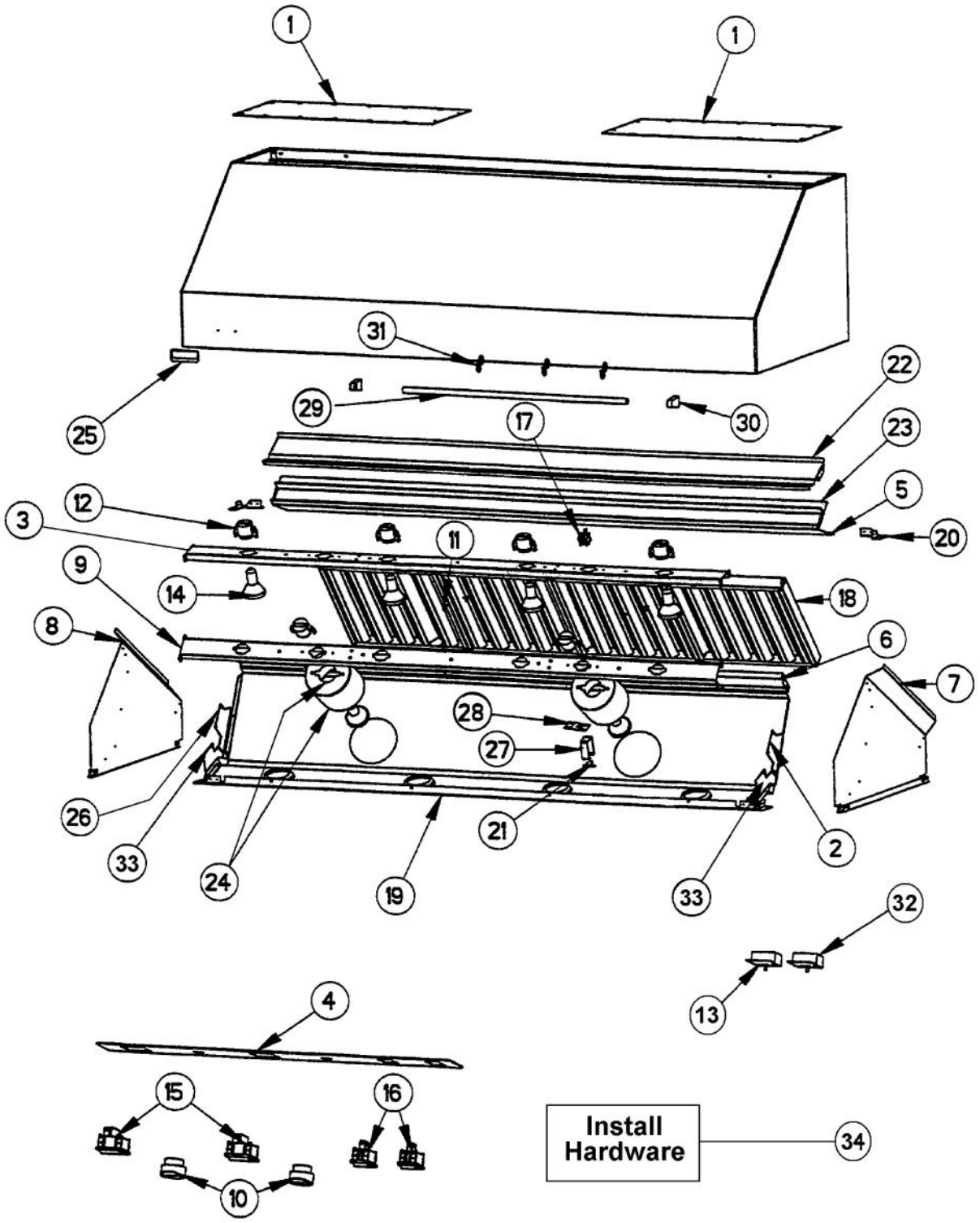
VWH5478 : 001 - VWH 5478 ASSY. [1/2]



Page 1 of 5

[Find Your VIKING Range Hoods Parts - Select From 411 Models](#)

----- Manual continues below -----



Ref #	Part Number	Qty.	Description
1	G30013929		HOOD TOP ASSY (VWH5448/78)
2	A2003880		LIGHT SUPT BRACKET RH (27 HOODS) (AFTER 12/14/04)
3	A20011082		BOTTOM LIGHT SUPT (VWH/VBCV/VCWH54)
4	PE040134		CONTROL PANEL PLATE
5	B2004026		HOOD FILTER SUPT BTM (VWH5448/5478) (BEFORE 2/21/05)
	B20011022		FILTER SUPPORT BOTTOM (AFTER 2/21/05)
6	B2003922		CTRL PAN TOP (VWH5448)
7	B2003989		HOOD I/S SIDE LH (27 DEEP) (BEFORE 2/21/05)
7	B20012493		I/S SIDE -LH (AFTER 2/21/05)
8	B2003988		HOOD I/S SIDE RH (27 DEEP) (BEFORE 2/21/05)
8	B20012492		I/S SIDE - RH (AFTER 2/21/05)
9	A20012432		HEAT LAMP SUPPORT (VWH54)
10	PA010071		LIGHT/MOTOR CONTROLLER KNOB
11	PD010037		NO.10-24 WELD STUD (PART OF ITEM NO. 1)
12	PE050032		LIGHT SOCKET, (571V)
13	PE050141		PRO LIGHT CONTROL
14	PE050034		HALOGEN BULB 50W
15	PE050048		FAN/LIGHT SWITCH (HOODS) EP0M11J
16	PE050050		HEAT LAMP SWITCH (A111B1100000)
17	PE070197		MALE SOCKET (3 PRONG)
NI	PE070196		FEMALE SOCKET (2 PRONG)
18	G3104046		BAFFLE FILTER ASSY (18 HOODS) 13.375 X 14
19	B2004024		CTRL PAN FORMED (VWH5478) (BEFORE 10/01/03)
	B20010216		CONTROL PANEL FORMED (VWH5478) (AFTER 10/01/03)
20	A2003817		CORNER BRACKET
21	PJ030014		HEAT SENSOR (N.O.) 160 DEG.
22	B2004027		HOOD FILTER SUPT TOP (VWH5448/5478) (BEFORE 2/21/05)
22	B20011026		FILTER SUPPORT TOP (AFTER 2/21/05)
23	B2003925		GREASE TROUGH (VWH5448/78/VIH54)
24	G31012427		HEAT LAMP COWLING ASSY
NI	PD020004		10X3/8PH.HD.TYPE 25 REPL PD040125
NI	PC040010		POP RIVET
NI	PD020010		10 X 3/8 GREEN GROUNDING SCREW
NI	PD030044		10-24 KEPS NUT SS
NI	PD020009		10 X 1 PH. HD. PAN HD. SMS
NI	B2003917		FILTER SPACER (VWH5448/78) 5.25 X 14
NI	PD030059		TINNERMAN CLIP
25	PE010142		3 LOGO XBKXXCHROME
25	PE010143		3 LOGO BK/BR
25	PE010144		3 LOGO XWHXCHROME
25	PE010145		LOGO - WH / BR
NI	PD030006		CAPPED WASHER PAL NUT
26	A20010250		BOTTOM LIGHT SUPPORT BRACKET - LH (AFTER 12/14/04)
27	A2003810		THERMODISC BRACKET
28	B2003837		HEAT SENSOR BRKT
29	F0003875		ACCESSORY RAIL - SS
29	F0003871		54 BRASS ACCESSORY RAIL

Ref #	Part Number	Qty.	Description
29	F0003871		54 BRASS ACCESSORY RAIL
NI	PE030052		SUPPORT TUBE, HOLE THROUGH
NI	PE030053		MIDDLE RAIL SUPPORT - BR
30	PE030054		END CAP - SS
30	PE030055		END CAP - BR
31	PE030076		CHROME S HOOKS REPL PV100012SS
31	PE030077		BR `S` HOOKS REPL PV100012BR
NI	J4003912		WIRING HARNESS (VWH4848)
32	PE050156		PRO BLOWER CONTROL
33	A20011005		BOTTOM LIGHT SUPT BRKT (VWH/VBCV/VCWH)
34	PD030010		NO.10-24 KEPS NUT
			INSTALLATION HARDWARE - QTY. 4
NI	PD020009		10 X 1 PH. HD. PAN HD. SMS
			INSTALLATION HARDWARE - QTY. 6
NI	B20012465		FILTER SUPPORT BRACKET

*No Image  
Available*

Ref #	Part Number	Qty.	Description
NI	PE070367	1	VWH4848/78 - 5448/78 WIRING HARNESS