

This Owner's Manual is provided and hosted by [Appliance Factory Parts](#).



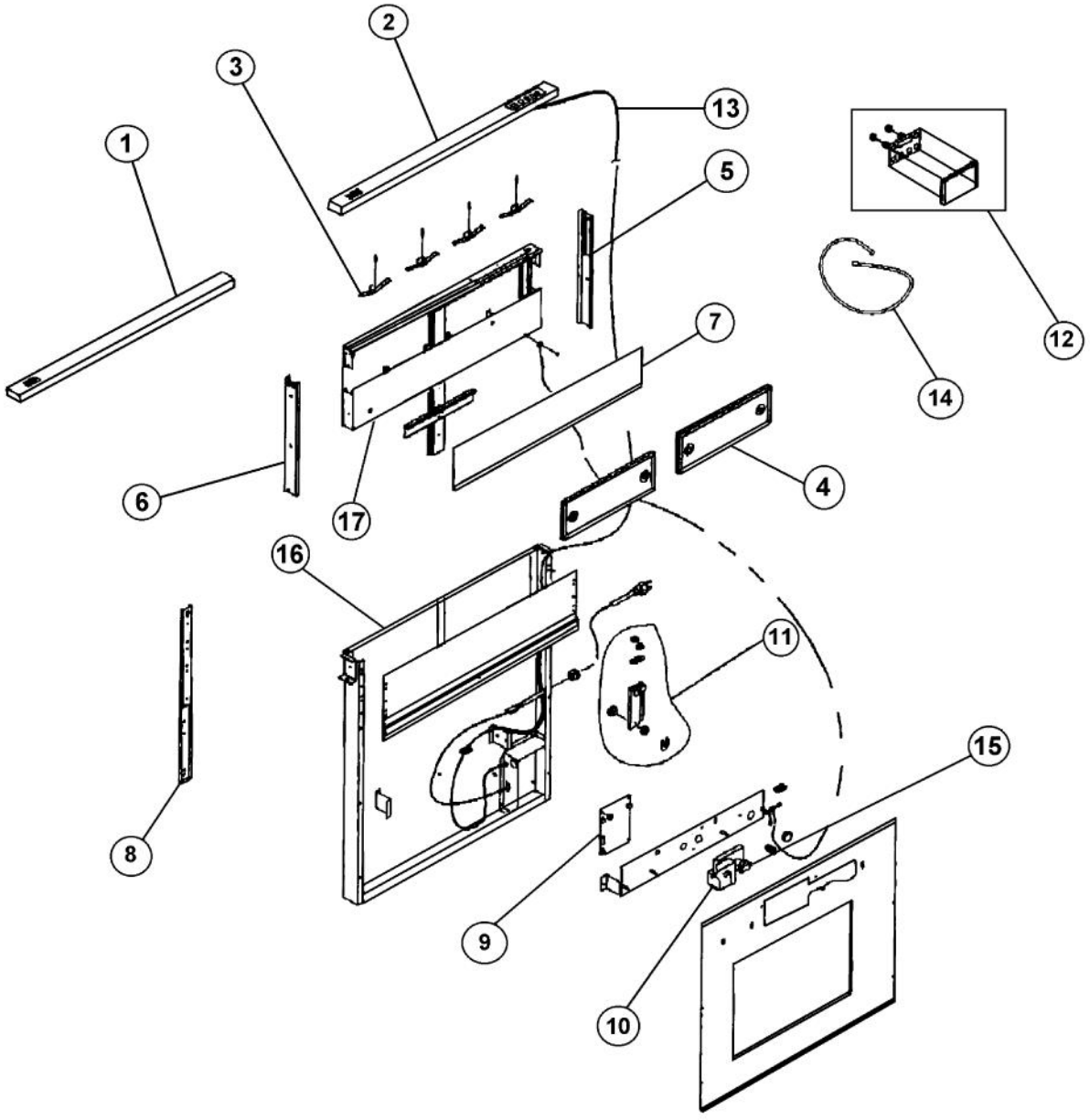
VIKING VIPR161 Owner's Manual

[Shop genuine replacement parts for VIKING VIPR161](#)



[Find Your VIKING Range Hoods Parts - Select From 411 Models](#)

----- Manual continues below -----



Ref #	Part Number	Qty.	Description
1	PV300232		TOP COVER ASSEMBLY - REMOTE (BEFORE 02/04) (BEFORE 02/04)
	PS200003		TOP COVER ASSY - WIDE (AFTER 02/04)
2	PV300229		TOP COVER ASSEMBLY (BEFORE 02/04) (BEFORE 02/04)
3	PV300154		DNDFT FLTR KT 97015504 RE
4	PV300186		FILTER ASSY (97015535)
5	PV300115		RIGHT END CAP
6	PV300116		LEFT END CAP
7	PV300118		TRIM PANEL
8	PV300120		CHIMNEY SLIDE
9	PV300121		PCB DOWN DRAFT LOWER 97015510
10	PV300122		GEAR MOTOR
11	PV300123		CRANK ASSEMBLY
12	PV300124		REMOTE ASSEMBLY 97015513
13	PV300125		TOUCH PAD SWITCH HARNESS 97015514
14	PV300148		REMOTE CABLE 97015545
15	PD210015		SWITCH-DOWN DRAFT (S97015839)
NI	PV300182		UP/DOWN CONTROL ASSEMBLY
16	PV300171		36 MAIN BACK ASSY 97015277
17	PV300168		36 CHIMNEY & SLIDE ASSY 97014963
NI	PV300164		GASKET FELT 36 VIPR161 99100536
NI	PV300166		INSTALLATION HARDWARE 97011305
NI	020294-000		SRV ASSY. AIRBOX CLAMP, 30N & 36N
NI	PV300197		POWER CORD ASSEMBLY