

This Owner's Manual is provided and hosted by [Appliance Factory Parts](#).



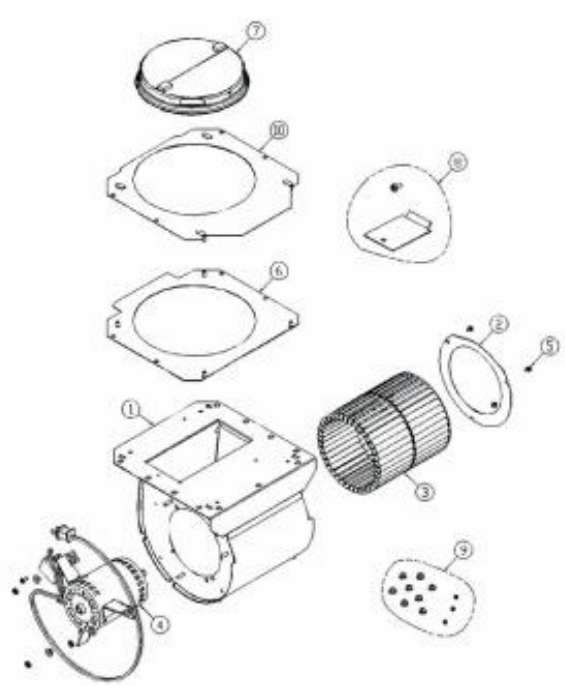
# VIKING DIV300 Owner's Manual

[Shop genuine replacement parts for VIKING DIV300](#)



[Find Your VIKING Range Hoods Parts - Select From 411 Models](#)

----- Manual continues below -----



Ref #	Part Number	Qty.	Description
1	PV300157		PAINTED SCROLL WELDMENT DIV440
2	PV300161		INLET RING DIV440/880 S97015645
3	PV300159		WHEEL - DIV440/8800
4	PV300216		MOTOR (DIV300)
5	PV300065		HEX SCREW, NO.8-16 X 3/8 (97015701)
6	PV300217		MOUNTING PLATE (DIV300) (S97016327) (FOR USE WITH ALL MODELS OTHER THAN VCWH)
7	PV300104		7 DAMPER 97015491 REPLACES PV300098
8	PV300156		ELECTRICAL BOX COVER
9	PV300152		FASTENER PACK DIV600 97015469
10	PV300235		MOUNTING PLATE (FOR USE WITH VCWH MODELS ONLY)