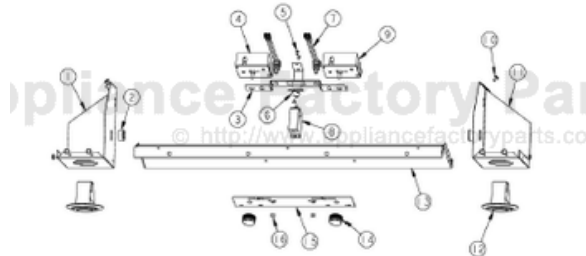


This Owner's Manual is provided and hosted by [Appliance Factory Parts](http://www.appliancefactoryparts.com).



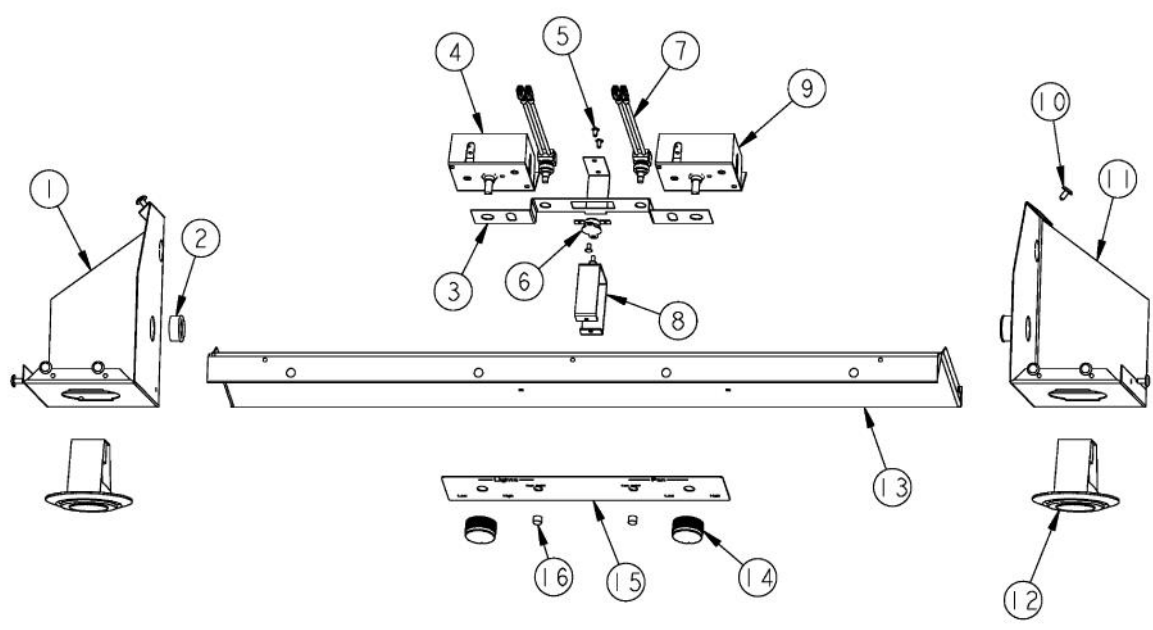
VIKING DPPV3682 Owner's Manual

[Shop genuine replacement parts for VIKING DPPV3682](#)

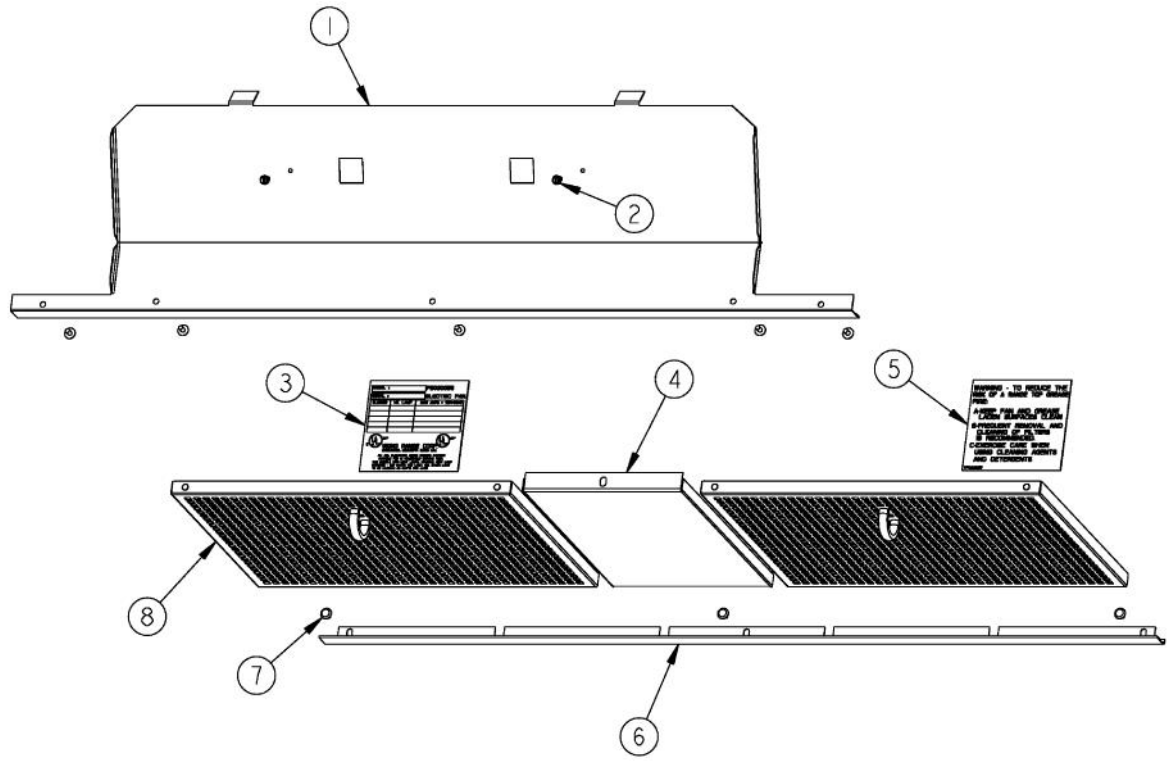


[Find Your VIKING Range Hoods Parts - Select From 411 Models](#)

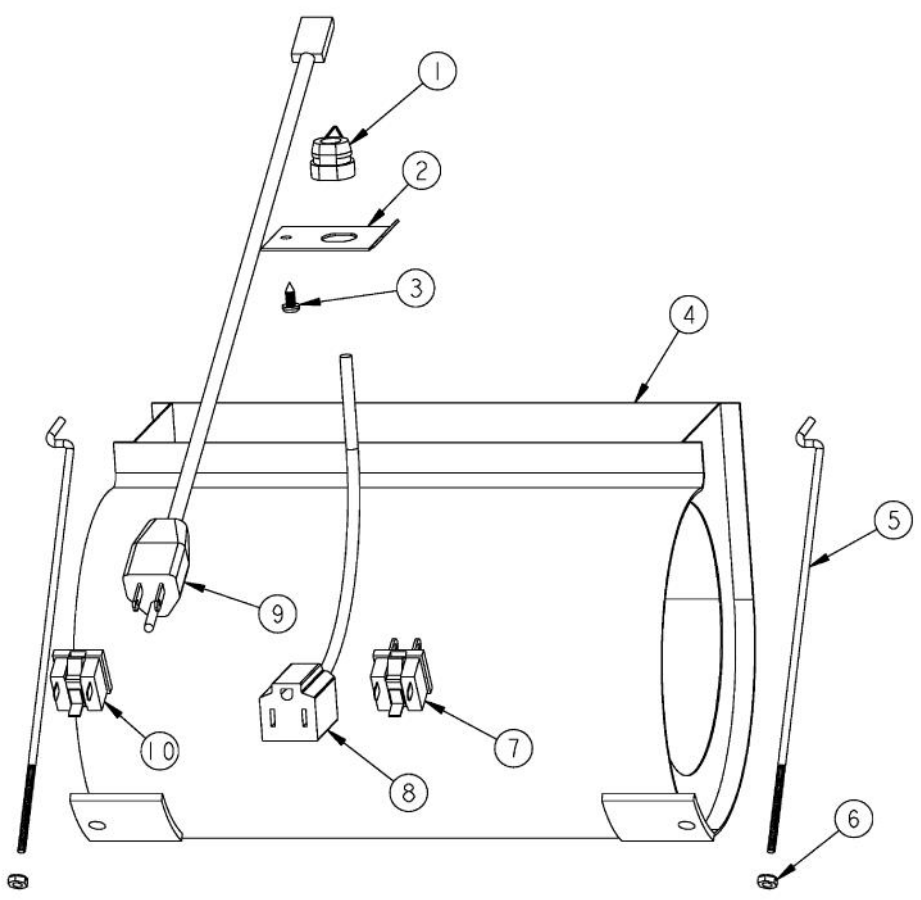
----- Manual continues below -----



Ref #	Part Number	Qty.	Description
1	B2008710		36 HOOD I/S SIDE LH DBCV3682
2	PD040005		SNAP BUSHING - 7/8
3	A20010270		LT/FAN SWITCH BRKT (DCH30/36)
4	PE050170		LIGHT CONTROL (VIH54/66 DCH30/36 VCIH54/66)
5	PC040010		POP RIVET
6	PJ030014		HEAT SENSOR (N.O.) 160 DEG.
7	PE050168		DCH FAN/LIGHT SWITCH (DCH30/36)
8	A2103810		THERMODISC BRACKET
9	PE050169		BLOWER CONTROL (DCH30/36)
10	PD020032		SRW-8(A)X3/8PH.WFR HD 7/16DIAXNICL
11	B2008709		36 HOOD I/S SIDE RH DBCV3682
12	PE050064		LIGHT ASSEMBLY
13	000061-002		CONTROL PANEL
14	PA010089		KNOB (DESIGNER SERIES HOOD)
15	PE040232		CONTROL PANEL W/ GRAPHICS (DCH30/36)
16	PA010093		DESIGNER OVEN LT SWITCH KNOB



Ref #	Part Number	Qty.	Description
1	000062-000		CONTROL PANEL TOP
2	PD020010		10 X 3/8 GREEN GROUNDING SCREW
3	PE020058		RATING LABEL (ADHESIVE)
4	B2008199		FILTER SPACER DBCV3682 6.5 X 10.75
5	PF030337		HOOD WARNING LABEL
6	B2008180		36 FILTER SUPPORT DBCV3682
7	PD020032		SRW-8(A)X3/8PH.WFR HD 7/16DIAXNICL
8	G31010268		FILTER ASSEMBLY (DESIGNER) 13.848 X 10.375



Ref #	Part Number	Qty.	Description
1	PE070204		HEYCO STRAIN RELIEF - 7-P2
2	A2003826		ROUGH IN BOX COVER (VWH30/3610)
3	PD020087		10 X 1/2 PAN PH. TEK ZINC
4	PE050042		BLOWER INT 460 CFM 97007542
5	PD010035		BLOWER MTG ROD NO.10-24 99420464
6	PD030010		NO.10-24 KEPS NUT
7	PE070197		MALE SOCKET (3 PRONG)
8	PE070205		3 PRONG FEMALE SUPPLY CORD
9	PE070542		3-PRONG MALE CORD W/AMP CON
10	PE070541		3-PRONG FEMALE SOCKET